



AGRO POWER APPLICATION GUIDE



Edition 2020

HIGH-TECH MACHINES REQUIRE HIGH-TECH DRIVE TECHNOLOGY

The company Optibelt has been manufacturing drive belts in the most diverse designs since 1948 – based on over one hundred years of experience in rubber processing. Due to constant investments in material research and production technology as well as to the increasing knowledge about the basic conditions which are linked to the various application areas, the performance limits of machines have been shifted via the advancement of the belts to the high-tech drive elements of today.

Optibelt AGRO POWER QUALITY BELTS MADE BY OPTIBELT

Bigger, faster, further – extraordinary top performances have always fascinated people in all areas of technology. Again and again, engineers, scientists and researchers are going beyond the limits of feasibility.

However, what is it that drives us to develop something unique?

Why do we always want to be one step ahead of competition?

Our motivation lies in passion and precision. Brand-name products by Optibelt are an active investment protection for you.

As our drive belts stay invisible in your products, we add what is often missing elsewhere: responsibility and quality.

Day by day, we set examples with our top products, the Optibelt AGRO POWER series, and make sure that the best solution is implemented for every application. Everywhere around the world.

HOW WE GET OUR DRIVE

Optibelt is characterised by this passion for technology.

Every employee adds her/his special knowledge, enthusiasm, visions and initiatives for technological advance on the highest level. That you can be sure of!

No machines without drive technology. If you imagine the modern world without drive technology, there would not be much left operating. Without drive technology machines would be unthinkable. Drive technology makes sure that the primary power of an engine is transformed for diverse working processes and thus made usable. Here, it is most important that the power of the engine is adapted to the process with help of the functional elements.

First and foremost, the belts are the central and most efficient element of it all. They stretch almost all shaft distances at comparably low costs and low maintenance. And they achieve this without lubrication or guidance elements.

Thus, drive technology with belts is far superior to roller chain drives or spur wheel sections. The diverse application areas, their adaptability and economy have made belt drives become an essential part of mechanical engineering in all sectors.

HOW WE FOSTER OUR COMPANY VALUES

Internationally, Optibelt is highly estimated and represents excellent brand quality – made in Germany.

This rating is not least the result of our believe, as a family-run company, in our roots in Höxter and thus, in the location Germany.

In addition to that, the company history of Optibelt is closely linked with groundbreaking technical developments: from industrialisation to the automated world.

Optibelt has faced each of these milestones with clear sight and pioneer spirit.

This interaction of tradition and innovativeness characterises the key values of our company. For over 145 years now.

We are keeping our company philosophy even as a modern company: in our international distribution companies as well as in our production and service companies. Here, the training and further education is the key factor for the consistent quality that you can always expect from our products. Your advantage: We exceed the standards of our competitors by far and meet requirements such as just-in-time production, on-stock availability, customer proximity, support and flexibility with ease and commitment.

Because your drive drives us!

CONTENTS



AGCO	12
BISO	33
BIZON	35
CASE INTL. HARVESTER	36
CLAAS	74
CNH	207
DEUTZ-FAHR	208
DRONNINGBORG	229
FELLA	241
FENDT	242
FORTSCHRITT	244
GLEANER	246
GOMSELMASH	247
GRIMME	249
JOHN DEERE	252
JOHN DEERE – TURF N CARE	308
KPAB	310
KRONE	311
KUHN	315
KVERNELAND	317
KZK YENISEY	321
LAVERDA	322
MASSEY FERGUSON	343
MDW	370
MENGELE	371
MERCEDES	372
NEW HOLLAND	373
PÖTTINGER	405
RENAULT AGRICULTURE	406
ROSTSELMACH	407
SAMPO	418
STOLL	422
VASSALLI	425
VIC	426
ZMAJ	427
PART NUMBER	428
OPTIBELT SERVICE MANAGEMENT	476

CONTENTS

AGCO	12				
L 517	32	1400	39	1660 (ENGINE DT466B)	71
L 521	32	1420	40	1660 (ENGINE NCE)	71
L 524	32	1620	40	1680 (ENGINE NCE)	71
L 624	32	1640	41	1E60NA	71
L 626	32	1644	41	3010S	71
M 1600	32	1660	41	3400R	71
M 1620	32	1666	42	3550AL	71
M 1630	32	1680	42	3550R	71
MEGA 204 II	32	1688	42	4330V	71
MEGA 208	32	2144	43	5010S	71
MEGA 208 II	32	2166	43	8-41	71
MEGA 218	32	2188	43	8-51	71
		2365	43	8-61-321	72
		2366	44	8670A - 8970A	72
		2388	44	8-71-431	72
		4030	44	8-91-531	72
		4230	44	AFX 8010	72
		4430	44	E 516 B	72
		4835	44	E 517	72
		5530	44	JX1070C	72
		5635	45	JX1075C	72
		6088	45	M 103	72
		6530	45	SENATOR	73
		6635	45	TD75D	73
		7088	45	TL100	73
		7635	45		
		CASE INTL. HARVESTER	45		
		1400NA (FROM N°20715)	68	CLAAS	74
		1400NA (TO N°20715)	68	COLUMBUS	89
		1440E	69	COMMANDOR 114	89
		1460E	69	COMMANDOR 114 CS	90
		1460NA (FROM N°23247)	69	COMMANDOR 115	92
		1460NA (FROM N°23250)	69	COMMANDOR 115 CS	93
		1480 (FROM N°24000)	70	COMMANDOR 116	94
		1480NA (FROM N°24000)	70	COMMANDOR 116 CS	95
		1640 (ENGINE DT436B)	71	COMMANDOR 228	97
		1640 (ENGINE NCE)	71	COMMANDOR 228 CS	98
			71	CONSUL	100

CONTENTS



CORTO 3100	100	DOMINATOR 370 MEGA	138	JAGUAR 682SL	161
DOMINATOR 100	100	DOMINATOR 370 MEGA TYP 845	138	JAGUAR 685	161
DOMINATOR 105	101	DOMINATOR 370 MEGA TYP 846	139	JAGUAR 685 SL	161
DOMINATOR 106	101	DOMINATOR 370 MEGA TYP C12	139	JAGUAR 690	162
DOMINATOR 108 HYDR	102	DOMINATOR 370 TYP 845	140	JAGUAR 690 SL	162
DOMINATOR 108 MECH	104	DOMINATOR 370 TYP 846	141	JAGUAR 695 SL	163
DOMINATOR 108 VX	105	DOMINATOR 370 TYP C12	142	JAGUAR 70 SF	163
DOMINATOR 112	106	DOMINATOR 38	142	JAGUAR 71	163
DOMINATOR 114	107	DOMINATOR 48	143	JAGUAR 75	163
DOMINATOR 115	108	DOMINATOR 48 SP	143	JAGUAR 800	163
DOMINATOR 116	109	DOMINATOR 56	144	JAGUAR 820	164
DOMINATOR 118	110	DOMINATOR 58	144	JAGUAR 830	164
DOMINATOR 118 HYDR	111	DOMINATOR 58 SP	145	JAGUAR 840	164
DOMINATOR 118 MECH	113	DOMINATOR 66	145	JAGUAR 85	164
DOMINATOR 128 VX	115	DOMINATOR 68	146	JAGUAR 850	164
DOMINATOR 130	115	DOMINATOR 68 R	147	JAGUAR 8500 C	165
DOMINATOR 140	116	DOMINATOR 68 SR	148	JAGUAR 8550	165
DOMINATOR 150	116	DOMINATOR 76	148	JAGUAR 870	165
DOMINATOR 202 II MEGA	116	DOMINATOR 78	149	JAGUAR 8700	165
DOMINATOR 202 MEGA	117	DOMINATOR 80	151	JAGUAR 890	165
DOMINATOR 203 II MEGA	118	DOMINATOR 85	151	JAGUAR 900	165
DOMINATOR 203 MEGA	120	DOMINATOR 86	152	LEXION 405	165
DOMINATOR 204 II MEGA	122	DOMINATOR 88	153	LEXION 410	166
DOMINATOR 204 MEGA	123	DOMINATOR 88 VX	154	LEXION 410 II	167
DOMINATOR 208 II MEGA	125	DOMINATOR 96	155	LEXION 415	167
DOMINATOR 208 MEGA	126	DOMINATOR 98	155	LEXION 420 MONTANA	168
DOMINATOR 218	128	DOMINATOR 98 VX	156	LEXION 430	169
DOMINATOR 218 II MEGA	129	EUROPA	157	LEXION 430 II	170
DOMINATOR 218 MEGA	130	JAGUAR 60	157	LEXION 430 MONTANA	171
DOMINATOR 350 MEGA	131	JAGUAR 675	157	LEXION 440	172
DOMINATOR 350 MEGA TYP 835	132	JAGUAR 675 HYDRO	158	LEXION 440 II	172
DOMINATOR 350 MEGA TYP 836	133	JAGUAR 680	158	LEXION 450 II MTS	173
DOMINATOR 360 MEGA	133	JAGUAR 680 HYDRO	158	LEXION 450 TERRA	175
DOMINATOR 360 MEGA TYP 845	134	JAGUAR 682	159	LEXION 460	175
DOMINATOR 360 MEGA TYP 846	136	JAGUAR 682 S	159	LEXION 460 II	176
DOMINATOR 360 MEGA TYP C12	136	JAGUAR 682 SL	159	LEXION 460 II MTS	177
DOMINATOR 370	137	JAGUAR 682S	160	LEXION 460 TERRA	178

CONTENTS

LEXION 470	179	OLDER MODELS	202	M 3580	223
LEXION 470 MONTANA	180	PROTECTOR	202	M 3610	223
LEXION 480	181	RAPS DOMINATOR	203	M 3630	224
LEXION 480 II	181	SENATOR	203	M 3640	224
LEXION 480 II MTS	182	SF	203	M 600	224
LEXION 480 TERRA	183	TUCANO 330/320	203	M 660	224
LEXION 510	184	TUCANO 340	204	M 750	224
LEXION 520 MONTANA	185	TUCANO 430	204	M 770	224
LEXION 530	186	TUCANO 450/440	205	M 88	225
LEXION 530 MONTANA	187	TUCANO 580	205	M 88 S	225
LEXION 540	188			M 900	225
LEXION 550 MONTANA	188	CNH	207	M 922	225
LEXION 560	189			MEGA 218	225
LEXION 560 MONTANA	190	DEUTZ-FAHR	208	POWERLINER 4030	225
LEXION 570	191	1302 H	219	POWERLINER 4035	225
LEXION 570 MONTANA	192	6095 HTS	219	STARLINER 4040	225
LEXION 580	193	M 1000	219	STARLINER 4045	226
LEXION 580 R AUSTRALIA	194	M 1000 - M 1200	219	TOPLINER 4060	226
LEXION 600	194	M 1002	219	TOPLINER 4065	226
MATADOR - GIGANT	195	M 1102	219	TOPLINER 4070	227
MATADOR - STANDARD	195	M 1200	219	TOPLINER 4075	227
MEDION 310	196	M 1202	219	TOPLINER 4080	228
MEDION 320	196	M 1300	220	TOPLINER 4090	228
MEDION 320/310	197	M 1302	220	TOPLINER 8XL	228
MEDION 330	197	M 1302 H	220		
MEDION 330 HYDRO	198	M 1600	220	DRONNINGBORG	229
MEDION 340	198	M 1620	225S	8300	229
MEGA 203	199	M 1630	220	DRONNINGBORG	229
MEGA 203 II	199	M 2385	220	D 1200	229
MEGA 204	199	M 2480	221	D 1250	229
MEGA 204 II	199	M 2780	221	D 1500	229
MERCATOR 50	199	M 3280	222	D 1600	230
MERCATOR 60	199	M 3480	222	D 1650	230
MERCATOR 75	201	M 3540	222	D 1800	230
MERCATOR S 70	201	M 3570	223	D 1900	231
MERCUR	202	M 3578	223	D 2250	231

CONTENTS



D 2500	231	FORTSCHRITT	244	960	254
D 2600	232	E 514	244	965	255
D 3000 S	232	E 516	244	970	255
D 4000	232	E 516 B	244	975	255
D 4000 S	233	E 517	245	985	256
D 4500	233	E 524	245	1032	256
D 500	234	E 525	245	1042	256
D 600	234	E 527	245	1052	257
D 7000	234			1055	257
D 7000 S	234	GLEANER	246	1065	257
D 7200	235	A65	246	1068	258
D 7500	235	A66	246	1072	258
D 8000	236	A75	246	1075	258
D 8000 S	236	A76	246	1085	259
D 8400	237	A85	246	1088	259
D 8500	237	A85-AXIAL FLOW	246	1155	259
D 8700	238	A86	246	1157	260
D 8900	238	A86-AXIAL FLOW	246	1158	260
D 900	239	R65 - R75	246	1170	260
D 9000	239			2054	260
D 950	240	GOMSELMASH	247	2056	261
MF 27	240	MEGA 218 II	248	2058	262
MF 29	240			2064	263
MF 30	240	GRIMME	249	2066	263
MF 31	240			2250	264
MF 32	240	JOHN DEERE	252	2254	264
MF 38	240	330	252	2256	265
		430	252	2258	265
		530	252	2264	266
FELLA	241	630	252	2266	267
		730	253	2270	267
FENDT	242	930	253	2280	267
5250	242	940	253	3300	267
6300	242	950	254	3400	267
6330	242	952	254	3430	268
8300	243	955	254	3830	268

CONTENTS

4400	268	9935	279	S 660	305
4420	268	9980	280	S 670	305
4425	268	JOHN DEERE	280	S 690	305
4700	268	1072 - 1075 - 1075 HYDRO 4	293	T 550	306
6600	269	1075 HYDRO 4	293	T 560	306
6602	269	1085 - 1085 HYDRO 4	294	T 660	306
6610	269	1166 - 1166 HYDRO 4	294	T 670	307
6620	270	1169 - 1169 HYDRO 4	294	W540	307
6622	270	1174 - 1174 HYDRO 4	295		
6650	270	1177 - 1177 HYDRO 4	295		
6700	270	1188 - 1188 HYDRO 4	296		
6710	270	4435 - 4435 HYDRO	296		
6750	270	6600 SIDEHILL	296		
6810	270	6700 S	296		
6950	270	9500 SH	296		
7700	271	9510 SH	297		
7720	272	9540(I) WTS - 9560(I) WTS - 9580(I) WTS	297		
7721	272	9550 SH	297		
7722	272	9560 STS	298		
8820	273	9570 STS	298		
9400	274	9600 MAXIMIZER	299		
9410	274	9610 MAXIMIZER	299		
9450	274	9640(I) WTS - 9660(I) WTS - 9680(I) WTS	299		
9500	275	965 HYDRO 4	299		
9501	275	9650 CTS	299		
9510	275	9650 STS	300		
9540	276	9660 - NA EDITION	300		
9550	276	9660 STS	300		
9560	277	9670 STS	301		
9580	277	9750 STS	302		
9600	277	9760 STS	302		
9610	278	9770 STS	303		
9640	278	9860 STS	304		
9650	278	9870 STS	304		
9660	279	CTS	305		
9680	279	CTS 2	305		
9880	279	S 550	305		
				JOHN DEERE – TURF N CARE	308
				737 ZTRAK AC GAS ENGINE W/54"	308
				737 ZTRAK AC GAS ENGINE W/54IN	308
				737 ZTRAK AC GAS ENGINE W/60"	308
				737 ZTRAK AC GAS ENGINE W/60IN	308
				757 ZTRAK AC GAS ENGINE W/54	308
				757 ZTRAK AC GAS ENGINE W/54IN	308
				757 ZTRAK AC GAS ENGINE W/60	308
				757 ZTRAK AC GAS ENGINE W/60IN	308
				777 ZTRAK	308
				777 ZTRAK W/60IN	308
				777 ZTRAK W/72IN	308
				797 ZTRAK	308
				797 ZTRAK W/60IN	308
				797 ZTRAK W/72IN	308
				MCS SYSTEM FOR ZTRAK	308
				MCS SYSTEM FOR ZTRAK	308
				MCS SYSTEM FOR ZTRAK W/54"	309
				MCS SYSTEM FOR ZTRAK W/54"	309
				MCS SYSTEM FOR ZTRAK W/54IN	309
				MCS SYSTEM FOR ZTRAK W/54IN	309
				MCS SYSTEM FOR ZTRAK W/60"	309
				MCS SYSTEM FOR ZTRAK W/60"	309
				MCS SYSTEM FOR ZTRAK W/60IN	309
				MCS SYSTEM FOR ZTRAK W/60IN	309
				MULCH ON DEMAND DECK OPTIO	
				FOR ZTRAK W/60IN	309
				MULCH ON DEMAND DECK OPTION	

CONTENTS

FOR ZTRAK W/60IN	309	3400 R	327	L627-MCS	340
MULCH ON DEMAND DECK W/60"	309	3450 (EX AL 132)	328	M 100	340
V-FLEX 7-IRON	309	3500 R	328	M 100 AL	340
		3550 AL	328	M 112	340
KPAB	310	3550 R	329	M 112 AL	340
		3560 AL	329	M 120	341
KRONE	311	3560AL	329	M 132	341
BIG X 1000	314	3650 R	329	M 150	341
BIG X 500	314	3750 R	329	M 152	341
BIG X 650	314	3850 R	330	M 84	341
BIG X 650 (716400 - 718510)	314	L 517	330	M 90	341
BIG X 800	314	L 518	330	M 92	341
		L 520	331	MX 240	341
KUHN	315	L 521	331	MX 240 R	341
		L 523 - INTEGRALE	332	MX 300	342
KVERNELAND	317	L 523 - MCS	333	MX 300 R	342
		L 524	333	MX240	342
KZK YENISEY	321	L 525 - INTEGRALE	334	MX240R	342
		L 525 - MCS	335	MX300	342
LAVERDA	322	L 624	335	MX300R	342
3200	322	L 625	336		
3300	322	L 626	336	MASSEY FERGUSON	343
3400	322	L 627 - INTEGRALE	337	24	343
3500	322	L 627 - MCS	338	27	343
3550	323	L517	338	29	343
3600	323	L518	338	31	343
3650	323	L520	338	187	343
3700	324	L521	338	206	344
3750	324	L523-INTEGRALE	338	240	345
3790	324	L523-MCS	339	300	345
3850	325	L524	339	307	345
3890	325	L525-INTEGRALE	339	400	345
3900	325	L525-MCS	340	440	346
LAVERDA	325	L624	340	487	346
3300 AL	327	L625	340	500	346
3350 (EX AL 112)	327	L626	340	507	346
3350 (EX M 112)	327	L627-INTEGRALE	340	510	346
www.optibelt.com					

CONTENTS

515	346	487 OLD	358	MDW	370
520	347	506 OLD	358		
525	347	507 OLD	359	MENGELE	371
530	348	520 - 525	359		
535	348	520 OLD	359	MERCEDES	372
540	348	525 OLD	359		
550	348	530 S	360	NEW HOLLAND	373
560	349	5650 ADVANCED	360	1520	373
565	349	5650 TURBO	360	1530	373
620	349	620 - 625	360	1540	373
625	350	620 OLD	360	1545	374
660	350	625 OLD	361	1550	374
665	350	630 OLD	361	8030	374
750	351	630 S OLD	361	8040	374
755	351	685 OLD	361	8050	375
760	352	685 S OLD	362	8055	375
850	352	750 OLD	362	8060	376
855	352	760 - 765	362	8070	376
860	353	760 OLD	363	8080	377
865	354	86 (F)	363	9630	377
3640	354	86 OLD	363	9640	377
5650	354	87 (F)	363	9645	377
8560	355	87 OLD	364	NEW HOLLAND	377
8570	356	CHALLENGER 660	364	1540 AL	378
8780	356	CHALLENGER 660 B	364	CR 6090	378
9720	356	CHALLENGER 670	365	CR 7090	378
186 (F)	356	CHALLENGER 670 B	365	CR 8080	378
186 OLD	356	CHALLENGER 680 B	365	CR 9060	378
206 OLD	357	MF 27	366	CR 9060 ELEVATION	378
307 OLD	357	MF 29	366	CR 9070 ELEVATION	379
3640 ADVANCED	357	MF 30	367	CR 9080	379
400 - 500	357	MF 31	367	CR 9080 ELEVATION	380
400 - 500 OLD	357	MF 32	368	CR 960	380
410 - 415	357	MF 34	368	CR 980	380
410 - 415 - 510 - 515 OLD	358	MF 38	368	CR960	381
410 - 510	358			CS 520	381
487 - 506 - 507	358			CS 540	381
10 © OPTIBELT GMBH, GERMANY					

CONTENTS



CS 6050	382	TC 52	396	ROSTSELMACH	407
CS 6070	382	TC 54	397	ACROS 530	409
CS 6080	382	TC 56	397	DON 1500 A	410
CS 6090	383	TC 57	398	DON 1500 B	411
CS 640	383	TF 42	398	DON 680	413
CS 660	384	TF 44	398	NIVA CK-5M-1-75(79)/77(81)	414
CSX 7060	384	TF 46	398	VECTOR	416
CSX 7080	385	TF 76	399		
CX 720	385	TF 78	399	SAMPO	418
CX 740	386	TL80	400	COMIA	419
CX 760	386	TL90	400	SR 2010	420
CX 780	387	TN60VA	400	SR 2025	420
CX 8030	387	TN65V	400	SR 2025 - SR 2060	420
CX 8040	388	TN70VA	400		
CX 8050	388	TN75VA	400	STOLL	422
CX 8060	389	TN95VA	400		
CX 8080	389	TR 70	400	VASSALLI	425
CX 8090	389	TR 75	400		
CX 820	390	TR 85	401	VIC	426
CX 840	390	TR 86	401		
CX 860	391	TR 89	401	ZMAJ	427
CX 880	392	TR 95	402		
FX 300	392	TR 96	402		
FX 375	393	TR 97	402		
FX 450	393	TR 98	402		
M 103	393	TR 99	403		
M 122	393	TX 30	403		
M 133	394	TX 32	403		
M 135	394	TX 34	403		
M 140	394	TX 62	404		
M 80	394	TX62-TX63-TX64-TX65-TX66-TX67-TX68	404		
M 89	395				
TC 5040	395	PÖTTINGER	405		
TC 5050	395				
TC 5060	395	RENAULT AGRICULTURE	406		
TC 5070	396				
TC 5080	396				



AGCO

NR.	DRIVE	PART NUMBER	SET	AP NR.	EAN
		6900	1	AP1002580	4014486495591
		10487	1	AP1001350	4014486474633
		56325	1	AP1000577	4014486468922
		270412	1	AP1001799	4014486488074
		270791	1	AP1001817	4014486488326
		290331	1	AP1001051	4014486484380
		400875	1	no AP	
		432244	1	AP1000224	4014486462913
		432433	1	AP1003536	4014486470598
		433128	1	AP1003368	4014486461060
		433417	1	AP1003272	4014486468762
		433435	1	AP1000702	4014486470857
		433440	1	AP1000724	4014486471168
		433442	1	AP1000755	4014486471557
		433531	1	AP1000950	4014486474053
		433537	1	AP1000959	4014486474169
		434140	1	AP1000999	4014486497229
		435125	2	AP1001174	4014486497465
		435127	2	AP1001175	4014486497472
		526155	1	AP1001953	4014486490589
		526369	3	AP1004415	4014486715262
		526370	4	AP1004415	4014486715262
		527975	1	AP1001959	4014486490671
		527976	4	AP1002752	4014486465150
		703899	1	AP1001461	4014486459708
		761757	4	AP1000306	4014486497960
		765173	1	AP1001588	4014486484991
		765174	1	AP1001597	4014486485165
		855007	1	AP1000740	4014486471366
		855122	1	AP1001185	4014486490237
		855650	4	AP1005134	4044978203366
		855650	4	AP1005134	4044978203366
		855718	1	AP1001281	4014486474473
		855791	1	AP1000817	4014486472424
		856047	1	AP1001824	4014486488432
		856112	1	AP1001011	4014486487930
		856401	1	AP1000646	4014486470062
		856641	3	AP1000628	4014486469783
		856641	3	AP1000628	4014486469783
		857219	1	AP1000703	4014486470871
		1141641	1	AP1001865	4014486489057
		1710292	1	AP1001282	4014486474497
		4311315	1	AP1001975	4014486490923
		4311316	1	AP1001976	4014486490930
		4736755	1	AP1002558	4014486495034
		6153386	1	AP1004633	4014486719956
		6153715	1	AP1004547	4014486719680
		6153723	1	AP1004632	4014486719949
		6154285	1	AP1004600	4014486717938
		6154998	1	AP1001719	4014486487015
		6159053	1	AP1001768	4014486487534
		6801631	1	AP1004791	4014486719482
		7855331	1	AP1000649	4014486470109
		7855349	1	AP1001609	4014486485363
		7855810	1	AP1001878	4014486489262
		26732797	1	AP1002193	4014486477412
		26732815	1	AP1001902	4014486489620



AGCO

NR.	DRIVE	PART NUMBER	SET	AP NR.	EAN
		26732820	1	AP1001749	4014486487329
		26732833	1	AP1000794	4014486472134
		26732883	1	AP1001865	4014486489057
		26733247	1	AP1003410	4014486463477
		26733248	1	AP1000343	4014486465921
		26733312	1	AP1001223	4014486497786
		26733578	3	AP1002759	4014486465013
		26733588	2	AP1000328	4014486465587
		26733596	3	AP1002763	4014486464290
		26735939	1	AP1001637	4014486485868
		26746958	3	AP1002852	4014486464498
		26746970	1	AP1000350	4014486466065
		26746971	1	AP1000434	4014486467017
		26746972	1	AP1000825	4014486472516
		26746973	1	AP1002028	4014486491630
		26746995	1	AP1001863	4014486489026
		26746996	1	AP1001075	4014486496598
		26746997	1	AP1001074	4014486496581
		26746998	1	AP1001541	4014486721409
		26749057	1	AP1001269	4014486492354
		28263409	1	AP1004859	4014486720570
		28284841	1	AP1000764	4014486471670
		41900000	1	AP1000037	4014486460742
		41903400	1	AP1000092	4014486460902
		41903700	1	AP1002582	4014486495638
		41903800	1	AP1003722	4014486494990
		41904200	1	AP1003706	4014486494518
		41904300	1	AP1002534	4014486494556
		41905600	1	AP1000116	4014486461251
		41907500	1	AP1000128	4014486461428
		41907800	1	AP1000134	4014486461503
		41910400	1	AP1000141	4014486461589
		41916800	1	AP1000181	4014486462104
		41921700	1	AP1002369	4014486479041
		41924700	1	AP1000211	4014486462593
		41925200	1	AP1000211	4014486462593
		41926500	1	AP1000235	4014486463361
		41928400	1	AP1000243	4014486463613
		41929400	1	AP1000252	4014486463941
		41930600	1	AP1000262	4014486464184
		41931100	1	AP1000287	4014486464733
		41931600	1	AP1000272	4014486464429
		41933400	1	AP1000298	4014486464931
		41933900	2	AP1000298	4014486464931
		41936300	1	AP1000321	4014486465419
		41936500	1	AP1000331	4014486465693
		41936800	2	AP1000330	4014486465662
		41938000	1	AP1000346	4014486465983
		41941100	1	AP1000392	4014486466553
		41941900	1	AP1000351	4014486466089
		41943600	1	AP1000414	4014486466775
		41944700	1	AP1004840	4014486715446
		41951700	1	AP1000548	4014486468359
		41953300	1	AP1000596	4014486469257
		41954300	1	AP1000664	4014486470307
		41955500	1	AP1000709	4014486470970
		41956500	1	AP1000779	4014486471915



AGCO

NR.	DRIVE	PART NUMBER	SET	AP NR.	EAN
		41957500	1	AP1004120	4014486522945
		41958600	1	AP1000860	4014486472943
		41963800	1	AP1000241	4014486463552
		41965100	1	AP1003431	4014486464313
		41973000	1	AP1001356	4014486474701
		41976200	1	AP1001359	4014486474732
		41977600	1	AP1001726	4014486487091
		41977700	1	AP1003612	4014486486322
		41977800	1	AP1003347	4014486486285
		41977900	1	AP1001728	4014486487121
		41978300	1	AP1001250	4014486492064
		41978600	1	AP1001365	4014486474794
		41978700	1	AP1001732	4014486487169
		41981400	1	AP1001437	4014486459456
		41981500	1	AP1001538	4014486460575
		41982000	4	AP1002860	4014486469646
		41982300	4	AP1002862	4014486469431
		41982600	1	AP1000669	4014486470376
		41983200	1	AP1000809	4014486472325
		41983300	5	AP1002863	4014486520064
		41984900	2	AP1002864	4014486471083
		41985400	1	AP1000839	4014486472677
		41985700	1	AP1000694	4014486470734
		41985900	1	AP1000648	4014486470093
		41987400	1	AP1000866	4014486473049
		41987500	1	AP1000874	4014486473148
		41988600	1	AP1000900	4014486473469
		41989000	1	AP1000910	4014486473575
		41989800	1	AP1000905	4014486473513
		41990011	1	AP1002362	4014486478969
		41990012	1	AP1002328	4014486478570
		41990013	2	AP1003730	4014486495287
		41990014	1	AP1002335	4014486478679
		41990019	1	AP1002359	4014486478938
		41990020	1	AP1002324	4014486478525
		41990021	1	AP1002339	4014486478723
		41990022	1	AP1002338	4014486478709
		41990026	1	AP1002361	4014486478952
		41990037	1	AP1003565	4014486473599
		41990045	1	AP1003659	4014486490503
		41990047	1	AP1001677	4014486486445
		41990048	1	AP1001722	4014486487053
		41990049	1	AP1001675	4014486486407
		41990053	1	AP1001874	4014486489187
		41990054	1	AP1001812	4014486488241
		41990055	1	AP1001816	4014486488319
		41990056	1	AP1003658	4014486490473
		41990058	1	AP1001945	4014486490459
		41990060	1	AP1001254	4014486492118
		41990061	1	AP1001946	4014486490480
		41990062	1	AP1004092	4014486519822
		41990063	1	AP1001815	4014486488302
		41990065	1	AP1001992	4014486491159
		41990700	1	AP1002571	4014486495379
		41990800	2	AP1002575	4014486495478
		41991100	1	AP1002355	4014486478884
		41992000	1	AP1001621	4014486485530



AGCO

NR.	DRIVE	PART NUMBER	SET	AP NR.	EAN
		41992300	1	AP1001614	4014486485448
		41993800	1	AP1001951	4014486490565
		41994500	1	AP1002001	4014486491272
		41995000	1	AP1002070	4014486475531
		41997500	1	AP1002185	4014486477290
		41997900	1	no AP	
		41999100	1	AP1002345	4014486478785
		45055100	1	AP1002051	4014486475289
		46301055	1	AP1002268	4014486478365
		46301057	1	AP1002556	4014486494983
		46488200	1	AP1001046	4014486498165
		49906200	1	AP1002056	4014486475333
		70260149	1	AP1002604	4014486496116
		70267630	2	AP1002987	4014486496215
		70268485	1	AP1002559	4014486495072
		70273193	1	AP1002740	4014486496222
		71132108	1	AP1001093	4014486496758
		71135618	1	AP1001395	4014486459005
		71139963	1	AP1001447	4014486459555
		71140808	1	AP1004745	4014486720327
		71146271	1	AP1003607	4014486485721
		71147547	1	AP1001568	4014486484717
		71157414	1	AP1001490	4014486460001
		71161595	1	AP1001605	4014486485318
		71161596	1	AP1001623	4014486485578
		71164177	1	AP1001640	4014486485929
		71164350	1	AP1001498	4014486460117
		71165927	1	no AP	
		71167114	1	AP1001521	4014486460407
		71167409	1	AP1001661	4014486486179
		71170490	1	AP1001475	4014486459852
		71175575	1	AP1001585	4014486484953
		71175687	1	AP1002586	4014486495775
		71175989	1	AP1001613	4014486485431
		71176492	1	AP1000253	4014486463989
		71177537	1	AP1001856	4014486488913
		71187728	1	AP1001386	4014486475029
		71187779	1	AP1000577	4014486468922
		71193749	1	AP1002556	4014486494983
		71197876	1	AP1001500	4014486460148
		71197999	1	AP1003636	4014486488821
		71300867	1	AP1000800	4014486472196
		71300996	1	AP1001495	4014486460087
		71302482	2	AP1002554	4014486494914
		71309140	1	AP1001558	4014486484571
		71309150	2	AP1000391	4014486466546
		71309685	1	AP1001057	4014486484441
		71310380	1	AP1001387	4014486475036
		71310381	1	AP1003300	4014486490862
		71310382	1	AP1001638	4014486485882
		71313804	1	AP1000280	4014486464566
		71317254	2	AP1002593	4014486495904
		71320449	2	AP1005140	4044978203427
		71322828	1	AP1000705	4014486470901
		71322834	1	AP1000691	4014486470703
		71324690	1	AP1000683	4014486470604
		71325150	2	AP1002775	4014486466003



AGCO

NR.	DRIVE	PART NUMBER	SET	AP NR.	EAN
		71335475	1	AP1000790	4014486472066
		71335788	1	no AP	
		71339886	1	AP1000593	4014486469202
		71347560	1	AP1000422	4014486466850
		71347561	1	AP1000353	4014486466102
		71348989	1	AP1002035	4014486491715
		71348999	1	AP1001921	4014486489897
		71355170	1	AP1000420	4014486466836
		71355232	1	AP1001660	4014486486162
		71356409	1	AP1000639	4014486469974
		71358255	1	AP1001653	4014486486063
		71359598	1	AP1000699	4014486470826
		71363802	1	AP1001876	4014486489231
		71364077	1	AP1001052	4014486484397
		71364155	1	AP1000783	4014486471960
		71364514	2	AP1000396	4014486466591
		71364922	1	AP1000588	4014486469110
		71366207	1	AP1001918	4014486489859
		71367459	1	AP1001384	4014486475005
		71367469	1	AP1001601	4014486485233
		71368135	1	AP1002030	4014486491654
		71368809	1	no AP	
		71370214	1	AP1002034	4014486491692
		71370279	1	AP1004077	4014486520415
		71374276	1	AP1001861	4014486488975
		71374305	1	no AP	
		71374306	1	AP1001390	4014486475081
		71376238	1	no AP	
		71377787	1	AP1001775	4014486487619
		71380485	1	AP1001923	4014486489910
		71386695	1	AP1001389	4014486475067
		71390209	1	AP1003358	4014486488463
		71390561	1	AP1003717	4014486519693
		71390885	1	no AP	
		71390886	1	no AP	
		71398366	1	AP1000588	4014486469110
		71399514	1	no AP	
		71399562	1	AP1001876	4014486489231
		71418976	1	AP1003716	4014486519839
		71419304	1	AP1005065	4044978005298
		71419306	1	AP1005066	4044978006295
		71419328	1	AP1005167	4044978207081
		71427254	1	AP1004476	4014486715750
		71427343	1	AP1004625	4014486717570
		71430816	1	AP1004590	4014486717822
		71432619	1	AP1005073	4044978005175
		71434213	1	no AP	
		71435200	1	AP1005161	4044978207289
		71440983	1	no AP	
		71440993	1	AP1004560	4014486721294
		71440999	1	AP1004515	4014486717259
		71441879	1	AP1004582	4014486717747
		71441902	1	AP1004558	4014486721270
		71442230	1	AP1005086	4014486990522
		71442255	1	AP1001656	4014486486100
		71444986	1	AP1003718	4014486519365
		71447313	1	no AP	



AGCO

NR.	DRIVE	PART NUMBER	SET	AP NR.	EAN
		71447314	1	AP1004482	4014486715811
		71447401	1	AP1004525	4014486718324
		71448482	1	AP1004047	4014486519068
		71448483	1	AP1001389	4014486475067
		71448503	1	AP1004919	4014486868579
		71448508	1	AP1001769	4014486519600
		71448515	1	AP1004599	4014486717921
		71449576	1	AP1004527	4014486717303
		71462784	1	AP1004521	4014486717273
		71462787	1	AP1003888	4014486486575
		71464666	1	AP1004501	4014486717051
		71486240	1	AP1004077	
		72501439	1	AP1003730	4014486495287
		84175580	1	AP1004042	4014486519464
		87041732	1	AP1004060	4014486518771
		87583785	1	AP1003979	4014486518405
		87663510	1	AP1005308	
		87663600	1	AP1005307	
		201108473	1	AP1002321	4014486480092
		201108520	1	AP1003503	4014486469103
		340433045	1	AP1002460	4014486493436
		340433109	1	AP1000087	4014486460841
		340433119	1	AP1000095	4014486460933
		340433237	1	AP1002758	4014486463156
		340433238	1	AP1000210	4014486462562
		340433240	1	AP1000212	4014486462647
		340433242	1	AP1000213	4014486462685
		340433251	1	AP1004883	4014486714630
		340433257	1	AP1002779	4014486463057
		340433476	1	AP1000583	4014486469035
		340433477	1	AP1003469	4014486518788
		340433988	1	AP1003855	4014486474671
		340435126	1	AP1001474	4014486459845
		340435156	1	AP1004070	
		344311234	1	AP1003849	4014486489842
		344311235	1	AP1003850	4014486489149
		344311237	1	AP1003853	4014486488388
		344311311	1	AP1003918	4014486490626
		344311313	1	AP1003919	4014486491517
		344311322	1	AP1002015	4014486491487
		344312129	1	AP1003851	4014486519587
		684101000	1	AP1002453	4014486493351
		684101025	1	AP1002455	4014486493375
		684101050	1	AP1002456	4014486493399
		684101100	1	AP1002459	4014486493429
		684101125	1	AP1002460	4014486493436
		684101150	1	AP1002462	4014486493467
		684101175	1	AP1002465	4014486493504
		684101225	1	AP1002471	4014486493573
		684101238	1	AP1004876	4014486719840
		684101350	1	AP1002483	4014486493801
		684120825	1	AP1002507	4014486494129
		684120875	1	AP1002512	4014486494204
		684120900	1	AP1002514	4014486494266
		684120918	1	AP1002415	4014486494280
		684120925	1	AP1002515	4014486494297
		684120950	1	AP1004851	4014486716542



AGCO

NR.	DRIVE	PART NUMBER	SET	AP NR.	EAN
		684120975	1	AP1002520	4014486494358
		684120992	1	AP1002521	4014486494389
		684121050	1	AP1002529	4014486494488
		684121075	1	AP1002532	4014486494525
		684121100	1	AP1002534	4014486494556
		684121125	1	AP1002537	4014486494600
		684121200	1	AP1002547	4014486494778
		684121225	1	AP1002549	4014486494815
		684121250	1	AP1002551	4014486494846
		684121250	1	AP1002551	4014486494846
		684121275	1	AP1002554	4014486494914
		684121300	1	AP1002556	4014486494983
		684121325	1	AP1002558	4014486495034
		684121350	1	AP1002560	4014486495102
		684121375	1	AP1002562	4014486495157
		684121400	1	AP1003730	4014486495287
		684121425	1		
		684121450	1	AP1002575	4014486495478
		684121475	1	AP1002579	4014486495560
		684121500	1	AP1002582	4014486495638
		684121525	1	AP1002584	4014486495706
		684121550	1	AP1002586	4014486495775
		684121575	1	AP1002588	4014486495812
		684121600	1	AP1002589	4014486495836
		684121625	1	AP1002593	4014486495904
		684121650	1	AP1003746	4014486495928
		684121675	1	AP1002594	4014486495942
		685061555	1	AP1004861	4014486719550
		685061675	1	AP1005150	4044978203564
		685061725	1	AP1002634	4014486480382
		685061740	1	AP1002635	4014486480399
		685061755	1	no AP	
		685081290	1	AP1004869	4014486716351
		685081315	1	AP1003120	4014486480733
		685081660	1	AP1003158	4014486481204
		685081680	1	AP1002652	4014486481259
		685081710	1	AP1003163	4014486481358
		685081730	1	AP1002656	4014486481396
		685081745	1	AP1003788	4044978007179
		685081785	1	no AP	
		685081800	1	AP1003172	4014486481495
		685081850	1	AP1003177	4014486481587
		685081895	1	AP1002661	4014486481655
		685081920	1	AP1003186	4014486481730
		685082300	1	AP1003217	4014486482454
		685102194	1	AP1004317	4014486715965
		685121370	1	AP1004339	4014486716009
		685121530	1	AP1003067	4014486484083
		685121555	1	AP1004341	4014486716023
		685121570	1	AP1003069	4014486484106
		685121610	1	AP1004343	4014486716047
		685121725	1	AP1003074	4014486484151
		685121765	1	AP1004344	4014486716054
		685121845	1	AP1004345	4014486716061
		685121860	1	AP1004829	4014486716078
		685121880	1	AP1004829	4014486716078
		685121905	1	AP1004687	4014486716085



AGCO

NR.	DRIVE	PART NUMBER	SET	AP NR.	EAN
		685121945	1	AP1002613	4014486484236
		685121965	1	AP1004347	4014486716108
		685122020	1	AP1004348	4014486716115
		685122140	1	AP1003954	4014486484267
		685141585	1	AP1004390	4014486716177
		700705430	1	AP1001283	4014486474503
		700705503	3	AP1001284	4014486474510
		700705773	2	AP1003401	4014486463095
		700708547	1	AP1003158	4014486481204
		700711852	1	AP1001671	4014486486353
		700714423	2	AP1000694	4014486470734
		700715554	1	AP1003788	4044978007179
		700717275	1	no AP	
		700719205	1	AP1004852	4014486718300
		700719689	4	AP1004359	4014486714036
		700721267	1	AP1004601	4014486717945
		836007765	1	AP1000201	4014486462395
		3443111171	1	AP1003592	4014486484939
		3443111278	1	AP1001637	4014486485868
		228999M1	1	AP1000251	4014486463897
		320593M2	1	AP1001361	4014486474756
		320623M2	1	AP1000296	4014486464887
		321034M3	1	AP1004428	4014486715279
		322768M1	1	AP1000538	4014486468199
		402177M1	1	AP1003399	4014486462937
		402603M1	1	AP1000350	4014486466065
		405928M1	1	AP1003462	4014486466966
		410647M1	1	AP1001363	4014486474770
		411020M1	1	AP1003384	4014486462272
		411218M1	1	AP1001065	4014486496499
		412333M1	1	AP1003574	4014486497403
		418209M1	1	AP1003492	4014486468465
		511275M1	1	AP1000150	4014486461695
		515382M1	1	AP1001023	4014486487848
		515383M1	1	AP1001024	4014486487855
		523735M1	1	AP1000146	4014486461640
		603719M1	1	AP1001406	4014486459135
		624728M1	1	AP1000031	4014486460681
		832790M3	1	AP1001444	4014486459524
		832866M2	1	AP1000826	4014486472523
		843302M1	1	AP1003557	4014486472660
		843324M1	1	AP1000804	4014486472240
		903594M2	1	AP1003392	4014486462678
		905982M1	1	AP1001479	4014486459890
		916801M2	1	AP1000641	4014486470000
		916854M1	1	AP1000385	4014486466485
		962666M1	1	AP1002467	4014486493535
		1604055M2	1	AP1003484	4014486468281
		1604401M1	1	AP1000370	4014486466331
		1615962M1	1	AP1000759	4014486471601
		1686837M1	1	no AP	
		1720674M2	1	AP1000220	4014486462838
		1730367M1	1	AP1000877	4014486473179
		1731014M1	1	AP1000668	4014486470352
		3021251M1	1	AP1000142	4014486461596
		3036551M1	1	AP1001880	4014486489309
		3049010M91	1	no AP	



AGCO

NR.	DRIVE	PART NUMBER	SET	AP NR.	EAN
		3101337M1	1	AP1003431	4014486464313
		3170530M1	1	AP1000841	4014486472707
		3170531M1	1	AP1000797	4014486472165
		3172001M1	1	AP1000827	4014486472547
		3371438M1	1	no AP	
		3371643M1	1	no AP	
		3373171M2	1	AP1003505	4014486469196
		3380422M1	1	no AP	
		3387555M1	1	no AP	
		3714575M1	1	no AP	
		3778297M1	1	no AP	
		3780607M91	1	AP1002567	4014486495270
		4273269M1	1	AP1002627	4014486480207
		4275185M91	1	AP1002525	4014486494433
		4282444M1	1	AP1004195	4014486675962
		6296417M1	1	AP1005311	
		0000055574	1	AP1003516	4014486469677
		0000056325	1	AP1000577	4014486468922
		0000290331	1	AP1001051	4014486484380
		0000400875	1	no AP	
		0000765173	1	AP1001588	4014486484991
		0000765174	1	AP1001597	4014486485165
		0000855007	1	AP1000740	4014486471366
		855650	4	AP1005134	4044978203366
		0000855791	1	AP1000817	4014486472424
		0000856401	1	AP1000646	4014486470062
		856641	3	AP1000628	4014486469783
		0000857219	1	AP1000703	4014486470871
		0006902	1	AP1002549	4014486494815
		0006906	1	AP1002558	4014486495034
		0006907	1	AP1002559	4014486495072
		0007855331	1	AP1000649	4014486470109
		0007855349	1	AP1001609	4014486485363
		0007855356	2	AP1000230	4014486463187
		021077T1	2	AP1002598	4014486496031
		021078T1	1	AP1002598	4014486496031
		026160T1	2	AP1002582	4014486495638
		026161T1	1	AP1002582	4014486495638
		034699T1	2	AP1002595	4014486495980
		034948T1	1	AP1002595	4014486495980
		038355T1	1	AP1000080	4014486484014
		039363T1	1	AP1005315	
		039631T1	1	AP1003920	4014486485189
		048392T1	1	AP1000695	4014486470765
		049798T1	1	AP1002550	4014486494822
		049798T1	2	AP1002550	4014486494822
		053640T1	1	AP1001510	4014486460278
		053650T1	2	AP1002488	4014486493900
		053928T1	1	AP1000652	4014486470154
		054269T1	2	AP1002971	4014486495423
		054315T1	2	AP1002487	4014486493894
		054607T1	1	AP1002534	4014486494556
		0554093.0	1	AP1004100	4014486520590
		055574	1	AP1003516	4014486469677
		056148T1	1	AP1002464	4014486493498
		056149T1	1	AP1002582	4014486495638
		056150T1	1	AP1002444	4014486493221



AGCO

NR.	DRIVE	PART NUMBER	SET	AP NR.	EAN
		058147P1	1	AP1000098	4014486460988
		059105T1	1	AP1001996	4014486491203
		059106T1	1	AP1001499	4014486460131
		059169R1	1	AP1002518	4014486494334
		06154847	1	AP1000108	4014486461121
		06155819	1	AP1000654	4014486470178
		06256714	3	AP1002763	
		063211T1	1	AP1001571	4014486484748
		063212T1	1	AP1001621	4014486485530
		064441T1	1	AP1001467	4014486459777
		065188T1	1	AP1001620	4014486485516
		068154T1	1	AP1001629	4014486485714
		068918T1	1	AP1001620	4014486485516
		069361T1	1	AP1003589	4014486460315
		069362T1	1	AP1004888	4014486720334
		069998T1	2	AP1002492	4014486493955
		069999T1	2	AP1002494	4014486493986
		070460T1	1	AP1002492	4014486493955
		070461T1	1	AP1002494	4014486493986
		072727T1	1	AP1002560	4014486495102
		1036940M1	1	AP1000876	4014486473162
		105654W1	1	AP1002005	4014486491326
		112366410100	1	AP1005144	4044978203465
		117029010800	1	AP1000118	4014486461275
		117512519500	1	AP1001765	
		117518511200	1	AP1000726	
		117537513500	1	AP1005316	
		650203041010	1	AP1005282	
		650203041120	1	AP1005283	
		650623030552	1	AP1005257	
		652200040070	1	AP1005228	
		653201042090	3	AP1002778	4014486463071
		653620031100	1	AP1001292	
		653620031110	1	AP1005262	
		880022156280	1	AP1000900	
		1175-105-15000	1	AP1001544	4014486460643
		1175-105-150.00	1	AP1001544	4014486460643
		117510515000	1	AP1001544	4014486460643
		1447317M1	1	AP1002562	4014486495157
		1447784M91	2	AP1002546	4014486494761
		1482511M2	1	AP1002558	4014486495034
		1483880M1	1	AP1000540	4014486468229
		1483881M1	1	AP1000609	4014486469486
		1483882M1	1	AP1003489	4014486468427
		1604464M1	1	AP1002056	4014486475333
		1614629M91	2	AP1002593	4014486495904
		1615962M1	1	AP1000759	4014486471601
		1616714M1	1	AP1001485	4014486459951
		1616715M1	1	AP1001460	4014486459685
		1617332M1	1	AP1003366	4014486460872
		1621182M1	1	AP1002265	4014486478327
		1628951M1	1	AP1000783	4014486471960
		1630361M1	1	AP1002462	4014486493467
		1641945M1	1	AP1000189	4014486462197
		1669923M1	1	AP1003730	4014486495287
		1671988M1	1	AP1001179	4014486458954
		1695146M1	1	AP1002571	4014486495379



AGCO

NR.	DRIVE	PART NUMBER	SET	AP NR.	EAN
		1700120M1	1	AP1000034	4014486460711
		1715558M91	1	AP1000183	4014486462128
		1718508M91	2	AP1000143	4014486461619
		1730033M91	1	AP1002596	4014486496017
		1730034M91	1	AP1002593	4014486495904
		1730366M1	1	AP1000872	4014486473124
		1730687M1	1	AP1003552	4014486471991
		1730781M1	1	AP1003554	4014486472394
		1730782M1	1	AP1000771	4014486471786
		1730976M1	1	AP1000842	4014486472714
		1731015M1	1	AP1000708	4014486470956
		1731023M1	1	AP1000722	4014486471144
		1810378M91	2	AP1000534	4014486468144
		1810382M91	2	AP1002780	4014486462432
		1810543M91	2	AP1004036	4014486518481
		186976M1	1	AP1002551	4014486494846
		1876670M1	1	AP1002556	4014486494983
		195672M1	1	AP1000633	4014486469868
		197-6290	1	AP1004389	4014486716160
		197-6291	1	AP1004388	4014486716153
		197-6292	1	AP1004387	4014486716146
		200432M1	1	AP1000636	4014486469929
		207-2949	1	AP1001337	4014486482652
		218560M91	1	AP1003873	4014486485127
		226981M1	1	AP1001473	4014486459838
		230356M4	1	no AP	
		233213M1	1	no AP	
		238887M2	1	no AP	
		240447M3	1	no AP	
		2833904M3	1	AP1005162	4044978207050
		2833904M4	1	AP1005162	4044978207050
		3019084M91	2	AP1002575	4014486495478
		3021192M1	1	AP1000145	4014486461633
		3021313M3	1	AP1000128	4014486461428
		3035568M2	1	AP1001058	4014486484458
		3035569M1	1	AP1001055	4014486484427
		3036278M1	1	AP1002050	4014486475265
		3041017M1	1	AP1002520	4014486494358
		3042011M1	1	AP1002310	4014486479980
		3042012M1	1	AP1002302	4014486479904
		3049776M1	1	AP1000563	4014486468656
		3050742M1	1	AP1000649	4014486470109
		3052209M1	1	AP1002582	4014486495638
		3098211M2	1	AP1004188	4014486554366
		3098212M2	1	AP1003595	4014486518351
		3106033M1	1	AP1002061	4014486475418
		31-1730870	1	AP1001119	4014486497052
		3145135M91	2	AP1002584	4014486495706
		3148053M91	2	AP1002961	4014486495058
		3173304M1	1	AP1000822	4014486472486
		3175109M1	1	AP1000771	4014486471786
		3175160M1	1	AP1000844	4014486472738
		3193693M2	1	AP1002265	4014486478327
		3226971M2	1	AP1001510	4014486460278
		3315897M1	1	AP1000194	4014486462289
		3316647M1	1	AP1000709	4014486470970
		3371438M1	1	no AP	



AGCO

NR.	DRIVE	PART NUMBER	SET	AP NR.	EAN
		3371692M1	1	AP1000344	4014486465952
		3371800M2	1	AP1001465	4014486459753
		3372217M1	1	AP1002049	4014486475258
		3383045M1	1	AP1002484	4014486493825
		3383691F1	1	AP1002526	4014486494440
		3386191M1	1	AP1002579	4014486495560
		3389542M91	2	AP1002588	4014486495812
		3435748M1	1	AP1002537	4014486494600
		3465729M1	1	AP1000404	4014486466676
		3538921M1	1	AP1000120	4014486461312
		3581286M1	1	AP1002588	4014486495812
		3581635M1	1	AP1002529	4014486494488
		3582951M1	1	AP1002537	4014486494600
		3582954M1	1	AP1002586	4014486495775
		3587700M1	1	AP1004720	4014486716696
		3587701M91	2	AP1004720	4014486716696
		3590943M1	1	AP1000220	4014486462838
		3590944M1	1	AP1000223	4014486462890
		3616513M1	1	AP1002584	4014486495706
		3617176M91	2	AP1002958	4014486495782
		3617178M91	2	AP1002916	4014486493092
		3617183M1	1	AP1002589	4014486495836
		3619085M1	1	AP1002575	4014486495478
		3619357M1	1	AP1002921	4014486493863
		3619358M91	2	AP1002567	4014486495270
		3637597M1	1	AP1002548	4014486494808
		3637598M91	2	AP1002554	4014486494914
		3637978M91	1	AP1002550	4014486494822
		3648900M1	1	AP1002339	4014486478723
		3656765M1	1	AP1002354	4014486478877
		3700656M1	1	AP1002329	4014486478587
		3700658M91	2	AP1002462	4014486493467
		3712532M1	1	AP1002532	4014486494525
		3761507M91	2	AP1002465	4014486493504
		3777379M91	2	AP1002958	4014486495782
		3777682M1	2	AP1002556	4014486494983
		3777748M1	2	AP1004851	4014486716542
		3778975M2	1	AP1004851	4014486716542
		3780139M1	1	AP1002565	4014486495225
		3780140M1	1	AP1002567	4014486495270
		3780141M1	1	AP1002571	4014486495379
		3780602M1	1		
		3780609M1	1	AP1002555	4014486494945
		3780610M1	1	AP1002556	4014486494983
		3780611M1	1	AP1002556	4014486494983
		3780612M1	1	AP1002567	4014486495270
		3780613M1	1	AP1002565	4014486495225
		3780614M1	1	AP1002575	4014486495478
		3780617M1	1	AP1002559	4014486495072
		3780645M91	2	AP1002567	4014486495270
		3780908M91	2	AP1002969	4014486495584
		3920203M	1	AP1002340	4014486478730
		3920419M	1		
		3920562M	1	AP1001276	4014486474428
		3920712M	1	AP1002289	4014486479720
		406562M1	1	AP1000869	4014486473087
		406681M1	1	AP1000836	4014486472639



AGCO

NR.	DRIVE	PART NUMBER	SET	AP NR.	EAN
		407189M91	1	AP1002071	4014486475579
		407218M1	1	AP1002241	4014486478075
		407692M1	1	AP1000328	4014486465587
		410215M1	1	no AP	
		410617M1	1	no AP	
		410919M1	1	AP1000661	4014486470253
		410957M1	1	AP1003492	4014486468465
		410958M1	1	AP1000552	4014486468403
		411218M1	1	AP1001065	4014486496499
		41990007X	2	AP1004764	4014486719277
		4275185M91	1	AP1002525	4014486494433
		4288688M1	1	AP1004687	4014486716085
		4293007M2	1	AP1004350	4014486716139
		489734M2	1	AP1002560	4014486495102
		500251D1	1	AP1002668	4014486482027
		500252D1	1	AP1003945	4014486481969
		511277M3	1	AP1000111	4014486461169
		5115483M1	1	AP1002529	4014486494488
		514806M1	1	AP1000094	4014486460926
		518125M2	1	AP1000099	4014486460995
		523733M1	1	AP1000095	4014486460933
		523735M1	1	AP1000146	4014486461640
		530669M1	1	AP1000096	4014486460940
		530756M1	1	AP1000147	4014486461657
		531316M1	1	AP1002089	4014486475814
		583824M1	1	AP1001354	4014486474688
		584850M1	1	AP1000223	4014486462890
		600P02	1	AP1004032	4014486518443
		604735M1	1	no AP	
		604964M1	1	AP1000223	4014486462890
		605638M91	2	AP1002780	4014486462432
		6200242M1	1	AP1000590	4014486520255
		6200432M1	1	AP1001484	4014486459944
		6201516M1	1	AP1001770	4014486487558
		6201932M1	1	AP1002567	4014486495270
		6202555M1	1	AP1001815	4014486488302
		6202933M1	1	AP1002016	4014486491494
		6203462M2	1	AP1003923	4014486486254
		6203660M1	1	AP1000587	4014486469080
		6203678M1	1	AP1004467	4014486715699
		6203764M1	1	AP1001611	4014486485394
		6209374M1	1	AP1001638	4014486485882
		6209375M1	1	AP1000350	4014486466065
		6210650M1	1	AP1003495	4014486468588
		6210826M1	1	AP1001632	4014486485776
		6210914M1	1	AP1001719	4014486487015
		6210914M2	1	AP1005318	
		6211072M1	1	AP1001773	4014486487596
		6211078M1	1	AP1000329	4014486465624
		6211079M1	1	AP1001189	4014486519846
		6211081M1	1	AP1001600	4014486485226
		6211082M1	1	AP1003664	4014486490831
		6211083M1	1	AP1001139	4014486490015
		6211250M1	1	AP1000726	4014486471182
		6211508M1	1	AP1003924	4014486487718
		6212014M1	1	AP1003925	4014486487657
		6212790M1	1	AP1000693	4014486470741



AGCO

NR.	DRIVE	PART NUMBER	SET	AP NR.	EAN
		621320M2	1	AP1001486	4014486459968
		621321M2	1	AP1001482	4014486459920
		6213293M2	1	AP1004492	4014486721249
		621646M1	1	AP1001471	4014486459814
		621646M1	1	AP1001471	4014486459814
		6216726M1	1	AP1000731	4014486471250
		6216981M1	1	AP1002548	4014486494808
		6217825M1	1	AP1004904	4014486806373
		6217950M1	1	AP1002496	4014486494013
		6217977M1	1	AP1000676	4014486470482
		6218984M1	1	AP1002004	4014486491319
		6219167M1	1	AP1001778	4014486487640
		6219396M1	1	AP1001545	4014486460650
		6219408M1	1	AP1004627	4014486720563
		6219414M1	1	AP1003663	4014486490817
		6219415M1	1	AP1001139	4014486490015
		6220518M1	1	AP1004562	4014486721300
		6220817M1	1	AP1004491	4014486721232
		6220987M1	1	AP1003503	4014486469103
		6223463M1	1	no AP	
		6227303M1	1	AP1004559	4014486721287
		6228951M1	1	no AP	
		6228952M1	1	no AP	
		6230012M1	1	AP1001544	4014486460643
		6230019M1	1	AP1004734	4014486719048
		6230739M1	1	AP1000685	4014486470635
		6230741M1	1	AP1001616	4014486485462
		6230869M1	1	AP1004733	4014486719031
		6230964M1	1	AP1005137	4044978203397
		623098M1	1	AP1000187	4014486462166
		6231546M1	1	AP1004199	4014486675498
		6231547M1	1	AP1001741	4014486487251
		6231843M1	1	AP1000650	4014486470123
		6232489M1	1	AP1001613	4014486485431
		6232589M1	1	AP1004621	4014486717518
		623537M1	1	AP1000032	4014486460698
		6235815M1	1	AP1003926	4014486487817
		6235825M1	1	AP1003927	4014486487831
		6236823M1	1	AP1002526	4014486494440
		6236843M1	1	no AP	
		6237294M1	1	AP1004561	4014486721317
		6237300M1	1	AP1004297	4014486683288
		6237301M1	1	AP1004281	4014486683127
		6239971M1	1	AP1000560	4014486468595
		6240108M1	1	no AP	
		624728M1	1	AP1000031	4014486460681
		6247683M1	1	AP1001565	
		6247684M1	1	AP1005256	
		6248647M1	1	AP1004493	4014486721256
		6262408M1	1	no AP	
		6263504M1	1	AP1000211	4014486462593
		6266289M1	1	AP1004489	4014486721218
		6266447M1	1	AP1003505	
		6268248M1	1	no AP	
		6268436M1	1	AP1001672	4014486486360
		6268461M1	1	no AP	
		6268912M1	1	AP1004490	4014486721225



AGCO

NR.	DRIVE	PART NUMBER	SET	AP NR.	EAN
		6272560M1	1	AP1004859	4014486720570
		6272565M1	1	no AP	
		6273869M1	1	AP1003835	4014486463835
		6275380M1	1	AP1004740	4014486718973
		6275381M1	1	AP1004741	4014486718980
		6284282M1	1	AP1000596	4014486469257
		6289542M1	1	AP1003849	4014486489842
		6289543M1	1	AP1003878	4014486485585
		6289544M1	1	AP1001651	4014486486032
		6289545M1	1	AP1003347	4014486486285
		629004M1	1	AP1000488	4014486467598
		6290138M1	1	AP1000100	4014486461008
		6290856M1	1	AP1001638	4014486485882
		6294242M1	1	AP1001679	4014486486483
		6296417M1	1	AP1005311	
		6298212M1	1	AP1005037	4044978004482
		6298761M1	1	AP1001632	4014486485776
		6298767M1	1	AP1001606	4014486485325
		6301511M1	1	AP1005312	
		6302960M2	1	AP1001603	
		6302961M2	1	AP1005303	
		6302962M2	1	AP1005212	4044978222718
		6303174M1	1	AP1001654	4014486486070
		6303185M1	1	AP1001830	4014486488531
		6307675M1	1	AP1005242	
		6310564M1	1	AP1003384	4014486462272
		6313477M1	1	AP1005076	4044978005113
		636208M1	1	AP1000490	4014486467628
		636276M1	1	AP1000491	4014486467635
		641696M1	1	AP1003383	4014486462241
		650.203.040.010	2	AP1004801	4014486720464
		650.623.030.550	1	AP1004651	4014486718652
		650203010870	1	AP1003143	4014486481006
		650203040010	2	AP1004801	4014486720464
		650623030550	1	AP1004651	4014486718652
		650633020010	1	AP1004678	4014486719734
		6627918	1	AP1004792	4014486719499
		669452M91	2	AP1002783	4014486462371
		685121905	1	AP1004687	4014486716085
		7059995M1	1	AP1005253	
		7104225M1	1	AP1005231	
		7109573M1	1	AP1005160	
		71390199	1	AP1003933	4014486485301
		71396754	1	AP1004364	4014486518399
		71426450	1	AP1004501	4014486717051
		71432802	1	AP1001664	4014486486247
		71444306	1	AP1001657	4014486486117
		71444986	1	AP1003718	4014486519365
		782835M1	1	AP1001470	4014486459807
		783539M1	1	AP1001481	4014486459913
		783907M2	1	AP1000235	4014486463361
		784789M2	1	AP1000643	4014486470031
		787237M1	1	AP1000630	4014486469813
		832882M1	1	AP1000323	4014486465471
		833857M3	1	AP1001476	4014486459869
		833857M5	1	AP1001476	4014486459869
		833858M5	1	no AP	



AGCO

NR.	DRIVE	PART NUMBER	SET	AP NR.	EAN
		833865M2	1	AP1001973	4014486490886
		833874M2	1	AP1001848	4014486488791
		834061M1	1	AP1002423	4014486493009
		834110M1	1	AP1001480	4014486459906
		834174M1	1	AP1001462	4014486459722
		842413M2	1	AP1000227	4014486463040
		843810M1	1	AP1001184	4014486490220
		84416 M1	1	AP1000121	4014486461329
		87041732C	1	AP1004060	4014486518771
		901855M1	1	AP1000574	4014486468823
		906424M1	1	AP1002584	4014486495706
		916201040200	1	AP1004340	4014486719611
		916799M1	1	AP1000585	4014486469066
		916800M2	1	AP1000775	4014486471847
		916854M1	1	AP1000385	4014486466485
		960972M1	1	AP1002051	4014486475289
		962666M1	1	AP1002467	4014486493535
		969186M1	1	AP1002047	4014486475234
		ACW0364900	1	AP1003918	4014486490626
		ACW0365210	1	AP1005251	
		ACW0365430	1	AP1003919	4014486491517
		ACW0365950	1	AP1005252	
		ACW0368450	1	AP1005149	
		ACW0396390	1	AP1005309	
		ACW0529010	1	AP1002614	
		ACW0549830	1	AP1005288	
		ACW0549950	1	AP1005287	
		ACW0569260	1	AP1005310	
		ACW0669080	1	AP1005319	
		ACW1699410	1	AP1001648	
		ACW1699420	1	AP1005317	
		ACW2278990	1	AP1003604	
		ACW2514080	1	AP1005304	
		ACW2801190	1	AP1005314	
		ACW3156760	1	AP1005306	
		AG516558	1	AP1000984	4014486498042
		AG516559	1	no AP	
		AG516861	1	AP1000983	4014486498035
		AG517279	1	AP1000985	4014486498059
		D41910400	1	AP1000141	4014486461589
		D41921801	1	AP1004180	4014486523027
		D41944700	1	AP1004840	4014486715446
		D41978600	1	AP1001365	4014486474794
		D41981400	1	AP1001437	4014486459456
		D41985900	1	AP1000648	4014486470093
		D41990014	1	AP1002335	4014486478679
		D41997900	1	no AP	
		E040T07	1	AP1004021	4014486519716
		F524200040160	1	AP1002694	4014486483123
		F716200040020	1	AP1003163	4014486481358
		F718202040010	1	AP1003172	4014486481495
		F731200040090	1	AP1005274	
		GR17880810	1	AP1001025	4014486497984
		LA340433238	1	AP1000210	4014486462562
		LA340433242	1	AP1000213	4014486462685
		LA344311322	1	AP1002015	4014486491487
		V33099800	1	AP1004824	4014486719314



AGCO

NR.	DRIVE	PART NUMBER	SET	AP NR.	EAN
		V33279300	1	AP1002558	4014486495034
		V33279600	1	AP1002537	4014486494600
		V35354900	1	AP1004607	4014486719338
		V35380300	1	AP1002345	4014486478785
		V684101000	1	AP1002453	4014486493351
		V684101025	1	AP1002455	4014486493375
		V684101050	1	AP1002456	4014486493399
		V684101100	1	AP1002459	4014486493429
		V684101125	1	AP1002460	4014486493436
		V684101150	1	AP1002462	4014486493467
		V684101175	1	AP1002465	4014486493504
		V684101225	1	AP1002471	4014486493573
		V684101238	1	AP1004876	4014486719840
		V684101350	1	AP1002483	4014486493801
		V684120825	1	AP1002507	4014486494129
		V684120875	1	AP1002512	4014486494204
		V684120900	1	AP1002514	4014486494266
		V684120918	1	AP1002415	4014486494280
		V684120925	1	AP1002515	4014486494297
		V684120950	1	AP1004851	4014486716542
		V684120975	1	AP1002520	4014486494358
		V684120992	1	AP1002521	4014486494389
		V684121050	1	AP1002529	4014486494488
		V684121075	1	AP1002532	4014486494525
		V684121100	1	AP1002534	4014486494556
		V684121125	1	AP1002537	4014486494600
		V684121200	1	AP1002547	4014486494778
		V684121225	1	AP1002549	4014486494815
		V684121250	1	AP1002551	4014486494846
		V684121250	1	AP1002551	4014486494846
		V684121275	1	AP1002554	4014486494914
		V684121550	1	AP1002586	4014486495775
		V684121575	1	AP1002588	4014486495812
		V684121600	1	AP1002589	4014486495836
		V684121625	1	AP1002593	4014486495904
		V684121650	1	AP1003746	4014486495928
		V684121675	1	AP1002594	4014486495942
		V685061555	1	AP1004861	4014486719550
		V685061675	1	AP1005150	4044978203564
		V685061725	1	AP1002634	4014486480382
		V685061740	1	AP1002635	4014486480399
		V685061755	1	no AP	
		V685061755	1	no AP	
		V685081290	1	AP1004869	4014486716351
		V685081315	1	AP1003120	4014486480733
		V685081660	1	AP1003158	4014486481204
		V685081680	1	AP1002652	4014486481259
		V685081710	1	AP1003163	4014486481358
		V685081745	1	AP1003788	4044978007179
		V685081785	1	no AP	
		V685081800	1	AP1003172	4014486481495
		V685081850	1	AP1003177	4014486481587
		V685081895	1	AP1002661	4014486481655
		V685081920	1	AP1003186	4014486481730
		V685082300	1	AP1003217	4014486482454
		V685102194	1	AP1004317	4014486715965
		V685121370	1	AP1004339	4014486716009



AGCO

NR.	DRIVE	PART NUMBER	SET	AP NR.	EAN
		V685121530	1	AP1003067	4014486484083
		V685121555	1	AP1004341	4014486716023
		V685121570	1	AP1003069	4014486484106
		V685121610	1	AP1004343	4014486716047
		V685121725	1	AP1003074	4014486484151
		V685121765	1	AP1004344	4014486716054
		V685121845	1	AP1004345	4014486716061
		V685121860	1	AP1004829	4014486716078
		V685121880	1	AP1004829	4014486716078
		V685121905	1	AP1004687	4014486716085
		V685121945	1	AP1002613	4014486484236
		V685121965	1	AP1004347	4014486716108
		V685122020	1	AP1004348	4014486716115
		V685122140	1	AP1003954	4014486484267
		V685141585	1	AP1004390	4014486716177
		V836007765	1	AP1000201	4014486462395
		WR10487	1	AP1001350	4014486474633
		X696.519.400.000	1	AP1003366	4014486460872
		X696.610.600.000	1	AP1000004	4014486483192
		X696.611.312.000	1	AP1002447	4014486493269
		X696.611.611.000	1	AP1002440	4014486493184
		X696.612.000.000	2	AP1002484	4014486493825
		X696.612.200.000	2	AP1002477	4014486493672
		X696.612.313.000	2	AP1005041	4014486920444
		X696.612.400.000	2	AP1002482	4014486493788
		X696.612.500.000	1	AP1002442	4014486493207
		X696.612.600.000	2	AP1002479	4014486493726
		X696.612.602.000	1	AP1002479	4014486493726
		X696.612.811.000	1	AP1002444	4014486493221
		X696.612.913.000	1	AP1002445	4014486493245
		X696.613.101.000	1	AP1002447	4014486493269
		X696.613.308.000	1	AP1002448	4014486493283
		X696.613.501.000	2	AP1002474	4014486493610
		X696.613.600.000	1	AP1000012	4014486483291
		X696.613.801.000	1	AP1002450	4014486493306
		X696.613.901.000	2	AP1002469	4014486493559
		X696.614.513.000	1	AP1002455	4014486493375
		X696.614.601.000	1	AP1002456	4014486493399
		X696.614.700.000	1	AP1002459	4014486493429
		X696.614.802.000	2	AP1002421	4014486492989
		X696.614.913.000	1	AP1002462	4014486493467
		X696.615.002.000	2	AP1002465	4014486493504
		X696.615.200.000	1	AP1002468	4014486493542
		X696.615.301.000	2	AP1002483	4014486493801
		X696.615.401.000	1	AP1002471	4014486493573
		X696.615.408.000	1	AP1002471	4014486493573
		X696.615.600.000	1	AP1002475	4014486493627
		X696.615.601.000	2	AP1002475	4014486493627
		X696.615.603.000	1	AP1002475	
		X696.615.704.000	2	AP1002488	4014486493900
		X696.616.000.000	2	AP1002472	4014486493580
		X696.616.102.000	1	AP1002441	4014486493191
		X696.616.201.000	2	AP1002933	4014486493757
		X696.616.300.000	1	AP1002443	4014486493214
		X696.616.600.000	2	AP1002488	4014486493900
		X696.616.702.000	2	AP1002492	4014486493955
		X696.616.702.010	1	AP1002492	4014486493955



AGCO

NR.	DRIVE	PART NUMBER	SET	AP NR.	EAN
		X696.616.800.000	2	AP1002485	4014486493856
		X696.616.913.000	1	AP1002474	4014486493610
		X696.617.701.000	2	AP1002429	4014486493061
		X696.617.800.000	1	AP1002451	4014486493313
		X696.617.900.000	1	AP1002473	4014486493597
		X696.618.200.000	1	AP1002507	4014486494129
		X696.619.200.000	1	AP1002534	4014486494556
		X696.619.413.000	1	AP1000060	4014486483802
		X696.622.000.000	1	AP1000086	4014486460834
		X696.622.700.000	1	AP1003698	4014486494099
		X696.622.800.000	1	AP1003698	4014486494099
		X696.622.900.000	1	AP1002505	4014486494105
		X696.623.000.000	1	AP1002511	4014486494181
		X696.623.200.000	1	AP1002514	4014486494266
		X696.623.300.000	1	AP1002415	4014486494280
		X696.623.400.000	1	AP1002520	4014486494358
		X696.623.600.000	1	AP1002529	4014486494488
		X696.623.700.000	1	AP1002537	4014486494600
		X696.623.800.000	1	AP1002539	4014486494648
		X696.623.900.000	1	AP1002543	4014486494723
		X696.624.100.000	1	AP1002528	4014486494471
		X696.624.200.000	1	AP1002547	4014486494778
		X696.624.300.000	1	AP1002541	4014486494693
		X696.624.400.000	1	AP1002549	4014486494815
		X696.624.500.000	1	AP1002552	4014486494877
		X696.624.800.000	1	AP1002561	4014486495119
		X696.629.509.000	2	AP1000991	4014486484311
		X696.631.009.000	1	AP1000993	4014486484335
		X696.631.409.000	2	AP1000994	4014486484342
		X696.631.609.000	2	AP1000995	4014486484359
		X696.633.500.000	1	AP1000996	4014486484366
		X696.633.800.000	1	AP1000209	4014486462555
		X696.635.400.000	1	AP1000997	4014486484373
		X696.635.500.000	1	AP1003397	4014486462821
		X696.640.500.000	1	AP1002501	4014486497939
		X696.640.600.000	1	AP1002502	4014486497946
		X696.642.000.000	1	AP1003730	4014486495287
		X696.989.501.000	1	AP1001131	4014486496444
		X696519400000	1	AP1003366	4014486460872
		X696610600000	1	AP1000004	4014486483192
		X696611611000	1	AP1002440	4014486493184
		X696612000000	2	AP1002484	4014486493825
		X696612313000	2	AP1005041	4014486920444
		X696612400000	2	AP1002482	4014486493788
		X696612500000	1	AP1002442	4014486493207
		X696612600000	2	AP1002479	4014486493726
		X696612602000	1	AP1002479	4014486493726
		X696612811000	1	AP1002444	4014486493221
		X696613101000	1	AP1002447	4014486493269
		X696613308000	1	AP1002448	4014486493283
		X696613501000	2	AP1002474	4014486493610
		X696613600000	1	AP1000012	4014486483291
		X696613801000	1	AP1002450	4014486493306
		X696613901000	2	AP1002469	4014486493559
		X696614513000	1	AP1002455	4014486493375
		X696614601000	1	AP1002456	4014486493399
		X696614700000	1	AP1002459	4014486493429



AGCO

NR.	DRIVE	PART NUMBER	SET	AP NR.	EAN
		X696614802000	2	AP1002421	4014486492989
		X696615002000	2	AP1002465	4014486493504
		X696615200000	1	AP1002468	4014486493542
		X696615301000	2	AP1002483	4014486493801
		X696615401000	1	AP1002471	4014486493573
		X696615408000	1	AP1002471	4014486493573
		X696615600000	1	AP1002475	4014486493627
		X696615601000	2	AP1002475	4014486493627
		X696615704000	2	AP1002488	4014486493900
		X696616000000	2	AP1002472	4014486493580
		X696616102000	1	AP1002441	4014486493191
		X696616201000	2	AP1002933	4014486493757
		X696616300000	1	AP1002443	4014486493214
		X696616600000	2	AP1002488	4014486493900
		X696616702000	2	AP1002492	4014486493955
		X696616800000	2	AP1002485	4014486493856
		X696617800000	1	AP1002451	4014486493313
		X696617900000	1	AP1002473	4014486493597
		X696618200000	1	AP1002507	4014486494129
		X696619200000	1	AP1002534	4014486494556
		X696619413000	1	AP1000060	4014486483802
		X696622000000	1	AP1000086	4014486460834
		X696622700000	1	AP1003698	4014486494099
		X696622800000	1	AP1003698	4014486494099
		X696622900000	1	AP1002505	4014486494105
		X696623000000	1	AP1002511	4014486494181
		X696623200000	1	AP1002514	4014486494266
		X696623300000	1	AP1002415	4014486494280
		X696623400000	1	AP1002520	4014486494358
		X696623600000	1	AP1002529	4014486494488
		X696623700000	1	AP1002537	4014486494600
		X696623800000	1	AP1002539	4014486494648
		X696623900000	1	AP1002543	4014486494723
		X696624100000	1	AP1002528	4014486494471
		X696624200000	1	AP1002547	4014486494778
		X696624300000	1	AP1002541	4014486494693
		X696624400000	1	AP1002549	4014486494815
		X696624500000	1	AP1002552	4014486494877
		X696624800000	1	AP1002561	4014486495119
		X696629509000	2	AP1000991	4014486484311
		X696631009000	1	AP1000993	4014486484335
		X696631409000	2	AP1000994	4014486484342
		X696631609000	2	AP1000995	4014486484359
		X696633500000	1	AP1000996	4014486484366
		X696633800000	1	AP1000209	4014486462555
		X696635400000	1	AP1000997	4014486484373
		X696635500000	1	AP1003397	4014486462821
		X696640500000	1	AP1002501	4014486497939
		X696640600000	1	AP1002502	4014486497946
		X697.170.100.000	1	AP1001040	4014486498103
		X697.171.900.000	1	AP1001048	4014486498189
		X697.171.901.000	1	AP1001047	4014486498172
		X697.172.100.000	1	AP1001049	4014486498196
		X697.173.600.000	1	AP1002631	4014486480238
		X697.174.000.000	1	AP1004337	4014486715996
		X697170100000	1	AP1001040	4014486498103
		X697171900000	1	AP1001048	4014486498189

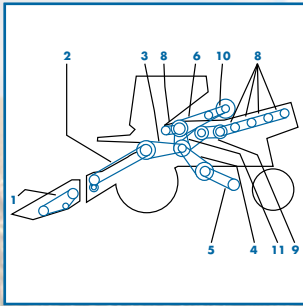


AGCO					
NR.	DRIVE	PART NUMBER	SET	AP NR.	EAN
		X697171901000	1	AP1001047	4014486498172
		X697172100000	1	AP1001049	4014486498196
		X697173600000	1	AP1002631	4014486480238
		XP12472	1	AP1000763	4014486471649
L 517					
5	STRAW ELEVATOR DRIVE	340433474	1	AP1000789	4014486472059
5	STRAW ELEVATOR DRIVE	LA340433474	1	AP1000789	4014486472059
L 521					
5	STRAW ELEVATOR DRIVE	340433474	1	AP1000789	4014486472059
5	STRAW ELEVATOR DRIVE	LA340433474	1	AP1000789	4014486472059
L 524					
5	STRAW WALKER DRIVE	340433474	1	AP1000789	4014486472059
5	STRAW WALKER DRIVE	LA340433474	1	AP1000789	4014486472059
L 624					
5	STRAW ELEVATOR DRIVE	340433474	1	AP1000789	4014486472059
5	STRAW ELEVATOR DRIVE	LA340433474	1	AP1000789	4014486472059
L 626					
5	STRAW ELEVATOR DRIVE	340433474	1	AP1000789	4014486472059
5	STRAW ELEVATOR DRIVE	LA340433474	1	1000789	4014486472059
M 1600					
1	STRAW STRIPPER DRUM	6215259	1	AP1002016	4014486491494
M 1620					
1	STRAW STRIPPER DRUM	6215259	1	AP1002016	4014486491494
M 1630					
1	STRAW STRIPPER DRUM	6215259	1	AP1002016	4014486491494
MEGA 204 II					
18	AT 3.9M - 5.1M	26746968	3	AP1004837	4014486714906
MEGA 208					
18	AT 4.5M - 5.1M	01145049	3	AP1004837	4014486714906
MEGA 208 II					
18	AT 4.5M - 5.1M	01145049	1	AP1004837	4014486714906
MEGA 218					
30	RADIATOR SCREEN	038357T1	1	AP1000161	4014486461831

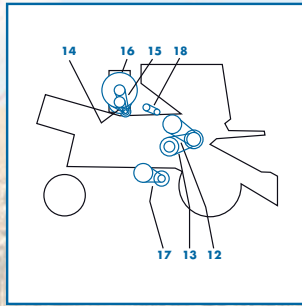


BISO

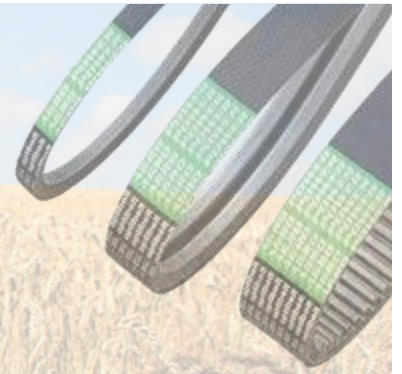
NR.	DRIVE	PART NUMBER	SET	AP NR.	EAN
		460189	1	AP1004083	4014486476972
		41981500	1	AP1001538	4014486460575
		84021591	2	AP1004053	4014486484038
		84058338	1	AP1004054	4014486519938
		84449765	1	AP1004043	4014486518924
		87311867	1	AP1004046	4014486518382
		87317063	1	AP1004047	4014486519068
		87330894	1	AP1003602	4014486485349
		87629601	1	AP1004050	4014486519785
		87629602	1	AP1004051	4014486519761
		9351007700	1	AP1005147	4044978203496
		0554099.1	1	AP1004073	4014486520361
		10VX00	1	AP1000801	4014486472202
		10VX00A	1	AP1004024	4014486519082
		10VX00B	1	AP1004023	4014486519075
		18 PJ 1244	1	AP1004104	4014486521009
		600A02	1	AP1005144	
		600A02B	1	AP1005144	4044978203465
		600A03	1	AP1003999	4014486518887
		600A07	1	AP1000769	4014486471748
		600A09	1	AP1000602	4014486469349
		600A14	1	AP1000575	4014486468847
		600A16	1	AP1005148	4044978203502
		600A17	1	AP1000615	4014486469530
		600A750	1	AP1000808	4014486472318
		600J02	1	AP1003984	4014486518603
		600J03	1	AP1003985	4014486518610
		600J07	1	AP1000674	4014486470468
		600J20	1	AP1000756	4014486471571
		600J22	1	AP1000725	4014486471175
		600J31	1	AP1003986	4014486518627
		600P01	1	AP1003392	4014486462678
		600P03	1	AP1003384	4014486462272
		600P04	1	AP1004033	4014486518450
		600P06	1	AP1000196	4014486462333
		600P12	1	AP1003385	4014486462302
		600P90	1	AP1004034	4014486518467
		9351.0013.00	1	AP1000628	4014486469783
		9351.0046.00	1	AP1000730	4014486471229
		9351.0053.00	1	AP1000738	4014486471335
		9351.0077.00	1	AP1005147	4044978203496
		9351.0082.00	1	AP1000798	4014486472172
		9351.0084.00	1	AP1003987	4014486518962
		9351.0092.00	1	AP1000815	4014486472400
		9351.0108.00	1	AP1000836	4014486472639
		9351.0128.00	1	AP1003688	4014486477979
		9351.0132.00	1	AP1003312	4014486477993
		9351.0136.00	1	AP1002241	4014486478075
		9351.0148.00	1	AP1004029	4014486519198
		9351.0150.00	1	AP1002247	4014486478143
		9351.0154.00	1	AP1002251	4014486478181
		9351.0183.00	1	AP1003326	4014486486087
		9351.0190.00	1	AP1001690	4014486486643
		9351.0193.00	1	AP1001692	4014486486674
		9351.0196.00	1	AP1004012	4014486519440
		9351.0234.00	1	AP1000278	4014486464528
		9351.0286.00	1	AP1003617	4014486486780



Z 110 BS LEFT

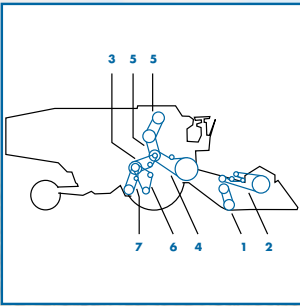


Z 110 BS RIGHT

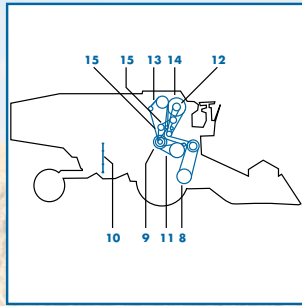


BIZON

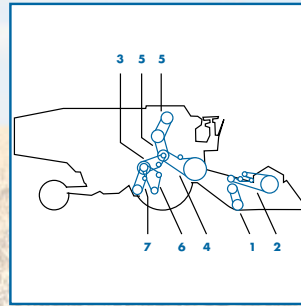
NR.	DRIVE	PART NUMBER	SET	AP NR.	EAN
TC 59					
1		84021588	1	AP1000083	4014486519358
3		84995734	1	AP1002525	4014486494433
5		84026042	1	AP1001621	4014486485530
6		84996133	1	AP1001657	4014486486117
7		9818873	1	AP1003662	4014486490718
7		89818873	1	AP1003662	4014486490718
8		825117	1	AP1004147	4014486523287
9		9515076	1	AP1001416	4014486459234
9		89515076	1	AP1001416	4014486459234
10		9515075	1	AP1001428	4014486459364
10		89515075	1	AP1001428	4014486459364
Z 110 BS					
1	KNIFE DRIVE	51101131525	1	AP1000123	4014486461350
3	PITCHED CONVEYOR	51103173220	1	AP1001861	4014486488975
4	INTERMEDIATE SOWING DRIVE SHAFT	51103173062	1	AP1003637	4014486488883
5	BOTTOM EAR SCREW	51101172438	2	AP1000301	4014486465006
6	INTERMEDIATE ATTACHMENT	51104173940	1	AP1003666	4014486491234
7	INTERMEDIATE SHAFT	51104172270	1	AP1001952	4014486490572
8	DRUM SHAKER	51103172120	1	AP1001811	4014486488234
13	DRUM DRIVE	51101622375	1	AP1001545	4014486460650
15	MOTOR FAN	51101171750	1	AP1003418	4014486463705
16	ROTATIONAL GUARD	51101132800	1	AP1000158	4014486461800
17	FAN VARI-DRIVE	51101321750	1	AP1001413	4014486459203
		51101131570	1	AP1000126	4014486461381
		51101171335	1	AP1000218	4014486462807
		51101171375	1	AP1000221	4014486462852
		51101171981	1	AP1000264	4014486464214
		51101222525	1	AP1000628	4014486469783
		51101255970	1	AP1000930	4014486473803
		51102173550	1	AP1001651	4014486486032
		51103172380	1	AP1001827	4014486488487
		51103172650	1	AP1001840	4014486488661
		51651222360	1	AP1000615	4014486469530
		1374-310-409	1	AP1001840	4014486488661
Z 140 NORDIC					
1		613116	1	AP1000104	
4		614150	1	AP1000339	
5		614152	1	AP1000343	
6		614152	1	AP1000343	
3		614225	1	AP1003834	4014486464146
9		615109	1	AP1003495	4014486468588
10		615116	1	AP1000575	4014486468847
11		614136	1	AP1000275	
12		615124	1	AP1003821	4014486469721
13		615128	1	AP1000645	4014486470055
15		615146	1	AP1000781	4014486471922
16		615147	1	AP1005148	4044978203502
14		615179	1	AP1000669	4014486470376
17		619170	1	AP1004877	4014486735086



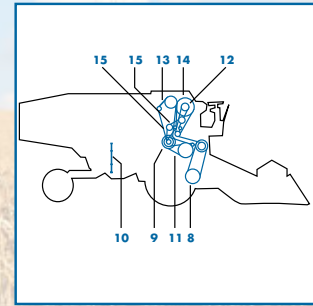
85 LEFT



85 RIGHT



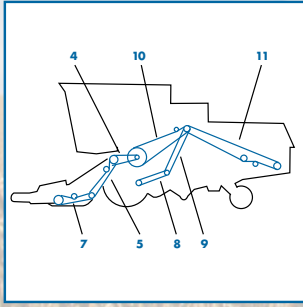
95 RIGHT



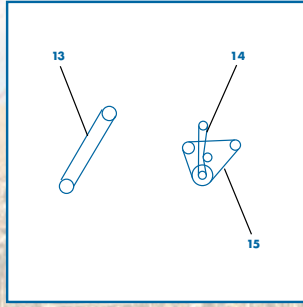
95 RIGHT

CASE INTEL HARVESTER

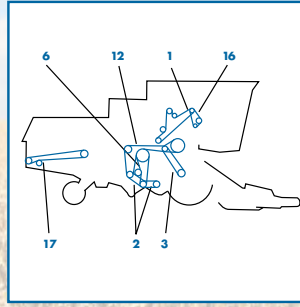
NR.	DRIVE	PART NUMBER	SET	AP NR.	EAN
30					
3	AUGER DRIVE (SIDE)	452864R1	1	AP1003484	4014486468281
80					
7	MAIN DRIVE FARMALL 400 450 460 560 (RIGHT HAND)	191305C1	1	AP1000654	4014486470178
85					
6	MAIN DRIVE FARMALL 400 450 460 560 (RIGHT HAND)	191305C1	1	AP1000654	4014486470178
95					
1	ALTERNATOR, FAN AND WATERPUMP DRIVE	59969C91	2	AP1002589	4014486495836



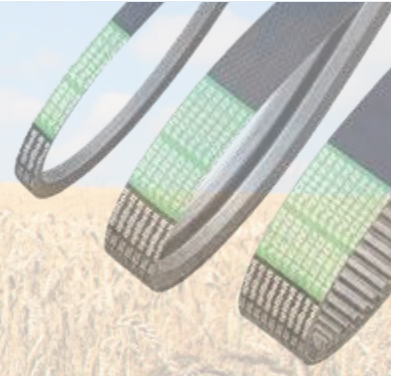
715 LEFT



715 MIDDLE

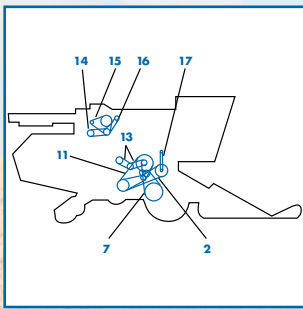


715 RIGHT

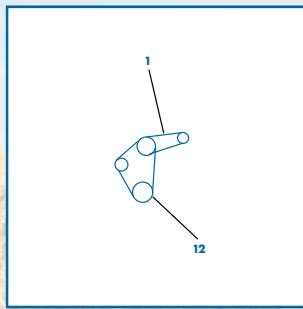


CASE INTEL HARVESTER

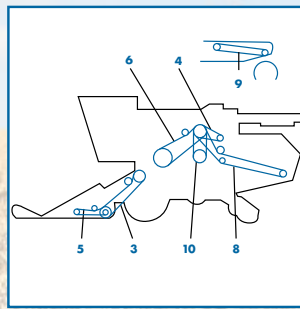
NR.	DRIVE	PART NUMBER	SET	AP NR.	EAN
715					
7	AUGER AND KNIFE DRIVE (102)	178019C1	1	AP1000625	4014486469738
7	AUGER AND KNIFE DRIVE (112)	191305C1	1	AP1000654	4014486470178
17	STRAW SPREADER DRIVE	589622R1	1	AP1000421	4014486466843
730					
1	REEL DRIVE VARIABLE SPEED	Z20459	1	AP1003583	4014486459029
2	REEL DRIVE	Z20562	1	AP1000753	4014486471526
3	HYDRAULIC PUMP DRIVE	Z21254	1	AP1000116	4014486461251
4	UNLOADING SYSTEM	Z21400	1	AP1000563	4014486468656
5	SICKLE KNIFE DRIVE	Z21500	1	AP1001103	4014486496857
5	SICKLE KNIFE DRIVE	Z21501	1	AP1001102	4014486496840
6	STRAW ELEVATOR DRIVE	Z21501	1	AP1001102	4014486496840
7	THRESHING DRUM VARIATOR DRIVE	Z22648	1	no AP	
8	TRACTION DRIVE	P40058	1	AP1001493	4014486460032
9	FAN DRIVE VARIABLE SPEED	Z20459	1	AP1003583	4014486459029
10	FAN DRIVE	Z20703	1	AP1003534	4014486470536
11	ROTARY SCREEN - ELEVATOR	Z20743	1	AP1003505	4014486469196
13	HYDRAULIC PUMP DRIVE - ENGINE	Z22208	1	AP1002554	4014486494914
782					
2	FAN DRIVE	214522C1	1	AP1004125	4014486523072
5	AIR CONDITIONING COMPRESSOR DRIVE	280210C2	1	AP1000115	4014486461237
810					
3	KNIFE DRIVE - 500 CPM 103-25/32-INCH OC	178019C1	1	AP1000625	4014486469738
815					
5	KNIFE DRIVE	178019C1	1	AP1000625	4014486469738
820					
1	DRIVE 112-13/64-INCH	191305C1	1	AP1000654	4014486470178



915 LEFT



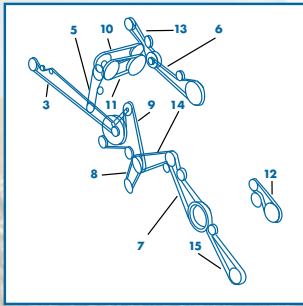
915 MIDDLE



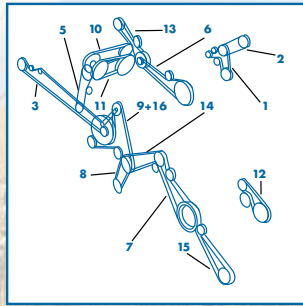
915 RIGHT

CASE INTEL HARVESTER

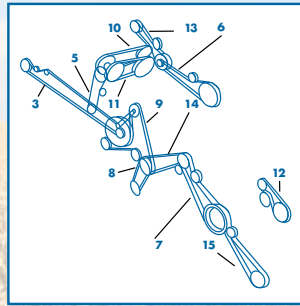
NR.	DRIVE	PART NUMBER	SET	AP NR.	EAN
915					
5	KNIFE DRIVE	178019C1	1	AP1000625	4014486469738
9	STRAW SPREADER DRIVE	196371C1	1	AP1000423	4014486466867
923					
5	UNLOADING JACKSHAFT DRIVE	3175336R1	1	AP1003536	4014486470598
6	CYLINDER	3175110R1	1	AP1001504	4014486460193
12	FAN - RETURN	3176321R1	1	AP1001367	4014486474817
933					
5	UNLOADING JACKSHAFT DRIVE	3157994R1	1	AP1000704	4014486470888
6	CYLINDER	3175110R1	1	AP1001504	4014486460193
8	FEEDER - PLATFORM	3157741R1	1	AP1001098	4014486496802
9	TRACTION (UPPER)	3157094R1	1	AP1001117	4014486497021
12	FAN - RETURN	3176321R1	1	AP1001367	4014486474817
13	FEEDER - JACKSHAFT	3173480R1	1	AP1000913	4014486473629
943					
1	INTERMEDIATE SHAFT	790522R1	1	AP1000578	4014486468939
6	SEPARATOR DRIVE	1407123R1	1	AP1001418	4014486459258
10	CUTTING TABLE DRIVE	3173115R1	1	AP1000914	4014486473636
11	FEEDER - PLATFORM	3167149R1	1	AP1001760	4014486487435
12	TRACTION DRIVE	3173717R1	1	AP1000725	4014486471175
15	FEEDER - JACKSHAFT	3173164R1	2	AP1003996	4014486518849
18	REEL DRIVE VARIABLE SPEED	1407123R1	1	AP1001418	4014486459258



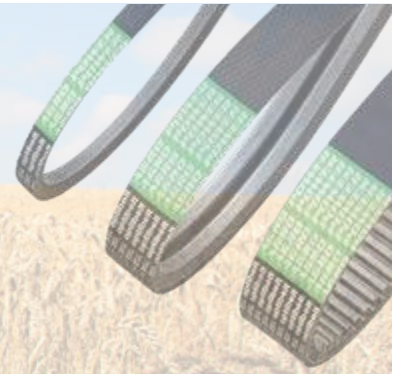
1640



1644

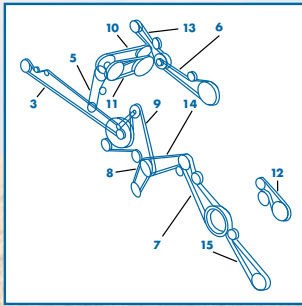


1660



CASE INTEL HARVESTER

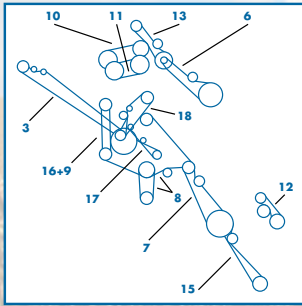
NR.	DRIVE	PART NUMBER	SET	AP NR.	EAN
1640					
1	ALTERNATOR, FAN AND WATERPUMP DRIVE	J911562	1	AP1004155	4014486523041
2	AIR CONDITIONING COMPRESSOR DRIVE	164550R2	1	AP1000102	4014486461046
3	STRAW SPREADER DRIVE	196371C1	1	AP1000423	4014486466867
5	STRAW CHOPPER DRIVE	1315265C1	1	AP1001602	4014486485240
5	STRAW CHOPPER DRIVE	1347157C1	1	AP1001610	4014486485387
6	UNLOADING AUGER DRIVE	191290C1	1	AP1000708	4014486470956
7	FEEDER DRIVE WITHOUT ROCK TRAP	192738C1	1	AP1003473	4014486519778
8	CLEANING FAN DRIVE	195396C2	1	AP1001417	4014486459241
9	ELEVATOR DRIVE UNIT	181055C1	1	AP1001374	4014486474886
9	ELEVATOR DRIVE UNIT	186509C2	1	AP1001379	4014486474947
10	SEPARATOR DRIVE	191241C3	1	AP1001142	4014486490053
12	REEL DRIVE PUMP	1321565C1	1	AP1002320	4014486480085
13	AUXILIARY PUMP DRIVE	1347387C1	1	AP1001602	4014486485240
14	FAN JACKSHAFT DRIVE	191305C1	1	AP1000654	4014486470178
16	CLEANING UNIT DRIVE WITH STRAW CHOPPER	181055C1	1	AP1001374	4014486474886
20	FAN JACKSHAFT SLOW SPEED	610521R1	1	AP1003415	4014486463637
1644					
	COMPRESSOR, A/C	1250587C1	1	AP1003476	4014486519242
2	FAN, ALTERNATOR, WATER PUMP	J911565	1	AP1002648	4014486480870
8	FEEDER DRIVE W/ROCK TRAP	1315168C1	1	AP1001147	4014486490114
	STRAW CHOPPER DRIVE	1315265C1	1	AP1001602	4014486485240
	AUXILLIARY PUMP DRIVE	1347387C1	1	AP1001602	4014486485240
	CLEANING FAN DRIVE	1541569C1	1	AP1003472	4014486518320
	ELEVATOR DRIVE	181055C1	1	AP1001374	4014486474886
	ELEVATOR DRIVE W/DISCHARGE BEATER	186509C2	1	AP1001379	4014486474947
	CLEANING FAN JACKSHAFT DRIVE	191305C1	1	AP1000654	4014486470178
	STRAW SPREADER DRIVE	196371C1	1	AP1000423	4014486466867
1660					
1	ALTERNATOR, FAN AND WATERPUMP DRIVE	J911572	1	AP1003140	4014486480962
2	AIR CONDITIONING COMPRESSOR DRIVE	164550R2	1	AP1000102	4014486461046
2	AIR CONDITIONING COMPRESSOR DRIVE	396829R1	1	AP1003475	4014486519228
3	STRAW SPREADER DRIVE	196371C1	1	AP1000423	4014486466867
5	STRAW CHOPPER DRIVE	1315265C1	1	AP1001602	4014486485240
5	STRAW CHOPPER DRIVE	1347157C1	1	AP1001610	4014486485387
6	UNLOADING AUGER DRIVE	191290C1	1	AP1000708	4014486470956
7	FEEDER DRIVE WITHOUT ROCK TRAP	192738C1	1	AP1003473	4014486519778
8	CLEANING FAN DRIVE	1541569C1	1	AP1003472	4014486518320
8	CLEANING FAN DRIVE	195396C2	1	AP1001417	4014486459241
9	ELEVATOR DRIVE UNIT	181055C1	1	AP1001374	4014486474886
9	ELEVATOR DRIVE UNIT	186509C2	1	AP1001379	4014486474947
10	SEPARATOR DRIVE	191241C3	1	AP1001142	4014486490053
12	REEL DRIVE PUMP	1321565C1	1	AP1002320	4014486480085
13	AUXILIARY PUMP DRIVE	1347387C1	1	AP1001602	4014486485240
14	FAN JACKSHAFT DRIVE	191305C1	1	AP1000654	4014486470178
16	CLEANING UNIT DRIVE WITH STRAW CHOPPER	181055C1	1	AP1001374	4014486474886
20	FAN JACKSHAFT SLOW SPEED	610521R1	1	AP1003415	4014486463637
21	CHAFF SPREADER DRIVE (UPPER)	123305A1	1	AP1000432	4014486466997



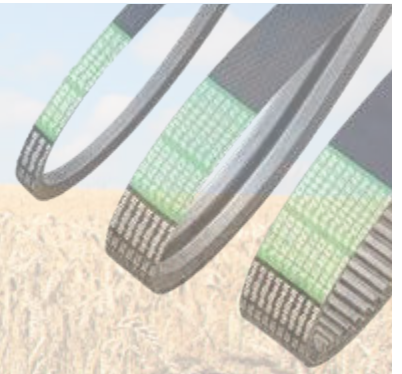
1680

CASE INTEL HARVESTER

NR.	DRIVE	PART NUMBER	SET	AP NR.	EAN
1666					
1	COMPRESSOR, A/C	396829R1	1	AP1003475	4014486519228
2	FAN, ALTERNATOR, WATER PUMP	J911572	1	AP1003140	4014486480962
6	AUXILLIARY PUMP DRIVE	1347387C1	1	AP1001602	4014486485240
7	STRAW CHOPPER DRIVE	1315265C1	1	AP1001602	4014486485240
8	FEEDER DRIVE W/ROCK TRAP	1315168C1	1	AP1001147	4014486490114
10	CLEANING FAN JACKSHAFT DRIVE	191305C1	1	AP1000654	4014486470178
11	CLEANING FAN DRIVE	1541569C1	1	AP1003472	4014486518320
12	STRAW SPREADER DRIVE	196371C1	1	AP1000423	4014486466867
13	ELEVATOR DRIVE	181055C1	1	AP1001374	4014486474886
13	ELEVATOR DRIVE W/DISCHARGE BEATER	186509C2	1	AP1001379	4014486474947
1680					
1	ALTERNATOR, FAN AND WATERPUMP DRIVE	J911572	1	AP1003140	4014486480962
2	AIR CONDITIONING COMPRESSOR DRIVE	1250587C1	1	AP1003476	4014486519242
2	AIR CONDITIONING COMPRESSOR DRIVE	396829R1	1	AP1003475	4014486519228
3	STRAW SPREADER DRIVE	196371C1	1	AP1000423	4014486466867
5	STRAW CHOPPER DRIVE	1315266C1	1	AP1001620	4014486485516
5	STRAW CHOPPER DRIVE	1347160C1	1	AP1001625	4014486485646
6	UNLOADING AUGER DRIVE	191291C1	1	AP1000723	4014486471151
6	UNLOADING AUGER DRIVE	1989217C1	1	AP1000728	4014486471205
7	FEEDER DRIVE WITH ROCK TRAP	1315074C1	1	AP1001147	4014486490114
8	CLEANING FAN DRIVE	1541569C1	1	AP1003472	4014486518320
8	CLEANING FAN DRIVE	195396C2	1	AP1001417	4014486459241
9	ELEVATOR DRIVE UNIT	186509C2	1	AP1001379	4014486474947
10	SEPARATOR DRIVE	1541702C1	1	AP1001145	4014486490084
10	SEPARATOR DRIVE	191244C1	1	AP1001879	4014486489286
11	ROTOR VARIATOR DRIVE	244422A1	1	AP1001533	4014486460520
12	REEL DRIVE PUMP	1321565C1	1	AP1002320	4014486480085
12	REEL DRIVE PUMP (54.5)	1321565C1	1	AP1002320	4014486480085
13	AUXILIARY PUMP DRIVE	1347358C1	1	AP1001604	4014486485295
13	AUXILIARY PUMP DRIVE	1541700C1	1	AP1001600	4014486485226
14	FAN JACKSHAFT DRIVE	188213C1	1	AP1000692	4014486470710
15	FEEDER JACKSHAFT DRIVE	1308489C2	1	AP1003573	4014486490091
16	CLEANING UNIT DRIVE WITH STRAW CHOPPER	181055C1	1	AP1001374	4014486474886
20	FAN JACKSHAFT SLOW SPEED	610521R1	1	AP1003415	4014486463637
21	CHAFF SPREADER DRIVE (UPPER)	123305A1	1	AP1000432	4014486466997
22	CHAFF SPREADER DRIVE (LOWER)	123307A1	1	AP1002309	4014486479973
1688					
	FEEDER JACKSHAFT DRIVE W/60" FEEDER	1308489C2	1	AP1003573	4014486490091
	FEEDER DRIVE W/ROCK TRAP	1315074C1	1	AP1001147	4014486490114
	STRAW CHOPPER DRIVE	1315266C1	1	AP1001620	4014486485516
	CLEANING FAN DRIVE	1541569C1	1	AP1003472	4014486518320
	AUXILLIARY PUMP DRIVE	1541700C1	1	AP1001600	4014486485226
	SEPARATOR DRIVE	1541702C1	1	AP1001145	4014486490084
	ELEVATOR DRIVE	181055C1	1	AP1001374	4014486474886
	ELEVATOR DRIVE W/DISCHARGE BEATER	186509C2	1	AP1001379	4014486474947
	CLEANING FAN JACKSHAFT DRIVE	188213C1	1	AP1000692	4014486470710
	STRAW SPREADER DRIVE	196371C1	1	AP1000423	4014486466867
	GRAIN TANK UNLOADING	1989217C1	1	AP1000728	4014486471205
	COMPRESSOR, A/C	396829R1	1	AP1003475	4014486519228
	FAN, ALTERNATOR, WATER PUMP	J911572	1	AP1003140	4014486480962



2166



CASE INTEL HARVESTER

NR.	DRIVE	PART NUMBER	SET	AP NR.	EAN
2144					
	AUXILLIARY PUMP DRIVE	124573A1	1	AP1001600	4014486485226
	COMPRESSOR, A/C	1250587C1	1	AP1003476	4014486519242
	FEEDER JACKSHAFT DRIVE W/60" FEEDER	1308489C2	1	AP1003573	4014486490091
8	FEEDER DRIVE W/ROCK TRAP	1315168C1	1	AP1001147	4014486490114
	STRAW CHOPPER DRIVE	1315265C1	1	AP1001602	4014486485240
	CLEANING FAN DRIVE	1541569C1	1	AP1003472	4014486518320
	ELEVATOR DRIVE W/DISCHARGE BEATER	186509C2	1	AP1001379	4014486474947
	STRAW SPREADER DRIVE	196371C1	1	AP1000423	4014486466867
2	FAN, ALTERNATOR, WATER PUMP	J911565	1	AP1002648	4014486480870
2166					
1	ALTERNATOR, FAN AND WATERPUMP DRIVE	J911572	1	AP1003140	4014486480962
2	AIR CONDITIONING COMPRESSOR DRIVE	396829R1	1	AP1003475	4014486519228
3	STRAW SPREADER DRIVE	196371C1	1	AP1000423	4014486466867
5	STRAW CHOPPER DRIVE	1347157C1	1	AP1001610	4014486485387
6	UNLOADING AUGER DRIVE	191290C1	1	AP1000708	4014486470956
7	FEEDER DRIVE WITHOUT ROCK TRAP	192738C1	1	AP1003473	4014486519778
7	FEEDER DRIVE WITH ROCK TRAP	1315168C1	1	AP1001147	4014486490114
8	CLEANING FAN DRIVE	1541569C1	1	AP1003472	4014486518320
9	ELEVATOR DRIVE UNIT	186509C2	1	AP1001379	4014486474947
10	SEPARATOR DRIVE	191241C3	1	AP1001142	4014486490053
13	AUXILIARY PUMP DRIVE	124572A1	1	AP1001599	4014486485202
14	FAN JACKSHAFT DRIVE	191305C1	1	AP1000654	4014486470178
15	FEEDER JACKSHAFT DRIVE	1308489C2	1	AP1003573	4014486490091
16	CLEANING UNIT DRIVE	181055C1	1	AP1001374	4014486474886
21	CHAFF SPREADER DRIVE (UPPER)	123305A1	1	AP1000432	4014486466997
22	CHAFF SPREADER DRIVE (LOWER)	123306A1	1	AP1002307	4014486479959
2188					
	CHAFF SPREADER DRIVE (UPPER)	123305A1	1	AP1000432	4014486466997
	CHAFF SPREADER DRIVE (LOWER)	123307A1	1	AP1002309	4014486479973
	AUXILIARY PUMP DRIVE	124573A1	1	AP1001600	4014486485226
	FEEDER JACKSHAFT DRIVE	1308489C2	1	AP1003573	4014486490091
	FEEDER DRIVE WITH ROCK TRAP	1315074C1	1	AP1001147	4014486490114
	STRAW CHOPPER DRIVE	1347160C1	1	AP1001625	4014486485646
	CLEANING FAN DRIVE	1541569C1	1	AP1003472	4014486518320
	SEPARATOR DRIVE	1541702C1	1	AP1001145	4014486490084
	CLEANING UNIT DRIVE	181055C1	1	AP1001374	4014486474886
	ELEVATOR DRIVE UNIT	186509C2	1	AP1001379	4014486474947
	FAN JACKSHAFT DRIVE	188213C1	1	AP1000692	4014486470710
	STRAW SPREADER DRIVE	196371C1	1	AP1000423	4014486466867
	ROTOR VARIATOR DRIVE	244422A1	1	AP1001533	4014486460520
	AIR CONDITIONING COMPRESSOR DRIVE	396829R1	1	AP1003475	4014486519228
	ALTERNATOR, FAN AND WATERPUMP DRIVE	J911572	1	AP1003140	4014486480962
2365					
	AUXILIARY PUMP DRIVE	124572A1	1	AP1001599	4014486485202
	FEEDER JACKSHAFT DRIVE	1308489C2	1	AP1003573	4014486490091
	STRAW CHOPPER DRIVE	1347157C1	1	AP1001610	4014486485387
	CLEANING UNIT DRIVE	181055C1	1	AP1001374	4014486474886
	ELEVATOR DRIVE UNIT	186509C2	1	AP1001379	4014486474947
	SEPARATOR DRIVE	191241C3	1	AP1001142	4014486490053
	UNLOADING AUGER DRIVE	191290C1	1	AP1000708	4014486470956
	FEEDER DRIVE WITHOUT ROCK TRAP	192738C1	1	AP1003473	4014486519778
	STRAW SPREADER DRIVE	196371C1	1	AP1000423	4014486466867



CASE INTEL HARVESTER

NR.	DRIVE	PART NUMBER	SET	AP NR.	EAN
	FAN JACKSHAFT DRIVE	301111A1	1	no AP	
	CLEANING FAN DRIVE	301146A1	1	AP1003931	4014486520118
	AIR CONDITIONING COMPRESSOR DRIVE	396829R1	1	AP1003475	4014486519228
	ALTERNATOR, FAN AND WATERPUMP DRIVE	J911572	1	AP1003140	4014486480962
2366					
	AUXILIARY PUMP DRIVE	124572A1	1	AP1001599	4014486485202
	FEEDER JACKSHAFT DRIVE	1308489C2	1	AP1003573	4014486490091
	STRAW CHOPPER DRIVE	1347157C1	1	AP1001610	4014486485387
	CLEANING UNIT DRIVE	181055C1	1	AP1001374	4014486474886
	ELEVATOR DRIVE UNIT	186509C2	1	AP1001379	4014486474947
	SEPARATOR DRIVE	191241C3	1	AP1001142	4014486490053
	UNLOADING AUGER DRIVE	191290C1	1	AP1000708	4014486470956
	FEEDER DRIVE WITHOUT ROCK TRAP	192738C1	1	AP1003473	4014486519778
	STRAW SPREADER DRIVE	196371C1	1	AP1000423	4014486466867
	FAN JACKSHAFT DRIVE	301111A1	1	no AP	
	CLEANING FAN DRIVE	301146A1	1	AP1003931	4014486520118
	AIR CONDITIONING COMPRESSOR DRIVE	396829R1	1	AP1003475	4014486519228
	ALTERNATOR, FAN AND WATERPUMP DRIVE	J911572	1	AP1003140	4014486480962
2388					
	ELEVATOR DRIVE UNIT	186509C2	1	AP1001379	4014486474947
	STRAW SPREADER DRIVE	196371C1	1	AP1000423	4014486466867
	DISCHARGE DRIVE GRAIN TANK	1989217C1	1	AP1000728	4014486471205
	AIR CONDITIONING COMPRESSOR DRIVE	235414A1	1	AP1002514	4014486494266
	CLEANING FAN DRIVE	301146A1	1	AP1003931	4014486520118
	CLEANING FAN - JACKSHAFT	317904A1	1	AP1000694	4014486470734
	SEPARATOR DRIVE	400427A1	1	AP1001216	4014486492422
	FEEDER JACKSHAFT DRIVE	402368A1	1	AP1001169	4014486491807
	ROTOR DRIVE	413159A1	1	AP1004749	4014486720372
	AUXILIARY PUMP DRIVE	440498A3	1	AP1004116	4014486523867
	ENGINE FAN AND ALTERNATOR	A78022	1	AP1003195	4014486481884
4030					
	FAN BELT	4796327	1	AP1002461	4014486493450
4230					
	FAN BELT	4796327	1	AP1002461	4014486493450
4430					
	FAN BELT	4796327	1	AP1002461	4014486493450
4835					
	FAN BELT	4796327	1	AP1002461	4014486493450
5088					
3	STRAW SPREADER DRIVE	84163222	1	AP1004926	4014486862140
8	HEADER DRIVE (W/O ROCK TRAP)	87332161	1	AP1004924	4014486862164
9	SEPARATOR DRIVE	84137716	1	AP1004925	4014486862157
10	ROTOR DRIVE	84194650	1	AP1004899	4014486772098
5530					
	FAN BELT	4796327	1	AP1002461	4014486493450



CASE INTEL HARVESTER

NR.	DRIVE	PART NUMBER	SET	AP NR.	EAN
5635					
	FAN BELT	4796327	1	AP1002461	4014486493450
6088					
3	STRAW SPREADER DRIVE	84163222	1	AP1004926	4014486862140
8	HEADER DRIVE (W/O ROCK TRAP)	87332161	1	AP1004924	4014486862164
9	SEPARATOR DRIVE	84137716	1	AP1004925	4014486862157
6530					
	FAN BELT	4796327	1	AP1002461	4014486493450
6635					
	FAN BELT	4796327	1	AP1002461	4014486493450
7088					
3	STRAW SPREADER DRIVE	84163222	1	AP1004926	4014486862140
8	HEADER DRIVE (W/O ROCK TRAP)	87332161	1	AP1004924	4014486862164
9	SEPARATOR DRIVE	84137716	1	AP1004925	4014486862157
7635					
	FAN BELT	4796327	1	AP1002461	4014486493450
CASE INTL. HARVESTER					
		21486	1	AP1002441	4014486493191
		60010	1	AP1002470	4014486493566
		66232	1	AP1000690	4014486470697
		130012	1	AP1002571	4014486495379
		130013	2	AP1002594	4014486495942
		130071	1	AP1002561	4014486495119
		130072	1	AP1002595	4014486495980
		142273	1	AP1002451	4014486493313
		159837	3	AP1000303	4014486465068
		178623	1	AP1004701	4014486719802
		186347	1	AP1000630	4014486469813
		219498	1	AP1002468	4014486493542
		230056	1	AP1003232	4014486518658
		230077	1	AP1001489	4014486459999
		230078	1	AP1001509	4014486460254
		270174	2	no AP	
		274224	4	AP1004646	4014486718997
		314115	1	AP1001494	4014486460063
		321559	1	AP1001512	4014486460308
		323646	1	AP1001949	4014486490541
		326298	1	AP1003489	4014486468427
		330715	1	AP1000726	4014486471182
		333958	1	AP1000715	4014486471052
		334065	1	AP1001403	4014486459098
		350236	1	AP1003640	4014486489002
		356024	1	AP1001489	4014486459999
		356025	1	AP1001525	4014486460445
		378989	2	AP1000243	4014486463613
		381236	2	AP1002567	4014486495270
		381237	1	AP1002567	4014486495270
		387469	1	AP1000700	4014486470833
		388280	1	AP1001410	4014486459173
		393519	1	AP1002593	4014486495904



CASE INTEL HARVESTER

NR.	DRIVE	PART NUMBER	SET	AP NR.	EAN
		399058	2	AP1002599	4014486496055
		421173	1	AP1002556	4014486494983
		422731	1	AP1000696	4014486470772
		424563	1	AP1001765	4014486487480
		427456	1	AP1003351	4014486464603
		431784	1	AP1000328	4014486465587
		432642	1	AP1003746	4014486495928
		433746	2	AP1003252	4014486518573
		433747	1	AP1003252	4014486518573
		434044	1	AP1002007	4014486491357
		434222	1	AP1001635	4014486485837
		437033	2	AP1003232	4014486518658
		439129	1	AP1001493	4014486460032
		440780	1	no AP	
		444045	1	AP1002554	4014486494914
		443596	1	AP1002598	4014486496031
		446969	1	AP1001489	4014486459999
		446970	1	AP1001496	4014486460094
		446971	1	AP1005044	4014486920130
		447031	1	AP1001872	4014486489132
		452022	1	AP1002595	4014486495980
		456216	1	AP1002575	4014486495478
		457643	1	AP1000159	4014486461817
		516776	1	AP1000349	4014486466041
		600021	1	AP1002495	4014486494006
		600101	1	AP1002471	4014486493573
		602211	1	AP1002531	4014486494501
		603720	1	AP1003584	4014486459128
		677419	1	AP1003412	4014486463545
		709998	1	AP1004413	4014486714784
		717699	1	AP1003882	4014486485790
		743877	1	AP1003349	4014486490985
		746894	1	AP1001695	4014486486711
		748003	2	AP1003746	4014486495928
		753053	1	AP1000706	4014486470925
		754165	1	AP1002415	4014486494280
		754388	1	AP1003341	4014486462999
		754389	1	AP1000321	4014486465419
		754423	1	AP1000660	4014486470246
		755808	1	AP1001487	4014486459982
		756900	1	AP1004477	4014486715767
		797475	1	AP1000998	4014486520460
		825013	1	AP1001562	4014486484632
		825399	1	AP1000834	4014486472608
		835683	1	AP1003216	4014486482393
		851791	1	no AP	
		851792	1	AP1001180	4014486490183
		857938	1	no AP	
		861731	1	AP1003978	4014486518498
		900611	1	AP1002532	4014486494525
		904011	1	AP1001629	4014486485714
		904027	1	AP1001741	4014486487251
		904029	1	AP1001718	4014486487008
		904031	1	AP1001724	4014486487077
		904038	1	AP1001729	4014486487138
		913524	1	AP1000412	4014486466751
		918062	2	AP1002599	4014486496055



CASE INTEL HARVESTER

NR.	DRIVE	PART NUMBER	SET	AP NR.	EAN
		921330	1	AP1000785	4014486472011
		922911	1	AP1002004	4014486491319
		938787	1	AP1002543	4014486494723
		1108520	1	AP1003503	4014486469103
		1112638	1	AP1003948	4014486497649
		1113390	1	AP1001005	4014486487879
		1113831	1	AP1001259	4014486492187
		1113936	1	AP1002567	4014486495270
		1113985	1	AP1003582	4014486475050
		1114295	1	AP1001177	4014486497496
		1114568	1	AP1003623	4014486487503
		1114576	1	AP1001729	4014486487138
		1169428	1	AP1001938	4014486490350
		1169983	1	AP1001231	4014486491845
		1169991	1	AP1001319	4014486492811
		1170003	1	AP1001313	4014486492767
		1170011	1	AP1001997	4014486491227
		1170028	1	AP1001993	4014486491166
		1170036	1	AP1001230	4014486491838
		1170044	1	AP1001797	4014486488050
		1170060	1	AP1001798	4014486488067
		1170116	1	AP1001322	4014486492842
		1170124	1	AP1001323	4014486492859
		1170140	1	AP1003618	4014486486865
		1170157	1	AP1002673	4014486482133
		1170181	1	AP1001318	4014486492804
		1170204	1	AP1001310	4014486492712
		1300721	1	AP1002595	4014486495980
		1301131	1	AP1002598	4014486496031
		1590486	2	AP1004760	4014486719239
		1725666	2	AP1004758	4014486719215
		1791046	1	AP1002582	4014486495638
		2213342	1	AP1004838	4014486719345
		2700114	1	AP1002346	4014486478792
		2853208	1	AP1003158	4014486481204
		2855970	1	AP1002651	4014486481143
		2856151	1	AP1003163	4014486481358
		2900435	1	AP1002343	4014486478761
		2928981	1	AP1004820	4014486719390
		2929681	1	AP1002528	4014486494471
		2929932	1	AP1004818	4014486719376
		2976405	1	no AP	
		3012326	1	AP1004819	4014486719383
		3140006	1	AP1002546	4014486494761
		3140053	1	AP1002567	4014486495270
		3140058	1	AP1002534	4014486494556
		3140085	1	AP1002475	4014486493627
		3140109	3	AP1002537	4014486494600
		3142286	1	AP1002440	4014486493184
		3142287	1	AP1002443	4014486493214
		3142590	1	AP1002507	4014486494129
		3143002	1	AP1002462	4014486493467
		3145900	1	AP1004724	4014486716504
		3288757	1	AP1002645	4014486480801
		3288768	1	AP1002645	4014486480801
		3288812	1	AP1004155	4014486523041
		3288867	1	AP1002663	4014486481839



CASE INTEL HARVESTER

NR.	DRIVE	PART NUMBER	SET	AP NR.	EAN
		3288922	1	AP1003139	4014486480955
		3288999	1	AP1003955	4014486481105
		3289078	1	AP1003158	4014486481204
		3289224	1	AP1003788	4044978007179
		3289279	1	AP1003170	4014486481471
		3289481	1	AP1003177	4014486481587
		3289593	1	AP1002661	4014486481655
		3289604	1	AP1002661	4014486481655
		3289648	1	AP1003186	4014486481730
		3289768	1	AP1003195	4014486481884
		3290158	1	AP1003191	4014486481846
		3781694	1	AP1003431	4014486464313
		3795185	1	AP1000702	4014486470857
		4702438	1	AP1002462	4014486493467
		4760486	1	AP1002548	4014486494808
		4899373	1	AP1005211	4044978222749
		5095203	1	AP1002460	4014486493436
		6500261	2	AP1002567	4014486495270
		8403632	1	AP1002060	4014486475401
		8403693	1	AP1002050	4014486475265
		8520042	1	AP1001576	4014486484816
		8602680	1	AP1002643	4014486480689
		9501182	1	AP1002579	4014486495560
		9501863	2	AP1002556	4014486494983
		9502828	1	AP1001053	4014486484403
		9506748	1	AP1002508	4014486494143
		9508557	2	AP1002575	4014486495478
		9508558	2	AP1002554	4014486494914
		9513984	1	AP1000631	4014486469837
		9514310	1	AP1000152	4014486461725
		9575059	1	AP1002571	4014486495379
		9575153	2	AP1000747	4014486471441
		9593418	1	AP1000813	4014486472370
		9593440	1	AP1000816	4014486472417
		9593464	1	AP1004077	4014486520415
		9604339	1	AP1002567	4014486495270
		9800111	1	AP1000713	4014486471038
		9814069	1	AP1001557	4014486484564
		9817374	1	AP1001876	4014486489231
		9818705	1	AP1004896	4014486740295
		9819676	1	AP1000672	4014486470420
		9829162	1	no AP	
		9831571	1	AP1003668	4014486491333
		9833619	1	AP1003137	4014486519884
		9833888	1	no AP	
		9835120	1	AP1001781	4014486487688
		9835683	1	AP1003216	4014486482393
		9835815	1	AP1002571	4014486495379
		9837412	1	AP1000573	4014486468816
		9839375	1	AP1000774	4014486471830
		9850080	1	AP1004079	4014486520446
		20471086	1	AP1001000	4014486497236
		20797305	1	AP1003650	4014486489354
		20797483	1	AP1001202	4014486497588
		20797491	1	AP1001205	4014486497625
		31295188	1	AP1001872	4014486489132
		31301147	1	AP1001704	4014486486810



CASE INTEL HARVESTER

NR.	DRIVE	PART NUMBER	SET	AP NR.	EAN
		31302068	1	AP1002256	4014486478235
		31302076	1	AP1002669	4014486482072
		31310695	2	AP1003051	4014486479300
		31314408	1	AP1002673	4014486482133
		31314408	1	AP1002673	4014486482133
		31317917	2	AP1000313	4014486465273
		31318645	1	AP1002018	4014486491524
		31318645	1	AP1002018	4014486491524
		31343437	1	AP1001574	4014486484793
		31360374	2	AP1005154	4044978203540
		47405555	1	AP1000720	4014486471120
		47406268	1	AP1004391	4014486714562
		47413433	1	AP1004438	4014486715378
		47414501	1	AP1004640	4014486718607
		47415905	1	AP1004577	4014486717693
		47419045	1	AP1000691	4014486470703
		47424854	1	AP1005324	
		47441074	1	AP1004286	4014486683165
		47452756	1	AP1001685	4014486486605
		47499273	1	AP1001831	4014486488548
		47518145	1	AP1004963	4014486920192
		47533795	1	AP1000340	
		47554214	1	AP1004150	4014486523317
		47561505	1	AP1005188	4044978222817
		47646465	1	AP1004035	4014486518474
		47649529	1	AP1005046	4014486920208
		47660908	1	AP1001958	4014486490664
		47669131	1	AP1000634	4014486469875
		47677433	1	AP1001956	4014486490626
		47860815	1	AP1001595	4014486675481
		47860816	1	AP1002717	4014486488203
		47860817	1	AP1005115	4044978143747
		47860818	1	AP1001891	4014486489484
		47865396	1	AP1003841	
		47873409	1	AP1004410	4014486717020
		47901651	1	AP1005322	
		47958701	1	AP1001657	4014486486117
		47965917	1	AP1004147	4014486523287
		47972277	1	AP1000236	4014486463378
		48003350	1	AP1002283	4014486479669
		48009502	1	AP1001613	4014486485431
		48030508	1	AP1001557	4014486484564
		48030509	1	AP1002913	4014486484601
		48033449	1	AP1004898	4014486764185
		48033456	1	AP1000653	4014486470161
		48036464	1	AP1000708	4014486470956
		48061967	1	AP1001697	4014486486735
		48103693	1	AP1004127	4014486523096
		48114650	1	AP1001853	4014486488876
		48124416	1	AP1004467	4014486715699
		48165979	1	AP1002669	
		48166008	1	AP1003189	
		48177755	1	AP1000571	4014486468793
		50404925	1	AP1004257	4014486676198
		51400100	1	AP1002457	4014486493405
		51449123	1	AP1001633	4014486485783
		51461446	1	AP1000410	4014486466737



CASE INTEL HARVESTER

NR.	DRIVE	PART NUMBER	SET	AP NR.	EAN
		51462504	1	AP1001628	4014486485684
		51478467	1	AP1005103	4044978143617
		60038063	1	AP1001892	4014486489507
		60067590	1	AP1001901	4014486489613
		60068286	1	AP1001869	4014486489095
		60121284	1	AP1003589	4014486460315
		60124334	1	AP1001944	4014486490442
		60183586	1	AP1001211	4014486497700
		60183586	1	AP1001211	4014486497700
		60186515	1	AP1001883	4014486489347
		60186515	1	AP1001883	4014486489347
		60203060	1	AP1001863	4014486489026
		60517253	1	AP1002560	4014486495102
		60517261	2	AP1003773	4014486495065
		60518004	2	AP1002534	4014486494556
		60520763	1	AP1001894	4014486489538
		61004680	1	AP1002002	4014486491289
		61020978	1	AP1001900	4014486489606
		61063633	1	AP1002010	4014486491401
		61068927	1	AP1001246	4014486492026
		61068935	1	AP1001866	4014486489064
		61068943	1	AP1001241	4014486491951
		61068968	1	AP1001308	4014486492682
		72023391	1	AP1001220	4014486497755
		72048753	1	AP1001317	4014486497908
		73180336	1	AP1000060	4014486483802
		75242369	1	AP1002571	4014486495379
		80046914	1	AP1000596	4014486469257
		80159837	3	AP1000303	4014486465068
		80347469	1	AP1000700	4014486470833
		80354115	1	AP1001494	4014486460063
		80381237	1	AP1002567	
		80392361	1	AP1003661	4014486490657
		80396749	1	AP1000577	4014486468922
		80433747	1	AP1003252	4014486518573
		80437607	1	no AP	
		80443635	1	AP1002460	4014486493436
		80446969	1	AP1001489	4014486459999
		80446970	1	AP1001496	4014486460094
		80449701	1	AP1000426	4014486466898
		80452022	1	AP1002595	4014486495980
		80452023	2	AP1002595	4014486495980
		80453267	1	AP1003311	4014486518559
		80516776	1	AP1000349	4014486466041
		80531558	2	AP1000596	4014486469257
		80543226	3	AP1002132	4014486476378
		80565498	1	AP1002132	4014486476378
		80603720	1	AP1001405	4014486459111
		80727852	1	AP1000596	4014486469257
		80746889	1	AP1000735	4014486471311
		80746890	1	AP1000744	4014486471403
		80746891	1	AP1000798	4014486472172
		80746893	1	AP1001647	4014486485998
		80746894	1	AP1001695	4014486486711
		80749144	1	AP1000559	4014486468564
		80749145	3	AP1002822	4014486464740
		80754423	1	AP1000660	4014486470246



CASE INTEL HARVESTER

NR.	DRIVE	PART NUMBER	SET	AP NR.	EAN
		80851791	1	no AP	
		80851792	1	AP1001180	4014486490183
		80913524	1	AP1000412	4014486466751
		80921330	1	AP1000785	4014486472011
		80980001	1	no AP	
		81549846	1	AP1002546	4014486494761
		81718144	1	AP1002549	4014486494815
		81718146	1	AP1002539	4014486494648
		81845565	1	AP1003727	4014486495164
		82007330	1	AP1004258	4014486676174
		82010895	1	AP1002619	4014486480122
		82012177	1	AP1002619	4014486480122
		82021010	1	AP1004260	4014486676167
		82850752	1	AP1002639	4014486480528
		82850752	1	AP1002639	4014486480528
		83949803	1	AP1004724	4014486716504
		84000190	1	AP1001694	4014486486704
		84001336	1	AP1001776	4014486487626
		84002709	1	AP1000583	4014486469035
		84005357	1	AP1002758	4014486463156
		84005861	1	AP1002639	4014486480528
		84005971	1	AP1000826	4014486472523
		84005972	1	AP1000829	4014486472554
		84007006	1	AP1001766	4014486519570
		84007677	1	AP1001783	4014486519648
		84012390	1	AP1002026	4014486491616
		84012562	1	AP1004612	4014486717426
		84017753	1	AP1003038	4014486491784
		84018998	1	AP1000831	4014486472578
		84019041	1	AP1000730	4014486471229
		84019385	1	AP1000834	4014486472608
		84021589	2	AP1004052	4014486484045
		84023913	1	AP1002677	4014486482195
		84024926	1	AP1003366	4014486460872
		84026668	1	AP1000667	4014486470345
		84026762	1	AP1002746	4014486461862
		84026892	1	AP1000571	4014486468793
		84036578	1	AP1002929	4014486519853
		84036579	2	AP1001165	4014486491760
		84038109	1	AP1004061	4014486518726
		84041069	1	AP1001711	4014486486896
		84041070	1	AP1001707	4014486486841
		84041094	1	AP1001712	4014486486902
		84041095	1	AP1001708	4014486486858
		87041731	1	AP1003355	
		84042180	1	no AP	
		84043106	2	AP1002823	4014486464788
		84043107	1	AP1000290	4014486464771
		84045018	1	AP1000712	4014486471021
		84045444	3	AP1004421	4014486714890
		84045751	1	AP1002602	4014486496093
		84045959	1	AP1000672	4014486470420
		84054417	1	AP1001007	4014486487893
		84056914	1	AP1002927	4014486518504
		84057609	2	AP1000294	4014486464856
		84057610	1	AP1000294	4014486464856
		84058063	1	no AP	



CASE INTEL HARVESTER

NR.	DRIVE	PART NUMBER	SET	AP NR.	EAN
		84058255	1	AP1000650	4014486470123
		84073615	2	AP1002824	4014486464962
		84074272	1	AP1002659	4014486519167
		84074273	8	AP1002145	4014486476590
		84075053	1	AP1002691	4014486518542
		84075677	4	AP1001342	4014486474541
		84075683	1	AP1002172	4014486519006
		84078581	1	no AP	
		84127377	1	AP1004629	4014486719543
		84137560	1	no AP	
		84137716	1	AP1004925	4014486862157
		84137965	1	AP1001637	4014486485868
		84139175	1	AP1004498	4014486717013
		84148387	1	AP1001249	4014486492057
		84163222	1	AP1004926	4014486862140
		84168012	1	AP1001647	4014486485998
		84171789	1	AP1004314	4014486717181
		84172256	1	AP1004444	4014486715439
		84175581	1	AP1001636	4014486485844
		84175582	1	AP1005033	4014486920406
		84180490	1	AP1004425	4014486714968
		84185033	1	AP1002556	4014486494983
		84185053	1	AP1002543	4014486494723
		84188121	1	AP1003643	4014486489156
		84188501	1	no AP	
		84191907	1	AP1001767	4014486487510
		84192753	1	AP1004546	4014486719673
		84194650	1	AP1004899	4014486772098
		84215838	1	AP1003254	4014486482911
		84223612	1	AP1002627	4014486480207
		84226318	1	AP1000674	4014486470468
		84238513	1	AP1003718	4014486519365
		84240788	2	AP1002971	4014486495423
		84243629	1	AP1002521	4014486494389
		84254480	1	AP1001865	4014486489057
		84254495	1	AP1003634	4014486488623
		84256364	1	AP1004466	4014486715675
		84256369	1	AP1004850	4014486717204
		84257945	1	AP1003189	4014486481785
		84262973	1	AP1003935	4014486491029
		84262995	1	no AP	
		84271496	1	AP1004724	4014486716504
		84274885	1	AP1004533	4014486718829
		84284322	1	AP1001563	4014486484656
		84284468	1	AP1001681	4014486486513
		84286546	1	AP1002599	4014486496055
		84286835	1	AP1004520	4014486717266
		84287970	1	AP1003939	4014486486049
		84292913	1	AP1002679	
		84296393	1	AP1004653	4014486718676
		84298887	1	AP1004583	4014486717754
		84298895	1	AP1004581	4014486717730
		84299873	1	AP1004310	4014486719604
		84311543	1	AP1004006	4014486519402
		84320459	1	AP1000671	4014486470390
		84342685	1	AP1003977	4014486519037
		84342686	1	AP1003976	4014486519051



CASE INTEL HARVESTER

NR.	DRIVE	PART NUMBER	SET	AP NR.	EAN
		84346830	1	AP1003940	4014486481532
		84352807	1	AP1001685	4014486486605
		84352808	1	AP1004286	4014486683165
		84356659	1	AP1004628	4014486719536
		84365262	1	AP1005071	4044978005229
		84365709	1	AP1004826	4014486719321
		84373502	1	AP1003200	4014486481952
		84376536	1	AP1001603	4014486485257
		84381274	1	AP1004186	4014486554373
		84384813	1	no AP	
		84394081	1	AP1004503	4014486717556
		84395801	1	AP1002537	
		84397971	1	AP1002644	4014486480696
		84398996	1	AP1001823	4014486488425
		84398997	1	AP1001838	4014486488647
		84406044	1	AP1005070	4044978005212
		84398998	1	AP1004574	4014486717648
		84411381	1	AP1005149	4044978203571
		84423385	1	AP1002686	4014486482720
		84435248	1	AP1001187	4014486490251
		84440188	1	AP1000806	4014486472295
		84448759	1	AP1004650	4014486718645
		84449048	1	AP1004602	4014486717952
		84449232	1	AP1004649	4014486721348
		84449233	1	AP1004648	4014486721331
		84449518	1	AP1002584	4014486495706
		84449662	1	AP1003355	4014486470321
		84449861	1	AP1004654	4014486718683
		84452723	2	AP1004836	4014486714876
		84452979	2	AP1004906	4014486868531
		84455757	2	AP1004833	4014486714579
		84455758	2	AP1000265	4014486464207
		84455765	2	AP1004833	4014486714579
		84455766	2	AP1000265	4014486464207
		84457069	1	AP1004698	4014486721355
		84458482	1	AP1004669	4014486719703
		84459680	1	AP1004605	4014486718515
		84472848	1	no AP	
		84493479	1	no AP	
		84493480	1	no AP	
		84511734	1	AP1004652	4014486718669
		84513766	1	AP1005149	4044978203571
		84514757	1	AP1001838	4014486488647
		84518497	1	AP1002627	4014486480207
		84522809	1	AP1005034	4014486920413
		84531713	1	AP1003719	4014486519297
		84533502	1	AP1004006	4014486519402
		84582506	1	AP1004575	4014486717662
		84582509	1	AP1004623	4014486717532
		84586129	1	AP1005070	
		84589012	1	no AP	
		84589013	1	AP1004581	4014486717730
		84590653	1	AP1003170	4014486481471
		84814035	1	AP1001188	4014486490268
		84817621	1	AP1000620	4014486469608
		84817622	1	AP1005157	4044978203489
		84817624	1	AP1003341	4014486462999



CASE INTEL HARVESTER

NR.	DRIVE	PART NUMBER	SET	AP NR.	EAN
		84817625	1	AP1000321	4014486465419
		84817633	1	AP1001657	4014486486117
		84817634	1	AP1002026	4014486491616
		84817637	1	AP1003617	4014486486780
		84817638	1	AP1003807	4014486483048
		84817640	1	AP1005124	4044978162939
		84981849	1	AP1001493	4014486460032
		84993224	1	AP1001488	4014486459975
		84996134	1	AP1001715	4014486486964
		84999531	1	AP1001168	4014486491791
		85826230	1	AP1003129	4014486480832
		86011009	1	AP1004690	4014486716412
		86514512	1	AP1004374	4014486714197
		86514520	1	AP1000232	4014486463262
		86514607	1	AP1005032	4014486920369
		86514611	1	AP1002539	4014486494648
		86514615	1	AP1004724	4014486716504
		86514616	1	AP1004723	4014486716498
		86516699	1	AP1004879	4014486716580
		86517680	1	AP1001853	4014486488876
		86518569	1	no AP	
		86547070	1	AP1001713	4014486486919
		86566286	1	AP1001627	4014486485660
		86566606	1	AP1001978	4014486490954
		86582818	1	AP1004615	4014486717457
		86595191	1	AP1005137	4044978203397
		86596143	1	no AP	
		86610860	1	no AP	
		86627791	1	AP1001942	4014486490428
		86627796	1	AP1003356	4014486486131
		86627797	1	no AP	
		86627808	1	AP1004609	4014486717396
		86627809	1	AP1004608	4014486717969
		86629764	1	AP1004414	4014486714791
		86633896	1	AP1000607	4014486469455
		86634492	1	AP1001350	4014486474633
		86976208	1	AP1005072	4044978005724
		86982450	1	AP1003132	4014486480894
		86988710	1	AP1001616	4014486485462
		87012453	1	AP1001969	4014486490800
		87027209	1	AP1000671	4014486470390
		87030923	1	AP1004613	4014486717433
		87031779	1	AP1004127	4014486523096
		87061270	1	AP1000667	4014486470345
		87061591	1	AP1000642	4014486470017
		87282305	1	AP1004182	4014486523850
		87283139	1	AP1001373	4014486474879
		87301455	1	AP1004898	4014486764185
		87309958	1	AP1002664	4014486481945
		87316555	1	AP1002648	4014486480870
		87316556	1	AP1002636	4014486480405
		87325327	1	AP1004793	4014486719505
		87330903	1	AP1001616	4014486485462
		87332161	1	AP1004924	4014486862164
		87346514	1	AP1004497	4014486717006
		87346859	1	AP1002601	4014486496086
		87354138	1	AP1003171	4014486481488



CASE INTEL HARVESTER

NR.	DRIVE	PART NUMBER	SET	AP NR.	EAN
		87354141	1	AP1004851	4014486716542
		87366024	1	AP1003698	4014486494099
		87368902	1	AP1001680	4014486486506
		87373569	1	AP1002529	4014486494488
		87374574	1	AP1004722	4014486716733
		87375325	1	AP1004548	4014486719697
		87384158	1	AP1002328	4014486478570
		87393905	1	AP1001558	4014486484571
		87397416	1	AP1002656	4014486481396
		87415774	1	AP1003125	4014486480788
		87429954	1	AP1002552	4014486494877
		87456836	2	AP1003044	4014486479850
		87476486	1	AP1004065	4014486519020
		87476487	1	AP1004064	4014486519044
		87491779	1	AP1004252	4014486675993
		87518813	1	AP1003368	4014486461060
		87519458	1	AP1003184	4014486481679
		87526139	1	AP1002589	4014486495836
		87526140	2	AP1002589	4014486495836
		87527868	1	AP1004591	4014486717839
		87528118	6	AP1004692	4014486719413
		87528805	1	AP1000730	4014486471229
		87531466	6	AP1004692	4014486719413
		87540195	1	no AP	
		87549556	1	AP1001841	4014486488708
		87564450	1	AP1001620	4014486485516
		87564452	1	AP1001616	4014486485462
		87564549	1	AP1001616	4014486485462
		87567471	1	AP1002521	4014486494389
		87572660	1	AP1004406	4014486714722
		87583899	1	AP1001877	4014486489255
		87583907	1	AP1005326	
		87628477	1	AP1003356	4014486486131
		87628478	1	AP1003618	4014486486865
		87630521	1	AP1003132	4014486480894
		87641387	1	AP1004369	4014486714135
		87642957	1	AP1000693	4014486470741
		87653464	1	AP1004383	4014486714531
		87655953	1	no AP	
		87656225	1	AP1004357	4014486714012
		87656270	1	AP1004659	4014486718737
		87664231	1	AP1004524	4014486718317
		87664231	1	AP1004524	4014486718317
		87671290	1	AP1004718	4014486716672
		87671291	2	AP1004717	4014486716689
		87671748	1	AP1004532	4014486718379
		87671939	1	AP1004889	4014486717549
		87673234	1	AP1004373	4014486714180
		87683178	1	AP1004115	4014486522907
		87699094	1	AP1003941	4014486481563
		87710661	1	AP1005323	
		87721960	1	AP1001850	4014486488838
		87721960	1	AP1001850	4014486488838
		87739437	1	AP1002811	4014486462920
		87741240	1	AP1001914	4014486489774
		87747431	1	AP1001876	4014486489231
		87755884	1	AP1003195	4014486481884



CASE INTEL HARVESTER

NR.	DRIVE	PART NUMBER	SET	AP NR.	EAN
		87758085	1	AP1004376	4014486714210
		87800129	1	AP1002569	4014486495331
		89505865	1	AP1001654	4014486486070
		89506463	1	AP1001690	4014486486643
		89507997	1	AP1004413	4014486714784
		89509459	1	AP1000163	4014486461855
		89510091	1	AP1003431	4014486464313
		89513440	8	AP1002138	4014486476514
		89515166	3	AP1002120	4014486476224
		89515167	3	AP1002865	4014486520224
		89515172	2	AP1000546	4014486468328
		89515713	3	AP1000275	4014486464467
		89516212	1	AP1001206	4014486519150
		89811480	1	AP1003616	4014486486667
		89811963	1	AP1001695	4014486486711
		89813594	1	AP1000399	4014486466621
		89817249	1	no AP	
		89817439	1	AP1000593	4014486469202
		89817548	1	AP1003996	4014486518849
		89819506	1	AP1001693	4014486486698
		89819507	1	AP1001699	4014486486759
		89819509	1	AP1001692	4014486486674
		89831571	1	AP1003668	4014486491333
		89831693	1	AP1002445	4014486493245
		89831694	1	AP1002448	4014486493283
		89831695	1	AP1000012	4014486483291
		89831696	1	AP1002450	4014486493306
		89831697	1	AP1002454	4014486493368
		89831698	1	AP1002452	4014486493337
		89831699	1	AP1002456	4014486493399
		89831700	1	AP1002457	4014486493405
		89831701	1	AP1002460	4014486493436
		89831702	1	AP1002462	4014486493467
		89831703	1	AP1002465	4014486493504
		89831704	1	AP1002468	4014486493542
		89831705	1	AP1002471	4014486493573
		89831706	1	AP1002473	4014486493597
		89831707	1	AP1002475	4014486493627
		89831708	1	AP1002478	4014486493696
		89831709	1	AP1002933	4014486493757
		89831710	1	AP1002483	4014486493801
		89831711	1	AP1002920	4014486493849
		89831712	1	AP1002922	4014486493887
		89831713	1	AP1002488	4014486493900
		89831714	1	AP1002490	4014486493931
		89831715	1	AP1002492	4014486493955
		89831716	1	AP1002494	4014486493986
		89831717	1	AP1002495	4014486494006
		89831718	1	AP1002496	4014486494013
		89831719	1	AP1002497	4014486494020
		89831720	1	AP1002499	4014486494051
		89831721	1	AP1002461	4014486493450
		89831722	1	AP1002505	4014486494105
		89831723	1	AP1002507	4014486494129
		89831724	1	AP1002508	4014486494143
		89831725	1	AP1002512	4014486494204
		89831726	1	AP1002514	4014486494266



CASE INTEL HARVESTER

NR.	DRIVE	PART NUMBER	SET	AP NR.	EAN
		89831727	1	AP1002515	4014486494297
		89831728	1	AP1002521	4014486494389
		89831729	1	AP1002534	4014486494556
		89831730	1	AP1002537	4014486494600
		89831731	1	AP1002539	4014486494648
		89831732	1	AP1002543	4014486494723
		89831733	1	AP1002547	4014486494778
		89831734	1	AP1002549	4014486494815
		89831735	1	AP1002551	4014486494846
		89831736	1	AP1002554	4014486494914
		89831737	1	AP1002556	4014486494983
		89831738	1	AP1002558	4014486495034
		89831739	1	AP1002560	4014486495102
		89831740	1	AP1002562	4014486495157
		89831741	1	AP1002567	4014486495270
		89831742	1	AP1002571	4014486495379
		89831743	1	AP1002575	4014486495478
		89831744	1	AP1002579	4014486495560
		89831745	1	AP1002582	4014486495638
		89831746	1	AP1002584	4014486495706
		89831747	1	AP1002588	4014486495812
		89831748	1	AP1002593	4014486495904
		89831749	1	AP1002594	4014486495942
		89831750	1	AP1002595	4014486495980
		89831751	1	AP1002598	4014486496031
		89831752	1	AP1002599	4014486496055
		89833888	1	no AP	
		89835010	1	AP1000726	4014486471182
		89835047	1	AP1000827	4014486472547
		89850532	1	AP1002147	4014486476613
		99466943	2	AP1002555	4014486494945
		99466947	1	AP1002555	4014486494945
		209553078	1	AP1002124	4014486476279
		340433153	1	AP1000127	4014486461411
		419375000	2	AP1005136	4044978203380
		500380059	1	AP1003718	4014486519365
		500386112	2	AP1002555	4014486494945
		700707578	1	no AP	
		700707586	1	AP1004937	4014486895360
		700711518	1	no AP	
		770000722	1	AP1001629	4014486485714
		770000980	1	AP1001894	4014486489538
		770001008	1	AP1001742	4014486487268
		770002330	1	AP1001721	4014486487039
		842373502	1	AP1003200	4014486481952
		873541380	1	AP1003171	4014486481488
		873541410	1	AP1004851	4014486716542
		873735690	1	AP1002529	4014486494488
		875556830	1	AP1004157	4014486523362
		4031832698	1	AP1003947	4014486497632
		4032804396	1	AP1003948	4014486497649
		4032807784	1	AP1003949	4014486490152
		4032808262	1	AP1001828	4014486488494
		4131775305	1	AP1001202	4014486497588
		4131775313	2	AP1002213	4014486477641
		4131781055	1	AP1001557	4014486484564
		4131781578	2	AP1003036	4014486477733



CASE INTEL HARVESTER

NR.	DRIVE	PART NUMBER	SET	AP NR.	EAN
		4221613143	1	AP1000897	4014486473407
		4221668157	1	no AP	
		4221668181	1	AP1001204	4014486497618
		4240053761	2	AP1002122	4014486476248
		4247047693	1	AP1000000	4014486458961
		4250121764	1	AP1003650	4014486489354
		4250121860	1	AP1000998	4014486520460
		4250121877	1	AP1001202	4014486497588
		4250121885	1	AP1001205	4014486497625
		4250129730	2	AP1005155	4044978203557
		4250129747	1	AP1003314	4014486477832
		4250129755	1	AP1002228	4014486477887
		4254138496	2	AP1002349	4014486478822
		4254138824	1	AP1002218	4014486477726
		4254138832	1	AP1002185	4014486477290
		4254138840	1	AP1004771	4014486716832
		4254138857	1	AP1002124	4014486476279
		4255643332	1	AP1000623	4014486469684
		4260699985	1	AP1001901	4014486489613
		4260699993	1	AP1001516	4014486460353
		4260700007	1	AP1002721	4014486476927
		4260700015	1	AP1002135	4014486476477
		4260700023	2	AP1002721	4014486476927
		4260700031	2	AP1002100	4014486475951
		4260703838	1	AP1002280	4014486478488
		4260703846	1	AP1002263	4014486478303
		4260703926	1	AP1000906	4014486473537
		4264715364	1	AP1004062	4014486469875
		4270717737	1	AP1001944	4014486490442
		4270722236	1	AP1003361	4014486485752
		4270722244	1	AP1003589	4014486460315
		4270722252	1	AP1002400	4014486479416
		4270722517	2	AP1003052	4014486479423
		9351017400	1	AP1001630	4014486485738
		9911860435	1	AP1000906	4014486473537
		9911860628	2	AP1000615	4014486469530
		9911860958	1	AP1001178	4014486497502
		9911861364	1	no AP	
		9911861477	1	AP1002065	4014486475456
		9911861493	1	AP1002127	4014486476309
		9911861516	1	AP1005154	4044978203540
		9911861524	1	AP1002218	4014486477726
		9911861540	1	AP1002223	4014486477795
		9911861612	1	AP1002148	4014486476637
		9911861717	2	AP1002110	4014486476071
		9911861725	1	AP1002110	4014486476071
		9911861862	1	AP1002237	4014486478013
		9911861901	1	AP1002228	4014486477887
		9911861918	2	AP1002065	4014486475456
		9911861926	2	AP1005155	4044978203557
		9911862043	2	AP1002074	4014486475623
		14010060002	1	AP1002475	4014486493627
		51102171670	1	AP1001556	4014486484557
		51102174610	1	AP1001678	4014486486476
		51651131427	1	AP1000119	4014486461305
		51651132765	1	AP1000156	4014486461787
		51651170965	1	AP1003383	4014486462241



CASE INTEL HARVESTER

NR.	DRIVE	PART NUMBER	SET	AP NR.	EAN
		51651170975	1	AP1003384	4014486462272
		51651171700	1	AP1000243	4014486463613
		51651171930	1	AP1000260	4014486464108
		51651172413	1	AP1000300	4014486464979
		51651173861	1	AP1004437	4014486715361
		51651221725	1	AP1000561	4014486468601
		51651221981	1	AP1000584	4014486469028
		51651222413	1	AP1000620	4014486469608
		51651222650	1	AP1000643	4014486470031
		51651222800	1	AP1000659	4014486470239
		51651223505	1	AP1000720	4014486471120
		51651255246	1	AP1000927	4014486473773
		51651321480	1	AP1001408	4014486459159
		51651453200	1	AP1001490	4014486460001
		51651502130	1	AP1001508	4014486460247
		51652131450	1	AP1000120	4014486461312
		51652171372	1	AP1000221	4014486462852
		51652171800	1	AP1005149	4044978203571
		51652172200	1	AP1001585	4014486484953
		51652172500	1	AP1001602	4014486485240
		51652174225	1	AP1001668	4014486486315
		51652174350	1	AP1003614	4014486486414
		51652175000	1	AP1001690	4014486486643
		51653173180	1	AP1001859	4014486488944
		51653173762	1	AP1003649	4014486489323
		51654172420	1	AP1001956	4014486490633
		3228287 R91	2	AP1002575	4014486495478
		J911587	1	AP1002651	4014486481143
		003795185	1	AP1000702	4014486470857
		00422731	1	AP1000696	4014486470772
		00921330	1	AP1000785	4014486472011
		01100788	1	AP1002052	4014486475296
		01101723	1	AP1000243	4014486463613
		01101811	1	AP1001579	4014486484861
		01101908	3	no AP	
		01103493	2	no AP	
		01103821	2	AP1000211	4014486462593
		01104002	1	AP1000224	4014486462913
		01108473	1	AP1000578	4014486468939
		01108520	1	AP1003503	4014486469103
		01109023	1	AP1002322	4014486480108
		01109080	1	AP1002406	4014486479508
		01109312	1	no AP	
		01111067	1	AP1002039	4014486475142
		01111227	1	AP1002219	4014486477740
		01111661	1	AP1002391	4014486479324
		01111678	1	AP1003693	4014486479294
		01111717	1	AP1002396	4014486479379
		01111725	1	AP1004771	4014486716832
		01111766	1	AP1000179	4014486462081
		01111887	2	AP1002213	4014486477641
		01111895	2	AP1003036	4014486477733
		01112277	3	AP1002223	4014486477795
		01112605	4	AP1002181	4014486477238
		01113116	1	AP1001626	4014486485653
		01113501	1	AP1001570	4014486484731
		01113550	1	AP1005153	4044978203533



CASE INTEL HARVESTER

NR.	DRIVE	PART NUMBER	SET	AP NR.	EAN
		01113864	1	AP1002721	4014486476927
		01113872	1	AP1000179	4014486462081
		01113880	1	AP1004083	4014486476972
		01113897	1	AP1000178	4014486462074
		01113928	1	AP1002344	4014486478778
		01113950	3	AP1002123	4014486476262
		011170198	1	AP1003611	4014486486230
		01145629	4	AP1004102	4014486520743
		01169686	5	AP1002209	4014486477603
		01169694	1	AP1002191	4014486477382
		01170132	1	AP1001639	4014486485905
		020476355	1	AP1002148	4014486476637
		020953053	1	AP1002185	4014486477290
		020953061	1	AP1004771	4014486716832
		021189838	1	AP1004062	4014486469875
		021206287	1	AP1002143	4014486476552
		021365202	1	AP1003609	4014486485899
		04-113516	1	AP1003577	4014486492347
		04-113518	1	AP1001256	4014486492132
		04-113598	1	AP1001946	4014486490480
		04-114742	1	AP1003579	4014486492743
		04-119434	1	AP1002025	4014486491609
		04-122838	1	AP1001255	4014486492125
		04-133180	1	AP1001232	4014486491869
		060007646	2	AP1002721	4014486476927
		060038666	1	AP1002280	4014486478488
		060067605	1	AP1001649	4014486486018
		060067638	1	AP1002135	4014486476477
		060067646	2	AP1002721	4014486476927
		060067654	2	AP1002100	4014486475951
		060143490	1	AP1002198	4014486477481
		060143505	2	AP1002132	4014486476378
		060178276	1	AP1001622	4014486485554
		060187034	1	AP1002257	4014486478242
		060187276	1	AP1001622	4014486485554
		060187284	1	AP1000714	4014486471045
		060187284	1	AP1000714	4014486471045
		060190778	1	AP1000688	4014486470680
		060190786	1	AP1000637	4014486469943
		060191762	2	AP1002060	4014486475401
		060206963	2	AP1004750	4014486719147
		060206971	2	AP1002070	4014486475531
		060206988	1	AP1000041	4014486460780
		060500044	2	AP1002747	4014486461015
		060500108	2	AP1002347	4014486478808
		060500116	2	AP1002352	4014486478853
		060506933	2	AP1002409	4014486479539
		060519150	1	AP1001676	4014486486421
		061009082	1	AP1002202	4014486477528
		061009396	3	AP1002110	4014486476071
		061009402	2	AP1005153	4044978203533
		061015851	2	AP1004703	4014486719284
		061017105	1	AP1002282	4014486478501
		061020986	1	AP1001647	4014486485998
		061029584	1	AP1002264	4014486478310
		061033443	1	AP1002151	4014486476699
		061036454	1	AP1001628	4014486485684



CASE INTEL HARVESTER

NR.	DRIVE	PART NUMBER	SET	AP NR.	EAN
		061067790	2	AP1000371	4014486466348
		061068951	1	AP1001659	4014486486155
		061068976	2	AP1002132	4014486476378
		061068984	2	AP1002390	4014486479317
		061068992	2	AP1003051	4014486479300
		061069028	1	AP1002201	4014486477511
		061069036	1	AP1002389	4014486479287
		0616355	1	AP1000662	4014486470260
		082.383/28	1	AP1002560	4014486495102
		082.383/42	2	AP1002961	4014486495058
		10VX00C	1	AP1004025	4014486519099
		1113096X1	1	AP1001771	4014486487565
		1113097C2	1	AP1001144	4014486490077
		130100060017	1	AP1002478	4014486493696
		130100060018	2	AP1002478	4014486493696
		1301000600181	2	AP1002478	4014486493696
		130100130041	1	AP1002551	4014486494846
		1301001300411	1	AP1002551	4014486494846
		130100130071	1	AP1002560	4014486495102
		130100130072	1	AP1002595	4014486495980
		130100130112	1	AP1002575	4014486495478
		130100130113	1	AP1002598	4014486496031
		130300060002	1	AP1002551	4014486494846
		1303000600021	1	AP1002551	4014486494846
		130800060010	1	AP1002471	4014486493573
		1316573C2	1	no AP	
		132000060012	1	AP1002571	4014486495379
		1320000600121	1	AP1002571	4014486495379
		132000130020	1	AP1002512	4014486494204
		1320001300201	4	AP1002512	4014486494204
		132000130021	1	AP1002560	4014486495102
		1320001300211	1	AP1003726	4014486495096
		1321564C1	1	AP1002316	4014486480047
		1325050C1	1	AP1000748	4014486471458
		1329161C1	1	no AP	
		1330311C1	1	AP1000247	4014486463750
		1374-310-379	1	AP1001408	4014486459159
		1374-310-380	1	AP1001490	4014486460001
		1374-310-381	1	AP1001408	4014486459159
		1374-310-400	1	AP1000220	4014486462838
		1374-310-401	2	AP1000301	4014486465006
		1374-310-403	1	AP1000931	4014486473810
		1374-310-407	1	AP1001811	4014486488234
		1374-310-418	2	AP1000123	4014486461350
		1374-310-420	1	AP1001413	4014486459203
		1374-310-421	1	AP1001508	4014486460247
		1374-310-425	1	AP1000615	4014486469530
		1374-390-129	1	AP1003615	4014486486490
		1374-390-157	1	AP1001840	4014486488661
		1374-390-255	1	AP1004428	4014486715279
		1374-390-275	1	AP1004488	4014486715873
		139900130003	1	AP1002567	4014486495270
		1399001300031	1	AP1002567	4014486495270
		139900270174	2	AP1000030	4014486483529
		139900270236	2	AP1001172	4014486497342
		139900270270	2	AP1002594	4014486495942
		139900270408	1	AP1002074	4014486475623



CASE INTEL HARVESTER

NR.	DRIVE	PART NUMBER	SET	AP NR.	EAN
		139900270478	2	AP1001218	4014486497519
		140100060001	1	AP1002475	4014486493627
		140100060002	2	AP1002475	4014486493627
		1401000600021	2	AP1002475	4014486493627
		140100130131	1	AP1002594	4014486495942
		140100130132	1	AP1002562	4014486495157
		1401001301311	1	AP1002594	4014486495942
		1401001301321	1	AP1003727	4014486495164
		1411000600141	1	AP1002478	4014486493696
		1413C060017	1	AP1002575	4014486495478
		142000060001	2	AP1003727	4014486495164
		1420000600011	2	AP1003727	4014486495164
		142000060011	2	AP1003727	4014486495164
		1420000600111	1	AP1003727	4014486495164
		142000060012	2	AP1002569	4014486495331
		1420000600121	1	AP1002569	4014486495331
		142000130004	1	AP1002521	4014486494389
		1420001300041	1	AP1002521	4014486494389
		142000130005	1	AP1002526	4014486494440
		1420001300051	1	AP1002526	4014486494440
		159639A1	1	AP1004034	4014486518467
		1609B130009	1	AP1000015	4014486483321
		161200090098	1	AP1002460	4014486493436
		16131DA	1	AP1000533	4014486468137
		162000060001	1	AP1002571	4014486495379
		162000060005	1	AP1002575	4014486495478
		1620000600051	1	AP1002575	4014486495478
		162000060006	1	AP1002569	4014486495331
		1620000600061	1	AP1002569	4014486495331
		162000060007	1	AP1002582	4014486495638
		162000060007(1)	1	AP1002582	4014486495638
		1620000600071	1	AP1002582	4014486495638
		162000130003	1	AP1002579	4014486495560
		1620001300031	1	AP1002579	4014486495560
		162000130004	1	AP1002514	4014486494266
		1620001300041	1	AP1002514	4014486494266
		162000130007	1	AP1002515	4014486494297
		1620001300071	1	AP1002515	4014486494297
		162000130046	1	AP1002512	4014486494204
		1620001300461	1	AP1002512	4014486494204
		1620001300741	1	AP1002521	4014486494389
		162000131001	1	AP1002521	4014486494389
		178019R1	1	AP1000625	4014486469738
		1806189C1	1	AP1002529	4014486494488
		181055C11	1	AP1001374	4014486474886
		182819C1	1	AP1000741	4014486471373
		188213C3	1	AP1000692	4014486470710
		190003140006	1	AP1002547	4014486494778
		190003140007	1	AP1002475	4014486493627
		190003140013	1	AP1002483	4014486493801
		190003140020	1	AP1002594	4014486495942
		190003140029	1	AP1002453	4014486493351
		190003140030	1	AP1002451	4014486493313
		190003140032	2	AP1002475	4014486493627
		190003140035	4	AP1002512	4014486494204
		190003140037	1	AP1002558	4014486495034
		190003140039	4	AP1002508	4014486494143



CASE INTEL HARVESTER

NR.	DRIVE	PART NUMBER	SET	AP NR.	EAN
		190003140041	1	AP1002478	4014486493696
		190003140047	1	AP1002554	4014486494914
		190003140053	2	AP1002567	4014486495270
		190003140054	1	AP1002442	4014486493207
		190003140062	1	AP1002556	4014486494983
		190003140064	3	AP1002539	4014486494648
		190003140073	1	AP1002529	4014486494488
		190003140078	1	AP1002512	4014486494204
		190003140079	1	AP1000022	4014486483420
		190003140080	1	AP1000185	4014486462142
		190003140081	1	AP1002521	4014486494389
		190003140083	2	AP1002551	4014486494846
		190003140084	1	AP1002514	4014486494266
		190003141018	1	AP1002468	4014486493542
		190003142270	2	AP1002444	4014486493221
		190003142272	2	AP1002447	4014486493269
		190003142273	2	AP1002451	4014486493313
		190003142275	1	AP1002447	4014486493269
		190003142278	1	AP1002443	4014486493214
		190003142284	1	AP1002442	4014486493207
		190003142287	1	AP1002443	4014486493214
		190003142290	1	AP1003321	4014486483215
		190003142291	1	AP1002448	4014486493283
		190003142293	1	AP1002445	4014486493245
		190003142295	1	AP1002450	4014486493306
		190003142304	1	AP1005041	4014486920444
		190003142309	1	AP1002457	4014486493405
		190003142313	1	AP1002473	4014486493597
		190003142325	2	AP1002483	4014486493801
		190003142332	1	AP1000012	4014486483291
		190003142334	2	AP1002920	4014486493849
		190003142340	2	AP1002933	4014486493757
		190003142350	2	AP1002494	4014486493986
		190003142357	2	AP1002455	4014486493375
		190003142358	1	AP1002922	4014486493887
		190003142503	1	AP1000044	4014486483635
		190003142504	1	AP1002520	4014486494358
		190003142508	1	AP1002505	4014486494105
		190003142516	2	AP1002512	4014486494204
		190003142521	1	AP1004851	4014486716542
		190003142523	1	AP1002515	4014486494297
		190003142525	1	AP1002558	4014486495034
		190003142526	4	AP1002507	4014486494129
		190003142527	4	AP1002515	4014486494297
		190003142532	1	AP1000054	
		190003142543	2	AP1002549	4014486494815
		190003142557	1	AP1002562	4014486495157
		190003142558	1	AP1002571	4014486495379
		190003142590	3	AP1002507	4014486494129
		190003142710	1	AP1000194	4014486462289
		190003142718	1	AP1004036	4014486518481
		190003142802	1	AP1000492	4014486467642
		190003143470	1	AP1002452	4014486493337
		190003149999	1	AP1002343	4014486478761
		194528C2	1	AP1003471	4014486519754
		1970116C2	1	AP1000625	4014486469738
		1979606C2	1	AP1003342	4014486462982



CASE INTEL HARVESTER

NR.	DRIVE	PART NUMBER	SET	AP NR.	EAN
		244420A3	1	no AP	
		244420A4	1	AP1004746	4014486720341
		244422A3	1	AP1004747	4014486720358
		244422A4	1	AP1004747	4014486720358
		244423A3	1	AP1004748	4014486720365
		244423A4	1	AP1004748	4014486720365
		244423A5	1	no AP	
		247426A1	1	AP1004061	4014486518726
		247428A1	1	AP1003917	4014486518764
		288648A1	2	AP1003044	4014486479850
		289198A1	2	AP1004804	4014486720488
		289199A1	1	AP1004805	4014486479829
		294462A1	1	AP1000107	4014486461114
		299659A1	2	AP1002933	4014486493757
		303416R1	1	AP1002551	4014486494846
		3043167R1	1	AP1002571	4014486495379
		3050382R1	1	AP1002468	4014486493542
		3055525R1	1	AP1002560	4014486495102
		3055526R1	1	AP1002586	4014486495775
		3055715R91	1	AP1002556	4014486494983
		3060802R2	1	AP1002575	4014486495478
		3061786R2	1	AP1002314	4014486480023
		3068879R1	1	AP1002529	4014486494488
		3068901R1	1	AP1002525	4014486494433
		3069379R1	1	AP1000094	4014486460926
		3113342R1	1	AP1002586	4014486495775
		3119750R1	1	AP1002446	4014486493252
		31275207N1	2	AP1004228	4014486675634
		31275280N1	1	AP1002441	4014486493191
		31302068	1	AP1002256	4014486478235
		31310695	2	AP1003051	4014486479300
		3131095	2	AP1003051	4014486479300
		31323185	2	AP1000388	4014486466515
		3136257R1	1	AP1002558	4014486495034
		3136421R1	2	AP1002582	4014486495638
		3136663R1	1	AP1002575	4014486495478
		3138663R1	1	AP1002575	
		3139157R91	2	AP1002589	4014486495836
		31400010	1	AP1002586	4014486495775
		3142280	1	AP1002447	4014486493269
		3142541	1	AP1002539	4014486494648
		3142558	1	AP1003730	4014486495287
		3144098R91	2	AP1002594	4014486495942
		3144678R1	1	AP1002558	4014486495034
		3155068R1	1	AP1001446	4014486459548
		3156215R1	1	AP1001463	4014486459739
		3157009R1	1	AP1001478	4014486459883
		3157738R2	1	AP1001115	4014486496987
		3157739R1	4	AP1002828	4014486466270
		3158242R1	1	AP1001477	4014486459876
		3171057R2	1	AP1000130	4014486461466
		3172232R1	1	AP1003401	4014486463095
		3172275R1	1	AP1001366	4014486474800
		3172404R1	4	AP1000309	4014486465174
		3173726R1	1	AP1001889	4014486489460
		3175036R2	1	AP1001101	4014486496833
		3175078R1	1	AP1001885	4014486489415



CASE INTEL HARVESTER

NR.	DRIVE	PART NUMBER	SET	AP NR.	EAN
		3175457R1	1	AP1000264	4014486464214
		3175578R1	3	AP1002094	4014486475876
		3176558R1	4	AP1002103	4014486475999
		3218043R1	1	AP1002537	4014486494600
		3218802R1	2	AP1002598	4014486496031
		3218951R1	1	AP1002560	4014486495102
		3218952R1	1	AP1002571	4014486495379
		3228131R1	1	AP1002543	4014486494723
		3228274R1	1	AP1002551	4014486494846
		3228279R1	1	AP1002547	4014486494778
		3228282R1	1	AP1002534	4014486494556
		3228287R1	2	AP1002575	4014486495478
		3228287R91	2	AP1002575	4014486495478
		3228641R1	2	AP1002584	4014486495706
		3522468M3	1	AP1002518	4014486494334
		358213R1	1	AP1000084	4014486460810
		3674243M1	1	AP1002558	4014486495034
		379461A1	1	AP1004851	4014486716542
		380041A1	1	AP1001143	4014486490060
		393750A1	1	AP1001146	4014486490107
		393751A1	1	AP1001144	4014486490077
		402370A1	1	AP1004923	4014486862171
		4102/50063	1	no AP	
		413159A2	1	AP1004749	4014486720372
		47551703C	1	AP1004170	4014486522808
		47677433B	1	AP1003918	4014486490626
		47774009A	1	AP1004422	4014486714913
		47774029-C	1	AP1000640	4014486469981
		47774077A	1	AP1000231	4014486520491
		4240053712	2	AP1004703	4014486719284
		4250129755	1	AP1002228	4014486477887
		4254138824	1	AP1002218	4014486477726
		4254138840	1	AP1004771	4014486716832
		4260700015	1	AP1002135	4014486476477
		4990/20555	1	AP1001217	4014486492439
		58622R1	1	AP1000421	4014486466843
		600 J 04	1	AP1004037	4014486518580
		600A06	1	AP1004001	4014486518900
		600A10	1	AP1003994	4014486518719
		600A12	1	AP1003996	4014486518849
		600A701	1	AP1004003	4014486518931
		600A715	1	AP1004002	4014486518917
		600A77	1	AP1003997	4014486518856
		600J06	1	AP1004038	4014486518597
		600J09	1	AP1004039	4014486518801
		600P05	1	AP1004036	4014486518481
		600P09	1	AP1004035	4014486518474
		6100645M1	1	AP1002284	4014486479676
		6102366M1	1	AP1002520	4014486494358
		61521R1	1	AP1003415	4014486463637
		662213R1	1	AP1000541	4014486468236
		683548C91	2	AP1002303	4014486479911
		69490DA	1	AP1000533	4014486468137
		700714140	1	no AP	
		712216R1	1	AP1003370	4014486461152
		714241R1	1	AP1000112	4014486461183
		716404R1	1	AP1002471	4014486493573



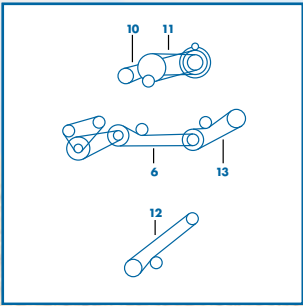
CASE INTEL HARVESTER

NR.	DRIVE	PART NUMBER	SET	AP NR.	EAN
		716415R1	1	AP1002473	4014486493597
		716417R1	1	AP1002478	4014486493696
		739734R1	1	AP1000992	4014486484328
		756232R1	1	AP1000086	4014486460834
		756237R1	1	AP1000188	4014486462173
		758866R1	1	AP1004352	4014486713961
		760285R1	1	AP1002297	4014486479843
		762861R1	1	AP1002265	4014486478327
		764956R1	1	AP1000112	4014486461183
		767564R1	1	AP1001001	4014486497243
		767585R91	1	AP1002081	4014486475715
		768220R91	1	AP1002081	4014486475715
		769543R91	1	AP1004032	4014486518443
		769830R2	1	AP1000694	4014486470734
		793417R2	1	AP1000741	4014486471373
		84766X1	1	AP1002521	4014486494389
		9351.0039.00	1	AP1000715	4014486471052
		9351.0047.00	1	AP1004040	4014486518832
		9351.0055.00	1	AP1000744	4014486471403
		9351.0174.00	1	AP1001630	4014486485738
		9351.0179.00	1	AP1001647	4014486485998
		9351.0274.00	1	AP1001743	4014486487275
		97-018167	1	AP1002452	4014486493337
		98-024334	1	AP1001579	4014486484861
		98-026090	1	AP1001810	4014486488227
		98-027803	1	AP1001939	4014486490367
		98-028535	1	AP1001249	4014486492057
		98-029076	1	AP1001620	4014486485516
		98-029103	1	AP1001515	4014486460346
		98-031256	1	AP1001967	4014486490787
		98-032070	1	AP1001830	4014486488531
		98-036087	1	AP1001829	4014486488517
		98-036261	1	AP1001553	4014486484526
		98-039673	1	AP1001960	4014486490688
		98-039691	4	AP1002829	4014486462791
		98-039777	1	AP1001234	4014486491883
		98-039778	1	AP1001260	4014486492194
		98-039783	1	AP1001808	4014486488197
		98-039925	1	AP1002599	4014486496055
		98-041408	1	AP1001248	4014486492040
		98-041788	2	AP1001910	4014486489729
		98-042220	1	AP1001813	4014486488265
		98-042446	2	AP1002588	4014486495812
		98-043793	1	AP1001989	4014486491098
		98-045851	2	AP1002483	4014486493801
		98-045896	1	AP1001233	4014486491876
		98-046005	2	AP1002056	4014486475333
		98-046076	1	AP1002345	4014486478785
		98-046372	2	AP1002349	4014486478822
		9817439	1	AP1000593	4014486469202
		989271C1	1	AP1000728	4014486471205
		98927C	1	AP1000728	4014486471205
		99.060226-5000	1	no AP	
		99.060268-5000	1	AP1004887	4014486720389
		99.060663-1005	1	AP1001721	4014486487039
		99.060738-3023	1	AP1001883	4014486489347
		99.060739-8023	1	AP1001890	4014486489477

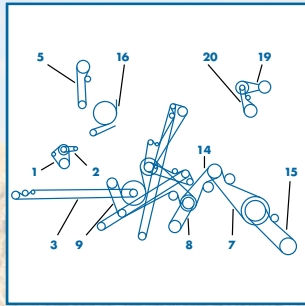


CASE INTEL HARVESTER

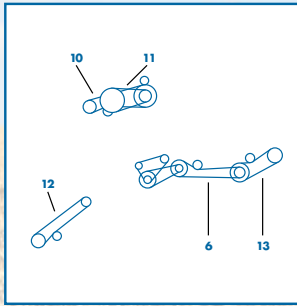
NR.	DRIVE	PART NUMBER	SET	AP NR.	EAN
		A138759	1	AP1002266	4014486478334
		A184652	1	AP1002525	4014486494433
		A77938	1	AP1003140	4014486480962
		A938768	1	AP1002452	4014486493337
		AP706228207	4	AP1002097	4014486475920
		B506233	1	AP1001378	4014486474923
		B506234	1	AP1000648	4014486470093
		B506235	1	AP1000693	4014486470741
		B506236	1	AP1000233	4014486463293
		B506237	1	AP1005136	4044978203380
		B506238	1	AP1000260	4014486464108
		B506239	1	AP1000295	4014486464870
		B938746	2	AP1002487	4014486493894
		BR11018	1	AP1002460	4014486493436
		C338723	2	AP1002485	4014486493856
		C938770	2	AP1002086	4014486475760
		C9NN-10C318-B	1	AP1002565	4014486495225
		CQ13837	1	AP1004101	4014486469165
		DF069791	1	AP1001164	4014486497458
		DF070542	1	AP1000683	4014486470604
		DF091572	1	AP1000685	4014486470635
		E020T12	1	AP1004014	4014486519488
		E040T09	1	AP1001917	4014486489835
		E128625	1	AP1002364	4014486478983
		E84994	1	AP1002456	4014486493399
		G138788	2	AP1003043	4014486478341
		G38715	1	AP1000224	4014486462913
		H938752	1	AP1002478	4014486493696
		H938775	1	AP1002127	4014486476309
		J38717	1	AP1004034	4014486518467
		J911557	1	AP1002645	4014486480801
		J911559	1	AP1002649	4014486481020
		J911566	1	AP1003955	4014486481105
		J911580	1	AP1003788	4044978007179
		J925953	1	AP1003132	4014486480894
		K138722	3	AP1000563	4014486468656
		K311714	1	AP1002475	4014486493627
		K38718	1	AP1000118	4014486461275
		K903050	1	AP1002464	4014486493498
		K913631	1	AP1000014	4014486483314
		K938731	2	AP1003313	4044978224903
		K952514	1	AP1002422	4014486492996
		L38742	2	AP1000563	4014486468656
		M138747	1	AP1002452	4014486493337
		MGP1112	1	AP1000102	4014486461046
		N38744	2	AP1000557	4014486468519
		N938734	1	no AP	
		N938757	1	AP1002048	4014486475241
		ND 9050	1	AP1002096	4014486475890
		ND 9240	1	AP1002077	4014486475678
		ND-9003	1	AP1002088	4014486475807
		ND-9036	1	AP1002090	4014486475838
		ND-9073	1	AP1002095	4014486475883
		ND-9092	1	AP1002197	4014486477467
		ND-9317	1	AP1002092	4014486475852
		ND-9359	1	AP1003681	4014486477146
		ND-9471	1	AP1003680	4014486477061



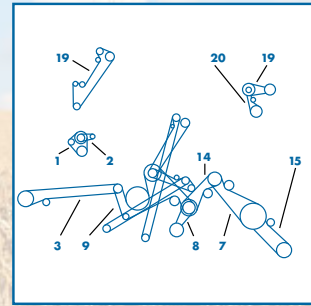
1400NA (FROM N°20715) LEFT



1400NA (FROM N°20715) RIGHT



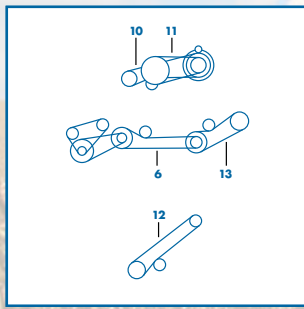
1400NA (TO N°20715) LEFT



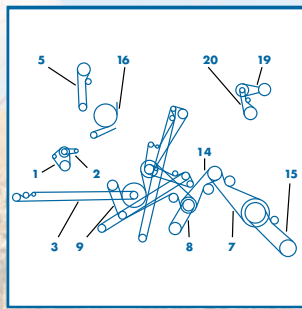
1400NA (TO N°20715) RIGHT

CASE INTEL HARVESTER

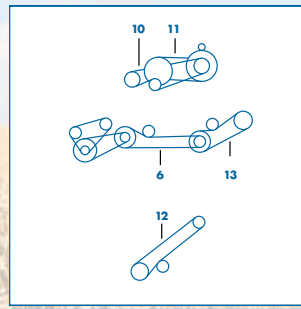
NR.	DRIVE	PART NUMBER	SET	AP NR.	EAN
		ND-9674	1	AP1005138	4044978203403
		P138703	1	AP1003397	4014486462821
		P38745	5	AP1000563	4014486468656
		P938712	1	AP1000194	4014486462289
		Q138796	1	AP1002044	4014486475197
		Q938713	1	AP1003385	4014486462302
		Q938736	2	AP1002543	4014486494723
		R138705	2	AP1000119	4014486461305
		R138797	1	AP1002045	4014486475210
		R938760	2	AP1002082	4014486475722
		S438718	1	AP1002520	4014486494358
		S619146	1	AP1001198	4014486497540
		S80928	1	AP1004879	4014486716580
		S938738	1	AP1002483	4014486493801
		S938761	1	AP1002362	4014486478969
		T040H02-A	1	AP1004016	4014486519495
		T38726	1	AP1000054	4014486483741
		T938762	2	AP1002452	4014486493337
		U 938740	1	AP1002462	4014486493467
		V938741	1	AP1002475	4014486493627
		V938764	2	AP1002482	4014486493788
		W938719	1	AP1000022	4014486483420
		W938742	1	AP1002482	4014486493788
		X938743	1	AP1002492	4014486493955
		Z938744	1	AP1002457	4014486493405
		Z938767	2	AP1002122	4014486476248
1400NA (from N°20715)					
2	AIR CONDITIONING COMPRESSOR DRIVE	874097C1	1	AP1002521	4014486494389
6	UNLOADING AUGER DRIVE	191290C1	1	AP1000708	4014486470956
7	FEEDER DRIVE	192738C1	1	AP1003473	4014486519778
8	CLEANING FAN DRIVE	195396C2	1	AP1001417	4014486459241
9	ELEVATOR DRIVE UNIT	186509C2	1	AP1001379	4014486474947
10	SEPARATOR DRIVE	191241C3	1	AP1001142	4014486490053
14	FAN JACKSHAFT DRIVE	191305C1	1	AP1000654	4014486470178
20	FAN JACKSHAFT SLOW SPEED	610521R1	1	AP1003415	4014486463637
1400NA (to N°20715)					
2	AIR CONDITIONING COMPRESSOR DRIVE	874097C1	1	AP1002521	4014486494389
6	UNLOADING AUGER DRIVE	191290C1	1	AP1000708	4014486470956
7	FEEDER DRIVE	192738C1	1	AP1003473	4014486519778
8	CLEANING FAN DRIVE	195396C2	1	AP1001417	4014486459241
9	ELEVATOR DRIVE UNIT	186509C2	1	AP1001379	4014486474947
10	SEPARATOR DRIVE	191241C3	1	AP1001142	4014486490053
14	FAN JACKSHAFT DRIVE	191305C1	1	AP1000654	4014486470178
20	FAN JACKSHAFT SLOW SPEED	610521R1	1	AP1003415	4014486463637



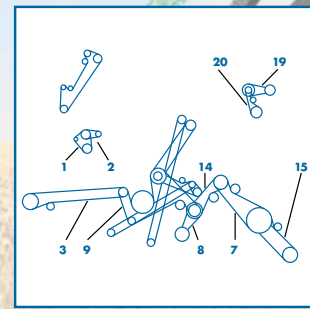
1440E LEFT



1440E RIGHT



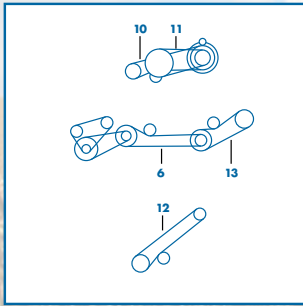
1460NA (FROM N°23247) LEFT



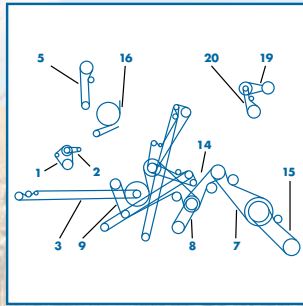
1460NA (FROM N°23247) RIGHT

CASE INTEL HARVESTER

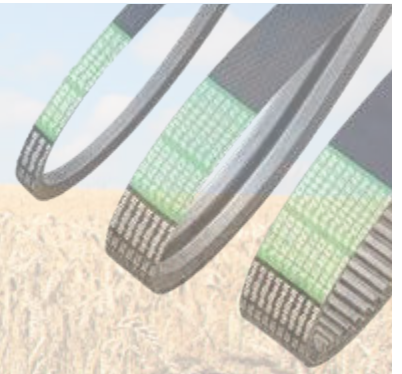
NR.	DRIVE	PART NUMBER	SET	AP NR.	EAN
1440E					
2	AIR CONDITIONING COMPRESSOR DRIVE	874097C1	1	AP1002521	4014486494389
6	UNLOADING AUGER DRIVE	191290C1	1	AP1000708	4014486470956
7	FEEDER DRIVE	192738C1	1	AP1003473	4014486519778
8	CLEANING FAN DRIVE	195396C2	1	AP1001417	4014486459241
9	ELEVATOR DRIVE UNIT	186509C2	1	AP1001379	4014486474947
10	SEPARATOR DRIVE	191241C3	1	AP1001142	4014486490053
12	REEL DRIVE PUMP WITHOUT ROCK TRAP	197411C1	1	AP1000702	4014486470857
14	FAN JACKSHAFT DRIVE	191305C1	1	AP1000654	4014486470178
20	FAN JACKSHAFT SLOW SPEED	610521R1	1	AP1003415	4014486463637
	STRAW CHOPPER DRIVE	181012C1	1	AP1001595	4014486675481
	CLEANING UNIT DRIVE WITH STRAW CHOPPER	181055C1	1	AP1001374	4014486474886
	STRAW SPREADER DRIVE	196371C1	1	AP1000423	4014486466867
1460E					
3	STRAW SPREADER DRIVE	196371C1	1	AP1000423	4014486466867
5	STRAW CHOPPER DRIVE	181012C1	1	AP1001595	4014486675481
6	UNLOADING AUGER DRIVE	191290C1	1	AP1000708	4014486470956
7	FEEDER DRIVE	192738C1	1	AP1003473	4014486519778
8	CLEANING FAN DRIVE	195396C2	1	AP1001417	4014486459241
9	ELEVATOR DRIVE UNIT	186509C2	1	AP1001379	4014486474947
10	SEPARATOR DRIVE	191241C3	1	AP1001142	4014486490053
12	REEL DRIVE PUMP WITHOUT ROCK TRAP	197411C1	1	AP1000702	4014486470857
14	FAN JACKSHAFT DRIVE	191305C1	1	AP1000654	4014486470178
16	CLEANING UNIT DRIVE WITH STRAW CHOPPER	181055C1	1	AP1001374	4014486474886
20	FAN JACKSHAFT SLOW SPEED	610521R1	1	AP1003415	4014486463637
1460NA (from N°23247)					
2	AIR CONDITIONING COMPRESSOR DRIVE	874097C1	1	AP1002521	4014486494389
6	UNLOADING AUGER DRIVE	191290C1	1	AP1000708	4014486470956
7	FEEDER DRIVE	192738C1	1	AP1003473	4014486519778
8	CLEANING FAN DRIVE	195396C2	1	AP1001417	4014486459241
9	ELEVATOR DRIVE UNIT	186509C2	1	AP1001379	4014486474947
10	SEPARATOR DRIVE	191241C3	1	AP1001142	4014486490053
14	FAN JACKSHAFT DRIVE	191305C1	1	AP1000654	4014486470178
20	FAN JACKSHAFT SLOW SPEED	610521R1	1	AP1003415	4014486463637



1480NA (FROM N°24000) LEFT



1480NA (FROM N°24000) RIGHT



CASE INTEL HARVESTER

NR.	DRIVE	PART NUMBER	SET	AP NR.	EAN
1480NA (from N°24000)					
2	AIR CONDITIONING COMPRESSOR DRIVE	874097C1	1	AP1002521	4014486494389
6	UNLOADING AUGER DRIVE	191291C1	1	AP1000723	4014486471151
8	CLEANING FAN DRIVE	195396C2	1	AP1001417	4014486459241
9	ELEVATOR DRIVE UNIT	186509C2	1	AP1001379	4014486474947
10	SEPARATOR DRIVE	191244C1	1	AP1001879	4014486489286
11	ROTOR VARIATOR DRIVE	244422A1	1	AP1001533	4014486460520
14	FAN JACKSHAFT DRIVE	188213C1	1	AP1000692	4014486470710
15	FEEDER JACKSHAFT DRIVE	1308489C2	1	AP1003573	4014486490091
20	FAN JACKSHAFT SLOW SPEED	610521R1	1	AP1003415	4014486463637
1640 (ENGINE DT436B)					
7	FEEDER DRIVE WITH ROCK TRAP	1315168C1	1	AP1001147	4014486490114
1640 (ENGINE NCE)					
7	FEEDER DRIVE WITH ROCK TRAP	1315168C1	1	AP1001147	4014486490114
1660 (ENGINE DT466B)					
7	FEEDER DRIVE WITH ROCK TRAP	1315168C1	1	AP1001147	4014486490114
1660 (ENGINE NCE)					
1	ALTERNATOR, FAN AND WATERPUMP DRIVE	J911574	1	AP1003147	4014486481068
7	FEEDER DRIVE WITH ROCK TRAP	1315168C1	1	AP1001147	4014486490114
1680 (ENGINE NCE)					
1	ALTERNATOR, FAN AND WATERPUMP DRIVE	J911574	1	AP1003147	4014486481068
1E60NA					
12	REEL DRIVE PUMP WITHOUT ROCK TRAP	197411C1	1	AP1000702	4014486470857
3010S					
	FAN BELT	4796327	1	AP1002461	4014486493450
3400R					
	FAN BELT	4796327	1	AP1002461	4014486493450
3550AL					
	FAN BELT	4796327	1	AP1002461	4014486493450
3550R					
	FAN BELT	4796327	1	AP1002461	4014486493450
4330V					
	FAN BELT	4796327	1	AP1002461	4014486493450
5010S					
	FAN BELT	4796327	1	AP1002461	4014486493450
8-41					
	UNLOADING DRIVE	790522R1	1	AP1000578	4014486468939
	MAIN DRIVE	793051R2	1	AP1000988	4014486498097
8-51					
	MAIN DRIVE	1408761R1	4	AP1000372	4014486466355
	PLATFORM DRIVE	3155127R1	1	AP1001091	4014486496734
	JACKSHAFT - TRACTION DRIVE	3155178R1	1	AP1000749	4014486471465



CASE INTEL HARVESTER

NR.	DRIVE	PART NUMBER	SET	AP NR.	EAN
	HYDRAULIC PUMP DRIVE	769482R1	1	AP1002043	4014486475180
	RETURN ELEVATOR DRIVE	790522R1	1	AP1000578	4014486468939
8-61-321					
	FEEDER AUGER - REEL VARIATOR DRIVE	1407123R1	1	AP1001418	4014486459258
	MAIN DRIVE	1408761R1	4	AP1000372	4014486466355
	RETURN AUGER - FAN DRIVE	1408840R1	1	AP1001369	4014486474831
	JACKSHAFT - TRACTION DRIVE	1410106R1	1	AP1001113	4014486496963
	JACKSHAFT - PLATFORM DRIVE	1410279R1	1	AP1003531	4014486470406
	PLATFORM DRIVE	3155127R1	1	AP1001091	4014486496734
	HYDRAULIC PUMP DRIVE	769482R1	1	AP1002043	4014486475180
	RETURN ELEVATOR DRIVE	790522R1	1	AP1000578	4014486468939
8670A - 8970A					
	BELT, 8 Ribs, Heavy Duty, From 09-01-1993	86013678	1	AP1004259	4014486676181
8-71-431					
	MAIN DRIVE	1407035R1	4	AP1002790	4014486520057
	FEEDER AUGER - REEL VARIATOR DRIVE	1407123R1	1	AP1001418	4014486459258
	RETURN AUGER - FAN DRIVE	1408840R1	1	AP1001369	4014486474831
	JACKSHAFT - TRACTION DRIVE	1410106R1	1	AP1001113	4014486496963
	JACKSHAFT - PLATFORM DRIVE	1410279R1	1	AP1003531	4014486470406
	PLATFORM DRIVE	1410462R1	1	AP1001095	4014486496772
	RETURN AUGER - FAN DRIVE	3158811R1	1	AP1001370	4014486474848
	HYDRAULIC PUMP DRIVE	769482R1	1	AP1002043	4014486475180
	RETURN ELEVATOR DRIVE	790522R1	1	AP1000578	4014486468939
8-91-531					
	MAIN DRIVE	1407035R1	4	AP1002790	4014486520057
	FEEDER AUGER - REEL VARIATOR DRIVE	1407123R1	1	AP1001418	4014486459258
	PLATFORM DRIVE	1410462R1	1	AP1001095	4014486496772
	JACKSHAFT - TRACTION DRIVE	3157094R1	1	AP1001117	4014486497021
	RETURN AUGER - FAN DRIVE	3157600R1	1	AP1001371	4014486474855
	TANK UNLOADER DRIVE	3157994R1	1	AP1000704	4014486470888
	JACKSHAFT - PLATFORM DRIVE	3158455R1	1	AP1000904	4014486473506
	RETURN ELEVATOR DRIVE	790522R1	1	AP1000578	4014486468939
AFX 8010					
2	A/C COMPRESSOR, ALT, WATER PUMP	87282333	1	AP1003244	4014486482799
4	BUBBLE UP DRIVE - RIGHT SIDE	86975809	1	AP1000744	4014486471403
9	STRAW CHOPPER DRIVE	86976208	1	AP1005072	4044978005724
E 516 B					
10		9911861645	1	AP1002076	4014486475654
E 517					
10		9911861645	1	AP1002076	4014486475654
JX1070C					
		4796328	2	AP1002462	4014486493467
JX1075C					
		4796328	2	AP1002462	4014486493467
M 103					
6	STRAW ELEVATOR	80230073	1	AP1000904	4014486473506
21	THRESHING DRUM DRIVE (MAIZE)	80230056	1	AP1003232	4014486518658



CLAAS

NR.	DRIVE	PART NUMBER	SET	AP NR.	EAN
2	HYDRAULIC PUMP DRIVE	767057.1	1	AP1003333	4014486462609
4	STRAW CHOPPER DRIVE - 1ST STAGE	667958.1	1	AP1003598	4014486485073
4	DISCHARGE AUGER SHAFT	673614.1	1	AP1001566	4014486484694
5	TRACTION DRIVE	671012.0	1	AP1003631	4014486488500
5	TRACTION DRIVE	671012.1	1	AP1003631	4014486488500
6		603337.0	1	AP1000662	4014486470260
7		603336.0	1	AP1000478	4014486467499
7		603336.1	1	AP1000478	4014486467499
19		673638.1	1	AP1001099	4014486496819
21	PRE - ACCELERATOR	661031.2	1	AP1001564	4014486484663
35		0628964.1	1	AP1002687	4014486482850
		641682	1	AP1003635	4014486488753
		1318010	1	AP1003842	4014486464986
		4950080	1	AP1004569	4014486717341
		7730150	1	AP1004908	4014486868524
		11035850	1	AP1003253	4014486482904
		11035860	1	AP1003209	4014486482256
		11080500	1	AP1001336	4014486482980
		11084620	1	AP1003196	4014486481891
		11085260	2	AP1002971	4014486495423
		11085270	2	AP1002575	4014486495478
		11114270	1	AP1002652	4014486481259
		11125690	2	AP1002579	4014486495560
		11147900	1	AP1003259	4014486483024
		11147910	1	AP1003258	4014486483017
		11147940	1	AP1001335	4014486482331
		11147950	1	AP1001335	4014486482331
		11147960	1	AP1004090	4014486520521
		11147990	1	AP1003200	4014486481952
		11148000	1	AP1003198	4014486481914
		11148040	1	AP1003158	4014486481204
		11148050	1	AP1003156	4014486481181
		11171600	1	AP1004259	4014486676181
		11205790	1	AP1003194	4014486481877
		11205791	1	AP1002652	4014486481259
		11205800	1	AP1003189	4014486481785
		11408400	2	AP1002478	4014486493696
		11408410	2	AP1002549	4014486494815
		11408420	2	AP1002554	4014486494914
		11408430	2	AP1004878	4014486720624
		11408440	2	AP1004875	4014486719833
		11430440	2	AP1002567	4014486495270
		6000130460	1	AP1000214	4014486462708
		6000130463	1	AP1000115	4014486461237
		6000133192	1	AP1004046	4014486518382
		6000133265	1	AP1004827	4014486719437
		6005000475	1	AP1002554	4014486494914
		6005000493	1	AP1002552	4014486494877
		6005000844	1	AP1002494	4014486493986
		6005022912	1	AP1002410	4014486479546
		6005717341	1	AP1002669	4014486482072
		7700008696	2	AP1002478	4014486493696
		7700010200	1	AP1002555	4014486494945
		7700018067	2	AP1002567	4014486495270
		7700027207	1	AP1001042	4014486498127
		7700027471	1	AP1002507	4014486494129
		7700035746	1	AP1001043	4014486498134



CLAAS

NR.	DRIVE	PART NUMBER	SET	AP NR.	EAN
		7700037114	1	AP1002589	4014486495836
		7700037116	1	AP1002594	4014486495942
		7700037231	1	AP1004729	4014486716757
		7700040497	1	AP1002735	4014486496178
		7700042687	1	AP1004708	4014486720655
		7700042688	1	AP1004707	4014486720648
		7700042689	1	AP1004706	4014486720631
		7700042907	1	AP1004728	4014486716740
		7700043664	1	AP1003215	4014486482362
		7700043752	1	AP1002652	4014486481259
		7700043753	1	AP1002677	4014486482195
		7700048822	1	AP1001335	4014486482331
		7700050644	1	AP1003245	4014486482805
		7700050889	1	AP1001336	4014486482980
		7700054412	1	AP1003131	4014486482683
		7700055691	1	AP1003147	4014486481068
		7700055692	1	AP1002663	4014486481839
		7700056666	1	AP1002537	4014486494600
		7700057145	1	AP1001337	4014486482652
		7700059170	1	AP1003134	4014486480917
		7700059172	1	AP1003196	4014486481891
		7700059682	1	AP1002512	4014486494204
		7700060521	1	AP1002649	4014486481020
		7700060523	1	AP1002663	4014486481839
		7700060527	1	AP1003807	4014486483048
		7700062253	1	AP1003135	4014486480924
		7700062256	1	AP1003195	4014486481884
		7700062257	1	AP1003192	4014486481853
		7700062268	1	AP1003140	4014486480962
		7700062485	1	AP1003263	4014486483062
		7700063621	1	AP1003807	4014486483048
		7700066453	1	AP1003217	4014486482454
		7700066699	1	AP1003196	4014486481891
		7700066725	1	AP1003189	4014486481785
		7700066735	1	AP1003253	4014486482904
		7700068065	1	AP1003235	4014486482669
		7700071570	1	AP1003229	4014486482614
		7700074852	1	AP1003253	4014486482904
		7700074853	1	AP1003253	4014486482904
		7700074854	1	AP1003797	4014486482287
		7700074855	1	AP1002679	4014486482225
		7701018005	1	AP1002529	4014486494488
		7701029701	1	AP1002462	4014486493467
		7701029702	1	AP1002465	4014486493504
		7701029703	1	AP1002468	4014486493542
		7701029705	1	AP1002474	4014486493610
		7701029707	1	AP1002483	4014486493801
		7701030341	1	AP1002464	4014486493498
		7701030342	2	AP1004875	4014486719833
		055893.0	1	AP1004361	4014486714050
		008952.1	1	AP1000487	4014486467581
		0131808.0	1	AP1005035	4014486920376
		020344.0	1	AP1000369	4014486466317
		020345.0	1	AP1001667	4014486486308
		020600.0	1	AP1001817	4014486488326
		020601.0	1	AP1000338	4014486465822
		020705.0	1	AP1003800	4014486518566



CLAAS

NR.	DRIVE	PART NUMBER	SET	AP NR.	EAN
		7700037231	1	AP1004729	4014486716757
		7700040497	1	AP1002735	4014486496178
		7700042687	1	AP1004708	4014486720655
		7700042688	1	AP1004707	4014486720648
		7700042689	1	AP1004706	4014486720631
		7700042907	1	AP1004728	4014486716740
		7700043664	1	AP1003215	4014486482362
		7700043752	1	AP1002652	4014486481259
		7700043753	1	AP1002677	4014486482195
		7700048822	1	AP1001335	4014486482331
		7700050644	1	AP1003245	4014486482805
		7700050889	1	AP1001336	4014486482980
		7700054412	1	AP1003131	4014486482683
		7700055691	1	AP1003147	4014486481068
		7700055692	1	AP1002663	4014486481839
		7700056666	1	AP1002537	4014486494600
		7700057145	1	AP1001337	4014486482652
		7700059170	1	AP1003134	4014486480917
		7700059172	1	AP1003196	4014486481891
		7700059682	1	AP1002512	4014486494204
		7700060521	1	AP1002649	4014486481020
		7700060523	1	AP1002663	4014486481839
		7700060527	1	AP1003807	4014486483048
		7700062253	1	AP1003135	4014486480924
		7700062256	1	AP1003195	4014486481884
		7700062257	1	AP1003192	4014486481853
		7700062268	1	AP1003140	4014486480962
		7700062485	1	AP1003263	4014486483062
		7700063621	1	AP1003807	4014486483048
		7700066453	1	AP1003217	4014486482454
		7700066699	1	AP1003196	4014486481891
		7700066725	1	AP1003189	4014486481785
		7700066735	1	AP1003253	4014486482904
		7700068065	1	AP1003235	4014486482669
		7700071570	1	AP1003229	4014486482614
		7700074852	1	AP1003253	4014486482904
		7700074853	1	AP1003253	4014486482904
		7700074854	1	AP1003797	4014486482287
		7700074855	1	AP1002679	4014486482225
		7701018005	1	AP1002529	4014486494488
		7701029701	1	AP1002462	4014486493467
		7701029702	1	AP1002465	4014486493504
		7701029703	1	AP1002468	4014486493542
		7701029705	1	AP1002474	4014486493610
		7701029707	1	AP1002483	4014486493801
		7701030341	1	AP1002464	4014486493498
		7701030342	2	AP1004875	4014486719833
		055893.0	1	AP1004361	4014486714050
		008952.1	1	AP1000487	4014486467581
		0131808.0	1	AP1005035	4014486920376
		020344.0	1	AP1000369	4014486466317
		020345.0	1	AP1001667	4014486486308
		020600.0	1	AP1001817	4014486488326
		020601.0	1	AP1000338	4014486465822
		020705.0	1	AP1003800	4014486518566
		020706.0	1	AP1004418	4014486714845
		020712.0	1	AP1000259	4014486464115



CLAAS

NR.	DRIVE	PART NUMBER	SET	AP NR.	EAN
		022985.0	1	AP1000394	4014486466577
		023218.0	1	AP1003629	4014486488258
		023219.0	1	AP1000772	4014486471809
		023220.1	1	AP1000650	4014486470123
		023999.0	1	AP1000268	4014486464283
		024664.0	1	AP1004852	4014486718300
		025242.0	1	AP1002717	4014486488203
		027070.0	1	AP1004427	4014486714982
		027275.0	1	AP1001209	4014486497687
		027279.0	1	AP1003835	4014486463835
		027280.0	1	AP1000237	4014486463408
		027284.0	1	AP1004434	4014486715330
		027286.0	1	AP1004265	4014486682915
		027287.0	1	AP1004439	4014486715385
		027322.0	1	AP1004858	4014486717679
		027323.0	1	AP1004839	4014486714944
		027324.0	1	AP1004529	4014486718348
		027327.0	1	AP1004857	4014486717655
		027508.0	1	AP1004737	4014486719086
		027547.0	1	AP1000232	4014486463262
		027581.0	1	AP1001720	4014486487022
		034628.0	1	AP1004656	4014486718874
		0480477.0	3	AP1004891	4014486714807
		050090.0	1	AP1000528	4014486468083
		050154.1	1	no AP	
		051689.0	1	AP1000368	4014486466300
		0545307.0	2	AP1002869	4014486471663
		0549238.0	1	AP1004253	4014486675986
		055292.0	1	AP1000240	4014486463484
		0554171.0	1	no AP	
		0554186.0	1	AP1004087	4014486520354
		055772.0	1	AP1000352	4014486466096
		060162.0	1	AP1000481	4014486467529
		060239.1	1	AP1000484	4014486467550
		060304.1	1	AP1002250	4014486478174
		060305.0	1	AP1002249	4014486478167
		060306.4	1	AP1000723	4014486471151
		060307.0	1	AP1004487	4014486721430
		060916.0	1	AP1002253	4014486478204
		060954.0	1	AP1000865	4014486473032
		061088.0	1	AP1004446	4014486715477
		061204.0	1	AP1000884	4014486473247
		061252.0	1	AP1000875	4014486473155
		061253.1	1	AP1000873	4014486473131
		061704.0	1	no AP	
		0617309.0	2	AP1000953	4014486474084
		0617309.1	2	AP1000954	4014486474091
		0617309.2	2	AP1000954	4014486474091
		061872.1	1	AP1004936	4014486894790
		064874.0	1	AP1000569	4014486468779
		0660504.0	1	AP1001939	4014486490367
		068752.0	1	AP1000369	4014486466317
		068752.1	1	AP1000369	4014486466317
		068786.0	1	AP1000362	4014486466218
		069925.0	1	AP1000285	4014486464665
		070052.0	1	AP1003392	4014486462678
		076401.0	1	AP1001324	4014486492866



CLAAS

NR.	DRIVE	PART NUMBER	SET	AP NR.	EAN
		076401.1	1	AP1001324	4014486492866
		077401.0	1	AP1000283	4014486464610
		081648.0	1	AP1001326	4014486492903
		083615.0	1	AP1001330	4014486492941
		083668.0	1	AP1001329	4014486492934
		083668.1	1	AP1001329	4014486492934
		0854277500	1	AP1000108	4014486461121
		090255.0	1	AP1001293	4014486492453
		090256.0	1	AP1001295	4014486492477
		090256.1	1	AP1001296	4014486492484
		090265.0	1	no AP	
		090266.0	1	AP1005201	4044978222930
		090267.0	1	AP1005203	4044978222954
		090286.0	1	no AP	
		094046.1	2	AP1003401	4014486463095
		094046.2	2	AP1003401	4014486463095
		094047.0	1	AP1000092	4014486460902
		103037.0	1	AP1002135	4014486476477
		103735.0	1	AP1002382	4014486479188
		104098.1	1	AP1002100	4014486475951
		104237.1	4	AP1003680	4014486477061
		104497.0	1	AP1003682	4014486477207
		104914.0	1	AP1003492	4014486468465
		104990.0	1	AP1000561	4014486468601
		105580.0	1	AP1002382	4014486479188
		105603.0	1	AP1002377	4014486479126
		105660.0	1	AP1002719	4014486476132
		105860.0	1	AP1000304	4014486465075
		105860.1	1	AP1000304	4014486465075
		12260820.0	1	AP1000488	4014486467598
		12316790.0	1	AP1005208	4044978222688
		124205.0	1	AP1005205	4044978222961
		124205.1	1	AP1005205	4044978222961
		124215.0	1	AP1005202	4044978222947
		124215.1	1	AP1005202	4044978222947
		124225.0	1	AP1005272	
		124231.0	1	AP1005255	
		124232.0	1	AP1005261	
		124233.0	1	AP1005268	
		124235.0	1	AP1005271	
		124258.0	1	AP1005106	4044978143655
		124303.2	1	AP1005265	
		130901.0	1	AP1005207	4044978222923
		130906.0	1	AP1004866	4014486718782
		130931.0	1	AP1003800	4014486518566
		130934.0	1	no AP	
		130998.0	1	no AP	
		130999.0	1	no AP	
		131801.0	1	AP1003842	4014486464986
		131802.0	1	AP1005107	4044978143662
		131802.1	1	AP1005107	4044978143662
		131803.0	1	AP1005200	4044978222916
		131995.0	1	no AP	
		131996.0	1	AP1005201	4044978222930
		131997.0	1	AP1005203	4044978222954
		131998.0	1	no AP	
		131999.0	1	no AP	



CLAAS

NR.	DRIVE	PART NUMBER	SET	AP NR.	EAN
		1320324.0	1	AP1000108	4014486461121
		1320382.0	3	AP1004411	4014486714777
		1320434.0	4	AP1004401	4014486714678
		1320628.0	4	AP1004393	4014486714593
		1324222.0	1	AP1004569	4014486717341
		140755.0	1	AP1004636	4014486718560
		140756.0	1	AP1004679	4014486719741
		140765.0	1	AP1005109	4044978143679
		1409038.0	1	AP1005230	
		1409941.0	1	AP1005229	
		142845.1	1	AP1004866	4014486718782
		144298.0	1	AP1004874	4014486716481
		144298.1	1	AP1004874	4014486716481
		144299.0	1	AP1004699	4014486716467
		144356.0	1	no AP	
		144361.0	1	no AP	
		144550.0	1	AP1004676	4014486719789
		144551.0	1	AP1004677	4014486719796
		144898.0	1	AP1004839	4014486714944
		145265.0	1	AP1002053	4014486475302
		146890.0	1	AP1000097	4014486460964
		147217.0	1	AP1002549	4014486494815
		147218.1	2	AP1002548	4014486494808
		147220.0	1	AP1004886	4014486719161
		147232.1	2	AP1003730	4014486495287
		176432.0	1	AP1001685	4014486486605
		176432.1	1	AP1001685	4014486486605
		176432.2	1	AP1001685	4014486486605
		176432.3	1	AP1004524	4014486718317
		176440.0	1	AP1001636	4014486485844
		176440.1	1	AP1001636	4014486485844
		176474.0	1	AP1001236	4014486491906
		176474.1	1	AP1001236	4014486491906
		176475.0	1	AP1001289	4014486520545
		176542.0	1	AP1001936	4014486490336
		176542.1	1	AP1001936	4014486490336
		176544.0	1	AP1002299	4014486479874
		181501.0	1	AP1003643	4014486489156
		211240.0	2	AP1002121	4014486476231
		212759.0	1	AP1000801	4014486472202
		213589.0	1	AP1000158	4014486461800
		214243.0	1	AP1004821	4014486719406
		2150142.0	1	AP1002677	4014486482195
		2150670.0	1	AP1003131	4014486482683
		2158659.0	1	AP1003215	4014486482362
		2158661.0	1	AP1003216	4014486482393
		2158663.0	1	AP1003220	4014486482478
		2210757.0	1	AP1004504	4014486717082
		2227544.0	1	AP1004522	4014486717280
		2227556.0	1	AP1004407	4014486714739
		2227586.0	1	no AP	
		2227635.0	1	no AP	
		2227658.0	1	AP1004421	4014486714890
		2314600.0	2	AP1005196	4044978222732
		2314602.0	1	AP1004908	4014486868524
		2314628.0	1	AP1005223	
		233510.0	2	no AP	



CLAAS

NR.	DRIVE	PART NUMBER	SET	AP NR.	EAN
		233525.0	1	AP1002141	4014486476538
		233943.1	3	AP1004413	4014486714784
		2403919.0	1	AP1005110	4044978143723
		2405230.0	1	AP1005264	
		247430A1	1	AP1004062	4014486518757
		2606179.0	4	AP1002829	4014486462791
		26061790	4	AP1002829	4014486462791
		261545.0	1	AP1001328	4014486492927
		310939.0	1	AP1002563	4014486495133
		315972.0	2	AP1002565	4014486495225
		316000.0	1	AP1003368	4014486461060
		317432.1	2	AP1002550	4014486494822
		319904A1	1	AP1004063	4014486520279
		320008.0	2	AP1002582	4014486495638
		324073.0	2	AP1003727	4014486495164
		325728.0	1	AP1004362	4014486461404
		326729.0	1	AP1004365	4014486714081
		327055.0	1	AP1000100	4014486461008
		349579.0	1	AP1004607	4014486719338
		350340.0	1	AP1002661	4014486481655
		350462.0	1	AP1001680	4014486486506
		350517.0	1	AP1000793	4014486472127
		352403.0	1	AP1001253	4014486492101
		353706.0	1	AP1002640	4014486480566
		353706.1	1	AP1004868	4014486716344
		355658.0	1	AP1001672	4014486486360
		360007.0	1	AP1002508	4014486494143
		360009.0	2	AP1004806	4014486720495
		360011.0	1	AP1004702	4014486719819
		360012.0	1	AP1002428	4014486493054
		361787.0	2	AP1002599	4014486496055
		365119.0	2	AP1004814	4014486720556
		376830.1	1	AP1000269	4014486464320
		376846.0	1	AP1003840	4014486463903
		376855.0	1	AP1004457	4014486715583
		376869.0	1	AP1001209	4014486497687
		376894.0	1	AP1001852	4014486488869
		376968.0	1	AP1001861	4014486488975
		378330.0	1	no AP	
		410685.0	1	AP1000094	4014486460926
		410690.1	1	AP1005208	4044978222688
		428189.0	1	AP1004536	4014486718416
		428216.0	1	AP1004642	4014486718621
		428232.0	1	AP1004530	4014486718355
		429256.0	1	no AP	
		429272.0	3	no AP	
		429280.0	1	no AP	
		480477.0	3	AP1004891	4014486714807
		481536.0	3	AP1004403	4014486714692
		482122.0	3	AP1004408	4014486714746
		483721.0	4	AP1004409	4014486714753
		483935.0	3	AP1004399	4014486714555
		495008.0	1	AP1004569	4014486717341
		495067.0	1	AP1001618	4014486485486
		495067.1	1	AP1001615	4014486485455
		495431.0	2	AP1005036	4014486987690
		500049.0	1	AP1000920	4014486473698



CLAAS

NR.	DRIVE	PART NUMBER	SET	AP NR.	EAN
		500273.1	1	AP1000910	4014486473575
		500867.0	1	AP1000932	4014486473834
		501771.0	1	AP1000944	4014486473995
		501802.0	1	AP1000237	4014486463408
		501903.0	1	AP1000246	4014486463743
		503459.0	1	AP1000383	4014486466461
		505022.0	1	AP1000305	4014486465105
		505051.0	1	AP1004550	4014486715880
		505112.0	1	AP1000292	4014486464825
		505113.1	1	AP1000370	4014486466331
		506792.1	1	AP1000916	4014486473650
		507020.0	2	AP1005139	4044978203410
		507278.0	1	AP1000959	4014486474169
		507317.0	1	AP1000762	4014486471632
		507317.1	3	AP1000762	4014486471632
		507508.0	1	AP1000899	4014486473438
		507626.0	1	AP1000769	4014486471748
		507723.0	1	AP1004034	4014486518467
		507908.0	1	AP1004035	4014486518474
		509435.0	1	AP1005141	4044978203434
		528305.0	1	AP1002128	4014486476330
		530142.0	2	AP1002567	4014486495270
		532011.1	1	AP1000216	4014486462777
		538714.1	1	AP1000230	4014486463187
		544032.0	1	AP1003843	4014486489880
		544114.0	1	AP1003635	4014486488753
		544115.0	1	AP1003635	4014486488753
		545174.0	1	AP1004526	4014486717297
		545175.0	1	AP1004516	4014486718263
		545176.0	2	AP1005235	
		545176.1	1	AP1005235	
		545178.0	1	AP1001797	4014486488050
		545186.1	1	AP1005199	4044978222855
		545187.0	1	AP1004915	4014486868647
		545188.0	1	AP1004512	4014486717228
		545216.0	1	AP1005186	4044978222763
		545306.0	1	AP1004918	4014486868548
		545307.0	2	AP1002869	4014486471663
		545451.0	1	AP1005031	4014486920390
		545668.2	1	AP1004356	4014486714005
		548189.0	1	AP1004513	4014486717235
		549011.0	1	AP1004410	4014486717020
		549055.1	2	AP1003968	4014486520309
		549097.0	1	AP1004508	4014486717143
		549144.0	1	AP1004443	4014486715422
		549151.0	1	AP1004528	4014486718331
		549187.2	2	no AP	
		549237.0	1	AP1001818	
		549238.0	1	AP1004253	4014486675986
		549752.1	2	AP1002745	4014486460957
		549752.2	2	AP1002745	4014486460957
		554016.0	2	AP1003846	4014486472974
		554031.0	1	AP1004506	4014486717129
		554032.0	1	AP1003843	4014486489880
		554087.0	1	AP1004508	4014486717143
		554098.1	1	AP1001622	4014486485554
		554110.0	1	no AP	



CLAAS

NR.	DRIVE	PART NUMBER	SET	AP NR.	EAN
		554121.0	1	no AP	
		554141.0	1	AP1004916	4014486868616
		554141.1	1	AP1004916	4014486868616
		554150.0	1	no AP	
		554172.0	1	AP1004927	4014486863642
		554201.0	2	AP1005237	
		554269.0	1	AP1004538	4014486721362
		554279.0	1	AP1004539	4014486721379
		554339.0	1	AP1004921	4014486868678
		554361.0	1	AP1004610	4014486717402
		554365.0	1	AP1004900	4014486772104
		554396.0	1	AP1004114	4014486522891
		555106.0	1	AP1004363	4014486714067
		560690.0	1	AP1000888	4014486473292
		566108.0	1	AP1003579	4014486492743
		567824.0	1	AP1003340	4014486488807
		567824.1	1	AP1005198	4044978222848
		567825.0	1	AP1003626	4014486488111
		568234.0	1	AP1002512	4014486494204
		569528.0	1	AP1002000	4014486491265
		570195.0	1	AP1003597	4014486485059
		570195.1	1	AP1001594	4014486485103
		570195.2	1	AP1004846	4014486717105
		570407.0	1	AP1002027	4014486491623
		570407.1	1	AP1002027	4014486491623
		570827.0	1	AP1001919	4014486489866
		570827.1	1	AP1001920	4014486489873
		572150.0	1	AP1001240	4014486491944
		573443.0	1	AP1000617	4014486469578
		573443.1	1	AP1000616	4014486469561
		577100.0	1	AP1002033	4014486491685
		577101.0	1	AP1002037	4014486491739
		577720.0	1	AP1001576	4014486484816
		577720.1	1	AP1001576	4014486484816
		577721.0	1	AP1001307	4014486492675
		578331.0	1	AP1001809	4014486488210
		578332.0	1	AP1001891	4014486489484
		580166.0	1	AP1003727	4014486495164
		596978.0	1	no AP	
		600A702	1	AP1004475	4014486715743
		603013.1	1	AP1003412	4014486463545
		603430.1	2	AP1000823	4014486472493
		610152.1	1	AP1001033	4014486496321
		610830.1	2	AP1002789	4014486466249
		610833.0	2	AP1005139	4044978203410
		610833.1	2	AP1005139	4044978203410
		617001.0	1	AP1003568	4014486473940
		61872.1	1	AP1004936	4014486894790
		622156.0	1	AP1005132	4044978203342
		622156.1	1	AP1005132	4044978203342
		623252.0	1	AP1000917	4014486473667
		623425.1	1	AP1004441	4014486715408
		628175.0	1	AP1000296	4014486464887
		628245.0	1	AP1004354	4014486713985
		628390.0	1	AP1003355	4014486470321
		628432.0	1	AP1001658	
		628533.0	2	AP1000818	4014486472431



CLAAS

NR.	DRIVE	PART NUMBER	SET	AP NR.	EAN
		628579.1	3	AP1000862	4014486472998
		628779.1	3	AP1002871	4014486473063
		628780.0	3	AP1000862	4014486472998
		628782.0	1	AP1001320	4014486492828
		628784.0	1	AP1001586	4014486484960
		628785.0	1	AP1001880	4014486489309
		628787.0	1	AP1001955	4014486490602
		628788.0	1	AP1001887	4014486489439
		628789.0	1	no AP	
		628791.0	1	AP1003657	4014486489989
		628847.0	1	AP1001214	4014486497731
		628888.0	1	AP1001684	4014486486551
		628981.0	1	AP1000431	4014486466980
		629001.1	1	AP1001934	4014486490305
		629110.0	1	AP1005099	4044978006325
		629110.2	1	AP1005099	4044978006325
		629133.0	1	AP1001935	4014486490312
		629133.1	1	AP1001935	4014486490312
		629410.1	2	AP1002872	4014486468441
		629440.2	1	AP1005099	4044978006325
		629441.1	2	AP1000810	4014486472332
		629445.0	1	AP1000209	4014486462555
		629539.1	1	AP1005259	
		629580.0	1	AP1004078	4014486497878
		629580.1	1	AP1004078	4014486497878
		629739.0	3	AP1005138	4044978203403
		629739.1	3	AP1005138	4044978203403
		629783.0	1	AP1005266	
		629788.0	1	AP1004938	4014486895353
		629791.1	1	AP1005267	
		629836.1	2	AP1003819	4014486518870
		630011.0	1	AP1001129	4014486497151
		630043.1	1	no AP	
		630169.0	1	AP1000962	4014486474206
		633564.0	1	AP1004697	4014486714227
		634046.0	1	AP1003419	4014486463699
		638037.1	1	AP1005143	4044978203458
		638367.1	1	AP1004448	4014486715491
		639226.0	1	AP1000260	4014486464108
		639226.1	1	AP1000260	4014486464108
		639226.2	1	AP1000260	4014486464108
		639373.0	1	AP1000924	4014486473742
		639417.0	1	AP1000281	4014486464580
		640208.0	1	AP1002228	4014486477887
		644209.2	1	AP1004843	4014486715668
		644362.1	1	AP1005197	
		644368.1	2	AP1000858	4014486472929
		644369.1	2	AP1002873	4014486472851
		644391.0	1	AP1000802	4014486472219
		644419.1	2	AP1000832	4014486472585
		644509.0	1	AP1000718	4014486471090
		644514.0	1	AP1002529	4014486494488
		644771.0	1	AP1005157	4044978203489
		644781.1	1	AP1005209	4044978222695
		644891.0	1	AP1003591	4014486484762
		644894.0	1	AP1003618	4014486486865
		644895.0	1	AP1003645	4014486489194



CLAAS

NR.	DRIVE	PART NUMBER	SET	AP NR.	EAN
		644896.0	1	AP1001926	4014486489941
		644897.0	1	AP1003642	4014486489101
		644898.0	1	AP1003601	4014486485219
		644899.0	1	AP1000699	4014486470826
		644927.0	1	AP1001054	4014486484410
		644928.1	1	AP1002439	4014486493177
		644969.0	1	AP1001588	4014486484991
		653380.1	1	AP1001032	4014486496314
		660314.0	1	AP1004860	4014486720860
		660314.1	1	AP1004860	4014486720860
		660315.0	1	AP1004846	4014486717105
		660316.0	1	AP1005239	
		660382.0	1	AP1003254	4014486482911
		660423.0	1	AP1005074	4044978005359
		660455.0	1	no AP	
		660464.0	1	AP1004666	4014486718799
		660488.0	1	AP1004420	4014486714883
		660506.0	1	no AP	
		660554.0	1	AP1004663	4014486718744
		660566.0	1	AP1004422	4014486714913
		660569.0	1	AP1004611	4014486717419
		660587.0	1	AP1004668	4014486718812
		660762.1	1	AP1004505	4014486717112
		660811.0	1	AP1000171	4014486461978
		660815.0	1	AP1004848	4014486717174
		660815.1	1	AP1004848	4014486717174
		660821.0	1	AP1004567	4014486717327
		660851.1	2	AP1004442	4014486715415
		660854.0	1	AP1004380	4014486714500
		660894.0	1	no AP	
		660961.0	1	AP1000116	4014486461251
		660961.1	1	AP1005103	4044978143617
		660962.0	1	AP1004358	4014486714029
		660965.0	2	AP1004735	4014486719055
		661031.3	1	AP1001564	4014486484663
		661092.0	1	AP1001238	4014486491920
		661128.0	1	AP1000796	4014486472158
		661361.0	1	AP1000287	4014486464733
		661362.2	1	AP1005038	4044978005182
		661378.0	2	AP1000852	4014486472820
		661378.2	2	AP1000852	4014486472820
		661435.0	1	AP1000688	4014486470680
		661458.1	1	AP1001957	4014486490640
		661469.0	1	AP1000726	4014486471182
		661541.0	1	no AP	
		664017.0	1	AP1004452	4014486715538
		665010.1	1	AP1005254	
		665222.0	1	no AP	
		665798.0	2	AP1004485	4014486715859
		665824.0	1	AP1004624	4014486717563
		665825.1	1	AP1005206	4044978222879
		665827.1	1	AP1005190	4044978222862
		665830.0	2	AP1004486	4014486715866
		665832.0	1	AP1005193	4044978222985
		665833.0	1	AP1005188	4044978222817
		665834.0	1	AP1005100	4044978005366
		665865.0	1	AP1005192	4044978222886



CLAAS

NR.	DRIVE	PART NUMBER	SET	AP NR.	EAN
		665901.0	1	AP1004370	4014486714159
		665901.1	1	AP1004371	4014486714166
		665957.0	1	AP1004932	4014486883015
		665967.0	1	AP1005206	4044978222879
		665999.0	1	AP1004055	4014486518412
		665999.1	1	AP1004055	4014486518412
		665999.2	1	AP1004055	4014486518412
		666290.0	1	AP1004468	4014486712124
		667219.0	1	AP1005133	4044978203359
		667245.0	1	AP1000413	4014486466768
		667246.0	1	AP1000384	4014486466478
		667248.2	1	AP1001317	4014486497908
		667253.0	1	AP1001704	4014486486810
		667254.0	1	no AP	
		667256.0	1	AP1003598	4014486485073
		667452.0	1	AP1001302	4014486492606
		667454.1	2	AP1002870	4014486472981
		667511.0	1	AP1000347	4014486466010
		667682.0	1	AP1001588	4014486484991
		667788.0	1	AP1001014	4014486487961
		667798.0	1	AP1000307	4014486465143
		667798.1	1	AP1000307	4014486465143
		667845.0	1	AP1003528	4014486470277
		667846.0	1	AP1000593	4014486469202
		667858.0	1	AP1001703	4014486486803
		667947.1	1	AP1004537	4014486720853
		667981.0	1	AP1001589	4014486485011
		667981.1	1	AP1001589	4014486485011
		667993.1	2	no AP	
		668619.0	1	AP1002644	4014486480696
		670723.1	1	AP1005241	
		670724.0	1	AP1001672	4014486486360
		670724.1	1	AP1001672	4014486486360
		670751.0	1	AP1005189	4044978222824
		670752.0	1	AP1004518	4014486718287
		670768.0	1	AP1004353	4014486713978
		670768.1	1	AP1004353	4014486713978
		670796.0	1	AP1004440	4014486715392
		670835.0	1	AP1004113	4014486522884
		670844.0	1	AP1005234	
		670999.0	1	AP1003979	4014486518405
		670999.2	1	AP1004795	4014486719529
		672350.1	1	AP1001795	4014486488029
		672359.1	1	AP1000477	4014486467482
		673639.1	1	AP1001114	4014486496970
		691381.0	1	AP1001278	4014486474442
		707001.1	1	AP1000426	4014486466898
		712386.0	1	AP1000001	4014486458978
		712419.0	1	AP1005329	4014486497557
		712419.2	1	AP1005329	4014486497557
		720607.0	2	AP1000457	4014486467260
		720607.1	2	AP1000457	4014486467260
		720696.1	1	no AP	
		721295.0	1	AP1003401	4014486463095
		722107.0	1	AP1002278	4014486478464
		724043.0	1	AP1000236	4014486463378
		724193.0	1	AP1000254	4014486464009



CLAAS

NR.	DRIVE	PART NUMBER	SET	AP NR.	EAN
		733308.0	1	AP1000483	4014486467543
		733309.0	1	AP1000895	4014486473377
		733311.0	1	AP1000620	4014486469608
		733361.0	1	no AP	
		742023.0	1	AP1003629	4014486488258
		742024.0	2	AP1002876	4014486471793
		742026.1	1	AP1003800	4014486518566
		742027.0	4	AP1004418	4014486714845
		742028.0	1	AP1000259	4014486464115
		742030.0	1	AP1004120	4014486522945
		742131.1	1	AP1000334	4014486465747
		742143.0	1	AP1000394	4014486466577
		742162.0	1	AP1003385	4014486462302
		742182.0	1	AP1001340	4014486474527
		742206.0	1	AP1000277	4014486464511
		744833.0	1	AP1001961	4014486490695
		744833.1	1	AP1001963	4014486490725
		744874.1	1	AP1004797	4014486719451
		744913.0	1	AP1000376	4014486466393
		744963.0	1	AP1003845	4014486465846
		744965.1	1	AP1004897	4014486758740
		744979.0	1	AP1004432	4014486715316
		746505.0	1	AP1002272	4014486478402
		746507.0	1	AP1000446	4014486467130
		746508.3	1	AP1000266	4014486464252
		746509.0	1	AP1000450	4014486467178
		746550.0	1	AP1004788	4014486719307
		747508.0	1	AP1000266	4014486464252
		749701.0	1	AP1000167	4014486461923
		749813.0	1	AP1001861	4014486488975
		749817.0	1	AP1000436	4014486467031
		749819.0	1	AP1002521	4014486494389
		749824.0	1	AP1002438	4014486493160
		749886.0	1	AP1003657	4014486489989
		749914.0	1	AP1000720	4014486471120
		749951.0	1	AP1001518	4014486460377
		750192.0	1	AP1000451	4014486467192
		750382.0	1	AP1003756	4014486461213
		750382.1	1	AP1003756	4014486461213
		750382.2	1	AP1003756	4014486461213
		755070.2	2	AP1002795	4014486463279
		756446.0	1	AP1003613	4014486486384
		756474.0	1	AP1001078	4014486498226
		758662.1	1	AP1000240	4014486463484
		760869.0	1	AP1002648	4014486480870
		760870.0	1	AP1002434	4014486493122
		760870.1	1	AP1002434	4014486493122
		761411.1	2	AP1002971	4014486495423
		761412.0	1	AP1002567	4014486495270
		761534.0	1	AP1002507	4014486494129
		761979.0	1	no AP	
		768125.0	1	AP1000034	4014486460711
		768457.0	1	AP1004738	4014486719093
		769005.0	1	AP1001019	4014486467710
		769202.0	1	AP1005143	4044978203458
		769202.1	1	AP1005143	4044978203458
		772647.1	1	AP1000485	4014486467567



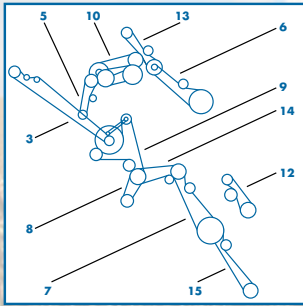
CLAAS

NR.	DRIVE	PART NUMBER	SET	AP NR.	EAN
		773015.0	1	AP1004908	4014486868524
		773298.0	1	AP1005194	4044978222756
		781038.0	1	AP1001020	4014486467802
		781047.0	1	AP1000888	4014486473292
		781394.0	1	AP1002070	4014486475531
		781399.0	1	AP1000300	4014486464979
		781400.0	1	AP1000278	4014486464528
		782209.0	1	AP1004445	4014486715460
		783476.0	1	AP1004301	4014486682991
		785168.2	1	AP1002318	4014486480061
		785169.0	1	AP1000437	4014486467048
		785170.0	1	AP1000451	4014486467192
		785172.0	1	AP1000290	4014486464771
		785172.1	1	AP1000290	4014486464771
		785173.0	1	no AP	
		785174.1	1	AP1001056	4014486484434
		785175.0	1	AP1005144	4044978203465
		790461.0	1	no AP	
		790502.0	1	AP1000355	4014486466126
		791307.0	1	AP1001009	4014486487916
		791717.0	1	AP1003192	4014486481853
		796343.0	1	AP1001194	4014486480276
		796344.0	1	AP1003797	4014486482287
		796719.0	2	AP1002567	4014486495270
		796728.0	2	AP1003727	4014486495164
		798779.0	1	AP1003946	4014486483550
		800306.0	1	AP1000514	4014486467932
		801491.0	1	AP1000942	4014486473964
		801680.0	1	AP1000349	4014486466041
		802530.0	1	AP1000302	4014486465037
		808761.0	1	AP1001347	4014486474602
		821249.0	1	AP1000105	4014486461084
		821813.0	1	AP1000102	4014486461046
		822597.0	1	no AP	
		825944.0	1	AP1000176	4014486462050
		827808.0	1	AP1004366	4014486714098
		827809.0	1	AP1004832	4014486714142
		829080.0	1	AP1002806	4014486463453
		837192.0	1	AP1000155	4014486461770
		837195.0	1	AP1003368	4014486461060
		837543.0	1	AP1000099	4014486460995
		837546.0	1	AP1000172	4014486461992
		837828.0	1	AP1000113	4014486461206
		838227.0	1	AP1003756	4014486461213
		847959.0	1	AP1004831	4014486714128
		854132.0	1	AP1000112	4014486461183
		895105.0	1	AP1000938	4014486473919
		901573.0	3	AP1002988	4014486475609
		905037.0	2	AP1004912	4014486868562
		906561.0	1	AP1001300	4014486492552
		906736.0	1	AP1001987	4014486491074
		906736.1	1	AP1001987	4014486491074
		916529.1	2	AP1000148	4014486461671
		916532.1	1	AP1001893	4014486489521
		917533.0	1	AP1001555	4014486484540
		922188.0	3	AP1002799	4014486464276
		922518.0	4	AP1004394	4014486714609

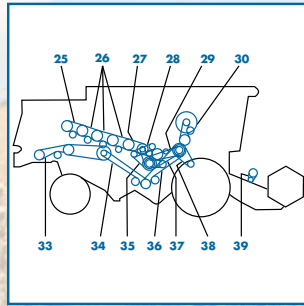


CLAAS

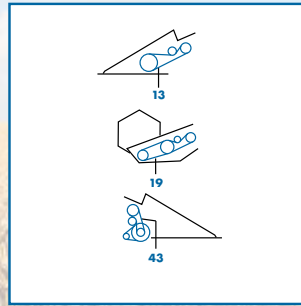
NR.	DRIVE	PART NUMBER	SET	AP NR.	EAN
		922519.0	4	AP1003389	4014486462517
		922589.0	5	AP1000325	4014486465518
		927323.1	1	AP1004456	4014486715576
		927654.0	1	AP1000602	4014486469349
		934301.0	1	AP1000254	4014486464009
		934417.2	1	AP1003531	4014486470406
		934418.1	1	AP1003536	4014486470598
		934418.2	4	AP1000687	4014486470659
		934862.0	4	AP1002765	4014486464344
		936409.0	4	AP1003440	4014486464924
		936718.0	3	AP1002800	4014486463972
		936823.1	4	AP1002765	4014486464344
		937031.0	3	AP1005135	4044978203373
		937605.0	4	AP1002813	4014486462319
		937997.0	3	AP1000238	4014486463422
		938171.0	4	AP1000309	4014486465174
		938171.2	5	AP1002803	4014486520033
		938486.0	5	AP1000313	4014486465273
		938931.0	4	AP1000322	4014486465440
		939297.0	2	AP1003036	4014486477733
		940490.0	4	AP1002181	4014486477238
		943239.0	2	AP1000230	4014486463187
		947112.0	4	AP1002812	4014486462258
		947916.0	4	AP1003750	4014486462326
		947916.1	4	AP1003750	4014486462326
		949396.0	4	AP1000214	4014486462708
		949668.0	3	AP1003311	4014486518559
		949670.0	4	AP1002815	4014486462227
		949888.0	4	AP1002772	4014486465655
		950133.0	4	AP1003449	4014486465501
		950327.0	1	AP1000314	4014486465297
		950864.0	5	AP1000336	4014486465792
		950890.0	1	AP1001931	4014486490275
		951457.0	3	AP1000233	4014486463293
		951654.0	4	AP1002813	4014486462319
		951654.1	4	AP1002813	4014486462319
		951655.0	3	AP1002818	4014486463385
		951655.1	3	AP1004400	4014486714661
		951889.0	1	AP1000281	4014486464580
		951917.0	4	AP1002797	4014486465457
		952578.0	1	AP1000288	4014486464726
		952937.0	3	AP1002820	4014486464450
		952937.1	3	AP1002820	4014486464450
		953002.8	1	AP1000460	4014486467291
		976299.0	3	AP1003415	4014486463637
		977505.1	1	AP1004780	4014486716917
		977506.1	1	AP1004771	4014486716832
		980850.0	1	AP1001801	4014486488098
		980851.0	1	AP1001829	4014486488517
		980852.0	1	AP1001805	4014486488166
		980852.1	1	AP1001805	4014486488166
		980853.0	2	AP1002877	4014486470499
		982376.0	2	AP1000644	4014486470048
		982376.1	2	AP1000644	4014486470048
		984885.1	1	AP1001810	4014486488227
		985517.0	1	AP1001804	4014486488142
		986390.0	1	AP1001942	4014486490428



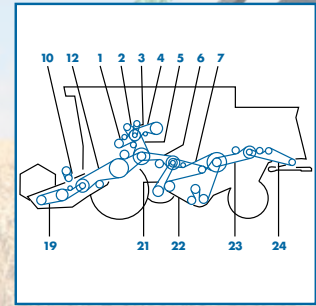
COLUMBUS



COMMANDOR 114 LEFT



COMMANDOR 114 MIDDLE



COMMANDOR 114 RIGHT

CLAAS

NR.	DRIVE	PART NUMBER	SET	AP NR.	EAN
		986700.1	1	AP1001847	4014486488777
		A0139973592	1	AP1004463	4014486712155
		AN1462.0	1	AP1003643	4014486489156
		AN6461.0	1	AP1004113	4014486522884
		E040T08	1	AP1004022	4014486519723
		V011532.0	1	AP1004635	4014486717976
		V209702.0	1	no AP	
		V209707.0	1	AP1004667	4014486718805
		V2714110	1	no AP	
COLUMBUS					
1	BALER	506880.0	1	AP1000901	4014486473476
1	BALER	506940.0	1	AP1000934	4014486473858
2	ALTERNATOR DRIVE	624131.0	1	AP1000194	4014486462289
2	ALTERNATOR DRIVE	750296.0	1	AP1000198	4014486462357
2	ALTERNATOR DRIVE	750624.0	1	AP1000197	4014486462340
3	KNIFE DRIVE	756051.0	1	AP1000596	4014486469257
3	KNIFE DRIVE	801221.0	1	AP1004103	4014486473315
4	TANK UNLOADER DRIVE	756059.0	1	AP1000889	4014486520286
5	CUTTING TABLE DRIVE	772657.0	1	AP1000619	4014486469592
5	CUTTING TABLE DRIVE	772657.1	1	AP1000619	4014486469592
6	SPREADER GRAIN IN TANK	775698.0	1	AP1000272	4014486464429
7	PICK UP DRIVE	800309.0	1	AP1000288	4014486464726
8	SHAKER SHOE FANNING MILL	506023.0	1	AP1000928	4014486473780
9	THRESHING MACHINE	801222.0	4	AP1000336	4014486465792
10	TRACTION DRIVE	750294.0	1	AP1000251	4014486463897
11	TRACTION DRIVE	751112.0	1	AP1001161	4014486497427
12	SHAKER SHOE FANNING MILL	772658.0	1	AP1000935	4014486473865
12	SHAKER SHOE FANNING MILL	772660.0	1	AP1000936	4014486473872
13	STRAW WALKER ELEVATOR	773313.0	1	AP1000480	4014486467512
13	STRAW WALKER ELEVATOR	774100.0	1	AP1000517	4014486467970
COMMANDOR 114					
0	FOR STRAW CHOPPER	061700.1	1	AP1003356	4014486486131
0		603017.0	2	AP1000833	4014486472592
0		603017.2	2	AP1000833	4014486472592
1		629279.0	1	AP1001936	4014486490336
2		629002.0	1	AP1003395	4014486462715
2		629002.1	1	AP1003395	4014486462715
3		629908.0	1	AP1002332	4014486478631
3		629908.1	1	AP1002332	4014486478631
4		629763.0	1	AP1003593	4014486484977
5		629000.1	1	AP1003661	4014486490657
6		603337.0	1	AP1000662	4014486470260
7		644141.0	1	AP1000476	4014486467475
7		644141.1	1	AP1000476	4014486467475
10	TO 5.1 M CUTTING TABLE	670224.1	1	AP1001158	4014486497380
12		603017.3	2	AP1000833	4014486472592
13	FOR MAIZE PICKER	692149.0	1	AP1001852	4014486488869
13	FOR MAIZE PICKER	692150.0	1	AP1001857	4014486488920
16	FROM 6.0 M CUTTING TABLE	671013.1	1	AP1000676	4014486470482
19	TO 5.1 M CUTTING TABLE	713506.0	1	AP1000315	4014486465310
19	TO 5.1 M CUTTING TABLE	713506.1	1	AP1000315	4014486465310
19	TO 5.1 M CUTTING TABLE	713506.2	1	AP1000315	4014486465310
21		603380.0	1	AP1001080	4014486498240
21	BLOWER - VARIABLE SPEED DRIVE	603380.1	1	AP1001080	4014486498240
22		609762.0	1	AP1001713	4014486486919

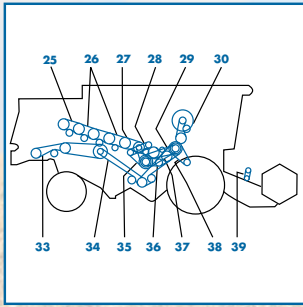


CLAAS

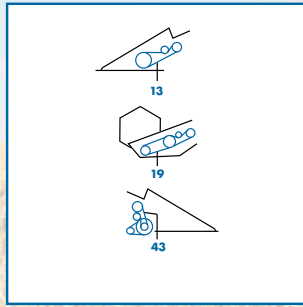
NR.	DRIVE	PART NUMBER	SET	AP NR.	EAN
23	FOR STRAW DISTRIBUTOR	506671.0	1	AP1000506	4014486467840
23	FOR STRAW DISTRIBUTOR	506671.1	1	AP1000506	4014486467840
23	FOR STRAW DISTRIBUTOR	506671.2	1	AP1000506	4014486467840
24	FOR STRAW DISTRIBUTOR	640653.1	1	AP1000350	4014486466065
25		644014.0	1	AP1002319	4014486480078
25		644014.1	1	AP1002319	4014486480078
26		644015.1	1	AP1002913	4014486484601
27		644016.0	1	AP1001800	4014486488104
27		644016.1	1	AP1001800	4014486488104
29		064168.0	1	AP1003635	4014486488753
29		064168.1	1	AP1003635	4014486488753
29		064168.2	1	AP1003635	4014486488753
30		233843.1	1	AP1000237	4014486463408
33	FOR GRAIN	061701.1	1	AP1000790	4014486472066
33	FOR GRAIN	061701.2	1	AP1000790	4014486472066
33	FOR MAIZE	061872.0	2	AP1002867	4014486471939
34	FOR STRAW CHOPPER	061700.0	1	AP1003356	4014486486131
35		603247.1	1	AP1003626	4014486488111
38	CYLINDER N=650-1500 RPM	628630.0	1	AP1001208	4014486497670
38	CYLINDER N=500-1400 RPM	644177.0	1	AP1001221	4014486497762
39	FROM 6.0 M CUTTING TABLE	670224.1	1	AP1001158	4014486497380
43		680334.0	1	AP1001819	4014486488364
43		680334.1	1	AP1001819	4014486488364

COMMANDOR 114 CS

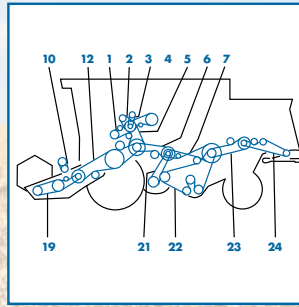
0	FEEDER HOUSING CUTTERBAR	603017.0	2	AP1000833	4014486472592
0		644014.0	1	AP1002319	4014486480078
1	GROUND DRIVE	629279.0	1	AP1001936	4014486490336
2	HYDRAULIC PUMP	629002.0	1	AP1003395	4014486462715
2	HYDRAULIC PUMP	629002.1	1	AP1003395	4014486462715
3	AIR CONDITIONER	629908.0	1	AP1002332	4014486478631
3	AIR CONDITIONER	629908.1	1	AP1002332	4014486478631
4	GRAIN TANK UNLOADING	629763.0	1	AP1003593	4014486484977
5	INTERMEDIATE DRIVE THRESHING MECHANISM	629000.1	1	AP1003661	4014486490657
6	INTERMEDIATE DRIVE BLOWER	603337.0	1	AP1000662	4014486470260
7	INTERMEDIATE DRIVE SIEVE PAN	644141.1	1	AP1000476	4014486467475
10	TO 5.1 M CUTTERBAR	670224.1	1	AP1001158	4014486497380
12	FEEDER HOUSING CUTTERBAR	603017.2	2	AP1000833	4014486472592
12	FEEDER HOUSING CUTTERBAR	603017.3	2	AP1000833	4014486472592
13	FOR CORN PICKER	692149.0	1	AP1001852	4014486488869
13	FOR CORN PICKER	692150.0	1	AP1001857	4014486488920
16	FROM 6.0 M CUTTERBAR	671013.1	1	AP1000676	4014486470482
19	TO 5.1 M CUTTERBAR	713506.0	1	AP1000315	4014486465310
19	TO 5.1 M CUTTERBAR	713506.1	1	AP1000315	4014486465310
19	TO 5.1 M CUTTERBAR	713506.2	1	AP1000315	4014486465310
21	BLOWER - VARIABLE SPEED DRIVE	603380.1	1	AP1001080	4014486498240
22	SIEVE BOX	609762.0	1	AP1001713	4014486486919
23	INTERMEDIATE DRIVE STRAW DISTRIBUTOR	506671.0	1	AP1000506	4014486467840
23	INTERMEDIATE DRIVE STRAW DISTRIBUTOR	506671.1	1	AP1000506	4014486467840
23	INTERMEDIATE DRIVE STRAW DISTRIBUTOR	506671.2	1	AP1000506	4014486467840
24	FOR STRAW SPREADER	640653.1	1	AP1000350	4014486466065
25	8. SEPARATOR DRUM	644014.0	1	AP1002319	4014486480078
25	8. SEPARATOR DRUM	644014.1	1	AP1002319	4014486480078
26	3.5, 6.7 SEPARATOR DRUM	644015.1	1	AP1002913	4014486484601
27	4TH SEPARATOR DRUM	644016.1	1	AP1001800	4014486488104
29	INTERMEDIATE DRIVE DRUM VARIABLE SPEED	064168.0	1	AP1003635	4014486488753
29	INTERMEDIATE DRIVE DRUM VARIABLE SPEED	064168.1	1	AP1003635	4014486488753



COMMANDOR 115 LEFT



COMMANDOR 115 MIDDLE



COMMANDOR 115 RIGHT

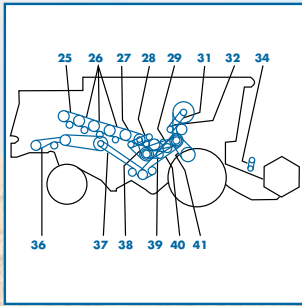
CLAAS

NR.	DRIVE	PART NUMBER	SET	AP NR.	EAN
COMMANDOR 115					
0	FOR STRAW CHOPPER	061700.1	1	AP1003356	4014486486131
0		603017.0	2	AP1000833	4014486472592
0		603017.2	2	AP1000833	4014486472592
0		644017.1	1	AP1001236	4014486491906
0		695610.1	1	no AP	
1		644017.0	1	AP1001236	4014486491906
2		629002.0	1	AP1003395	4014486462715
2		629002.1	1	AP1003395	4014486462715
3		629908.0	1	AP1002332	4014486478631
3		629908.1	1	AP1002332	4014486478631
4		629763.0	1	AP1003593	4014486484977
5		644018.1	1	AP1001243	4014486491982
6		603337.0	1	AP1000662	4014486470260
7		644141.0	1	AP1000476	4014486467475
7		644141.1	1	AP1000476	4014486467475
10	TO 5.1 M CUTTING TABLE	670224.1	1	AP1001158	4014486497380
12		603017.3	2	AP1000833	4014486472592
13	FOR MAIZE PICKER	692149.0	1	AP1001852	4014486488869
13	FOR MAIZE PICKER	692150.0	1	AP1001857	4014486488920
16	FROM 6.0 M CUTTING TABLE	671013.1	1	AP1000676	4014486470482
19	TO 5.1 M CUTTING TABLE	713506.0	1	AP1000315	4014486465310
19	TO 5.1 M CUTTING TABLE	713506.1	1	AP1000315	4014486465310
19	TO 5.1 M CUTTING TABLE	713506.2	1	AP1000315	4014486465310
21		603380.0	1	AP1001080	4014486498240
21	BLOWER - VARIABLE SPEED DRIVE	603380.1	1	AP1001080	4014486498240
22		609762.0	1	AP1001713	4014486486919
23	FOR STRAW DISTRIBUTOR	506671.0	1	AP1000506	4014486467840
23	FOR STRAW DISTRIBUTOR	506671.1	1	AP1000506	4014486467840
23	FOR STRAW DISTRIBUTOR	506671.2	1	AP1000506	4014486467840
24	FOR STRAW DISTRIBUTOR	640653.1	1	AP1000350	4014486466065
25		644014.0	1	AP1002319	4014486480078
25		644014.1	1	AP1002319	4014486480078
26		644015.1	1	AP1002913	4014486484601
27		644016.1	1	AP1001800	4014486488104
29		064168.0	1	AP1003635	4014486488753
29		064168.1	1	AP1003635	4014486488753
29		064168.2	1	AP1003635	4014486488753
30		233843.1	1	AP1000237	4014486463408
33	FOR GRAIN	061701.1	1	AP1000790	4014486472066
33	FOR GRAIN	061701.2	1	AP1000790	4014486472066
33	FOR MAIZE	061872.0	2	AP1002867	4014486471939
34	FOR STRAW CHOPPER	061700.0	1	AP1003356	4014486486131
35		603247.1	1	AP1003626	4014486488111
36		061700.0	1	AP1003356	4014486486131
38	CYLINDER N=650-1500 RPM	628630.0	1	AP1001208	4014486497670
38	CYLINDER N=500-1400 RPM	644177.0	1	AP1001221	4014486497762
39	FROM 6.0 M CUTTING TABLE	670224.1	1	AP1001158	4014486497380
43		680334.0	1	AP1001819	4014486488364
43		680334.1	1	AP1001819	4014486488364

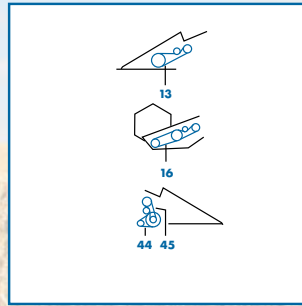


CLAAS

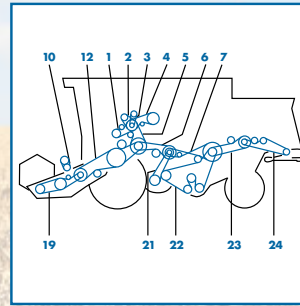
NR.	DRIVE	PART NUMBER	SET	AP NR.	EAN
COMMANDOR 115 CS					
0	INTERMEDIATE DRIVE STRAW DISTRIBUTOR	506671.0	1	AP1000506	4014486467840
0	INTERMEDIATE DRIVE STRAW DISTRIBUTOR	506671.1	1	AP1000506	4014486467840
0	FEEDER HOUSING CUTTERBAR	603017.0	2	AP1000833	4014486472592
0		644014.0	1	AP1002319	4014486480078
1	GROUND DRIVE	644017.0	1	AP1001236	4014486491906
2	HYDRAULIC PUMP	629002.0	1	AP1003395	4014486462715
2	HYDRAULIC PUMP	629002.1	1	AP1003395	4014486462715
3	AIR CONDITIONER	629908.0	1	AP1002332	4014486478631
3	AIR CONDITIONER	629908.1	1	AP1002332	4014486478631
4	GRAIN TANK UNLOADING	629763.0	1	AP1003593	4014486484977
5	INTERMEDIATE DRIVE THRESHING MECHANISM	644018.1	1	AP1001243	4014486491982
6	INTERMEDIATE DRIVE BLOWER	603337.0	1	AP1000662	4014486470260
7	INTERMEDIATE DRIVE SIEVE PAN	644141.1	1	AP1000476	4014486467475
10	TO 5.1 M CUTTERBAR	670224.1	1	AP1001158	4014486497380
12	FEEDER HOUSING CUTTERBAR	603017.3	2	AP1000833	4014486472592
13	FOR CORN PICKER	692149.0	1	AP1001852	4014486488869
13	FOR CORN PICKER	692150.0	1	AP1001857	4014486488920
16	FROM 6.0 M CUTTERBAR	671013.1	1	AP1000676	4014486470482
19	TO 5.1 M CUTTERBAR	713506.0	1	AP1000315	4014486465310
19	TO 5.1 M CUTTERBAR	713506.1	1	AP1000315	4014486465310
19	TO 5.1 M CUTTERBAR	713506.2	1	AP1000315	4014486465310
21	BLOWER - VARIABLE SPEED DRIVE	603380.1	1	AP1001080	4014486498240
22	SIEVE BOX	609762.0	1	AP1001713	4014486486919
23	INTERMEDIATE DRIVE STRAW DISTRIBUTOR	506671.2	1	AP1000506	4014486467840
24	FOR STRAW SPREADER	640653.1	1	AP1000350	4014486466065
25	8. SEPARATOR DRUM	644014.0	1	AP1002319	4014486480078
25	8. SEPARATOR DRUM	644014.1	1	AP1002319	4014486480078
26	3.5, 6.7 SEPARATOR DRUM	644015.1	1	AP1002913	4014486484601
27	4TH SEPARATOR DRUM	644016.1	1	AP1001800	4014486488104
29	INTERMEDIATE DRIVE DRUM VARIABLE SPEED	064168.0	1	AP1003635	4014486488753
29	INTERMEDIATE DRIVE DRUM VARIABLE SPEED	064168.1	1	AP1003635	4014486488753
29	INTERMEDIATE DRIVE DRUM VARIABLE SPEED	064168.2	1	AP1003635	4014486488753
30	TO No. 15800110	233843.1	1	AP1000237	4014486463408
30	ROTOR DRIVE	783430.0	1	AP1000238	4014486463422
30	ROTOR DRIVE	783430.1	1	AP1000238	4014486463422
33	CHOPPER, GRAIN	061701.1	1	AP1000790	4014486472066
33	CHOPPER, GRAIN	061701.2	1	AP1000790	4014486472066
33	CHOPPER, CORN	061872.0	2	AP1002867	4014486471939
34	INTERMEDIATE DRIVE II CHOPPER	061700.1	1	AP1003356	4014486486131
35	INTERMEDIATE DRIVE SEPARATOR DRUM	603247.1	1	AP1003626	4014486488111
36	INTERMEDIATE DRIVE I CHOPPER	061700.1	1	AP1003356	4014486486131
37	1ST AND 2ND SEPARATOR DRUM	644014.0	1	AP1002319	4014486480078
37	1ST AND 2ND SEPARATOR DRUM	644014.1	1	AP1002319	4014486480078
38	AT N 650 - 1500 MIN-1	628630.0	1	AP1001208	4014486497670
38	AT N 500 - 1400 MIN-1	644177.0	1	AP1001221	4014486497762
39	FROM 6.0 M CUTTERBAR	670224.1	1	AP1001158	4014486497380
42	FOR HPH - G PICKER	695610.0	1	No AP	
42	FOR HPH - G PICKER	695610.1	1	No AP	
43	FOR HPH - G PICKER	680334.0	1	AP1001819	4014486488364
43	FOR HPH - G PICKER	680334.1	1	AP1001819	4014486488364
	FEEDER HOUSING CUTTERBAR	603017.2	2	AP1000833	4014486472592
	GROUND DRIVE	644017.1	1	AP1001236	4014486491906



COMMANDOR 116 LEFT



COMMANDOR 116 MIDDLE



COMMANDOR 116 RIGHT

CLAAS

NR.	DRIVE	PART NUMBER	SET	AP NR.	EAN
COMMANDOR 116					
0	CONVEYOR SHAFT 1463 MM	603017.0	2	AP1000833	4014486472592
0	HYDRAULIC PUMP DRIVE (FROM NR. 15900371)	633030.0	1	AP1000220	4014486462838
0	ROTARY SIEVE DRIVE (TO NR. 15900150)	633030.0	1	AP1000220	4014486462838
1	TRAVEL DRIVE (TO NR. 15900370)	644017.0	1	AP1001236	4014486491906
1	TRAVEL DRIVE (TO NR. 15900370)	644017.1	1	AP1001236	4014486491906
1	TRAVEL DRIVE (FROM NR. 15900371)	661092.1	1	AP1001238	4014486491920
2	HYDRAULIC PUMP DRIVE (TO NR. 15900370)	629002.0	1	AP1003395	4014486462715
2	HYDRAULIC PUMP DRIVE (TO NR. 15900370)	629002.1	1	AP1003395	4014486462715
2	HYDRAULIC PUMP DRIVE (FROM NR. 15900371)	633030.2	1	AP1000220	4014486462838
3	AIR CONDITIONING COMPRESSOR DRIVE	629908.0	1	AP1002332	4014486478631
3	AIR CONDITIONING COMPRESSOR DRIVE	629908.1	1	AP1002332	4014486478631
4	TANK UNLOADING (TO NR. 15900370)	629763.0	1	AP1003593	4014486484977
4	TANK UNLOADING (FROM NR. 15900371)	661093.0	1	AP1001581	4014486484885
5	THRESHING CYLINDER (TO NR. 15900370)	644018.1	1	AP1001243	4014486491982
5	THRESHING CYLINDER (FROM NO. 15900371)	644403.0	1	AP1001247	4014486492033
6	COUNTERSHAFT - FAN DRIVE	603337.0	1	AP1000662	4014486470260
7	SHAKER SHOE DRIVE (TO NR. 15900370)	603336.0	1	AP1000478	4014486467499
7	SHAKER SHOE DRIVE (TO NR. 15900370)	603336.1	1	AP1000478	4014486467499
7	SHAKER SHOE DRIVE (FROM NR. 15900371)	644141.1	1	AP1000476	4014486467475
10	REEL DRIVE BY 5.1 M CUTTING TABLE	670224.1	1	AP1001158	4014486497380
12	CONVEYOR SHAFT 1463 MM	603017.3	2	AP1000833	4014486472592
12	CONVEYOR SHAFT 1306 MM (TO NR. 15900460)	603430.0	2	AP1000823	4014486472493
12	CONVEYOR SHAFT 1306 MM (FROM NR. 15900461)	644419.0	2	AP1000832	4014486472585
13	CUTTING TABLE DRIVE (MAIZE)	629142.0	1	AP1001954	4014486490596
13	FOR MAIZE PICKER	692149.0	1	AP1001852	4014486488869
13	FOR MAIZE PICKER HINGED	692150.0	1	AP1001857	4014486488920
16	CUTTING MECHANICAL FROM 6.0 M CUTTING TABLE	671013.1	1	AP1000676	4014486470482
19	CUTTING MECHANICAL BY 5.1 M CUTTING MECH	713506.0	1	AP1000315	4014486465310
19	CUTTING MECHANICAL BY 5.1 M CUTTING MECH	713506.1	1	AP1000315	4014486465310
19	CUTTING MECHANICAL BY 5.1 M CUTTING MECH	713506.2	1	AP1000315	4014486465310
21	CLEANING FAN	603380.0	1	AP1001080	4014486498240
22	SHAKER SHOE DRIVE	609762.0	1	AP1001713	4014486486919
23	FOR STRAW DISTRIBUTOR	506671.0	1	AP1000506	4014486467840
23	FOR STRAW DISTRIBUTOR	506671.1	1	AP1000506	4014486467840
23	FOR STRAW DISTRIBUTOR	506671.2	1	AP1000506	4014486467840
23	DISTRIBUTOR GRAIN	713506.0	1	AP1000315	4014486465310
23	DISTRIBUTOR GRAIN	713506.1	1	AP1000315	4014486465310
23	DISTRIBUTOR GRAIN	713506.2	1	AP1000315	4014486465310
24	STRAW DISTRIBUTOR	640653.1	1	AP1000350	4014486466065
25	8. SEPARATOR DRUM	644014.0	1	AP1002319	4014486480078
25	8. SEPARATOR DRUM	644014.1	1	AP1002319	4014486480078
26	SEPARATOR CYLINDER 3. 5. 6. AND 7	644015.1	1	AP1002913	4014486484601
27	SEPARATOR CYLINDER 4.	644016.1	1	AP1001800	4014486488104
28	COUNTERSHAFT - VARIATOR DRIVE	064168.0	1	AP1003635	4014486488753
28	COUNTERSHAFT - VARIATOR DRIVE	064168.1	1	AP1003635	4014486488753
28	COUNTERSHAFT - VARIATOR DRIVE	064168.2	1	AP1003635	4014486488753
31	ROTARY SIEVE DRIVE (TO NR. 15900370)	644267.0	1	AP1000243	4014486463613
32	ROTARY SIEVE COUNTERSHAFT NR. 15900151-15900370	233839.2	3	AP1000226	4014486463026
32	ROTARY SIEVE DRIVE (TO NR. 15900150)	633030.2	1	AP1000220	4014486462838
34	REEL DRIVE FROM 6.0 M CUTTING TABLE	670224.1	1	AP1001158	4014486497380
36	STRAW CHOPPER (GRAIN)	061701.1	1	AP1000790	4014486472066
36	STRAW CHOPPER (GRAIN)	061701.2	1	AP1000790	4014486472066
36	STRAW CHOPPER (MAIZE)	061872.0	2	AP1002867	4014486471939
37	COUNTERSHAFT (2ND STAGE) - STRAW CHOPPER	061700.0	1	AP1003356	4014486486131
37	INTERMEDIATE DRIVE II CHOPPER	061700.1	1	AP1003356	4014486486131



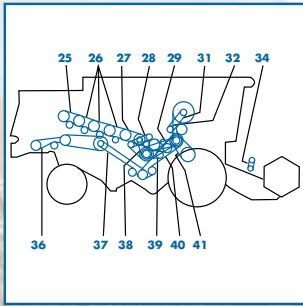
CLAAS

NR.	DRIVE	PART NUMBER	SET	AP NR.	EAN
38	COUNTERSHAFT - STRAW STRIPPER DRUM	603247.1	1	AP1003626	4014486488111
39	COUNTERSHAFT (PRIMARY) - STRAW CHOPPER	061700.0	1	AP1003356	4014486486131
40	1. AND 2. SEPARATOR CYLINDER	644014.0	1	AP1002319	4014486480078
40	1. AND 2. SEPARATOR CYLINDER	644014.1	1	AP1002319	4014486480078
41	CYLINDER N=650-1500 RPM (TO NR. 15900310)	628630.0	1	AP1001208	4014486497670
41	CYLINDER N=500-1400 RPM	644177.0	1	AP1001221	4014486497762
41	INTERMEDIATE DRIVE THRESHING MECHANISM FROM NO. 15900371	644418.0	1	AP1001212	4014486497717
41	INTERMEDIATE DRIVE THRESHING MECHANISM FROM NO. 15900371	644418.1	1	AP1001212	4014486497717
41	AT HIGH - LOW SPEED RANGE TRANSMISSION FROM NO. 15900581	661429.0	1	AP1001212	4014486497717
43		680334.1	1	AP1001819	4014486488364
45	ROTOR DRIVE FROM NO. 15900371	680334.0	1	AP1001819	4014486488364
45	ROTOR DRIVE FROM NO. 15900371	680334.1	1	AP1001819	4014486488364
46	ROTARY SIEVE (FROM NR. 15900371)	661345.0	1	AP1000160	4014486461824
47	ROTARY SIEVE COUNTERSHAFT (FROM NR. 15900371)	661245.0	1	AP1003377	4014486461435
48	DISTRIBUTOR - N=531 RPM (FROM NR. 70910057)	501925.0	1	AP1003449	4014486465501
48	DISTRIBUTOR - N=531 RPM (TO NR. 70910056)	802931.0	1	AP1003456	4014486465945
49	DISTRIBUTOR - N=676 RPM (FROM NR. 70910057)	687046.0	1	AP1000323	4014486465471
49	FOR CHAFF SPREADER TO NO. 70910056 AT 676 MIN-1	750288.0	4	AP1000339	4014486520217
49	FOR CHAFF SPREADER TO NO. 70910056 AT 676 MIN-1	750288.1	4	AP1000339	4014486520217
50	ALTERNATOR DRIVE (TO NR. 15900370)	133528.0	1	AP1002560	4014486495102
50	ALTERNATOR DRIVE (FROM NR. 15900371)	133640.0	1	AP1003746	4014486495928
51	WATERPUMP DRIVE (FROM NR. 15900370)	133630.0	2	AP1002961	4014486495058
51	WATERPUMP DRIVE (FROM NR. 15900370)	133630.1	2	AP1002961	4014486495058
	CONVEYOR SHAFT 1463 MM	603017.2	2	AP1000833	4014486472592
	FAN DRIVE VARIABLE SPEED	603380.1	1	AP1001080	4014486498240
	CONVEYOR SHAFT 1306 MM (TO NR. 15900460)	603430.1	2	AP1000823	4014486472493
	HYDRAULIC PUMP DRIVE (FROM NR. 15900371)	633030.1	1	AP1000220	4014486462838
	ROTARY SIEVE DRIVE (TO NR. 15900150)	633030.1	1	AP1000220	4014486462838
	CONVEYOR SHAFT 1306 MM (FROM NR. 15900461)	644419.1	2	AP1000832	4014486472585
	DISTRIBUTOR - N=676 RPM (FROM NR. 70910057)	687046.1	1	AP1000323	4014486465471
COMMANDOR 116 CS					
0	INTERMEDIATE DRIVE VARIABLE SPEED DRIVE	064168.0	1	AP1003635	4014486488753
0	FOR STRAW SPREADER	506671.0	1	AP1000506	4014486467840
0	FOR STRAW SPREADER	506671.1	1	AP1000506	4014486467840
0	SHAFTS DISTANCE 1463 MM	603017.0	2	AP1000833	4014486472592
0	HYDRAULIC PUMP FROM NO. 15900371	633030.0	1	AP1000220	4014486462838
0	TO NO. 15900150	633030.0	1	AP1000220	4014486462838
0	AT 5.1 M CUTTERBAR	713506.0	1	AP1000315	4014486465310
0	FOR CHAFF SPREADER	713506.0	1	AP1000315	4014486465310
0	FOR CHAFF SPREADER TO NO. 70910056 AT 676 MIN-1	750288.1	4	AP1000339	4014486520217
1	TRAVEL DRIVE (TO NR. 15900370)	644017.0	1	AP1001236	4014486491906
1	TRAVEL DRIVE (FROM NR. 15900371)	661092.1	1	AP1001238	4014486491920
2	HYDRAULIC PUMP DRIVE (TO NR. 15900370)	629002.0	1	AP1003395	4014486462715
2	HYDRAULIC PUMP DRIVE (TO NR. 15900370)	629002.1	1	AP1003395	4014486462715
2	HYDRAULIC PUMP DRIVE (FROM NR. 15900371)	633030.2	1	AP1000220	4014486462838
3	AIR CONDITIONING COMPRESSOR DRIVE	629908.0	1	AP1002332	4014486478631
3	AIR CONDITIONING COMPRESSOR DRIVE	629908.1	1	AP1002332	4014486478631
4	TANK UNLOADING (TO NR. 15900370)	629763.0	1	AP1003593	4014486484977
4	TANK UNLOADING (FROM NR. 15900371)	661093.0	1	AP1001581	4014486484885
5	THRESHING CYLINDER (TO NR. 15900370)	644018.1	1	AP1001243	4014486491982
5	INTERMEDIATE DRIVE THRESHING MECHANISM FROM NO. 15900371	644403.0	1	AP1001247	4014486492033
6	COUNTERSHAFT - FAN DRIVE	603337.0	1	AP1000662	4014486470260
7	SHAKER SHOE DRIVE (TO NR. 15900370)	603336.0	1	AP1000478	4014486467499
7	SHAKER SHOE DRIVE (TO NR. 15900370)	603336.1	1	AP1000478	4014486467499
7	SHAKER SHOE DRIVE (FROM NR. 15900371)	644141.1	1	AP1000476	4014486467475
10	AT 5.1 M CUTTERBAR	670224.1	1	AP1001158	4014486497380

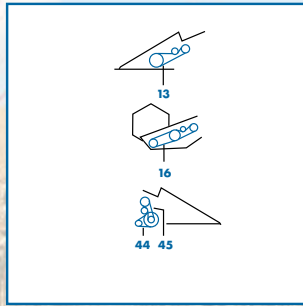


CLAAS

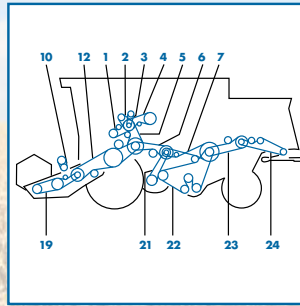
NR.	DRIVE	PART NUMBER	SET	AP NR.	EAN
12	SHAFTS DISTANCE 1463 MM	603017.3	2	AP1000833	4014486472592
12	CONVEYOR SHAFT 1306 MM (TO NR. 15900460)	603430.0	2	AP1000823	4014486472493
12	CONVEYOR SHAFT 1306 MM (FROM NR. 15900461)	644419.0	2	AP1000832	4014486472585
13	CORN PICKER FOLDING	629142.0	1	AP1001954	4014486490596
13	FOR CORN PICKER	692149.0	1	AP1001852	4014486488869
13	FOR CORN PICKER	692150.0	1	AP1001857	4014486488920
16	CUTTING MECHANICAL FROM 6.0 M CUTTING TABLE	671013.1	1	AP1000676	4014486470482
19	CUTTING MECHANICAL BY 5.1 M CUTTING TABLE	713506.0	1	AP1000315	4014486465310
19	CUTTING MECHANICAL BY 5.1 M CUTTING TABLE	713506.1	1	AP1000315	4014486465310
19	CUTTING MECHANICAL BY 5.1 M CUTTING TABLE	713506.2	1	AP1000315	4014486465310
21	FAN	603380.1	1	AP1001080	4014486498240
22	SHAKER SHOE DRIVE	609762.0	1	AP1001713	4014486486919
23	FOR STRAW DISTRIBUTOR	506671.2	1	AP1000506	4014486467840
23	DISTRIBUTOR GRAIN	713506.0	1	AP1000315	4014486465310
23	DISTRIBUTOR GRAIN	713506.1	1	AP1000315	4014486465310
23	DISTRIBUTOR GRAIN	713506.2	1	AP1000315	4014486465310
24	STRAW DISTRIBUTOR	640653.1	1	AP1000350	4014486466065
25	8. SEPARATOR DRUM	644014.0	1	AP1002319	4014486480078
25	8. SEPARATOR DRUM	644014.1	1	AP1002319	4014486480078
26	SEPARATOR CYLINDER 3. 5. 6. AND 7	644015.1	1	AP1002913	4014486484601
27	SEPARATOR CYLINDER 4.	644016.1	1	AP1001800	4014486488104
28	COUNTERSHAFT - VARIATOR DRIVE	064168.0	1	AP1003635	4014486488753
28	COUNTERSHAFT - VARIATOR DRIVE	064168.1	1	AP1003635	4014486488753
28	COUNTERSHAFT - VARIATOR DRIVE	064168.2	1	AP1003635	4014486488753
31	ROTARY SIEVE DRIVE (TO NR. 15900370)	644267.0	1	AP1000243	4014486463613
32	ROTARY SIEVE COUNTERSHAFT NR. 15900151-15900370	233839.2	3	AP1000226	4014486463026
32	ROTARY SIEVE DRIVE (TO NR. 15900150)	633030.2	1	AP1000220	4014486462838
34	REEL DRIVE FROM 6.0 M CUTTING TABLE	670224.1	1	AP1001158	4014486497380
36	STRAW CHOPPER (GRAIN)	061701.1	1	AP1000790	4014486472066
36	STRAW CHOPPER (GRAIN)	061701.2	1	AP1000790	4014486472066
36	CHOPPER, CORN	061872.0	2	AP1002867	4014486471939
38	COUNTERSHAFT - STRAW STRIPPER DRUM	603247.1	1	AP1003626	4014486488111
39	INTERMEDIATE DRIVE I CHOPPER	061700.1	1	AP1003356	4014486486131
40	1. AND 2. SEPARATOR CYLINDER	644014.0	1	AP1002319	4014486480078
40	1. AND 2. SEPARATOR CYLINDER	644014.1	1	AP1002319	4014486480078
41	CYLINDER N=650-1500 RPM (TO NR. 15900310)	628630.0	1	AP1001208	4014486497670
41	INTERMEDIATE DRIVE THRESHING MECHANISM FROM NO. 15900371	644418.0	1	AP1001212	4014486497717
41	INTERMEDIATE DRIVE THRESHING MECHANISM FROM NO. 15900371	644418.1	1	AP1001212	4014486497717
41	AT HIGH - LOW SPEED RANGE TRANSMISSION FROM NO. 15900581	661429.0	1	AP1001212	4014486497717
41	AT N 500 - 1500 MIN-1	661430.0	1	AP1001229	4014486497830
44	FOR HPH - G CHOPPER	695610.0	1	No AP	
45	ROTOR DRIVE FROM NO. 15900371	680334.0	1	AP1001819	4014486488364
45	ROTOR DRIVE FROM NO. 15900371	680334.1	1	AP1001819	4014486488364
46	ROTARY SIEVE (FROM NR. 15900371)	661345.0	1	AP1000160	4014486461824
47	ROTARY SIEVE COUNTERSHAFT (FROM NR. 15900371)	661245.0	1	AP1003377	4014486461435
48	DISTRIBUTOR - N=531 RPM (FROM NR. 70910057)	501925.0	1	AP1003449	4014486465501
48	DISTRIBUTOR - N=531 RPM (TO NR. 70910056)	802931.0	1	AP1003456	4014486465945
49	FOR CHAFF SPREADER FROM NO. 70910057 AT 676 MIN-1	687046.1	1	AP1000323	4014486465471
49	FOR CHAFF SPREADER TO NO. 70910056 AT 676 MIN-1	750288.0	4	AP1000339	4014486520217
50	ALTERNATOR DRIVE (TO NR. 15900370)	133528.0	1	AP1002560	4014486495102
50	ALTERNATOR DRIVE (FROM NR. 15900371)	133640.0	1	AP1003746	4014486495928
51	WATERPUMP DRIVE (FROM NR. 15900370)	133630.1	2	AP1002961	4014486495058
52	RADIATOR CONCAVE SUCTION FROM NO. 15900371	644448.0	1	AP1000139	4014486461565
	SHAFTS DISTANCE 1463 MM	603017.2	2	AP1000833	4014486472592
	SHAFTS DISTANCE 1306 MM TO NO. 15900460	603430.1	2	AP1000823	4014486472493
	HYDRAULIC PUMP FROM NO. 15900371	633030.1	1	AP1000220	4014486462838
	TO NO. 15900150	633030.1	1	AP1000220	4014486462838



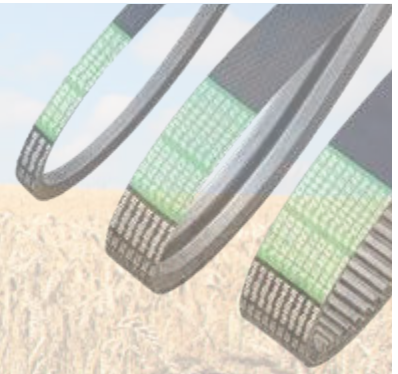
COMMANDOR 228 LEFT



COMMANDOR 228 MIDDLE



COMMANDOR 228 RIGHT



CLAAS

NR.	DRIVE	PART NUMBER	SET	AP NR.	EAN
	TO NO. 15900370	644017.1	1	AP1001236	4014486491906
	SHAFTS DISTANCE 1306 MM FROM NO. 15900461	644419.1	2	AP1000832	4014486472585
COMMANDOR 228					
0	CONVEYOR SHAFT 1463 MM	603017.0	2	AP1000833	4014486472592
0	HYDRAULIC PUMP DRIVE (FROM NR. 15900371)	633030.0	1	AP1000220	4014486462838
0	ROTARY SIEVE DRIVE (TO NR. 15900150)	633030.0	1	AP1000220	4014486462838
0	DISTRIBUTOR - N=676 RPM (TO NR. 70910056)	750288.1	4	AP1000339	4014486520217
1	TRAVEL DRIVE (TO NR. 15900370)	644017.0	1	AP1001236	4014486491906
1	TRAVEL DRIVE (TO NR. 15900370)	644017.1	1	AP1001236	4014486491906
1	TRAVEL DRIVE (FROM NR. 15900371)	661092.1	1	AP1001238	4014486491920
2	HYDRAULIC PUMP DRIVE (TO NR. 15900370)	629002.0	1	AP1003395	4014486462715
2	HYDRAULIC PUMP DRIVE (TO NR. 15900370)	629002.1	1	AP1003395	4014486462715
2	HYDRAULIC PUMP DRIVE (FROM NR. 15900371)	633030.2	1	AP1000220	4014486462838
3	AIR CONDITIONING COMPRESSOR DRIVE	629908.0	1	AP1002332	4014486478631
3	AIR CONDITIONING COMPRESSOR DRIVE	629908.1	1	AP1002332	4014486478631
4	TANK UNLOADING (TO NR. 15900370)	629763.0	1	AP1003593	4014486484977
4	TANK UNLOADING (FROM NR. 15900371)	661093.0	1	AP1001581	4014486484885
5	THRESHING CYLINDER (TO NR. 15900370)	644018.1	1	AP1001243	4014486491982
5	INTERMEDIATE DRIVE THRESHING MECHANISM FROM NO. 15900371	644403.0	1	AP1001247	4014486492033
6	COUNTERSHAFT - FAN DRIVE	603337.0	1	AP1000662	4014486470260
7	SHAKER SHOE DRIVE (TO NR. 15900370)	603336.0	1	AP1000478	4014486467499
7	SHAKER SHOE DRIVE (TO NR. 15900370)	603336.1	1	AP1000478	4014486467499
7	SHAKER SHOE DRIVE (FROM NR. 15900371)	644141.1	1	AP1000476	4014486467475
10	REEL DRIVE BY 5.1 M CUTTING TABLE	670224.1	1	AP1001158	4014486497380
12	CONVEYOR SHAFT 1463 MM	603017.3	2	AP1000833	4014486472592
12	CONVEYOR SHAFT 1306 MM (TO NR. 15900460)	603430.0	2	AP1000823	4014486472493
12	CONVEYOR SHAFT 1306 MM (FROM NR. 15900461)	644419.0	2	AP1000832	4014486472585
13	CUTTING TABLE DRIVE (MAIZE)	629142.0	1	AP1001954	4014486490596
13		692149.0	1	AP1001852	4014486488869
13	FOR MAIZE PICKER	692149.0	1	AP1001852	4014486488869
13	FOR MAIZE PICKER HINGED	692150.0	1	AP1001857	4014486488920
16	CUTTING MECHANICAL FROM 6.0 M CUTTING TABLE	671013.1	1	AP1000676	4014486470482
19	CUTTING MECHANICAL BY 5.1 M CUTTING TABLE	713506.0	1	AP1000315	4014486465310
19	CUTTING MECHANICAL BY 5.1 M CUTTING TABLE	713506.1	1	AP1000315	4014486465310
19	CUTTING MECHANICAL BY 5.1 M CUTTING TABLE	713506.2	1	AP1000315	4014486465310
21	FAN DRIVE VARIABLE SPEED	603380.0	1	AP1001080	4014486498240
22	SHAKER SHOE DRIVE	609762.0	1	AP1001713	4014486486919
23	FOR STRAW DISTRIBUTOR	506671.0	1	AP1000506	4014486467840
23	FOR STRAW DISTRIBUTOR	506671.1	1	AP1000506	4014486467840
23	FOR STRAW DISTRIBUTOR	506671.2	1	AP1000506	4014486467840
23	DISTRIBUTOR GRAIN	713506.0	1	AP1000315	4014486465310
23	DISTRIBUTOR GRAIN	713506.1	1	AP1000315	4014486465310
23	DISTRIBUTOR GRAIN	713506.2	1	AP1000315	4014486465310
24	STRAW DISTRIBUTOR	640653.1	1	AP1000350	4014486466065
25	8. SEPARATOR DRUM	644014.0	1	AP1002319	4014486480078
25	8. SEPARATOR DRUM	644014.1	1	AP1002319	4014486480078
26	SEPARATOR CYLINDER 3. 5. 6. AND 7	644015.1	1	AP1002913	4014486484601
27	SEPARATOR CYLINDER 4.	644016.1	1	AP1001800	4014486488104
28	COUNTERSHAFT - VARIATOR DRIVE	064168.0	1	AP1003635	4014486488753
28	COUNTERSHAFT - VARIATOR DRIVE	064168.1	1	AP1003635	4014486488753
28	COUNTERSHAFT - VARIATOR DRIVE	064168.2	1	AP1003635	4014486488753
31	ROTARY SIEVE DRIVE (TO NR. 15900370)	644267.0	1	AP1000243	4014486463613
32	ROTARY SIEVE COUNTERSHAFT NR. 15900151-15900370	233839.2	3	AP1000226	4014486463026
32	ROTARY SIEVE DRIVE (TO NR. 15900150)	633030.2	1	AP1000220	4014486462838
34	REEL DRIVE FROM 6.0 M CUTTING TABLE	670224.1	1	AP1001158	4014486497380
36	STRAW CHOPPER (GRAIN)	061701.1	1	AP1000790	4014486472066



CLAAS

NR.	DRIVE	PART NUMBER	SET	AP NR.	EAN
36	STRAW CHOPPER (GRAIN)	061701.2	1	AP1000790	4014486472066
36	STRAW CHOPPER (MAIZE)	061872.0	2	AP1002867	4014486471939
37	COUNTERSHAFT (2ND STAGE) - STRAW CHOPPER	061700.0	1	AP1003356	4014486486131
37	INTERMEDIATE DRIVE II CHOPPER	061700.1	1	AP1003356	4014486486131
38	COUNTERSHAFT - STRAW STRIPPER DRUM	603247.1	1	AP1003626	4014486488111
39	COUNTERSHAFT (PRIMARY) - STRAW CHOPPER	061700.0	1	AP1003356	4014486486131
40	1. AND 2. SEPARATOR CYLINDER	644014.0	1	AP1002319	4014486480078
40	1. AND 2. SEPARATOR CYLINDER	644014.1	1	AP1002319	4014486480078
41	CYLINDER N=650-1500 RPM (TO NR. 15900310)	628630.0	1	AP1001208	4014486497670
41	CYLINDER N=500-1400 RPM	644177.0	1	AP1001221	4014486497762
41	INTERMEDIATE DRIVE THRESHING MECHANISM FROM NO. 15900371	644418.0	1	AP1001212	4014486497717
41	INTERMEDIATE DRIVE THRESHING MECHANISM FROM NO. 15900371	644418.1	1	AP1001212	4014486497717
41	AT HIGH - LOW SPEED RANGE TRANSMISSION FROM NO. 15900581	661429.0	1	AP1001212	4014486497717
45	ROTOR DRIVE FROM NO. 15900371	680334.0	1	AP1001819	4014486488364
45	ROTOR DRIVE FROM NO. 15900371	680334.1	1	AP1001819	4014486488364
46	ROTARY SIEVE (FROM NR. 15900371)	661345.0	1	AP1000160	4014486461824
47	ROTARY SIEVE COUNTERSHAFT (FROM NR. 15900371)	661245.0	1	AP1003377	4014486461435
48	DISTRIBUTOR - N=531 RPM (FROM NR. 70910057)	501925.0	1	AP1003449	4014486465501
48	DISTRIBUTOR - N=531 RPM (TO NR. 70910056)	802931.0	1	AP1003456	4014486465945
49	DISTRIBUTOR - N=676 RPM (FROM NR. 70910057)	687046.0	1	AP1000323	4014486465471
49	FOR CHAFF SPREADER TO NO. 70910056 AT 676 MIN-1	750288.0	4	AP1000339	4014486520217
50	ALTERNATOR DRIVE (TO NR. 15900370)	133528.0	1	AP1002560	4014486495102
50	ALTERNATOR DRIVE (FROM NR. 15900371)	133640.0	1	AP1003746	4014486495928
51	WATERPUMP DRIVE (FROM NR. 15900370)	133630.0	2	AP1002961	4014486495058
51	WATERPUMP DRIVE (FROM NR. 15900370)	133630.1	2	AP1002961	4014486495058
	CONVEYOR SHAFT 1463 MM	603017.2	2	AP1000833	4014486472592
	FAN DRIVE VARIABLE SPEED	603380.1	1	AP1001080	4014486498240
	CONVEYOR SHAFT 1306 MM (TO NR. 15900460)	603430.1	2	AP1000823	4014486472493
	HYDRAULIC PUMP DRIVE (FROM NR. 15900371)	633030.1	1	AP1000220	4014486462838
	ROTARY SIEVE DRIVE (TO NR. 15900150)	633030.1	1	AP1000220	4014486462838
	CONVEYOR SHAFT 1306 MM (FROM NR. 15900461)	644419.1	2	AP1000832	4014486472585
	DISTRIBUTOR - N=676 RPM (FROM NR. 70910057)	687046.1	1	AP1000323	4014486465471

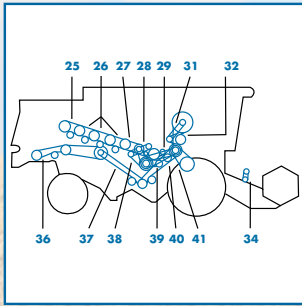
COMMANDOR 228 CS

0	INTERMEDIATE DRIVE VARIABLE SPEED DRIVE	064168.0	1	AP1003635	4014486488753
0	FOR STRAW SPREADER	506671.0	1	AP1000506	4014486467840
0	FOR STRAW SPREADER	506671.1	1	AP1000506	4014486467840
0	SHAFTS DISTANCE 1463 MM	603017.0	2	AP1000833	4014486472592
0	HYDRAULIC PUMP FROM NO. 15900371	633030.0	1	AP1000220	4014486462838
0	TO NO. 15900150	633030.0	1	AP1000220	4014486462838
0	AT 5.1 M CUTTERBAR	713506.0	1	AP1000315	4014486465310
0	FOR CHAFF SPREADER	713506.0	1	AP1000315	4014486465310
0	FOR CHAFF SPREADER TO NO. 70910056 AT 676 MIN-1	750288.1	4	AP1000339	4014486520217
1	TRAVEL DRIVE (TO NR. 15900370)	644017.0	1	AP1001236	4014486491906
1	TRAVEL DRIVE (FROM NR. 15900371)	661092.1	1	AP1001238	4014486491920
2	HYDRAULIC PUMP DRIVE (TO NR. 15900370)	629002.0	1	AP1003395	4014486462715
2	HYDRAULIC PUMP DRIVE (TO NR. 15900370)	629002.1	1	AP1003395	4014486462715
2	HYDRAULIC PUMP DRIVE (FROM NR. 15900371)	633030.2	1	AP1000220	4014486462838
3	AIR CONDITIONING COMPRESSOR DRIVE	629908.0	1	AP1002332	4014486478631
3	AIR CONDITIONING COMPRESSOR DRIVE	629908.1	1	AP1002332	4014486478631
4	TANK UNLOADING (TO NR. 15900370)	629763.0	1	AP1003593	4014486484977
4	TANK UNLOADING (FROM NR. 15900371)	661093.0	1	AP1001581	4014486484885
5	THRESHING CYLINDER (TO NR. 15900370)	644018.1	1	AP1001243	4014486491982
5	INTERMEDIATE DRIVE THRESHING MECHANISM FROM NO. 15900371	644403.0	1	AP1001247	4014486492033
6	COUNTERSHAFT - FAN DRIVE	603337.0	1	AP1000662	4014486470260
7	SHAKER SHOE DRIVE (TO NR. 15900370)	603336.0	1	AP1000478	4014486467499
7	SHAKER SHOE DRIVE (TO NR. 15900370)	603336.1	1	AP1000478	4014486467499

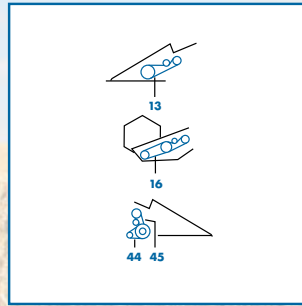


CLAAS

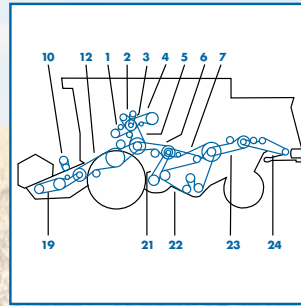
NR.	DRIVE	PART NUMBER	SET	AP NR.	EAN
7	SHAKER SHOE DRIVE (FROM NR. 15900371)	644141.1	1	AP1000476	4014486467475
10	AT 5.1 M CUTTERBAR	670224.1	1	AP1001158	4014486497380
12	SHAFTS DISTANCE 1463 MM	603017.3	2	AP1000833	4014486472592
12	CONVEYOR SHAFT 1306 MM (TO NR. 15900460)	603430.0	2	AP1000823	4014486472493
12	CONVEYOR SHAFT 1306 MM (FROM NR. 15900461)	644419.0	2	AP1000832	4014486472585
13	CORN PICKER FOLDING	629142.0	1	AP1001954	4014486490596
13	FOR CORN PICKER	692149.0	1	AP1001852	4014486488869
13	FOR CORN PICKER	692150.0	1	AP1001857	4014486488920
16	CUTTING MECHANICAL FROM 6.0 M CUTTING TABLE	671013.1	1	AP1000676	4014486470482
19	CUTTING MECHANICAL BY 5.1 M CUTTING TABLE	713506.0	1	AP1000315	4014486465310
19	CUTTING MECHANICAL BY 5.1 M CUTTING TABLE	713506.1	1	AP1000315	4014486465310
19	CUTTING MECHANICAL BY 5.1 M CUTTING TABLE	713506.2	1	AP1000315	4014486465310
21	FAN	603380.1	1	AP1001080	4014486498240
22	SHAKER SHOE DRIVE	609762.0	1	AP1001713	4014486486919
23	FOR STRAW DISTRIBUTOR	506671.2	1	AP1000506	4014486467840
23	DISTRIBUTOR GRAIN	713506.0	1	AP1000315	4014486465310
23	DISTRIBUTOR GRAIN	713506.1	1	AP1000315	4014486465310
23	DISTRIBUTOR GRAIN	713506.2	1	AP1000315	4014486465310
24	STRAW DISTRIBUTOR	640653.1	1	AP1000350	4014486466065
25	8. SEPARATOR DRUM	644014.0	1	AP1002319	4014486480078
25	8. SEPARATOR DRUM	644014.1	1	AP1002319	4014486480078
26	SEPARATOR CYLINDER 3. 5. 6. AND 7	644015.1	1	AP1002913	4014486484601
27	SEPARATOR CYLINDER 4.	644016.1	1	AP1001800	4014486488104
28	COUNTERSHAFT - VARIATOR DRIVE	064168.0	1	AP1003635	4014486488753
28	COUNTERSHAFT - VARIATOR DRIVE	064168.1	1	AP1003635	4014486488753
28	COUNTERSHAFT - VARIATOR DRIVE	064168.2	1	AP1003635	4014486488753
31	ROTARY SIEVE DRIVE (TO NR. 15900370)	644267.0	1	AP1000243	4014486463613
32	ROTARY SIEVE COUNTERSHAFT NR. 15900151-15900370	233839.2	3	AP1000226	4014486463026
32	ROTARY SIEVE DRIVE (TO NR. 15900150)	633030.2	1	AP1000220	4014486462838
34	REEL DRIVE FROM 6.0 M CUTTING TABLE	670224.1	1	AP1001158	4014486497380
36	STRAW CHOPPER (GRAIN)	061701.1	1	AP1000790	4014486472066
36	STRAW CHOPPER (GRAIN)	061701.2	1	AP1000790	4014486472066
36	CHOPPER, CORN	061872.0	2	AP1002867	4014486471939
38	COUNTERSHAFT - STRAW STRIPPER DRUM	603247.1	1	AP1003626	4014486488111
39	INTERMEDIATE DRIVE I CHOPPER	061700.1	1	AP1003356	4014486486131
40	1. AND 2. SEPARATOR CYLINDER	644014.0	1	AP1002319	4014486480078
40	1. AND 2. SEPARATOR CYLINDER	644014.1	1	AP1002319	4014486480078
41	CYLINDER N=650-1500 RPM (TO NR. 15900310)	628630.0	1	AP1001208	4014486497670
41	INTERMEDIATE DRIVE THRESHING MECHANISM FROM NO. 15900371	644418.0	1	AP1001212	4014486497717
41	INTERMEDIATE DRIVE THRESHING MECHANISM FROM NO. 15900371	644418.1	1	AP1001212	4014486497717
41	AT HIGH - LOW SPEED RANGE TRANSMISSION FROM NO. 15900581	661429.0	1	AP1001212	4014486497717
41	AT N 500 - 1500 MIN-1	661430.0	1	AP1001229	4014486497830
44	FOR HPH - G CHOPPER	695610.0	1	no AP	
45	ROTOR DRIVE FROM NO. 15900371	680334.0	1	AP1001819	4014486488364
45	ROTOR DRIVE FROM NO. 15900371	680334.1	1	AP1001819	4014486488364
46	ROTARY SIEVE (FROM NR. 15900371)	661345.0	1	AP1000160	4014486461824
47	ROTARY SIEVE COUNTERSHAFT (FROM NR. 15900371)	661245.0	1	AP1003377	4014486461435
48	DISTRIBUTOR - N=531 RPM (FROM NR. 70910057)	501925.0	1	AP1003449	4014486465501
48	DISTRIBUTOR - N=531 RPM (TO NR. 70910056)	802931.0	1	AP1003456	4014486465945
49	FOR CHAFF SPREADER FROM NO. 70910057 AT 676 MIN-1	687046.1	1	AP1000323	4014486465471
49	FOR CHAFF SPREADER TO NO. 70910056 AT 676 MIN-1	750288.0	4	AP1000339	4014486520217
50	ALTERNATOR DRIVE (TO NR. 15900370)	133528.0	1	AP1002560	4014486495102
50	ALTERNATOR DRIVE (FROM NR. 15900371)	133640.0	1	AP1003746	4014486495928
51	WATERPUMP DRIVE (FROM NR. 15900370)	133630.1	2	AP1002961	4014486495058
52	RADIATOR CONCAVE SUCTION FROM NO. 15900371	644448.0	1	AP1000139	4014486461565
	SHAFTS DISTANCE 1463 MM	603017.2	2	AP1000833	4014486472592
	SHAFTS DISTANCE 1306 MM TO NO. 15900460	603430.1	2	AP1000823	4014486472493



CONSUL LEFT



CONSUL MIDDLE



CONSUL RIGHT

CLAAS

NR.	DRIVE	PART NUMBER	SET	AP NR.	EAN
	HYDRAULIC PUMP FROM NO. 15900371	633030.1	1	AP1000220	4014486462838
	TO NO. 15900150	633030.1	1	AP1000220	4014486462838
	TO NO. 15900370	644017.1	1	AP1001236	4014486491906
	SHAFTS DISTANCE 1306 MM FROM NO. 15900461	644419.1	2	AP1000832	4014486472585

CONSUL

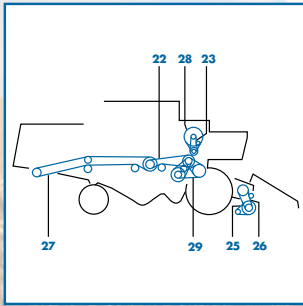
0	KNIFE DRIVE	778717.1	2	AP1004307	4014486714937
1	CUTTING TABLE DRIVE	702509.0	1	AP1001090	4014486496727
2	CYLINDER DRIVE	702536.0	1	AP1001200	4014486497564
3	REEL DRIVE VARIABLE SPEED	778561.0	1	AP1001038	4014486496376
4	KNIFE DRIVE	778717.0	2	AP1004307	4014486714937
5	SHAKER SHOE DRIVE	610830.0	2	AP1002789	4014486466249
6	TRACTION VARIATOR DRIVE	702536.0	1	AP1001200	4014486497564
7	COUNTERSHAFT DRIVE	703314.0	1	AP1000296	4014486464887
8	UNLOADING AUGER DRIVE	706087.0	1	AP1000365	4014486466263
9	STRAW SPREADER DRIVE	706829.0	1	AP1000524	4014486468045
10	HYDRAULIC PUMP DRIVE	713506.0	1	AP1000315	4014486465310
10	HYDRAULIC PUMP DRIVE	713506.1	1	AP1000315	4014486465310
10	HYDRAULIC PUMP DRIVE	713506.2	1	AP1000315	4014486465310
11	TRACTION DRIVE	720695.0	1	AP1000734	4014486471281
12	TURNING DRUM DRIVE	720696.0	1	AP1000467	4014486467383
12	TURNING DRUM DRIVE	720866.0	1	AP1003607	4014486485721
13	RADIATOR FAN DRIVE	721306.0	1	AP1002276	4014486478440
13	RADIATOR FAN DRIVE	721307.0	1	AP1002277	4014486478457
14	STRAW WALKER DRIVE	774099.0	1	AP1000511	4014486467895
15	FAN MILL VARIABLE SPEED	778561.0	1	AP1001038	4014486496376
	SHAKER SHOE DRIVE	610830.1	2	AP1002789	4014486466249
	TURNING DRUM DRIVE	720696.1	1	no AP	

CORTO 3100

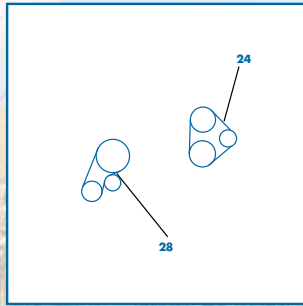
0		618123.0	1	AP1000284	4014486464641
---	--	----------	---	-----------	---------------

DOMINATOR 100

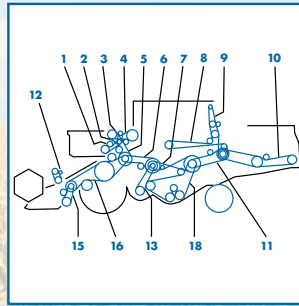
0	COUNTERSHAFT DRIVE	060306.2	1	AP1000723	4014486471151
0	COUNTERSHAFT DRIVE	060306.3	1	AP1000723	4014486471151
0	STRAW CHOPPER DRIVE	061253.1	1	AP1000873	4014486473131
0	ELEVATOR DRIVE UNIT	629732.2	1	AP1000417	4014486520507
0	DRIVE GRAIN TANK	673614.1	1	AP1001566	4014486484694
1	REEL DRIVE VARIABLE SPEED	670224.0	1	AP1001158	4014486497380
2	CUTTING TABLE DRIVE	672353.0	2	AP1000809	4014486472325
3	THRESHING MACHINE	629000.0	1	AP1003661	4014486490657
4	HYDRAULIC PUMP TRACTION DRIVE	629001.0	1	AP1001934	4014486490305
5	HYDRAULIC PUMP DRIVE	629002.0	1	AP1003395	4014486462715
5	HYDRAULIC PUMP DRIVE	629002.1	1	AP1003395	4014486462715
6	DRIVE GRAIN TANK	673614.0	1	AP1001566	4014486484694
7	SHAKER SHOE FANNING MILL	672358.0	1	AP1000662	4014486470260
8	STRAW WALKER DRIVE	629036.0	1	AP1000515	4014486467949
9	KNIFE DRIVE	629214.0	1	AP1002317	4014486480054
9	KNIFE DRIVE	769202.0	1	AP1005143	4044978203458
9	KNIFE DRIVE	769202.1	1	AP1005143	4044978203458
10	FAN DRIVE VARIABLE SPEED	671209.0	1	AP1001039	4014486496383
12	AUGER (GRAIN)	629081.0	1	AP1000755	4014486471557
12	AUGER (GRAIN)	629081.1	1	AP1000755	4014486471557
13	ELEVATOR DRIVE UNIT	629732.0	1	AP1000415	4014486466782
14	FEEDER ELEVATOR	501925.0	1	AP1003449	4014486465501
15	COUNTERSHAFT DRIVE	060306.0	1	AP1000723	4014486471151
16	AIR INTAKE DRIVE	802931.0	1	AP1003456	4014486465945



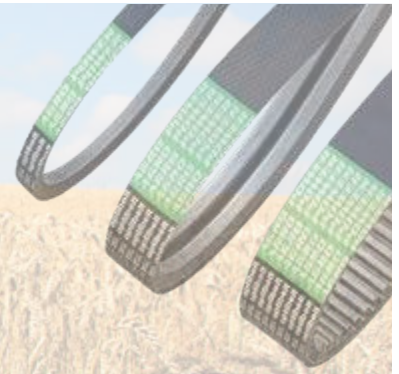
DOMINATOR 106 LEFT



DOMINATOR 106 MIDDLE

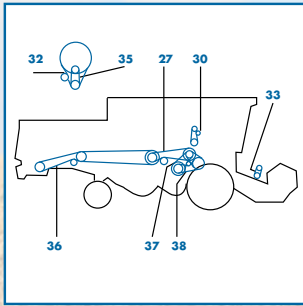


DOMINATOR 106 RIGHT

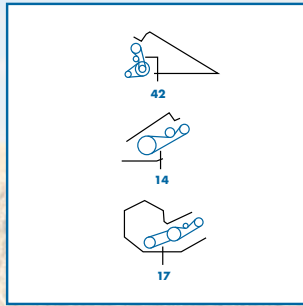


CLAAS

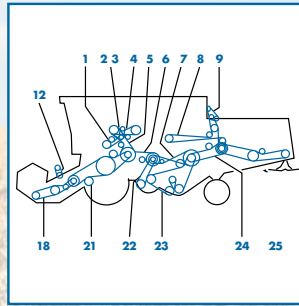
NR.	DRIVE	PART NUMBER	SET	AP NR.	EAN
17	STRAW CHOPPER DRIVE	061253.0	1	AP1000873	4014486473131
18	CYLINDER VARIATOR DRIVE	629035.0	1	AP1001289	4014486520545
19	THRESHING MACHINE	629510.0	1	AP1003634	4014486488623
19	THRESHING MACHINE	629510.1	1	AP1003634	4014486488623
	THRESHING MACHINE	629000.1	1	AP1003661	4014486490657
	HYDRAULIC PUMP TRACTION DRIVE	629001.1	1	AP1001934	4014486490305
	KNIFE DRIVE	629214.1	1	AP1002317	4014486480054
	ELEVATOR DRIVE UNIT	629732.1	1	AP1000416	4014486466799
	REEL DRIVE VARIABLE SPEED	670224.1	1	AP1001158	4014486497380
DOMINATOR 105					
0	COUNTERSHAFT DRIVE	060306.2	1	AP1000723	4014486471151
0	COUNTERSHAFT DRIVE	060306.3	1	AP1000723	4014486471151
0	STRAW CHOPPER DRIVE	061253.1	1	AP1000873	4014486473131
0	ELEVATOR DRIVE UNIT	629732.2	1	AP1000417	4014486520507
0	DRIVE GRAIN TANK	673614.1	1	AP1001566	4014486484694
1	REEL DRIVE VARIABLE SPEED	670224.0	1	AP1001158	4014486497380
2	CUTTING TABLE DRIVE	672353.0	2	AP1000809	4014486472325
3	THRESHING MACHINE	629000.0	1	AP1003661	4014486490657
4	HYDRAULIC PUMP TRACTION DRIVE	629001.0	1	AP1001934	4014486490305
5	HYDRAULIC PUMP DRIVE	629002.0	1	AP1003395	4014486462715
5	HYDRAULIC PUMP DRIVE	629002.1	1	AP1003395	4014486462715
6	DRIVE GRAIN TANK	673614.0	1	AP1001566	4014486484694
7	SHAKER SHOE FANNING MILL	672358.0	1	AP1000662	4014486470260
8	STRAW WALKER DRIVE	629036.0	1	AP1000515	4014486467949
9	KNIFE DRIVE	629214.0	1	AP1002317	4014486480054
9	KNIFE DRIVE	769202.0	1	AP1005143	4044978203458
9	KNIFE DRIVE	769202.1	1	AP1005143	4044978203458
10	FAN DRIVE VARIABLE SPEED	671209.0	1	AP1001039	4014486496383
12	AUGER (GRAIN)	629081.0	1	AP1000755	4014486471557
12	AUGER (GRAIN)	629081.1	1	AP1000755	4014486471557
13	ELEVATOR DRIVE UNIT	629732.0	1	AP1000415	4014486466782
14	FEEDER ELEVATOR	501925.0	1	AP1003449	4014486465501
15	COUNTERSHAFT DRIVE	060306.0	1	AP1000723	4014486471151
16	AIR INTAKE DRIVE	802931.0	1	AP1003456	4014486465945
17	STRAW CHOPPER DRIVE	061253.0	1	AP1000873	4014486473131
18	CYLINDER VARIATOR DRIVE	629035.0	1	AP1001289	4014486520545
19	THRESHING MACHINE	629510.0	1	AP1003634	4014486488623
19	THRESHING MACHINE	629510.1	1	AP1003634	4014486488623
	THRESHING MACHINE	629000.1	1	AP1003661	4014486490657
	HYDRAULIC PUMP TRACTION DRIVE	629001.1	1	AP1001934	4014486490305
	KNIFE DRIVE	629214.1	1	AP1002317	4014486480054
	ELEVATOR DRIVE UNIT	629732.1	1	AP1000416	4014486466799
	REEL DRIVE VARIABLE SPEED	670224.1	1	AP1001158	4014486497380
DOMINATOR 106					
0	COUNTERSHAFT DRIVE	060306.3	1	AP1000723	4014486471151
0	COUNTERSHAFT DRIVE	060306.4	1	AP1000723	4014486471151
0	ELEVATOR DRIVE UNIT	629732.0	1	AP1000415	4014486466782
0	GRAIN TANK (OM 360)	673614.1	1	AP1001566	4014486484694
1	HYDRAULIC PUMP DRIVE (OM 360)	629001.0	1	AP1001934	4014486490305
1	MAIN (OM 401)	629279.0	1	AP1001936	4014486490336
2	OM 360	603378.0	1	AP1003389	4014486462517
2	OM 401	689175.0	1	AP1003391	4014486462654
3		621903.0	1	AP1002041	4014486475166
3		621903.1	1	AP1002041	4014486475166
4	GRAIN TANK (OM 401)	672351.0	1	AP1001570	4014486484731



DOMINATOR 108 HYDR LEFT



DOMINATOR 108 HYDR MIDDLE



DOMINATOR 108 HYDR RIGHT

CLAAS

NR.	DRIVE	PART NUMBER	SET	AP NR.	EAN
4	GRAIN TANK (OM 360)	673614.0	1	AP1001566	4014486484694
5	MAIN/DRUM	629000.0	1	AP1003661	4014486490657
6		603337.0	1	AP1000662	4014486470260
7	RETURN AUGER DRIVE	603336.0	1	AP1000478	4014486467499
7	RETURN AUGER DRIVE	603336.1	1	AP1000478	4014486467499
8	ELEVATOR DRIVE UNIT	629732.1	1	AP1000416	4014486466799
9		640653.0	1	AP1000350	4014486466065
10		623427.1	1	AP1000409	4014486466720
11	STRAW WALKER DRIVE	506671.0	1	AP1000506	4014486467840
11	STRAW WALKER DRIVE	506671.1	1	AP1000506	4014486467840
11	STRAW WALKER DRIVE	506671.2	1	AP1000506	4014486467840
12	REEL DRIVE VARIABLE SPEED	670224.0	1	AP1001158	4014486497380
13		603380.0	1	AP1001080	4014486498240
15	KNIFE DRIVE	629214.0	1	AP1002317	4014486480054
16	TABLE DRIVE	629441.0	2	AP1000810	4014486472332
18	SIEVE PAN (TO NR. 9000438)	603033.0	1	AP1003619	4014486486933
18	SIEVE PAN (FROM NR. 9000439)	609762.0	1	AP1001713	4014486486919
22	COUNTERSHAFT DRIVE	060306.2	1	AP1000723	4014486471151
23		603341.0	1	AP1003328	4014486463217
24	ENGINE (OM 401)	133528.0	1	AP1002560	4014486495102
24	ENGINE (OM 401)	133549.0	2	AP1003727	4014486495164
24	ENGINE (OM 401)	133549.1	2	AP1003727	4014486495164
24	ENGINE (OM 360)	685693.0	2	AP1003773	4014486495065
25		629410.0	2	AP1002872	4014486468441
26		680334.0	1	AP1001819	4014486488364
26		680334.1	1	AP1001819	4014486488364
27	STRAW CHOPPER DRIVE	061360.0	1	AP1000870	4014486473094
27	STRAW CHOPPER DRIVE	061360.1	1	AP1000870	4014486473094
28	DRUM DRIVE	629035.0	1	AP1001289	4014486520545
28	DRUM DRIVE	629366.1	1	AP1001821	4014486488395
29	CYLINDER	603354.0	1	AP1001844	4014486488739
		603380.1	1	AP1001080	4014486498240
	MAIN/DRUM	629000.1	1	AP1003661	4014486490657
	HYDRAULIC PUMP DRIVE (OM 360)	629001.1	1	AP1001934	4014486490305
	KNIFE DRIVE	629214.1	1	AP1002317	4014486480054
		629410.1	2	AP1002872	4014486468441
	TABLE DRIVE	629441.1	2	AP1000810	4014486472332
	ELEVATOR DRIVE UNIT	629732.2	1	AP1000417	4014486520507
		640653.1	1	AP1000350	4014486466065
	REEL DRIVE VARIABLE SPEED	670224.1	1	AP1001158	4014486497380

DOMINATOR 108 HYDR

0	STRAW CHOPPER DRIVE	060306.2	1	AP1000723	4014486471151
0	STRAW CHOPPER DRIVE	060306.3	1	AP1000723	4014486471151
0	SHAFT 1463 MM (TO NR. 09404032)	603017.3	2	AP1000833	4014486472592
0	TO NR. 09404032	629732.2	1	AP1000417	4014486520507
0	VAR. 7693 / VAR. 7716	661220.0	1	AP1003340	4014486488807
0		661220.1	1	AP1003340	4014486488807
1	FOR MERCEDES ENGINE OM 421	629279.0	1	AP1001936	4014486490336
1	FOR MERCEDES ENGINE OM 366 LA	644405.1	1	AP1001941	4014486490411
1	FOR MERCEDES ENGINE OM 366 LA	644405.2	1	AP1001941	4014486490411
1	FOR MERCEDES ENGINE OM 441 A	661092.1	1	AP1001238	4014486491920
2		689175.0	1	AP1003391	4014486462654
3		629908.0	1	AP1002332	4014486478631
3		629908.1	1	AP1002332	4014486478631
3	FOR VAR. 7705	661114.0	1	AP1002336	4014486478686
4	TO NR. 09403057	629763.0	1	AP1003593	4014486484977



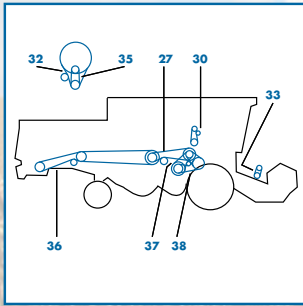
CLAAS

NR.	DRIVE	PART NUMBER	SET	AP NR.	EAN
4	FOR VAR. 7605	660409.0	1	AP1001575	4014486484809
4	FOR VAR. 7705	661093.0	1	AP1001581	4014486484885
5	TO NR. 09403057	629000.0	1	AP1003661	4014486490657
5	FROM NR. 09403058	644404.0	1	AP1003354	4014486490763
5	FROM NR. 09403058	644404.1	1	AP1003354	4014486490763
6		603337.0	1	AP1000662	4014486470260
7		603336.0	1	AP1000478	4014486467499
7		603336.1	1	AP1000478	4014486467499
8	TO NR. 09404032	629732.0	1	AP1000415	4014486466782
8	FROM NR. 09404033	644447.0	1	AP1000420	4014486466836
9	NOT AT SERIES MAXI	640653.0	1	AP1000350	4014486466065
12	FOR 3.9 M - 5.1 M	670224.0	1	AP1001158	4014486497380
12	FOR 3.9 M - 5.1 M	670224.1	1	AP1001158	4014486497380
14	FOR MAIZE PICKER	692149.0	1	AP1001852	4014486488869
14	FOR MAIZE PICKER	692150.0	1	AP1001857	4014486488920
17	FOR 6.0 M - 9.0 M	671013.0	1	AP1000674	4014486470468
17	FOR 6.0 M - 9.0 M	671013.1	1	AP1000674	4014486470482
19	STRAW WALKER DRIVE	713506.0	1	AP1000315	4014486465310
19	STRAW WALKER DRIVE	713506.1	1	AP1000315	4014486465310
19	STRAW WALKER DRIVE	713506.2	1	AP1000315	4014486465310
21	SHAFT 1463 MM (TO NR. 09404032)	603017.0	2	AP1000833	4014486472592
21	SHAFT 1306 MM (TO NR. 09404032)	603430.0	2	AP1000823	4014486472493
21	SHAFT BASE 1177 MM	629441.0	2	AP1000810	4014486472332
21	SHAFT 1306 MM (FROM NR. 09404033)	644419.0	2	AP1000832	4014486472585
21	SHAFT 1463 MM (FROM NR. 0940433)	661301.0	2	AP1000840	4014486472684
21	SHAFT 1463 MM (FROM NR. 0940433)	661301.1	2	AP1000840	4014486472684
22	COUNTERSHAFT DRIVE	603380.0	1	AP1001080	4014486498240
23		609762.0	1	AP1001713	4014486486919
24		506671.0	1	AP1000506	4014486467840
24		506671.1	1	AP1000506	4014486467840
24		506671.2	1	AP1000506	4014486467840
25		623427.0	1	AP1000410	4014486466737
27	STRAW CHOPPER DRIVE	060306.0	1	AP1000723	4014486471151
30		603341.0	1	AP1003328	4014486463217
30		783430.0	1	AP1000238	4014486463422
30		783430.1	1	AP1000238	4014486463422
32	FROM NR. 09405335	661345.0	1	AP1000160	4014486461824
32	FOR RABA - ENGINE	783876.0	1	AP1002091	4014486475845
32	TO NR. 09405334	821734.2	1	AP1000154	4014486461763
33	FOR 6.0 M - 9.0 M	670224.0	1	AP1001158	4014486497380
33	FOR 6.0 M - 9.0 M	670224.1	1	AP1001158	4014486497380
35	FOR RABA - ENGINE	629764.0	1	AP1000097	4014486460964
35	FOR OM 366 LA	657793.0	1	AP1000107	4014486461114
35	FOR OM 366 LA	661244.0	1	AP1000125	4014486461374
35	FOR MERCEDES ENGINE OM 441 A	661245.0	1	AP1003377	4014486461435
36	CHOPPER DRIVE (MAIZE)	061214.0	1	AP1000868	4014486473070
36	CHOPPER DRIVE (GRAIN) (FROM NR. 09403058)	061353.0	1	AP1000870	4014486473094
36	CHOPPER DRIVE (GRAIN) (FROM NR. 09403058)	061353.1	1	AP1000870	4014486473094
36	CHOPPER DRIVE (GRAIN) (TO NR. 09403057)	061360.0	1	AP1000870	4014486473094
36	CHOPPER DRIVE (GRAIN) (TO NR. 09403057)	061360.1	1	AP1000870	4014486473094
37	FROM NR. 09403058	609823.0	1	AP1001225	4014486497809
37	TO NR. 09403057	629035.0	1	AP1001289	4014486520545
38	FOR N=650-1500 RPM	603354.0	1	AP1001844	4014486488739
38	FOR N=510-1220 RPM	629510.0	1	AP1003634	4014486488623
38	FOR N=510-1220 RPM	629510.1	1	AP1003634	4014486488623
38	VAR. 7818	661298.0	1	AP1001630	4014486485738
41		695610.0	1	no AP	

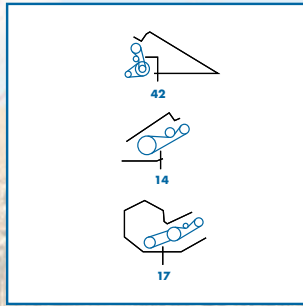


CLAAS

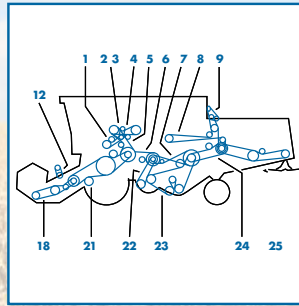
NR.	DRIVE	PART NUMBER	SET	AP NR.	EAN
42		680334.0	1	AP1001819	4014486488364
42		680334.1	1	AP1001819	4014486488364
43	FOR AIR EXHAUST	644448.0	1	AP1000139	4014486461565
	SHAFT 1463 MM (TO NR. 09404032)	603017.2	2	AP1000833	4014486472592
	COUNTERSHAFT DRIVE	603380.1	1	AP1001080	4014486498240
	SHAFT 1306 MM (TO NR. 09404032)	603430.1	2	AP1000823	4014486472493
		623427.1	1	AP1000409	4014486466720
	TO NR. 09403057	629000.1	1	AP1003661	4014486490657
	SHAFT BASE 1177 MM	629441.1	2	AP1000810	4014486472332
	TO NR. 09404032	629732.1	1	AP1000416	4014486466799
	NOT AT SERIES MAXI	640653.1	1	AP1000350	4014486466065
	SHAFT 1306 MM (FROM NR. 09404033)	644419.1	2	AP1000832	4014486472585
DOMINATOR 108 MECH					
0	COUNTERSHAFT DRIVE	060306.2	1	AP1000723	4014486471151
0	COUNTERSHAFT DRIVE	060306.3	1	AP1000723	4014486471151
0	ELEVATOR DRIVE UNIT	629732.2	1	AP1000417	4014486520507
1		689175.0	1	AP1003391	4014486462654
2		629908.0	1	AP1002332	4014486478631
2		629908.1	1	AP1002332	4014486478631
3		629769.0	1	AP1002699	4014486484922
3		629769.1	1	AP1002699	4014486484922
4	MAIN/DRUM	629000.0	1	AP1003661	4014486490657
5		603337.0	1	AP1000662	4014486470260
6	RETURN AUGER DRIVE	603336.0	1	AP1000478	4014486467499
6	RETURN AUGER DRIVE	603336.1	1	AP1000478	4014486467499
7	ELEVATOR DRIVE UNIT	629732.0	1	AP1000415	4014486466782
7	FROM NR. 09404033	644447.0	1	AP1000420	4014486466836
8		640653.0	1	AP1000350	4014486466065
11	FOR 3.9 M - 5.1 M	670224.0	1	AP1001158	4014486497380
12	FOR 3.9 M - 5.1 M	670224.1	1	AP1001158	4014486497380
13	FOR MAIZE PICKER	692149.0	1	AP1001852	4014486488869
13	FOR MAIZE PICKER	692150.0	1	AP1001857	4014486488920
16	FOR 6.0 M - 9.0 M	671013.0	1	AP1000674	4014486470468
17	FOR 6.0 M - 9.0 M	671013.1	1	AP1000676	4014486470482
18	FOR 3.9 M - 5.1 M	713506.0	1	AP1000315	4014486465310
18	FOR 3.9 M - 5.1 M	713506.1	1	AP1000315	4014486465310
18	FOR 3.9 M - 5.1 M	713506.2	1	AP1000315	4014486465310
20	SHAFT 1306 MM	603290.0		AP1000764	4014486471670
20	SHAFT BASE 1177 MM	629836.0	1	AP1000746	4014486471427
21	TABLE CLUTCH	673638.0	1	AP1001099	4014486496819
22		609822.0	1	AP1004575	4014486717662
23		609823.0	1	AP1001225	4014486497809
24		603380.0	1	AP1001080	4014486498240
24		661220.0	1	AP1003340	4014486488807
25		609762.0	1	AP1001713	4014486486919
26		506671.0	1	AP1000506	4014486467840
26		506671.1	1	AP1000506	4014486467840
26		506671.2	1	AP1000506	4014486467840
27		623427.0	1	AP1000410	4014486466737
29	COUNTERSHAFT DRIVE	060306.0	1	AP1000723	4014486471151
32	TO NR. 09400750	603341.0	1	AP1003328	4014486463217
32	FROM NR. 09400751	783430.0	1	AP1000238	4014486463422
32	FROM NR. 09400751	783430.1	1	AP1000238	4014486463422
33	FOR 6.0 M - 9.0 M	670224.1	1	AP1001158	4014486497380
34	FOR 6.0 M - 9.0 M	670224.0	1	AP1001158	4014486497380
36	CHOPPER DRIVE (MAIZE)	061214.0	1	AP1000868	4014486473070



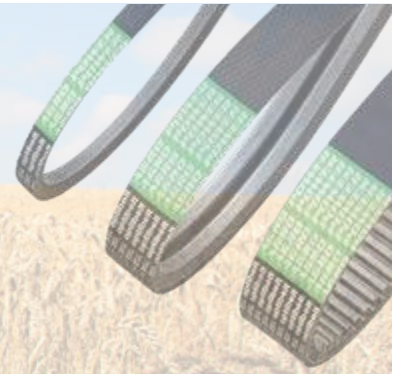
DOMINATOR 108 VX LEFT



DOMINATOR 108 VX MIDDLE

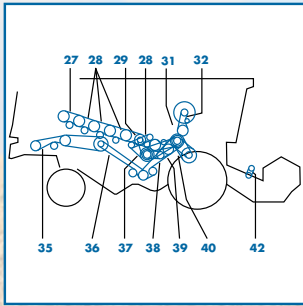


DOMINATOR 108 VX RIGHT

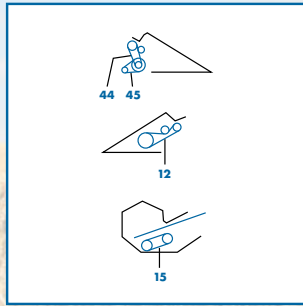


CLAAS

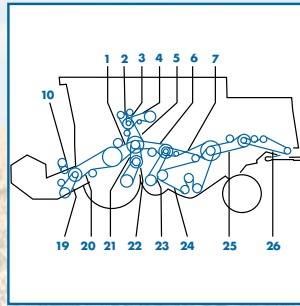
NR.	DRIVE	PART NUMBER	SET	AP NR.	EAN
36	CHOPPER DRIVE (GRAIN) (FROM NR. 09403058)	061353.0	1	AP1000870	4014486473094
36	CHOPPER DRIVE (GRAIN) (FROM NR. 09403058)	061353.1	1	AP1000870	4014486473094
36	CHOPPER DRIVE (GRAIN) (TO NR. 09403057)	061360.0	1	AP1000870	4014486473094
36	CHOPPER DRIVE (GRAIN) (TO NR. 09403057)	061360.1	1	AP1000870	4014486473094
37		628630.0	1	AP1001208	4014486497670
40		695610.0	1	no AP	
41		680334.0	1	AP1001819	4014486488364
41		680334.1	1	AP1001819	4014486488364
		603380.1	1	AP1001080	4014486498240
		623427.1	1	AP1000409	4014486466720
	MAIN/DRUM	629000.1	1	AP1003661	4014486490657
	ELEVATOR DRIVE UNIT	629732.1	1	AP1000416	4014486466799
	SHAFT BASE 1177 MM	629836.1	2	AP1003819	4014486518870
		640653.1	1	AP1000350	4014486466065
	FOR TWO-STAGE DRIVE	661220.1	1	AP1003340	4014486488807
	TABLE CLUTCH	673638.1	1	AP1001099	4014486496819
DOMINATOR 108 VX					
0		060306.2	1	AP1000723	4014486471151
0		060306.4	1	AP1000723	4014486471151
0		506671.0	1	AP1000506	4014486467840
0		506671.1	1	AP1000506	4014486467840
0		755070.0	2	AP1002795	4014486463279
0		755070.2	2	AP1002795	4014486463279
1		544049.0	1	AP1001939	4014486490367
2		767057.1	1	AP1003333	4014486462609
3		629908.0	1	AP1002332	4014486478631
3		629908.1	1	AP1002332	4014486478631
4		660409.0	1	AP1001575	4014486484809
5		644404.0	1	AP1003354	4014486490763
5		644404.1	1	AP1003354	4014486490763
6		603337.0	1	AP1000662	4014486470260
7		644141.1	1	AP1000476	4014486467475
8		644447.0	1	AP1000420	4014486466836
9		623427.1	1	AP1000409	4014486466720
10		755070.1	2	AP1002795	4014486463279
11		066034.0	1	AP1000302	4014486465037
11		785341.0	1	AP1000295	4014486464870
12		661337.0	2	AP1000845	4014486472745
12		661337.1	2	AP1000845	4014486472745
13		061214.0	1	AP1000868	4014486473070
13		061353.0	1	AP1000870	4014486473094
13		061353.1	1	AP1000870	4014486473094
14		603380.1	1	AP1001080	4014486498240
15		609762.0	1	AP1001713	4014486486919
17		060306.3	1	AP1000723	4014486471151
19		506671.2	1	AP1000506	4014486467840
20		661345.0	1	AP1000160	4014486461824
21	MERCEDES ENGINE OM 366L	661244.0	1	AP1000125	4014486461374
21	MERCEDES ENGINE OM 441	661245.0	1	AP1003377	4014486461435
22		644448.0	1	AP1000139	4014486461565
23		609823.0	1	AP1001225	4014486497809
24		661220.1	1	AP1003340	4014486488807
24		661298.0	1	AP1001630	4014486485738
		544049.1	2	AP1001561	4014486484618



DOMINATOR 112 LEFT



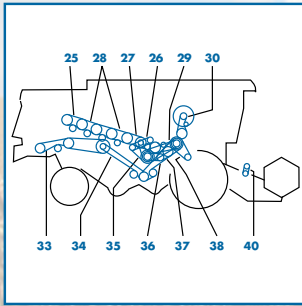
DOMINATOR 112 MIDDLE



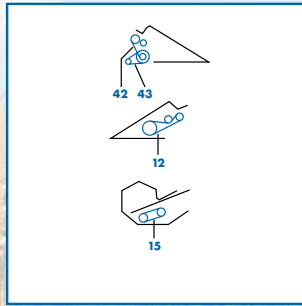
DOMINATOR 112 RIGHT

CLAAS

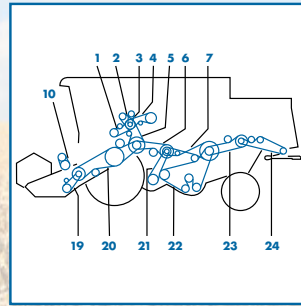
NR.	DRIVE	PART NUMBER	SET	AP NR.	EAN
DOMINATOR 112					
0	FOR STRAW CHOPPER	061700.1	1	AP1003356	4014486486131
0	FOR SOJA CUTTING TABLE	644209.2	1	AP1004843	4014486715668
1		673638.1	1	AP1001099	4014486496819
2		689175.0	1	AP1003391	4014486462654
3		629908.0	1	AP1002332	4014486478631
3		629908.1	1	AP1002332	4014486478631
4		629769.0	1	AP1002699	4014486484922
4		629769.1	1	AP1002699	4014486484922
5		629000.0	1	AP1003661	4014486490657
6		603337.0	1	AP1000662	4014486470260
7		644141.0	1	AP1000476	4014486467475
7		644141.1	1	AP1000476	4014486467475
12	FOR MAIZE PICKER	692149.0	1	AP1001852	4014486488869
12	FOR MAIZE PICKER	692150.0	1	AP1001857	4014486488920
15	FOR SOJA CUTTING TABLE	644209.0	1	AP1000699	4014486470826
15	FOR SOJA CUTTING TABLE	644209.1	1	AP1004843	4014486715668
15	FROM 6.0 M CUTTING TABLE	671013.1	1	AP1000676	4014486470482
19	TO 5.1 M CUTTING TABLE	629214.1	1	AP1002317	4014486480054
20		629836.0	1	AP1000746	4014486471427
21		609822.0	1	AP1004575	4014486717662
22		609823.0	1	AP1001225	4014486497809
23		603380.0	1	AP1001080	4014486498240
24		609762.0	1	AP1001713	4014486486919
25		506671.0	1	AP1000506	4014486467840
25		506671.1	1	AP1000506	4014486467840
25		506671.2	1	AP1000506	4014486467840
26		640653.1	1	AP1000350	4014486466065
27		644014.0	1	AP1002319	4014486480078
27		644014.1	1	AP1002319	4014486480078
28		644015.0	1	AP1002913	4014486484601
29		644016.1	1	AP1001800	4014486488104
31		064168.0	1	AP1003635	4014486488753
31		064168.1	1	AP1003635	4014486488753
31		064168.2	1	AP1003635	4014486488753
35	FOR GRAIN	061701.1	1	AP1000790	4014486472066
35	FOR GRAIN	061701.2	1	AP1000790	4014486472066
35	FOR MAIZE	061872.0	2	AP1002867	4014486471939
36	FOR STRAW CHOPPER	061700.0	1	AP1003356	4014486486131
37		603247.1	1	AP1003626	4014486488111
38		061700.0	1	AP1003356	4014486486131
40	CYLINDER N=650-1500 RPM	603015.1	1	AP1001503	4014486460186
40	CYLINDER N=500-1400 RPM	644177.0	1	AP1001221	4014486497762
42	FROM 6.0 M CUTTING TABLE	670224.0	1	AP1001158	4014486497380
44		680334.0	1	AP1001819	4014486488364
44		680334.1	1	AP1001819	4014486488364
45		629410.0	2	AP1002872	4014486468441
		603380.1	1	AP1001080	4014486498240
		629000.1	1	AP1003661	4014486490657
		629410.1	2	AP1002872	4014486468441
		629836.1	2	AP1003819	4014486518870
		644015.1	1	AP1002913	4014486484601
	FROM 6.0 M CUTTING TABLE	670224.1	1	AP1001158	4014486497380



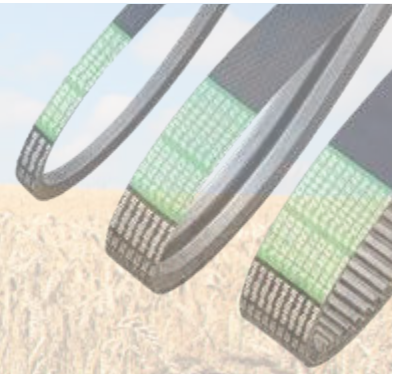
DOMINATOR 114 LEFT



DOMINATOR 114 MIDDLE

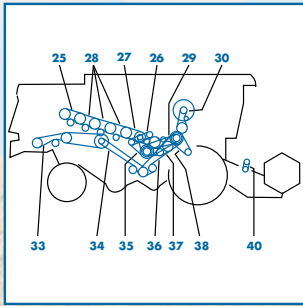


DOMINATOR 114 RIGHT

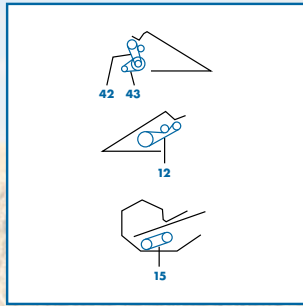


CLAAS

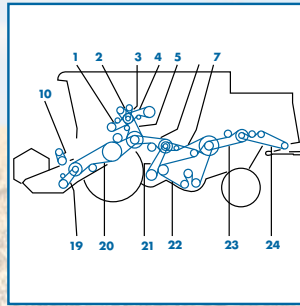
NR.	DRIVE	PART NUMBER	SET	AP NR.	EAN
DOMINATOR 114					
0	FOR STRAW CHOPPER	061700.1	1	AP1003356	4014486486131
0		603017.0	2	AP1000833	4014486472592
0	FOR SOJA CUTTING TABLE	644209.2	1	AP1004843	4014486715668
1		629279.0	1	AP1001936	4014486490336
2		629002.0	1	AP1003395	4014486462715
2		629002.1	1	AP1003395	4014486462715
3	TO NR. 14200046	621903.0	1	AP1002041	4014486475166
3	TO NR. 14200046	621903.1	1	AP1002041	4014486475166
3	FROM NR. 14200047	629908.0	1	AP1002332	4014486478631
3	FROM NR. 14200047	629908.1	1	AP1002332	4014486478631
4		629763.0	1	AP1003593	4014486484977
5		629000.0	1	AP1003661	4014486490657
6		603337.0	1	AP1000662	4014486470260
7		644141.0	1	AP1000476	4014486467475
7		644141.1	1	AP1000476	4014486467475
10	TO 5.7 M CUTTING TABLE	670224.0	1	AP1001158	4014486497380
12	FOR MAIZE PICKER	692149.0	1	AP1001852	4014486488869
12	FOR MAIZE PICKER	692150.0	1	AP1001857	4014486488920
15	FOR SOJA CUTTING TABLE	644209.0	1	AP1000699	4014486470826
15	FOR SOJA CUTTING TABLE	644209.1	1	AP1004843	4014486715668
15	FROM 6.0 M CUTTING TABLE	671013.1	1	AP1000676	4014486470482
19	TO 5.7 M CUTTING TABLE	629214.1	1	AP1002317	4014486480054
20		603017.3	2	AP1000833	4014486472592
21		603380.0	1	AP1001080	4014486498240
22		609762.0	1	AP1001713	4014486486919
23	FOR STRAW DISTRIBUTOR	506671.0	1	AP1000506	4014486467840
23	FOR STRAW DISTRIBUTOR	506671.1	1	AP1000506	4014486467840
23	FOR STRAW DISTRIBUTOR	506671.2	1	AP1000506	4014486467840
24	FOR STRAW DISTRIBUTOR	640653.1	1	AP1000350	4014486466065
26		644015.1	1	AP1002913	4014486484601
27		644016.1	1	AP1001800	4014486488104
29		064168.0	1	AP1003635	4014486488753
29		064168.1	1	AP1003635	4014486488753
29		064168.2	1	AP1003635	4014486488753
30	FROM NR. 14200177	233843.1	1	AP1000237	4014486463408
30	TO NR. 14200176	603341.0	1	AP1003328	4014486463217
33	FOR GRAIN	061701.1	1	AP1000790	4014486472066
33	FOR GRAIN	061701.2	1	AP1000790	4014486472066
33	FOR MAIZE	061872.0	2	AP1002867	4014486471939
34	FOR STRAW CHOPPER	061700.0	1	AP1003356	4014486486131
35		603247.1	1	AP1003626	4014486488111
36		061700.0	1	AP1003356	4014486486131
37		644014.0	1	AP1002319	4014486480078
38	CYLINDER N=650-1500 RPM	603015.1	1	AP1001503	4014486460186
38	CYLINDER N=500-1400 RPM	644177.0	1	AP1001221	4014486497762
40	FROM 6.0 M CUTTING TABLE	670224.0	1	AP1001158	4014486497380
42		680334.0	1	AP1001819	4014486488364
42		680334.1	1	AP1001819	4014486488364
43		629410.0	2	AP1002872	4014486468441
		603017.2	2	AP1000833	4014486472592
		603380.1	1	AP1001080	4014486498240
		629000.1	1	AP1003661	4014486490657
		629410.1	2	AP1002872	4014486468441
		644014.1	1	AP1002319	4014486480078
	FROM 6.0 M CUTTING TABLE	670224.1	1	AP1001158	4014486497380



DOMINATOR 115 LEFT



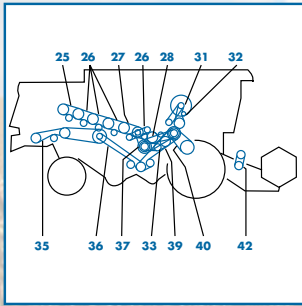
DOMINATOR 115 MIDDLE



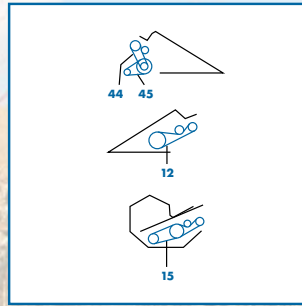
DOMINATOR 115 RIGHT

CLAAS

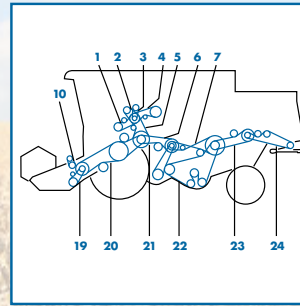
NR.	DRIVE	PART NUMBER	SET	AP NR.	EAN
	TO 5.7 M CUTTING TABLE	670224.1	1	AP1001158	4014486497380
DOMINATOR 115					
0	FOR STRAW CHOPPER	061700.1	1	AP1003356	4014486486131
0		603017.0	2	AP1000833	4014486472592
0	FOR SOJA CUTTING TABLE	644209.2	1	AP1004843	4014486715668
1		629763.0	1	AP1003593	4014486484977
1		644017.0	1	AP1001236	4014486491906
2		629002.0	1	AP1003395	4014486462715
2		629002.1	1	AP1003395	4014486462715
3		629908.0	1	AP1002332	4014486478631
3		629908.1	1	AP1002332	4014486478631
5		644018.0	1	AP1001243	4014486491982
6		603337.0	1	AP1000662	4014486470260
7		644141.0	1	AP1000476	4014486467475
7		644141.1	1	AP1000476	4014486467475
10	TO 5.1 M CUTTING TABLE	670224.0	1	AP1001158	4014486497380
12	FOR MAIZE PICKER	692149.0	1	AP1001852	4014486488869
12	FOR MAIZE PICKER	692150.0	1	AP1001857	4014486488920
15	FOR SOJA CUTTING TABLE	644209.0	1	AP1000699	4014486470826
15	FOR SOJA CUTTING TABLE	644209.1	1	AP1004843	4014486715668
15	FROM 6.0 M CUTTING TABLE	671013.1	1	AP1000676	4014486470482
19	TO 5.1 M CUTTING TABLE	629214.1	1	AP1002317	4014486480054
20		603017.3	2	AP1000833	4014486472592
21		603380.0	1	AP1001080	4014486498240
22		609762.0	1	AP1001713	4014486486919
23	FOR STRAW DISTRIBUTOR	506671.0	1	AP1000506	4014486467840
23	FOR STRAW DISTRIBUTOR	506671.1	1	AP1000506	4014486467840
23	FOR STRAW DISTRIBUTOR	506671.2	1	AP1000506	4014486467840
24	FOR STRAW DISTRIBUTOR	640653.1	1	AP1000350	4014486466065
26		644015.1	1	AP1002913	4014486484601
27		644016.1	1	AP1001800	4014486488104
29		064168.0	1	AP1003635	4014486488753
29		064168.1	1	AP1003635	4014486488753
29		064168.2	1	AP1003635	4014486488753
30		233843.1	1	AP1000237	4014486463408
33	FOR GRAIN	061701.1	1	AP1000790	4014486472066
33	FOR GRAIN	061701.2	1	AP1000790	4014486472066
33	FOR MAIZE	061872.0	2	AP1002867	4014486471939
34	FOR STRAW CHOPPER	061700.0	1	AP1003356	4014486486131
35		603247.1	1	AP1003626	4014486488111
36		061700.0	1	AP1003356	4014486486131
37		644014.0	1	AP1002319	4014486480078
37		644014.1	1	AP1002319	4014486480078
38	CYLINDER N=650-1500 RPM	603015.1	1	AP1001503	4014486460186
38	CYLINDER N=500-1400 RPM	644177.0	1	AP1001221	4014486497762
40	FROM 6.0 M CUTTING TABLE	670224.0	1	AP1001158	4014486497380
42		680334.0	1	AP1001819	4014486488364
42		680334.1	1	AP1001819	4014486488364
43		629410.0	2	AP1002872	4014486468441
		603017.2	2	AP1000833	4014486472592
		603380.1	1	AP1001080	4014486498240
		629410.1	2	AP1002872	4014486468441
		644017.1	1	AP1001236	4014486491906
		644018.1	1	AP1001243	4014486491982
	FROM 6.0 M CUTTING TABLE	670224.1	1	AP1001158	4014486497380
	TO 5.1 M CUTTING TABLE	670224.1	1	AP1001158	4014486497380



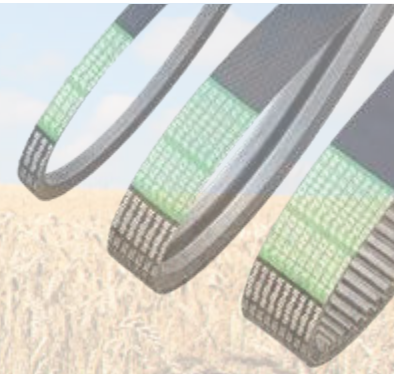
DOMINATOR 116 LEFT



DOMINATOR 116 MIDDLE



DOMINATOR 116 RIGHT



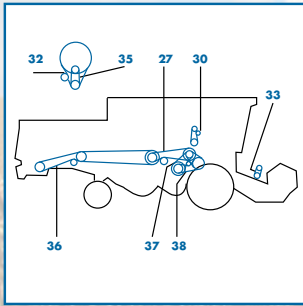
CLAAS

NR.	DRIVE	PART NUMBER	SET	AP NR.	EAN
DOMINATOR 116					
0	FOR STRAW CHOPPER	061700.1	1	AP1003356	4014486486131
0	TABLE (FROM NR. 14400125)	603017.0	2	AP1000833	4014486472592
0	FROM NR. 14400300	633030.0	1	AP1000220	4014486462838
0	FOR SOJA CUTTING TABLE	644209.2	1	AP1004843	4014486715668
1	HYDRAULIC PUMP DRIVE	644017.0	1	AP1001236	4014486491906
2	HYDRAULIC PUMP DRIVE (FROM NR. 14400300)	629002.0	1	AP1003395	4014486462715
2	HYDRAULIC PUMP DRIVE (FROM NR. 14400300)	629002.1	1	AP1003395	4014486462715
2	HYDRAULIC PUMP DRIVE (TO NR. 14400299)	689175.0	1	AP1003391	4014486462654
3	TO NR. 14400199	621903.0	1	AP1002041	4014486475166
3	TO NR. 14400199	621903.1	1	AP1002041	4014486475166
3	FROM NR. 14400200	629908.0	1	AP1002332	4014486478631
3	FROM NR. 14400200	629908.1	1	AP1002332	4014486478631
4	DRIVE GRAIN TANK	629763.0	1	AP1003593	4014486484977
5	MAIN DRIVE	644018.0	1	AP1001243	4014486491982
6		603337.0	1	AP1000662	4014486470260
7	RETURN AUGER DRIVE	603336.0	1	AP1000478	4014486467499
7	RETURN AUGER DRIVE	603336.1	1	AP1000478	4014486467499
10	REEL DRIVE VARIABLE SPEED - TO 5.7 M CUTTING TABLE	670224.0	1	AP1001158	4014486497380
10	REEL DRIVE VARIABLE SPEED - TO 5.7 M CUTTING TABLE	670224.1	1	AP1001158	4014486497380
12	FOR MAIZE PICKER	692149.0	1	AP1001852	4014486488869
12	FOR MAIZE PICKER	692150.0	1	AP1001857	4014486488920
15	FOR SOJA CUTTING TABLE	644209.0	1	AP1000699	4014486470826
15	FOR SOJA CUTTING TABLE	644209.1	1	AP1004843	4014486715668
15	FROM 6.0 M CUTTING TABLE	671013.1	1	AP1000676	4014486470482
19	KNIFE TO 5.7 M CUTTING TABLE	629214.1	1	AP1002317	4014486480054
20	TABLE (FROM NR. 14400125)	603017.3	2	AP1000833	4014486472592
20	TABLE (TO NR. 14400124)	629441.0	2	AP1000810	4014486472332
21		603380.0	1	AP1001080	4014486498240
22	SIEVE PAN DRIVE	609762.0	1	AP1001713	4014486486919
23	STRAW WALKER DRIVE	506671.0	1	AP1000506	4014486467840
23	STRAW WALKER DRIVE	506671.1	1	AP1000506	4014486467840
23	STRAW WALKER DRIVE	506671.2	1	AP1000506	4014486467840
24		640653.1	1	AP1000350	4014486466065
26	ROLLER	644015.1	1	AP1002913	4014486484601
27	ROLLER	644016.1	1	AP1001800	4014486488104
28	INTERMEDIATE SHAFT	064168.0	1	AP1003635	4014486488753
28	INTERMEDIATE SHAFT	064168.1	1	AP1003635	4014486488753
28	INTERMEDIATE SHAFT	064168.2	1	AP1003635	4014486488753
31	SCREEN (TO NR. 14400299)	233843.1	1	AP1000237	4014486463408
31	SCREEN (FROM NR. 14400300)	644267.0	1	AP1000243	4014486463613
32	FROM NR. 14400300	633030.2	1	AP1000220	4014486462838
35	FOR GRAIN	061701.1	1	AP1000790	4014486472066
35	FOR GRAIN	061701.2	1	AP1000790	4014486472066
35	FOR MAIZE	061872.0	2	AP1002867	4014486471939
36	FOR STRAW CHOPPER	061700.0	1	AP1003356	4014486486131
37	STRAW WALKER DRIVE	603247.1	1	AP1003626	4014486488111
38		061700.0	1	AP1003356	4014486486131
39		644014.0	1	AP1002319	4014486480078
39		644014.1	1	AP1002319	4014486480078
40	CYLINDER N=650-1500 RPM	603015.1	1	AP1001503	4014486460186
40	CYLINDER N=500-1400 RPM	644177.0	1	AP1001221	4014486497762
42	FROM 6.0 M CUTTING TABLE	670224.0	1	AP1001158	4014486497380
44		680334.0	1	AP1001819	4014486488364
44		680334.1	1	AP1001819	4014486488364
45		629410.0	2	AP1002872	4014486468441

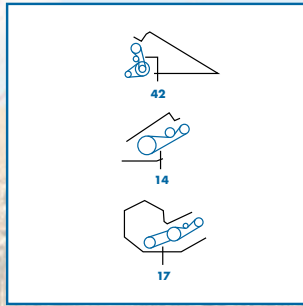


CLAAS

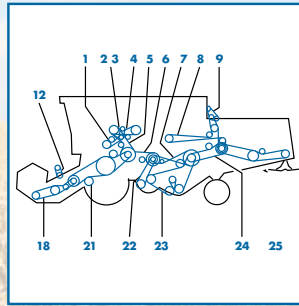
NR.	DRIVE	PART NUMBER	SET	AP NR.	EAN
	TABLE (FROM NR. 14400125)	603017.2	2	AP1000833	4014486472592
		603380.1	1	AP1001080	4014486498240
		629410.1	2	AP1002872	4014486468441
	TABLE (TO NR. 14400124)	629441.1	2	AP1000810	4014486472332
	FROM NR. 14400300	633030.1	1	AP1000220	4014486462838
	HYDRAULIC PUMP DRIVE	644017.1	1	AP1001236	4014486491906
	MAIN DRIVE	644018.1	1	AP1001243	4014486491982
	FROM 6.0 M CUTTING TABLE	670224.1	1	AP1001158	4014486497380
DOMINATOR 118					
0		060306.2	1	AP1000723	4014486471151
0		060306.4	1	AP1000723	4014486471151
0		506671.0	1	AP1000506	4014486467840
0		506671.1	1	AP1000506	4014486467840
0	TO NO. 09404032	603017.0	2	AP1000833	4014486472592
0	TO NO. 09404032	629732.0	1	AP1000415	4014486466782
0	TO NO. 09404032	629732.1	1	AP1000416	4014486466799
0	AT MERCEDES OM 441 A	633030.0	1	AP1000220	4014486462838
1	AT MERCEDES OM 421	629279.0	1	AP1001936	4014486490336
1	AT MERCEDES OM 441 A 163 KW 4 GROOVE	644405.2	1	AP1001941	4014486490411
1	AT MERCEDES OM 441 A	661092.1	1	AP1001238	4014486491920
2	AT MERCEDES OM 441 A	633030.2	1	AP1000220	4014486462838
2		689175.0	1	AP1003391	4014486462654
2	HYDRAULIC PUMP 163 KW 4 GROOVE	767057.1	1	AP1003333	4014486462609
2	HYDRAULIC PUMP AT MERCEDES OM 366 LA	767057.1	1	AP1003333	4014486462609
3		629908.0	1	AP1002332	4014486478631
3		629908.1	1	AP1002332	4014486478631
3	AT MERCEDES OM 441 A	661114.0	1	AP1002336	4014486478686
4	AT MERCEDES OM 421	629763.0	1	AP1003593	4014486484977
4	AT RABA - MOTOR	629763.0	1	AP1003593	4014486484977
4	AT MERCEDES OM 366 LA WITH MECHANICAL GROUND DRIVE	629769.0	1	AP1002699	4014486484922
4	AT PERKINS V8 540	629769.0	1	AP1002699	4014486484922
4	AT MERCEDES OM 366 LA WITH MECHANICAL GROUND DRIVE	629769.1	1	AP1002699	4014486484922
4	AT PERKINS V8 540	629769.1	1	AP1002699	4014486484922
4	AT MERCEDES OM 366 LA WITH HYDRAULIC GROUND DRIVE	660409.0	1	AP1001575	4014486484809
4	AT MERCEDES OM 441 A	661093.0	1	AP1001581	4014486484885
5	TO NO. 094030057	629000.1	1	AP1003661	4014486490657
5	AT 5 - RILL DRIVE FROM 09403058	644403.0	1	AP1001247	4014486492033
5	AT 4 - RILL DRIVE FROM NO. 09403058	644404.0	1	AP1003354	4014486490763
5	AT 4 - RILL DRIVE FROM NO. 09403058	644404.1	1	AP1003354	4014486490763
6		603337.0	1	AP1000662	4014486470260
7		603336.0	1	AP1000478	4014486467499
7		603336.1	1	AP1000478	4014486467499
8	TO NO. 09404032	629732.2	1	AP1000417	4014486520507
8	FROM NO. 09404033	644447.0	1	AP1000420	4014486466836
9	NOT AT SERIES MAXI	640653.1	1	AP1000350	4014486466065
12	AT 3.9 M - 5.1 M	670224.1	1	AP1001158	4014486497380
14	FOR CORN PICKER	692149.0	1	AP1001852	4014486488869
14	FOR CORN PICKER	692150.0	1	AP1001857	4014486488920
17	AT 6.0 M - 9M	671013.1	1	AP1000676	4014486470482
19	AT 3.9 M - 5.1 M	713506.0	1	AP1000315	4014486465310
19	AT 3.9 M - 5.1 M	713506.1	1	AP1000315	4014486465310
19	AT 3.9 M - 5.1 M	713506.2	1	AP1000315	4014486465310
21	TO NO. 09404032	603017.3	2	AP1000833	4014486472592
21	TO NO. 0904032	603430.0	2	AP1000823	4014486472493
21	SHAFTS DISTANCE 1177 MM	629441.0	2	AP1000810	4014486472332
21	SHAFTS DISTANCE 1306 MM FROM NO. 09404033	644419.0	2	AP1000832	4014486472585



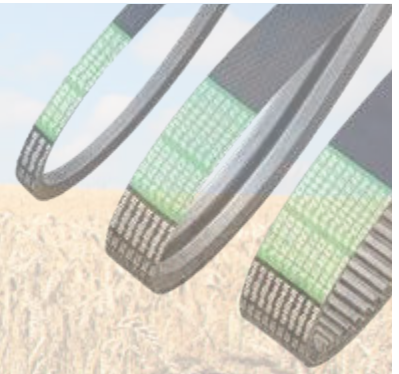
DOMINATOR 118 HYDR LEFT



DOMINATOR 118 HYDR MIDDLE



DOMINATOR 118 HYDR RIGHT



CLAAS

NR.	DRIVE	PART NUMBER	SET	AP NR.	EAN
21	SHAFTS DISTANCE 1463 MM FROM NO. 09404033	661301.0	2	AP1000840	4014486472684
21	SHAFTS DISTANCE 1463 MM FROM NO. 09404033	661301.1	2	AP1000840	4014486472684
22		603380.1	1	AP1001080	4014486498240
23		609762.0	1	AP1001713	4014486486919
24		506671.2	1	AP1000506	4014486467840
25		623427.1	1	AP1000409	4014486466720
27		060306.3	1	AP1000723	4014486471151
30	ROTARY SCREEN AT MERCEDES - MOTOR TO NO. 09400750	603341.0	1	AP1003328	4014486463217
30	AT MERCEDES - MOTOR FROM 09400751 - 09403057	783430.0	1	AP1000238	4014486463422
30	AT MERCEDES - MOTOR FROM 09400751 - 09403057	783430.1	1	AP1000238	4014486463422
32	FROM NO. 09405335	661345.0	1	AP1000160	4014486461824
32	AT RABA - MOTOR	783876.0	1	AP1002091	4014486475845
32	TO NO. 09405334	821734.2	1	AP1000154	4014486461763
33	AT 6.0 M - 9M	670224.1	1	AP1001158	4014486497380
35	AT RABA - MOTOR	629764.0	1	AP1000097	4014486460964
35	AT OM 366 LA 132 KW	657793.0	1	AP1000107	4014486461114
35	AT OM 366 LA 163 KW	661244.0	1	AP1000125	4014486461374
35	AT MERCEDES OM 441 A	661245.0	1	AP1003377	4014486461435
36	FOR CORN - CHOPPER	061214.0	1	AP1000868	4014486473070
36	FOR GRAIN CHOPPER FROM NO. 09403058	061353.0	1	AP1000870	4014486473094
36	FOR GRAIN CHOPPER FROM NO. 09403058	061353.1	1	AP1000870	4014486473094
36	FOR GRAIN CHOPPER TO NO. 09403057	061360.0	1	AP1000870	4014486473094
36	FOR GRAIN CHOPPER TO NO. 09403057	061360.1	1	AP1000870	4014486473094
37	FROM NO. 09403058	609823.0	1	AP1001225	4014486497809
37	TO NO. 09403057	629035.0	1	AP1001289	4014486520545
38	AT N 650 - 1500 MIN-1 TO 09403057	603354.0	1	AP1001844	4014486488739
38	AT N 510 - 1220 MIN-1 TO 09403057	629510.0	1	AP1003634	4014486488623
38	AT N 510 - 1220 MIN-1 TO 09403057	629510.1	1	AP1003634	4014486488623
38	VAR. 7693 / VAR. 7716 3 GROOVE	661220.0	1	AP1003340	4014486488807
38	VAR. 7693 / VAR. 7716 3 GROOVE	661220.1	1	AP1003340	4014486488807
38	VAR. 7818 2 GROOVE	661298.0	1	AP1001630	4014486485738
41	FOR HPH - G CHOPPER	695610.0	1	no AP	
42	FOR HPH - G CHOPPER	680334.0	1	AP1001819	4014486488364
42	FOR HPH - G CHOPPER	680334.1	1	AP1001819	4014486488364
43	FOR SUCTION BLOWER	644448.0	1	AP1000139	4014486461565
	TO NO. 09404032	603017.2	2	AP1000833	4014486472592
	TO NO. 0904032	603430.1	2	AP1000823	4014486472493
	SHAFTS DISTANCE 1177 MM	629441.1	2	AP1000810	4014486472332
	AT MERCEDES OM 441 A	633030.1	1	AP1000220	4014486462838
	AT MERCEDES OM 441 A 163 KW 4 GROOVE	644405.1	1	AP1001941	4014486490411
	SHAFTS DISTANCE 1306 MM FROM NO. 09404033	644419.1	2	AP1000832	4014486472585
DOMINATOR 118 HYDR					
0	STRAW CHOPPER DRIVE	060306.2	1	AP1000723	4014486471151
0	STRAW CHOPPER DRIVE	060306.3	1	AP1000723	4014486471151
0	SHAFT 1463 MM (TO NR. 09404032)	603017.3	2	AP1000833	4014486472592
0	TO NR. 09404032	629732.2	1	AP1000417	4014486520507
0	VAR. 7693 / VAR. 7716	661220.0	1	AP1003340	4014486488807
0	VAR. 7693 / VAR. 7716	661220.1	1	AP1003340	4014486488807
1	FOR MERCEDES ENGINE OM 421	629279.0	1	AP1001936	4014486490336
1	FOR MERCEDES ENGINE OM 366 LA	644405.1	1	AP1001941	4014486490411
1	FOR MERCEDES ENGINE OM 366 LA	644405.2	1	AP1001941	4014486490411
1	FOR MERCEDES ENGINE OM 441 A	661092.1	1	AP1001238	4014486491920
2		689175.0	1	AP1003391	4014486462654
3		629908.0	1	AP1002332	4014486478631
3		629908.1	1	AP1002332	4014486478631
3	FOR VAR. 7705	661114.0	1	AP1002336	4014486478686



CLAAS

NR.	DRIVE	PART NUMBER	SET	AP NR.	EAN
4	TO NR. 09403057	629763.0	1	AP1003593	4014486484977
4	FOR VAR. 7605	660409.0	1	AP1001575	4014486484809
4	FOR VAR. 7705	661093.0	1	AP1001581	4014486484885
5	TO NR. 09403057	629000.0	1	AP1003661	4014486490657
5	FROM NR. 09403058	644404.0	1	AP1003354	4014486490763
5	FROM NR. 09403058	644404.1	1	AP1003354	4014486490763
6		603337.0	1	AP1000662	4014486470260
7		603336.0	1	AP1000478	4014486467499
7		603336.1	1	AP1000478	4014486467499
8	TO NR. 09404032	629732.0	1	AP1000415	4014486466782
8	FROM NR. 09404033	644447.0	1	AP1000420	4014486466836
9	NOT AT SERIES MAXI	640653.0	1	AP1000350	4014486466065
12	FOR 3.9 M - 5.1 M	670224.0	1	AP1001158	4014486497380
12	FOR 3.9 M - 5.1 M	670224.1	1	AP1001158	4014486497380
14	FOR MAIZE PICKER	692149.0	1	AP1001852	4014486488869
14	FOR MAIZE PICKER	692150.0	1	AP1001857	4014486488920
17	FOR 6.0 M - 9.0 M	671013.0	1	AP1000674	4014486470468
17	FOR 6.0 M - 9.0 M	671013.1	1	AP1000676	4014486470482
19	STRAW WALKER DRIVE	713506.0	1	AP1000315	4014486465310
19	STRAW WALKER DRIVE	713506.1	1	AP1000315	4014486465310
19	STRAW WALKER DRIVE	713506.2	1	AP1000315	4014486465310
21	SHAFT 1463 MM (TO NR. 09404032)	603017.0	2	AP1000833	4014486472592
21	SHAFT 1306 MM (TO NR. 09404032)	603430.0	2	AP1000823	4014486472493
21	SHAFT BASE 1177 MM	629441.0	2	AP1000810	4014486472332
21	SHAFT 1306 MM (FROM NR. 09404033)	644419.0	2	AP1000832	4014486472585
21	SHAFT 1463 MM (FROM NR. 0940433)	661301.0	2	AP1000840	4014486472684
21	SHAFT 1463 MM (FROM NR. 0940433)	661301.1	2	AP1000840	4014486472684
22	COUNTERSHAFT DRIVE	603380.0	1	AP1001080	4014486498240
23		609762.0	1	AP1001713	4014486486919
24		506671.0	1	AP1000506	4014486467840
24		506671.1	1	AP1000506	4014486467840
24		506671.2	1	AP1000506	4014486467840
25		623427.0	1	AP1000410	4014486466737
27	STRAW CHOPPER DRIVE	060306.0	1	AP1000723	4014486471151
30		603341.0	1	AP1003328	4014486463217
30		783430.0	1	AP1000238	4014486463422
30		783430.1	1	AP1000238	4014486463422
32	FROM NR. 09405335	661345.0	1	AP1000160	4014486461824
32	FOR RABA - ENGINE	783876.0	1	AP1002091	4014486475845
32	TO NR. 09405334	821734.2	1	AP1000154	4014486461763
33	FOR 6.0 M - 9.0 M	670224.0	1	AP1001158	4014486497380
33	FOR 6.0 M - 9.0 M	670224.1	1	AP1001158	4014486497380
35	FOR RABA - ENGINE	629764.0	1	AP1000097	4014486460964
35	FOR OM 366 LA	657793.0	1	AP1000107	4014486461114
35	FOR OM 366 LA	661244.0	1	AP1000125	4014486461374
35	FOR MERCEDES ENGINE OM 441 A	661245.0	1	AP1003377	4014486461435
36	CHOPPER DRIVE (MAIZE)	061214.0	1	AP1000868	4014486473070
36	CHOPPER DRIVE (GRAIN) (FROM NR. 09403058)	061353.0	1	AP1000870	4014486473094
36	CHOPPER DRIVE (GRAIN) (FROM NR. 09403058)	061353.1	1	AP1000870	4014486473094
36	CHOPPER DRIVE (GRAIN) (TO NR. 09403057)	061360.0	1	AP1000870	4014486473094
36	CHOPPER DRIVE (GRAIN) (TO NR. 09403057)	061360.1	1	AP1000870	4014486473094
37	FROM NR. 09403058	609823.0	1	AP1001225	4014486497809
37	TO NR. 09403057	629035.0	1	AP1001289	4014486520545
38	FOR N=650-1500 RPM	603354.0	1	AP1001844	4014486488739
38	FOR N=510-1220 RPM	629510.0	1	AP1003634	4014486488623
38	FOR N=510-1220 RPM	629510.1	1	AP1003634	4014486488623
38	VAR. 7818	661298.0	1	AP1001630	4014486485738



CLAAS

NR.	DRIVE	PART NUMBER	SET	AP NR.	EAN
41		695610.0	1	no AP	
42		680334.0	1	AP1001819	4014486488364
42		680334.1	1	AP1001819	4014486488364
43	FOR AIR EXHAUST	644448.0	1	AP1000139	4014486461565
	SHAFT 1463 MM (TO NR. 09404032)	603017.2	2	AP1000833	4014486472592
	COUNTERSHAFT DRIVE	603380.1	1	AP1001080	4014486498240
	SHAFT 1306 MM (TO NR. 09404032)	603430.1	2	AP1000823	4014486472493
		623427.1	1	AP1000409	4014486466720
	TO NR. 09403057	629000.1	1	AP1003661	4014486490657
	SHAFT BASE 1177 MM	629441.1	2	AP1000810	4014486472332
	TO NR. 09404032	629732.1	1	AP1000416	4014486466799
	NOT AT SERIES MAXI	640653.1	1	AP1000350	4014486466065
	SHAFT 1306 MM (FROM NR. 09404033)	644419.1	2	AP1000832	4014486472585
DOMINATOR 118 MECH					
0	COUNTERSHAFT DRIVE	060306.2	1	AP1000723	4014486471151
0	COUNTERSHAFT DRIVE	060306.3	1	AP1000723	4014486471151
0	ELEVATOR DRIVE UNIT	629732.2	1	AP1000417	4014486520507
0	FOR TWO-STAGE DRIVE	661220.0	1	AP1003340	4014486488807
1		689175.0	1	AP1003391	4014486462654
2		629908.0	1	AP1002332	4014486478631
2		629908.1	1	AP1002332	4014486478631
3		629769.0	1	AP1002699	4014486484922
3		629769.1	1	AP1002699	4014486484922
4	MAIN/DRUM	629000.0	1	AP1003661	4014486490657
5		603337.0	1	AP1000662	4014486470260
6	RETURN AUGER DRIVE	603336.0	1	AP1000478	4014486467499
6	RETURN AUGER DRIVE	603336.1	1	AP1000478	4014486467499
7	ELEVATOR DRIVE UNIT	629732.0	1	AP1000415	4014486466782
7	FROM NR. 09404033	644447.0	1	AP1000420	4014486466836
8		640653.0	1	AP1000350	4014486466065
11	FOR 3.9 M - 5.1 M	670224.0	1	AP1001158	4014486497380
12	FOR 3.9 M - 5.1 M	670224.1	1	AP1001158	4014486497380
13	FOR MAIZE PICKER	692149.0	1	AP1001852	4014486488869
13	FOR MAIZE PICKER	692150.0	1	AP1001857	4014486488920
16	FOR 6.0 M - 9.0 M	671013.0	1	AP1000674	4014486470468
17	FOR 6.0 M - 9.0 M	671013.1	1	AP1000676	4014486470482
18	FOR 3.9 M - 5.1 M	713506.0	1	AP1000315	4014486465310
18	FOR 3.9 M - 5.1 M	713506.1	1	AP1000315	4014486465310
18	FOR 3.9 M - 5.1 M	713506.2	1	AP1000315	4014486465310
20	SHAFT 1306 MM	603290.0	1	AP1000764	4014486471670
20	SHAFT BASE 1177 MM	629836.0	1	AP1000746	4014486471427
21	TABLE CLUTCH	673638.0	1	AP1001099	4014486496819
22		609822.0	1	AP1004575	4014486717662
23		609823.0	1	AP1001225	4014486497809
24		603380.0	1	AP1001080	4014486498240
25		609762.0	1	AP1001713	4014486486919
26		506671.0	1	AP1000506	4014486467840
26		506671.1	1	AP1000506	4014486467840
26		506671.2	1	AP1000506	4014486467840
27		623427.0	1	AP1000410	4014486466737
29	COUNTERSHAFT DRIVE	060306.0	1	AP1000723	4014486471151
32	TO NR. 09400750	603341.0	1	AP1003328	4014486463217
32	FROM NR. 09400751	783430.0	1	AP1000238	4014486463422
32	FROM NR. 09400751	783430.1	1	AP1000238	4014486463422
33	FOR 6.0 M - 9.0 M	670224.1	1	AP1001158	4014486497380
34	FOR 6.0 M - 9.0 M	670224.0	1	AP1001158	4014486497380



CLAAS

NR.	DRIVE	PART NUMBER	SET	AP NR.	EAN
DOMINATOR 128 VX					
0	TO NO. 09408296	060306.2	1	AP1000723	4014486471151
0	TO NO. 09408296	060306.4	1	AP1000723	4014486471151
0	N = 519 MIN-1	066034.0	1	AP1000302	4014486465037
0		506671.0	1	AP1000506	4014486467840
0		506671.1	1	AP1000506	4014486467840
0		755070.0	2	AP1002795	4014486463279
0		755070.2	2	AP1002795	4014486463279
1		544049.1	2	AP1001561	4014486484618
2	MERCEDES OM 906 LA	656028.0	1	AP1003335	4014486462869
2	MERCEDES OM 366 LA	767057.1	1	AP1003333	4014486462609
3	MERCEDES OM 906 LA	621903.0	1	AP1002041	4014486475166
3	MERCEDES OM 906 LA	621903.1	1	AP1002041	4014486475166
3	MERCEDES OM 366 LA	629908.0	1	AP1002332	4014486478631
3	MERCEDES OM 366 LA	629908.1	1	AP1002332	4014486478631
4		660409.0	1	AP1001575	4014486484809
5	MERCEDES OM 906 LA	544083.0	1	AP1001968	4014486490794
5	MERCEDES OM 366 LA	644404.0	1	AP1003354	4014486490763
5	MERCEDES OM 366 LA	644404.1	1	AP1003354	4014486490763
6		603337.0	1	AP1000662	4014486470260
7		644141.1	1	AP1000476	4014486467475
8		644447.0	1	AP1000420	4014486466836
9		623427.1	1	AP1000409	4014486466720
10		755070.1	2	AP1002795	4014486463279
11	N = 660 MIN-1	785341.0	1	AP1000295	4014486464870
12		661337.0	2	AP1000845	4014486472745
12		661337.1	2	AP1000845	4014486472745
13	FOR CORN	061214.0	1	AP1000868	4014486473070
13	TO NO. 09408296	061353.0	1	AP1000870	4014486473094
13	TO NO. 09408296	061353.1	1	AP1000870	4014486473094
13	FROM NO. 09408297	644539.0	1	AP1000871	4014486473100
14		603380.1	1	AP1001080	4014486498240
15		609762.0	1	AP1001713	4014486486919
17	TO NO. 09408296	060306.3	1	AP1000723	4014486471151
17	FROM NO. 09408297	644538.0	1	AP1001655	4014486486094
19		506671.2	1	AP1000506	4014486467840
20	MERCEDES OM 906 LA	545689.0	1	AP1003332	4014486461886
20	MERCEDES OM 366 LA	661345.0	1	AP1000160	4014486461824
21	MERCEDES OM 366 LA	661244.0	1	AP1000125	4014486461374
22	TO NO. 09408296	644448.0	1	AP1000139	4014486461565
22	FROM NO. 09408297	644537.0	1	AP1000140	4014486461572
23	TWO STAGE DRIVE	609823.0	1	AP1001225	4014486497809
24	DRUM VARIABLE SPEED DRIVE N = 650 - 1500	661220.0	1	AP1003340	4014486488807
24	DRUM VARIABLE SPEED DRIVE N = 650 - 1500	661220.1	1	AP1003340	4014486488807
24	DRUM VARIABLE SPEED DRIVE N = 250 - 1250	661298.0	1	AP1001630	4014486485738
DOMINATOR 130					
1	THRESHING MECHANISM DRIVE	628888.0	1	AP1001684	4014486486551
2	SIEVE PAN DRIVE	724141.0	1	AP1000709	4014486470970
3	DISCHARGE DRIVE GRAIN TANK	672351.0	1	AP1001570	4014486484731
5	AIR CONDITIONING COMPRESSOR DRIVE	349065.0	1	AP1002050	4014486475265
6	INTENSIVE SEPARATION SYSTEM DRIVE	802931.0	1	AP1003456	4014486465945
7	CUTTERBAR DRIVE	603290.0		AP1000764	4014486471670
8	CHOPPER DRIVE	061902.0	1	AP1000851	4014486472813
9	CUTTERBAR DRIVE	673638.1	1	AP1001099	4014486496819
10	FAN DRIVE VARIABLE SPEED	603380.1	1	AP1001080	4014486498240



CLAAS

NR.	DRIVE	PART NUMBER	SET	AP NR.	EAN
11	SIEVE PAN DRIVE	724247.0	1	AP1000849	4014486472783
11	SIEVE PAN DRIVE	724247.1	1	AP1000849	4014486472783
12	CHOPPER DRIVE	061872.0	2	AP1002867	4014486471939
14	STRAW WALKER DRIVE	785176.0	1	AP1000389	4014486466522
16	DRUM DRIVE VARIABLE SPEED (N=500-1400 RPM)	661430.0	1	AP1001229	4014486497830
16	DRUM DRIVE VARIABLE SPEED (N=650-1500 RPM)	661430.0	1	AP1001229	4014486497830
DOMINATOR 140					
1	THRESHING MECHANISM DRIVE	628888.0	1	AP1001684	4014486486551
2	SIEVE PAN DRIVE	724141.0	1	AP1000709	4014486470970
3	DISCHARGE DRIVE GRAIN TANK	672351.0	1	AP1001570	4014486484731
5	AIR CONDITIONING COMPRESSOR DRIVE	349065.0	1	AP1002050	4014486475265
6	INTENSIVE SEPARATION SYSTEM DRIVE	802931.0	1	AP1003456	4014486465945
7	CUTTERBAR DRIVE	603290.0		AP1000764	4014486471670
8	CHOPPER DRIVE	061902.0	1	AP1000851	4014486472813
9	CUTTERBAR DRIVE	673638.1	1	AP1001099	4014486496819
10	FAN DRIVE VARIABLE SPEED	603380.1	1	AP1001080	4014486498240
11	SIEVE PAN DRIVE	724247.0	1	AP1000849	4014486472783
11	SIEVE PAN DRIVE	724247.1	1	AP1000849	4014486472783
12	CHOPPER DRIVE	061872.0	2	AP1002867	4014486471939
14	STRAW WALKER DRIVE	785176.0	1	AP1000389	4014486466522
16	DRUM DRIVE VARIABLE SPEED (N=500-1400 RPM)	661430.0	1	AP1001229	4014486497830
16	DRUM DRIVE VARIABLE SPEED (N=650-1500 RPM)	661430.0	1	AP1001229	4014486497830
DOMINATOR 150					
1	THRESHING MECHANISM DRIVE	628888.0	1	AP1001684	4014486486551
2	SIEVE PAN DRIVE	724141.0	1	AP1000709	4014486470970
3	DISCHARGE DRIVE GRAIN TANK	672351.0	1	AP1001570	4014486484731
5	AIR CONDITIONING COMPRESSOR DRIVE	349065.0	1	AP1002050	4014486475265
6	INTENSIVE SEPARATION SYSTEM DRIVE	802931.0	1	AP1003456	4014486465945
7	CUTTERBAR DRIVE	603290.0		AP1000764	4014486471670
8	CHOPPER DRIVE	061902.0	1	AP1000851	4014486472813
9	CUTTERBAR DRIVE	673638.1	1	AP1001099	4014486496819
10	FAN DRIVE VARIABLE SPEED	603380.1	1	AP1001080	4014486498240
11	SIEVE PAN DRIVE	724247.0	1	AP1000849	4014486472783
11	SIEVE PAN DRIVE	724247.1	1	AP1000849	4014486472783
12	CHOPPER DRIVE	061872.0	2	AP1002867	4014486471939
14	STRAW WALKER DRIVE	785176.0	1	AP1000389	4014486466522
16	DRUM DRIVE VARIABLE SPEED (N=500-1400 RPM)	661430.0	1	AP1001229	4014486497830
16	DRUM DRIVE VARIABLE SPEED (N=650-1500 RPM)	661430.0	1	AP1001229	4014486497830
DOMINATOR 202 II MEGA					
0	STRAW CHOPPER	060306.2	1	AP1000723	4014486471151
0	STRAW CHOPPER	060306.4	1	AP1000723	4014486471151
0	STRAW WALKER	506671.0	1	AP1000506	4014486467840
0	STRAW WALKER	506671.1	1	AP1000506	4014486467840
0	SIEVE PAN / AUGER	603017.0	2	AP1000833	4014486472592
0	FEEDER HOUSING CUTTERBAR	644369.1	2	AP1002873	4014486472851
0	PRE - ACCELERATOR	661031.3	1	AP1001564	4014486484663
0	AT 2 STAGE DRIVE	661220.0	1	AP1003340	4014486488807
1	GROUND DRIVE	644465.0	1	AP1003630	4014486488333
2	HYDRAULIC PUMP	767057.1	1	AP1003333	4014486462609
3	AIR CONDITIONER	629908.0	1	AP1002332	4014486478631
3	AIR CONDITIONER	629908.1	1	AP1002332	4014486478631
4	GRAIN TANK	629769.0	1	AP1002699	4014486484922
4	GRAIN TANK	629769.1	1	AP1002699	4014486484922
5	THRESHING MECHANISM	661458.0	1	AP1001957	4014486490640



CLAAS

NR.	DRIVE	PART NUMBER	SET	AP NR.	EAN
6	INTERMEDIATE DRIVE 1	603337.0	1	AP1000662	4014486470260
7	INTERMEDIATE DRIVE 2	603336.0	1	AP1000478	4014486467499
7	INTERMEDIATE DRIVE 2	603336.1	1	AP1000478	4014486467499
8	FEED RAKE DRIVE	644447.0	1	AP1000420	4014486466836
11	AT 3.6M - 5.1M	670224.1	1	AP1001158	4014486497380
13	FOR CORN PICKER	692149.0	1	AP1001852	4014486488869
13	FOR CORN PICKER	692150.0	1	AP1001857	4014486488920
16	AT 6.0M - 6.6M	671013.1	1	AP1000676	4014486470482
18	AT 3.6M - 5.1M	713506.0	1	AP1000315	4014486465310
18	AT 3.6M - 5.1M	713506.1	1	AP1000315	4014486465310
18	AT 3.6M - 5.1M	713506.2	1	AP1000315	4014486465310
20	FEEDER HOUSING CUTTERBAR	644369.0	2	AP1002873	4014486472851
21	PRE - ACCELERATOR	661031.1	1	AP1001564	4014486484663
22	FAN	671209.0	1	AP1001039	4014486496383
23	SIEVE PAN / AUGER	603017.3	2	AP1000833	4014486472592
24	STRAW WALKER	506671.2	1	AP1000506	4014486467840
25	STRAW SPREADER	635494.0	2	AP1000382	4014486466454
25	STRAW SPREADER	635494.1	2	AP1000382	4014486466454
27	STRAW CHOPPER	060306.3	1	AP1000723	4014486471151
29	RADIATOR SCREEN	661345.0	1	AP1000160	4014486461824
30	GEAR	657793.0	1	AP1000107	4014486461114
32	FOR CORN - CHOPPER	061213.0	1	AP1000860	4014486472943
32	FOR GRAIN - CHOPPER	061361.0	1	AP1000861	4014486472967
33	AT 2 STAGE DRIVE	609823.0	1	AP1001225	4014486497809
35	AT 6.0M - 6.6M	670224.1	1	AP1001158	4014486497380
37	SUCTION FAN	644448.0	1	AP1000139	4014486461565
40	FOR HPH-G CHOPPER	695610.0	1	no AP	
41	FOR HPH-G CHOPPER	680334.0	1	AP1001819	4014486488364
41	FOR HPH-G CHOPPER	680334.1	1	AP1001819	4014486488364
42	N = 650 - 1500 MIN-1	644418.0	1	AP1001212	4014486497717
43	AT MERCEDES OM 366A	133630.1	2	AP1002961	4014486495058
43	AT PERKINS 1006.6 T	147233.1	2	AP1002575	4014486495478
	SIEVE PAN / AUGER	603017.2	2	AP1000833	4014486472592
	N = 650 - 1500 MIN-1	644418.1	1	AP1001212	4014486497717
	PRE - ACCELERATOR	661031.2	1	AP1001564	4014486484663
	AT 2 STAGE DRIVE	661220.1	1	AP1003340	4014486488807
	THRESHING MECHANISM	661458.1	1	AP1001957	4014486490640

DOMINATOR 202 MEGA					
0	STRAW CHOPPER	060306.3	1	AP1000723	4014486471151
0	STRAW CHOPPER	060306.4	1	AP1000723	4014486471151
0	STRAW WALKER	506671.0	1	AP1000506	4014486467840
0	STRAW WALKER	506671.1	1	AP1000506	4014486467840
0		603017.0	2	AP1000833	4014486472592
0	PRE - ACCELERATOR	661031.2	1	AP1001564	4014486484663
0	AT 2 STAGE DRIVE	661220.0	1	AP1003340	4014486488807
0	SHAFTS DISTANCE 1463MM	661378.0	2	AP1000852	4014486472820
1	GROUND DRIVE	644465.0	1	AP1003630	4014486488333
2	HYDRAULIC PUMP	767057.1	1	AP1003333	4014486462609
3	AIR CONDITIONER	629908.0	1	AP1002332	4014486478631
3	AIR CONDITIONER	629908.1	1	AP1002332	4014486478631
4	GRAIN TANK	629769.0	1	AP1002699	4014486484922
4	GRAIN TANK	629769.1	1	AP1002699	4014486484922
5	THRESHING MECHANISM	661458.0	1	AP1001957	4014486490640
6	GEAR	603337.0	1	AP1000662	4014486470260
7		603336.0	1	AP1000478	4014486467499
7		603336.1	1	AP1000478	4014486467499



CLAAS

NR.	DRIVE	PART NUMBER	SET	AP NR.	EAN
8	FEED RAKE DRIVE	644447.0	1	AP1000420	4014486466836
11	AT 3.6M - 5.1M	670224.1	1	AP1001158	4014486497380
13	FOR CORN PICKER	692149.0	1	AP1001852	4014486488869
13	FOR CORN PICKER	692150.0	1	AP1001857	4014486488920
16	AT 6.0M - 6.6M	671013.1	1	AP1000676	4014486470482
18	AT 3.6M - 5.1M	713506.0	1	AP1000315	4014486465310
18	AT 3.6M - 5.1M	713506.1	1	AP1000315	4014486465310
18	AT 3.6M - 5.1M	713506.2	1	AP1000315	4014486465310
20	SHAFTS DISTANCE 1306MM	661337.0	2	AP1000845	4014486472745
20	SHAFTS DISTANCE 1306MM	661337.1	2	AP1000845	4014486472745
20	SHAFTS DISTANCE 1463MM	661378.1	2	AP1000852	4014486472820
21	PRE - ACCELERATOR	661031.0	1	AP1001564	4014486484663
22	FAN	671209.0	1	AP1001039	4014486496383
23		603017.3	2	AP1000833	4014486472592
24	STRAW WALKER	506671.2	1	AP1000506	4014486467840
25	STRAW SPREADER	635494.0	2	AP1000382	4014486466454
25	STRAW SPREADER	635494.1	2	AP1000382	4014486466454
27	STRAW CHOPPER	060306.2	1	AP1000723	4014486471151
29	RADIATOR SCREEN	661345.0	1	AP1000160	4014486461824
30	GEAR	657793.0	1	AP1000107	4014486461114
32	FOR CORN CHOPPER	061213.0	1	AP1000860	4014486472943
32	FOR GRAIN CHOPPER	061361.0	1	AP1000861	4014486472967
33	AT 2 STAGE DRIVE	609823.0	1	AP1001225	4014486497809
35	AT 6.0M - 6.6M	670224.1	1	AP1001158	4014486497380
37	SUCTION FAN	644448.0	1	AP1000139	4014486461565
40	FOR HPH-G CHOPPER	695610.0	1	no AP	
41	FOR HPH-G CHOPPER	680334.0	1	AP1001819	4014486488364
41	FOR HPH-G CHOPPER	680334.1	1	AP1001819	4014486488364
42	N = 650 - 1500 MIN-1	644418.0	1	AP1001212	4014486497717
43	AT MERCEDES OM 366 A	133630.1	2	AP1002961	4014486495058
43	AT PERKINS 1006.6 T	147233.1	2	AP1002575	4014486495478
		603017.2	2	AP1000833	4014486472592
	N = 650 - 1500 MIN-1	644418.1	1	AP1001212	4014486497717
	PRE - ACCELERATOR	661031.1	1	AP1001564	4014486484663
	AT 2 STAGE DRIVE	661220.1	1	AP1003340	4014486488807
	SHAFTS DISTANCE 1463MM	661378.2	2	AP1000852	4014486472820
	THRESHING MECHANISM	661458.1	1	AP1001957	4014486490640

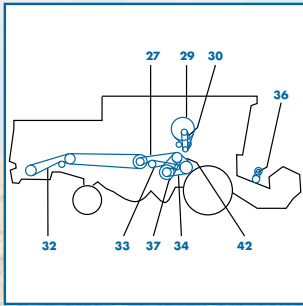
DOMINATOR 203 II MEGA

0	STRAW CHOPPER	060306.2	1	AP1000723	4014486471151
0	TO NO. 93500772	060306.2	1	AP1000723	4014486471151
0	STRAW CHOPPER	060306.4	1	AP1000723	4014486471151
0	TO NO. 93500772	060306.4	1	AP1000723	4014486471151
0	STRAW WALKER	506671.0	1	AP1000506	4014486467840
0	STRAW WALKER	506671.1	1	AP1000506	4014486467840
0	RADIATOR SCREEN WITH MERCEDES OM 906 LA	545668.2	1	AP1004356	4014486714005
0	SIEVE PAN	603017.0	2	AP1000833	4014486472592
0	FEEDER CHANNEL	644369.1	2	AP1002873	4014486472851
0	PRE - ACCELERATOR	661031.3	1	AP1001564	4014486484663
0	FOR MULTIMASTER	661362.0	1	AP1001951	4014486490565
0	GROUND DRIVE	661362.0	1	AP1001951	4014486490565
1	WITH MERCEDES OM 906 LA	644016.1	1	AP1001800	4014486488104
1	GROUND DRIVE	661362.1	1	AP1001951	4014486490565
1	AT MERCEDES OM 366 LA WITH 163 KW	661451.0	1	AP1001958	4014486490664
2	HYDRAULIC PUMP WITH MERCEDES OM 906 LA	656028.0	1	AP1003335	4014486462869
2	HYDRAULIC PUMP	767057.1	1	AP1003333	4014486462609
3	AIR CONDITIONING WITH MERCEDES OM 906 LA	621903.0	1	AP1002041	4014486475166

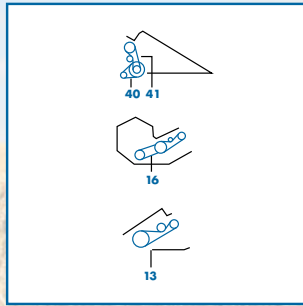


CLAAS

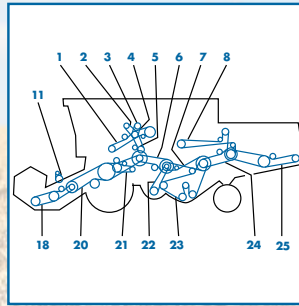
NR.	DRIVE	PART NUMBER	SET	AP NR.	EAN
3	AIR CONDITIONING WITH MERCEDES OM 906 LA	621903.1	1	AP1002041	4014486475166
3	AIR CONDITIONER	629908.0	1	AP1002332	4014486478631
3	AIR CONDITIONER	629908.1	1	AP1002332	4014486478631
4	WITH MERD	544166.0	1	AP1003360	4014486484830
4	GRAIN TANK	629769.0	1	AP1002699	4014486484922
4	GRAIN TANK	629769.1	1	AP1002699	4014486484922
4	AT MERCEDES OM 366 LA WITH 163 KW	660409.0	1	AP1001575	4014486484809
5	WITH MERCEDES OM 906 LA	544164.0	1	AP1001969	4014486490800
5	AT MERCEDES OM 366 LA WITH 163 KW	644404.0	1	AP1003354	4014486490763
5	AT MERCEDES OM 366 LA WITH 163 KW	644404.1	1	AP1003354	4014486490763
5	THRESHING MECHANISM	661458.0	1	AP1001957	4014486490640
6	GEAR	603337.0	1	AP1000662	4014486470260
7		603336.0	1	AP1000478	4014486467499
7		603336.1	1	AP1000478	4014486467499
8	FEED RAKE DRIVE	644447.0	1	AP1000420	4014486466836
11	AT 3.9M - 5.1M	670224.1	1	AP1001158	4014486497380
13	FOR MULTIMASTER	661362.1	1	AP1001951	4014486490565
13	FOR CORN PICKER	692149.0	1	AP1001852	4014486488869
13	FOR CORN PICKER	692150.0	1	AP1001857	4014486488920
16	AT 6.0M - 7.5M	671013.1	1	AP1000676	4014486470482
18	AT 3.9M - 5.1M	713506.0	1	AP1000315	4014486465310
18	AT 3.9M - 5.1M	713506.1	1	AP1000315	4014486465310
18	AT 3.9M - 5.1M	713506.2	1	AP1000315	4014486465310
20	FEEDER CHANNEL	644369.0	2	AP1002873	4014486472851
21	PRE - ACCELERATOR	661031.1	1	AP1001564	4014486484663
22	BLOWER - 203 MEGA	671209.0	1	AP1001039	4014486496383
23	SIEVE PAN	603017.3	2	AP1000833	4014486472592
24	STRAW WALKER	506671.2	1	AP1000506	4014486467840
25	STRAW SPREADER	623427.1	1	AP1000409	4014486466720
27	STRAW CHOPPER	060306.3	1	AP1000723	4014486471151
27	TO NO. 93500772	060306.3	1	AP1000723	4014486471151
29	RADIATOR SCREEN WITH MERCEDES OM 906 LA	545668.1	1	AP1000119	4014486461305
29	RADIATOR SCREEN	661345.0	1	AP1000160	4014486461824
30	WITH MERCEDES OM 906 LA	545689.0	1	AP1003332	4014486461886
30	MERCEDES OM 366 LA	657793.0	1	AP1000107	4014486461114
30	PERKINS 1006.6 T	657793.0	1	AP1000107	4014486461114
30	MERCEDES OM 366 LA 163 KW	661244.0	1	AP1000125	4014486461374
32	FOR CORN - CHOPPER	061214.0	1	AP1000868	4014486473070
32	GRAIN	061353.0	1	AP1000870	4014486473094
32	GRAIN	061353.1	1	AP1000870	4014486473094
33	AT 2 STAGE DRIVE	609823.0	1	AP1001225	4014486497809
33	AT DOMINATOR 204 MEGA WITH N = 650 - 1500 MIN-1	609823.0	1	AP1001225	4014486497809
34	AT 2 STAGE DRIVE	661220.0	1	AP1003340	4014486488807
34	AT DOMINATOR 204 MEGA WITH N = 650 - 1500 MIN-1	661220.0	1	AP1003340	4014486488807
34	AT 2 STAGE DRIVE	661220.1	1	AP1003340	4014486488807
34	AT DOMINATOR 204 MEGA WITH N = 650 - 1500 MIN-1	661220.1	1	AP1003340	4014486488807
35	AT 6.0M - 7.5M	670224.1	1	AP1001158	4014486497380
37	SUCTION FAN	644448.0	1	AP1000139	4014486461565
40	FOR HPH - G CHOPPER	695610.0	1	no AP	
41	FOR HPH - G CHOPPER	680334.0	1	AP1001819	4014486488364
41	FOR HPH - G CHOPPER	680334.1	1	AP1001819	4014486488364
42	AT DOMINATOR 203 MEGA WITH N = 650 - 1500 MIN-1	644418.0	1	AP1001212	4014486497717
43	MERCEDES 366 LA (147 KW)	133635.1	2	AP1002958	4014486495782
43	MERCEDES 366 LA (163 KW)	133642.0	2	AP1003772	4014486495737
43	AT PERKINS 1006.6 T	147233.1	2	AP1002575	4014486495478
	SIEVE PAN	603017.2	2	AP1000833	4014486472592
	AT DOMINATOR 203 MEGA WITH N = 650 - 1500 MIN-1	644418.1	1	AP1001212	4014486497717



DOMINATOR 203 MEGA LEFT



DOMINATOR 203 MEGA MIDDLE



DOMINATOR 203 MEGA RIGHT

CLAAS

NR.	DRIVE	PART NUMBER	SET	AP NR.	EAN
	PRE - ACCELERATOR	661031.2	1	AP1001564	4014486484663
	FOR MULTIMASTER	661362.2	1	AP1005038	4044978005182
	GROUND DRIVE	661362.2	1	AP1005038	4044978005182
	THRESHING MECHANISM	661458.1	1	AP1001957	4014486490640
DOMINATOR 203 MEGA					
0	STRAW CHOPPER	060306.3	1	AP1000723	4014486471151
0	STRAW CHOPPER DRIVE	060306.3	1	AP1000723	4014486471151
0	STRAW CHOPPER	060306.4	1	AP1000723	4014486471151
0	STRAW CHOPPER DRIVE	060306.4	1	AP1000723	4014486471151
0	STRAW WALKER	506671.0	1	AP1000506	4014486467840
0	STRAW WALKER DRIVE	506671.0	1	AP1000506	4014486467840
0	STRAW WALKER	506671.1	1	AP1000506	4014486467840
0	STRAW WALKER DRIVE	506671.1	1	AP1000506	4014486467840
0	SHAKER SHOE - 203 MEGA	603017.0	2	AP1000833	4014486472592
0	SIEVE PAN	603017.0	2	AP1000833	4014486472592
0	FOR TWO-STAGE DRIVE	609823.0	1	AP1001225	4014486497809
0	ACCELERATOR	661031.2	1	AP1001564	4014486484663
0	PRE - ACCELERATOR	661031.2	1	AP1001564	4014486484663
0	AT 2 STAGE DRIVE	661220.0	1	AP1003340	4014486488807
0	FOR TWO-STAGE DRIVE	661220.0	1	AP1003340	4014486488807
0	GROUND DRIVE	661362.0	1	AP1001951	4014486490565
0	SHAFT BASE 1463 MM	661378.0	2	AP1000852	4014486472820
0	SHAFTS DISTANCE 1463 MM	661378.0	2	AP1000852	4014486472820
1	TRAVEL DRIVE	661362.0	1	AP1001951	4014486490565
1	GROUND DRIVE	661362.1	1	AP1001951	4014486490565
1	TRAVEL DRIVE	661362.1	1	AP1001951	4014486490565
1	TRAVEL DRIVE	661362.2	1	AP1005038	4044978005182
1	AT MERCEDES OM 366 LA WITH 163 KW	661451.0	1	AP1001958	4014486490664
2	HYDRAULIC PUMP	767057.1	1	AP1003333	4014486462609
2	HYDRAULIC PUMP DRIVE	767057.1	1	AP1003333	4014486462609
3	AIR CONDITIONER	629908.0	1	AP1002332	4014486478631
3	AIR CONDITIONING COMPRESSOR DRIVE	629908.0	1	AP1002332	4014486478631
3	AIR CONDITIONER	629908.1	1	AP1002332	4014486478631
3	AIR CONDITIONING COMPRESSOR DRIVE	629908.1	1	AP1002332	4014486478631
4	GRAIN TANK	629769.0	1	AP1002699	4014486484922
4	TANK UNLOADER DRIVE	629769.0	1	AP1002699	4014486484922
4	GRAIN TANK	629769.1	1	AP1002699	4014486484922
4	TANK UNLOADER DRIVE	629769.1	1	AP1002699	4014486484922
4	AT MERCEDES OM 366 LA WITH 163 KW	660409.0	1	AP1001575	4014486484809
5	AT MERCEDES OM 366 LA WITH 163 KW	644404.0	1	AP1003354	4014486490763
5	AT MERCEDES OM 366 LA WITH 163 KW	644404.1	1	AP1003354	4014486490763
5	THRESHING MACHINE	661458.0	1	AP1001957	4014486490640
5	THRESHING MECHANISM	661458.0	1	AP1001957	4014486490640
6	COUNTERSHAFT DRIVE	603337.0	1	AP1000662	4014486470260
6	GEAR	603337.0	1	AP1000662	4014486470260
7		603336.0	1	AP1000478	4014486467499
7	FOR DOMINATOR 203 MEGA	603336.0	1	AP1000478	4014486467499
7		603336.1	1	AP1000478	4014486467499
7	FOR DOMINATOR 203 MEGA	603336.1	1	AP1000478	4014486467499
7		644141.1	1	AP1000476	4014486467475
8	FEED RAKE DRIVE	644447.0	1	AP1000420	4014486466836
11	AT 3.9M - 5.1M	670224.1	1	AP1001158	4014486497380
11	REEL DRIVE BY 3.9 M - 5.1 M CUTTING TABLE	670224.1	1	AP1001158	4014486497380
13	FOR MULTIMASTER	629142.0	1	AP1001954	4014486490596
13	FOR CORN PICKER	692149.0	1	AP1001852	4014486488869
13	FOR MAIZE PICKER	692149.0	1	AP1001852	4014486488869



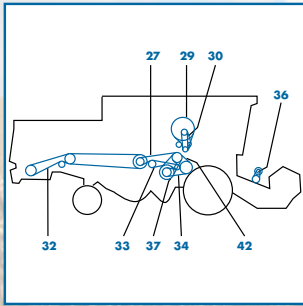
CLAAS

NR.	DRIVE	PART NUMBER	SET	AP NR.	EAN
13	FOR CORN PICKER	692150.0	1	AP1001857	4014486488920
13	FOR MAIZE PICKER	692150.0	1	AP1001857	4014486488920
16	AT 6.0M - 7.5M	671013.1	1	AP1000676	4014486470482
16	FOR 6.0 - 7.5 M CUTTING TABLE	671013.1	1	AP1000676	4014486470482
18	AT 3.9M - 5.1M	713506.0	1	AP1000315	4014486465310
18	KNIFE DRIVE 3.9 - 5.1 M CUTTING TABLE	713506.0	1	AP1000315	4014486465310
18	AT 3.9M - 5.1M	713506.1	1	AP1000315	4014486465310
18	KNIFE DRIVE 3.9 - 5.1 M CUTTING TABLE	713506.1	1	AP1000315	4014486465310
18	AT 3.9M - 5.1M	713506.2	1	AP1000315	4014486465310
18	KNIFE DRIVE 3.9 - 5.1 M CUTTING TABLE	713506.2	1	AP1000315	4014486465310
20	SHAFT 1306 MM	661337.0	2	AP1000845	4014486472745
20	SHAFTS DISTANCE 1306 MM	661337.0	2	AP1000845	4014486472745
20	SHAFT 1306 MM	661337.1	2	AP1000845	4014486472745
20	SHAFTS DISTANCE 1306 MM	661337.1	2	AP1000845	4014486472745
20	SHAFT BASE 1463 MM	661378.1	2	AP1000852	4014486472820
20	SHAFTS DISTANCE 1463 MM	661378.1	2	AP1000852	4014486472820
21	ACCELERATOR	661031.0	1	AP1001564	4014486484663
21	PRE - ACCELERATOR	661031.0	1	AP1001564	4014486484663
22	BLOWER - 204 MEGA	603380.1	1	AP1001080	4014486498240
22	BLOWER - 203 MEGA	671209.0	1	AP1001039	4014486496383
22	BLOWER - DOMINATOR 203 MEGA	671209.0	1	AP1001039	4014486496383
23	SHAKER SHOE - 203 MEGA	603017.3	2	AP1000833	4014486472592
23	SIEVE PAN	603017.3	2	AP1000833	4014486472592
23	SIEVE PAN	609762.0	1	AP1001713	4014486486919
24	STRAW WALKER	506671.2	1	AP1000506	4014486467840
24	STRAW WALKER DRIVE	506671.2	1	AP1000506	4014486467840
25	STRAW DISTRIBUTOR	623427.1	1	AP1000409	4014486466720
25	STRAW SPREADER	623427.1	1	AP1000409	4014486466720
27	STRAW CHOPPER	060306.2	1	AP1000723	4014486471151
27	STRAW CHOPPER DRIVE	060306.2	1	AP1000723	4014486471151
29	COOLER	661345.0	1	AP1000160	4014486461824
29	RADIATOR SCREEN	661345.0	1	AP1000160	4014486461824
30	COUNTERSHAFT DRIVE	657793.0	1	AP1000107	4014486461114
30	GEAR	657793.0	1	AP1000107	4014486461114
32	FOR CORN CHOPPER	061214.0	1	AP1000868	4014486473070
32	STRAW CHOPPER (MAIZE)	061214.0	1	AP1000868	4014486473070
32	FOR GRAIN CHOPPER FROM NO. 09350552	061353.0	1	AP1000870	4014486473094
32	FOR GRAIN CHOPPER FROM NO. 09350552	061353.1	1	AP1000870	4014486473094
32	STRAW CHOPPER (GRAIN)	061360.0	1	AP1000870	4014486473094
32	TO NO. 09350551	061360.0	1	AP1000870	4014486473094
32	STRAW CHOPPER (GRAIN)	061360.1	1	AP1000870	4014486473094
32	TO NO. 09350551	061360.1	1	AP1000870	4014486473094
33	AT 2 STAGE DRIVE	609823.0	1	AP1001225	4014486497809
35	AT 6.0M - 7.5M	670224.1	1	AP1001158	4014486497380
35	REEL DRIVE BY 6.0 M - 7.5 M CUTTING TABLE	670224.1	1	AP1001158	4014486497380
37	AIR EXHAUST	644448.0	1	AP1000139	4014486461565
37	SUCTION FAN	644448.0	1	AP1000139	4014486461565
40	CHOPPER DRIVE	695610.0	1	no AP	
40	FOR HPH - G CHOPPER	695610.0	1	no AP	
41	CHOPPER DRIVE	680334.0	1	AP1001819	4014486488364
41	FOR HPH - G CHOPPER	680334.0	1	AP1001819	4014486488364
41	CHOPPER DRIVE	680334.1	1	AP1001819	4014486488364
41	FOR HPH - G CHOPPER	680334.1	1	AP1001819	4014486488364
42	AT DOMINATOR 203 MEGA WITH N = 650 - 1500 MIN-1	644418.0	1	AP1001212	4014486497717
43	AT MERCEDES OM 366 A	133630.1	2	AP1002961	4014486495058
43	FOR MERCEDES ENGINE OM 366 LA	133635.0	2	AP1002958	4014486495782
43	AT MERCEDES OM 366 LA	133635.1	2	AP1002958	4014486495782

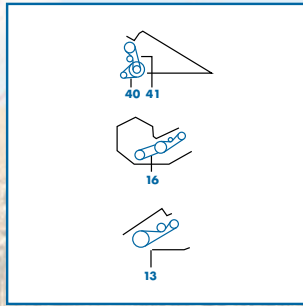


CLAAS

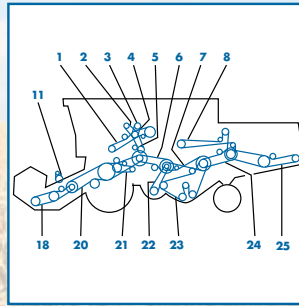
NR.	DRIVE	PART NUMBER	SET	AP NR.	EAN
43	AT PERKINS 1006.6 T	147233.1	2	AP1002575	4014486495478
	SHAKER SHOE - 203 MEGA	603017.2	2	AP1000833	4014486472592
	SIEVE PAN	603017.2	2	AP1000833	4014486472592
	AT DOMINATOR 203 MEGA WITH N = 650 - 1500 MIN-1	644418.1	1	AP1001212	4014486497717
	ACCELERATOR	661031.1	1	AP1001564	4014486484663
	PRE - ACCELERATOR	661031.1	1	AP1001564	4014486484663
	AT 2 STAGE DRIVE	661220.1	1	AP1003340	4014486488807
	FOR TWO-STAGE DRIVE	661220.1	1	AP1003340	4014486488807
	GROUND DRIVE	661362.2	1	AP1005038	4044978005182
	SHAFT BASE 1463 MM	661378.2	2	AP1000852	4014486472820
	SHAFTS DISTANCE 1463 MM	661378.2	2	AP1000852	4014486472820
	THRESHING MACHINE	661458.1	1	AP1001957	4014486490640
	THRESHING MECHANISM	661458.1	1	AP1001957	4014486490640
DOMINATOR 204 II MEGA					
0	TO NO. 93500772	060306.2	1	AP1000723	4014486471151
0	TO NO. 93500772	060306.4	1	AP1000723	4014486471151
0	STRAW WALKER	506671.0	1	AP1000506	4014486467840
0	STRAW WALKER	506671.1	1	AP1000506	4014486467840
0	RADIATOR SCREEN WITH MERCEDES OM 906 LA	545668.2	1	AP1004356	4014486714005
0	FEEDER CHANNEL	644369.1	2	AP1002873	4014486472851
0	PRE - ACCELERATOR	661031.3	1	AP1001564	4014486484663
0	FOR MULTIMASTER	661362.0	1	AP1001951	4014486490565
0	GROUND DRIVE	661362.0	1	AP1001951	4014486490565
0	AT 3.9M - 5.1M	713506.0	1	AP1000315	4014486465310
0	AT 3.9M - 5.1M	713506.2	1	AP1000315	4014486465310
1	WITH MERCEDES OM 906 LA	644016.1	1	AP1001800	4014486488104
1	GROUND DRIVE	661362.1	1	AP1001951	4014486490565
1	AT MERCEDES OM 366 LA WITH 163 KW	661451.0	1	AP1001958	4014486490664
2	HYDRAULIC PUMP WITH MERCEDES OM 906 LA	656028.0	1	AP1003335	4014486462869
2	HYDRAULIC PUMP	767057.1	1	AP1003333	4014486462609
3	AIR CONDITIONING WITH MERCEDES OM 906 LA	621903.0	1	AP1002041	4014486475166
3	AIR CONDITIONING WITH MERCEDES OM 906 LA	621903.1	1	AP1002041	4014486475166
3	AIR CONDITIONER	629908.0	1	AP1002332	4014486478631
3	AIR CONDITIONER	629908.1	1	AP1002332	4014486478631
4	WITH MERD	544166.0	1	AP1003360	4014486484830
4	GRAIN TANK	629769.0	1	AP1002699	4014486484922
4	GRAIN TANK	629769.1	1	AP1002699	4014486484922
4	AT MERCEDES OM 366 LA WITH 163 KW	660409.0	1	AP1001575	4014486484809
5	WITH MERCEDES OM 906 LA	544164.0	1	AP1001969	4014486490800
5	AT MERCEDES OM 366 LA WITH 163 KW	644404.0	1	AP1003354	4014486490763
5	AT MERCEDES OM 366 LA WITH 163 KW	644404.1	1	AP1003354	4014486490763
5	THRESHING MECHANISM	661458.0	1	AP1001957	4014486490640
6	GEAR	603337.0	1	AP1000662	4014486470260
7		644141.1	1	AP1000476	4014486467475
8	FEED RAKE DRIVE	644447.0	1	AP1000420	4014486466836
11	AT 3.9M - 5.1M	670224.1	1	AP1001158	4014486497380
13	FOR MULTIMASTER	661362.1	1	AP1001951	4014486490565
13	FOR CORN PICKER	692149.0	1	AP1001852	4014486488869
13	FOR CORN PICKER	692150.0	1	AP1001857	4014486488920
16	AT 6.0M - 7.5M	671013.1	1	AP1000676	4014486470482
20	FEEDER CHANNEL	644369.0	2	AP1002873	4014486472851
21	PRE - ACCELERATOR	661031.1	1	AP1001564	4014486484663
22	BLOWER - 204 MEGA	603380.1	1	AP1001080	4014486498240
23	SIEVE PAN	609762.0	1	AP1001713	4014486486919
24	STRAW WALKER	506671.2	1	AP1000506	4014486467840
25	STRAW SPREADER	623427.1	1	AP1000409	4014486466720



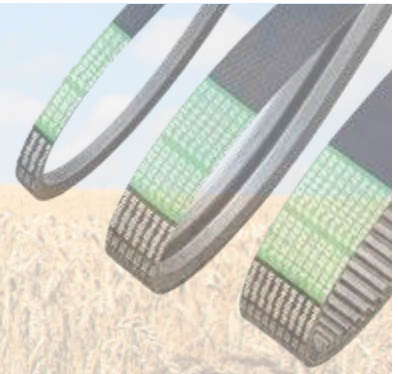
DOMINATOR 204 MEGA LEFT



DOMINATOR 204 MEGA MIDDLE



DOMINATOR 204 MEGA RIGHT



CLAAS

NR.	DRIVE	PART NUMBER	SET	AP NR.	EAN
27	TO NO. 93500772	060306.3	1	AP1000723	4014486471151
27	STRAW CHOPPER	644538.0	1	AP1001655	4014486486094
29	RADIATOR SCREEN WITH MERCEDES OM 906 LA	545668.1	1	AP1000119	4014486461305
29	RADIATOR SCREEN	661345.0	1	AP1000160	4014486461824
30	WITH MERCEDES OM 906 LA	545689.0	1	AP1003332	4014486461886
30	MERCEDES OM 366 LA	657793.0	1	AP1000107	4014486461114
30	PERKINS 1006.6 T	657793.0	1	AP1000107	4014486461114
30	MERCEDES OM 366 LA 163 KW	661244.0	1	AP1000125	4014486461374
32	FOR CORN - CHOPPER	061214.0	1	AP1000868	4014486473070
32	GRAIN	061353.0	1	AP1000870	4014486473094
32	GRAIN	061353.1	1	AP1000870	4014486473094
32	GRAIN	644539.0	1	AP1000871	4014486473100
33	AT 2 STAGE DRIVE	609823.0	1	AP1001225	4014486497809
33	AT DOMINATOR 204 MEGA WITH N = 650 - 1500 MIN-1	609823.0	1	AP1001225	4014486497809
34	AT 2 STAGE DRIVE	661220.0	1	AP1003340	4014486488807
34	AT DOMINATOR 204 MEGA WITH N = 650 - 1500 MIN-1	661220.0	1	AP1003340	4014486488807
34	AT 2 STAGE DRIVE	661220.1	1	AP1003340	4014486488807
34	AT DOMINATOR 204 MEGA WITH N = 650 - 1500 MIN-1	661220.1	1	AP1003340	4014486488807
35	AT 6.0M - 7.5M	670224.1	1	AP1001158	4014486497380
37	SUCTION FAN	644448.0	1	AP1000139	4014486461565
40	FOR HPH - G CHOPPER	695610.0	1	no AP	
41	FOR HPH - G CHOPPER	680334.0	1	AP1001819	4014486488364
41	FOR HPH - G CHOPPER	680334.1	1	AP1001819	4014486488364
43	MERCEDES 366 LA (147 KW)	133635.1	2	AP1002958	4014486495782
43	MERCEDES 366 LA (163 KW)	133642.0	2	AP1003772	4014486495737
43	AT PERKINS 1006.6 T	147233.1	2	AP1002575	4014486495478
	PRE - ACCELERATOR	661031.2	1	AP1001564	4014486484663
	FOR MULTIMASTER	661362.2	1	AP1005038	4044978005182
	GROUND DRIVE	661362.2	1	AP1005038	4044978005182
	THRESHING MECHANISM	661458.1	1	AP1001957	4014486490640
	AT 3.9M - 5.1M	713506.1	1	AP1000315	4014486465310

DOMINATOR 204 MEGA

0	STRAW CHOPPER	060306.3	1	AP1000723	4014486471151
0	STRAW CHOPPER DRIVE	060306.3	1	AP1000723	4014486471151
0	STRAW CHOPPER	060306.4	1	AP1000723	4014486471151
0	STRAW CHOPPER DRIVE	060306.4	1	AP1000723	4014486471151
0	STRAW WALKER	506671.0	1	AP1000506	4014486467840
0	STRAW WALKER DRIVE	506671.0	1	AP1000506	4014486467840
0	STRAW WALKER	506671.1	1	AP1000506	4014486467840
0	STRAW WALKER DRIVE	506671.1	1	AP1000506	4014486467840
0	FOR TWO-STAGE DRIVE	609823.0	1	AP1001225	4014486497809
0	ACCELERATOR	661031.2	1	AP1001564	4014486484663
0	PRE - ACCELERATOR	661031.2	1	AP1001564	4014486484663
0	AT 2 STAGE DRIVE	661220.0	1	AP1003340	4014486488807
0	AT DOMINATOR 204 MEGA WITH N = 650 - 1500 MIN-1	661220.0	1	AP1003340	4014486488807
0	FOR TWO-STAGE DRIVE	661220.0	1	AP1003340	4014486488807
0	N=650-1500 RPM	661220.0	1	AP1003340	4014486488807
0	GROUND DRIVE	661362.0	1	AP1001951	4014486490565
0	TRAVEL DRIVE	661362.0	1	AP1001951	4014486490565
0	SHAFT BASE 1463 MM	661378.0	2	AP1000852	4014486472820
0	SHAFTS DISTANCE 1463 MM	661378.0	2	AP1000852	4014486472820
1	GROUND DRIVE	661362.1	1	AP1001951	4014486490565
1	TRAVEL DRIVE	661362.1	1	AP1001951	4014486490565
1	TRAVEL DRIVE	661362.2	1	AP1005038	4044978005182
1	AT MERCEDES OM 366 LA WITH 163 KW	661451.0	1	AP1001958	4014486490664
2	HYDRAULIC PUMP	767057.1	1	AP1003333	4014486462609



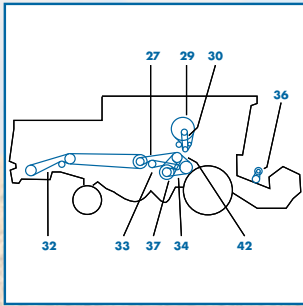
CLAAS

NR.	DRIVE	PART NUMBER	SET	AP NR.	EAN
2	HYDRAULIC PUMP DRIVE	767057.1	1	AP1003333	4014486462609
3	AIR CONDITIONER	629908.0	1	AP1002332	4014486478631
3	AIR CONDITIONING COMPRESSOR DRIVE	629908.0	1	AP1002332	4014486478631
3	AIR CONDITIONER	629908.1	1	AP1002332	4014486478631
3	AIR CONDITIONING COMPRESSOR DRIVE	629908.1	1	AP1002332	4014486478631
4	GRAIN TANK	629769.0	1	AP1002699	4014486484922
4	TANK UNLOADER DRIVE	629769.0	1	AP1002699	4014486484922
4	GRAIN TANK	629769.1	1	AP1002699	4014486484922
4	TANK UNLOADER DRIVE	629769.1	1	AP1002699	4014486484922
4	AT MERCEDES OM 366 LA WITH 163 KW	660409.0	1	AP1001575	4014486484809
5	AT MERCEDES OM 366 LA WITH 163 KW	644404.0	1	AP1003354	4014486490763
5	AT MERCEDES OM 366 LA WITH 163 KW	644404.1	1	AP1003354	4014486490763
5	THRESHING MACHINE	661458.0	1	AP1001957	4014486490640
5	THRESHING MECHANISM	661458.0	1	AP1001957	4014486490640
6	COUNTERSHAFT DRIVE	603337.0	1	AP1000662	4014486470260
6	GEAR	603337.0	1	AP1000662	4014486470260
7	FOR DOMINATOR 204 MEGA	644141.1	1	AP1000476	4014486467475
7	GRAIN ELEVATOR - 204 MEGA FROM NO. 09350930	644141.1	1	AP1000476	4014486467475
8	FEED RAKE DRIVE	644447.0	1	AP1000420	4014486466836
11	AT 3.9M - 5.1M	670224.1	1	AP1001158	4014486497380
11	REEL DRIVE BY 3.9 M - 5.1 M CUTTING TABLE	670224.1	1	AP1001158	4014486497380
13	FOR MULTIMASTER	629142.0	1	AP1001954	4014486490596
13	FOR CORN PICKER	692149.0	1	AP1001852	4014486488869
13	FOR MAIZE PICKER	692149.0	1	AP1001852	4014486488869
13	FOR CORN PICKER	692150.0	1	AP1001857	4014486488920
13	FOR MAIZE PICKER	692150.0	1	AP1001857	4014486488920
16	AT 6.0M - 7.5M	671013.1	1	AP1000676	4014486470482
16	FOR 6.0 - 7.5 M CUTTING TABLE	671013.1	1	AP1000676	4014486470482
18	AT 3.9M - 5.1M	713506.0	1	AP1000315	4014486465310
18	KNIFE DRIVE 3.9 - 5.1 M CUTTING TABLE	713506.0	1	AP1000315	4014486465310
18	AT 3.9M - 5.1M	713506.1	1	AP1000315	4014486465310
18	KNIFE DRIVE 3.9 - 5.1 M CUTTING TABLE	713506.1	1	AP1000315	4014486465310
18	AT 3.9M - 5.1M	713506.2	1	AP1000315	4014486465310
18	KNIFE DRIVE 3.9 - 5.1 M CUTTING TABLE	713506.2	1	AP1000315	4014486465310
20	SHAFT 1306 MM	661337.0	2	AP1000845	4014486472745
20	SHAFTS DISTANCE 1306 MM	661337.0	2	AP1000845	4014486472745
20	SHAFT 1306 MM	661337.1	2	AP1000845	4014486472745
20	SHAFTS DISTANCE 1306 MM	661337.1	2	AP1000845	4014486472745
20	SHAFT BASE 1463 MM	661378.1	2	AP1000852	4014486472820
20	SHAFTS DISTANCE 1463 MM	661378.1	2	AP1000852	4014486472820
21	ACCELERATOR	661031.0	1	AP1001564	4014486484663
21	PRE - ACCELERATOR	661031.0	1	AP1001564	4014486484663
22	BLOWER - 204 MEGA	603380.1	1	AP1001080	4014486498240
22	BLOWER - DOMINATOR 204 MEGA	603380.1	1	AP1001080	4014486498240
23	SHAKER SHOE - DOMINATOR 204 MEGA	609762.0	1	AP1001713	4014486486919
23	SIEVE PAN	609762.0	1	AP1001713	4014486486919
24	STRAW WALKER	506671.2	1	AP1000506	4014486467840
24	STRAW WALKER DRIVE	506671.2	1	AP1000506	4014486467840
25	STRAW DISTRIBUTOR	623427.1	1	AP1000409	4014486466720
25	STRAW SPREADER	623427.1	1	AP1000409	4014486466720
27	STRAW CHOPPER	060306.2	1	AP1000723	4014486471151
27	STRAW CHOPPER DRIVE	060306.2	1	AP1000723	4014486471151
29	COOLER	661345.0	1	AP1000160	4014486461824
29	RADIATOR SCREEN	661345.0	1	AP1000160	4014486461824
30	COUNTERSHAFT DRIVE	657793.0	1	AP1000107	4014486461114
30	GEAR	657793.0	1	AP1000107	4014486461114
32	FOR CORN CHOPPER	061214.0	1	AP1000868	4014486473070

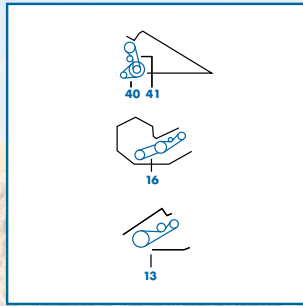


CLAAS

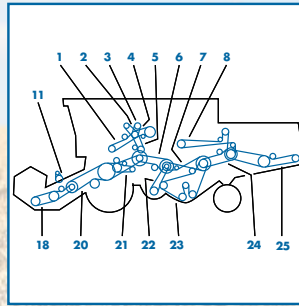
NR.	DRIVE	PART NUMBER	SET	AP NR.	EAN
32	STRAW CHOPPER (MAIZE)	061214.0	1	AP1000868	4014486473070
32	FOR GRAIN CHOPPER FROM NO. 09350552	061353.0	1	AP1000870	4014486473094
32	FOR GRAIN CHOPPER FROM NO. 09350552	061353.1	1	AP1000870	4014486473094
32	STRAW CHOPPER (GRAIN)	061360.0	1	AP1000870	4014486473094
32	TO NO. 09350551	061360.0	1	AP1000870	4014486473094
32	STRAW CHOPPER (GRAIN)	061360.1	1	AP1000870	4014486473094
32	TO NO. 09350551	061360.1	1	AP1000870	4014486473094
33	AT 2 STAGE DRIVE	609823.0	1	AP1001225	4014486497809
33	AT DOMINATOR 204 MEGA WITH N = 650 - 1500 MIN-1	609823.0	1	AP1001225	4014486497809
33	DOMINATOR 204 MEGA N=650-1500 RPM	609823.0	1	AP1001225	4014486497809
35	AT 6.0M - 7.5M	670224.1	1	AP1001158	4014486497380
35	REEL DRIVE BY 6.0 M - 7.5 M CUTTING TABLE	670224.1	1	AP1001158	4014486497380
37	AIR EXHAUST	644448.0	1	AP1000139	4014486461565
37	SUCTION FAN	644448.0	1	AP1000139	4014486461565
40	CHOPPER DRIVE	695610.0	1	no AP	
40	FOR HPH - G CHOPPER	695610.0	1	no AP	
41	CHOPPER DRIVE	680334.0	1	AP1001819	4014486488364
41	FOR HPH - G CHOPPER	680334.0	1	AP1001819	4014486488364
41	CHOPPER DRIVE	680334.1	1	AP1001819	4014486488364
41	FOR HPH - G CHOPPER	680334.1	1	AP1001819	4014486488364
42	DOMINATOR 204 MEGA N=650-1500 RPM	644418.0	1	AP1001212	4014486497717
43	AT MERCEDES OM 366 A	133630.1	2	AP1002961	4014486495058
43	FOR MERCEDES ENGINE OM 366 LA	133635.0	2	AP1002958	4014486495782
43	AT MERCEDES OM 366 LA	133635.1	2	AP1002958	4014486495782
43	AT PERKINS 1006.6 T	147233.1	2	AP1002575	4014486495478
	DOMINATOR 204 MEGA N=650-1500 RPM	644418.1	1	AP1001212	4014486497717
	ACCELERATOR	661031.1	1	AP1001564	4014486484663
	PRE - ACCELERATOR	661031.1	1	AP1001564	4014486484663
	AT 2 STAGE DRIVE	661220.1	1	AP1003340	4014486488807
	AT DOMINATOR 204 MEGA WITH N = 650 - 1500 MIN-1	661220.1	1	AP1003340	4014486488807
	DOMINATOR 204 MEGA N=650-1500 RPM	661220.1	1	AP1003340	4014486488807
	FOR TWO-STAGE DRIVE	661220.1	1	AP1003340	4014486488807
	GROUND DRIVE	661362.2	1	AP1005038	4044978005182
	SHAFT BASE 1463 MM	661378.2	2	AP1000852	4014486472820
	SHAFTS DISTANCE 1463 MM	661378.2	2	AP1000852	4014486472820
	THRESHING MACHINE	661458.1	1	AP1001957	4014486490640
	THRESHING MECHANISM	661458.1	1	AP1001957	4014486490640
DOMINATOR 208 II MEGA					
0	TO NO. 94501058	060306.2	1	AP1000723	4014486471151
0	TO NO. 94501058	060306.4	1	AP1000723	4014486471151
0	STRAW WALKER	506671.0	1	AP1000506	4014486467840
0	STRAW WALKER	506671.1	1	AP1000506	4014486467840
0	OM 441 A HYDRAULIC PUMP	633030.0	1	AP1000220	4014486462838
0	FEEDER CHANNEL	644368.1	2	AP1000858	4014486472929
0	ACCELERATOR	661031.3	1	AP1001564	4014486484663
0	AT 4.5M - 5.1M	713506.0	1	AP1000315	4014486465310
0	AT 4.5M - 5.1M	713506.2	1	AP1000315	4014486465310
1	OM 441 A GROUND DRIVE	661239.1	1	AP1001244	4014486491999
1	OM 366 LA GROUND DRIVE	661451.0	1	AP1001958	4014486490664
2	OM 441 A HYDRAULIC PUMP	633030.2	1	AP1000220	4014486462838
2	OM 366 LA HYDRAULIC PUMP	767057.1	1	AP1003333	4014486462609
3	OM 366 LA AIR CONDITIONING	629908.0	1	AP1002332	4014486478631
3	OM 366 LA AIR CONDITIONING	629908.1	1	AP1002332	4014486478631
3	OM 441 A AIR CONDITIONING	661114.0	1	AP1002336	4014486478686
4	OM 366 LA GRAIN TANK	660409.0	1	AP1001575	4014486484809
4	OM 441 A GRAIN TANK	661093.0	1	AP1001581	4014486484885



DOMINATOR 208 MEGA LEFT



DOMINATOR 208 MEGA MIDDLE



DOMINATOR 208 MEGA RIGHT

CLAAS

NR.	DRIVE	PART NUMBER	SET	AP NR.	EAN
5	OM 441 A THRESHING MECHANISM	644403.0	1	AP1001247	4014486492033
5	OM 366 LA THRESHING MECHANISM	644404.0	1	AP1003354	4014486490763
5	OM 366 LA THRESHING MECHANISM	644404.1	1	AP1003354	4014486490763
6	GEAR	603337.0	1	AP1000662	4014486470260
7		644141.1	1	AP1000476	4014486467475
8	FEED RAKE DRIVE	644447.0	1	AP1000420	4014486466836
11	AT 4.5M - 5.1M	670224.1	1	AP1001158	4014486497380
13	FOR MULTIMASTER	629142.0	1	AP1001954	4014486490596
13	FOR CORN PICKER	692149.0	1	AP1001852	4014486488869
13	FOR CORN PICKER	692150.0	1	AP1001857	4014486488920
16	AT 6.0M - 9M	671013.1	1	AP1000676	4014486470482
20	FEEDER CHANNEL	644368.0	2	AP1000858	4014486472929
21	ACCELERATOR	661031.1	1	AP1001564	4014486484663
22	FAN	603380.1	1	AP1001080	4014486498240
23	SIEVE BOX	609762.0	1	AP1001713	4014486486919
24	STRAW WALKER	506671.2	1	AP1000506	4014486467840
25	STRAW SPREADER	623427.1	1	AP1000409	4014486466720
27	TO NO. 94501058	060306.3	1	AP1000723	4014486471151
27	STRAW CHOPPER FROM NO. 94501059	644538.0	1	AP1001655	4014486486094
30	RADIATOR SCREEN	661345.0	1	AP1000160	4014486461824
31	OM 366 LA INTERMEDIATE DRIVE	661244.0	1	AP1000125	4014486461374
31	OM 441 A INTERMEDIATE DRIVE	661245.0	1	AP1003377	4014486461435
33	FOR CORN CHOPPER	061214.0	1	AP1000868	4014486473070
33	FOR GRAIN CHOPPER TO NO. 94501058	061353.0	1	AP1000870	4014486473094
33	FOR GRAIN CHOPPER TO NO. 94501058	061353.1	1	AP1000870	4014486473094
33	FOR GRAIN CHOPPER FROM NO. 94501059	644539.0	1	AP1000871	4014486473100
34	DRUM GEAR	609823.0	1	AP1001225	4014486497809
35	DRUM DRIVE	661220.0	1	AP1003340	4014486488807
35	DRUM DRIVE	661220.1	1	AP1003340	4014486488807
36	AT 6.0M - 9M	670224.1	1	AP1001158	4014486497380
40	FOR HPH - G CHOPPER	695610.0	1	no AP	
41	FOR HPH - G CHOPPER	680334.0	1	AP1001819	4014486488364
41	FOR HPH - G CHOPPER	680334.1	1	AP1001819	4014486488364
42	TO NO. 94501058	644448.0	1	AP1000139	4014486461565
42	FOR SUCTION BLOWER FROM NO. 94501059	644537.0	1	AP1000140	4014486461572
	OM 441 A HYDRAULIC PUMP	633030.1	1	AP1000220	4014486462838
	ACCELERATOR	661031.2	1	AP1001564	4014486484663
	AT 4.5M - 5.1M	713506.1	1	AP1000315	4014486465310

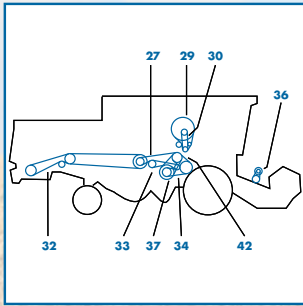
DOMINATOR 208 MEGA

0	STRAW CHOPPER	060306.2	1	AP1000723	4014486471151
0	STRAW CHOPPER DRIVE	060306.3	1	AP1000723	4014486471151
0	STRAW CHOPPER	060306.4	1	AP1000723	4014486471151
0	STRAW CHOPPER DRIVE	060306.4	1	AP1000723	4014486471151
0	STRAW WALKER	506671.0	1	AP1000506	4014486467840
0	STRAW WALKER DRIVE	506671.0	1	AP1000506	4014486467840
0	STRAW WALKER	506671.1	1	AP1000506	4014486467840
0	STRAW WALKER DRIVE	506671.1	1	AP1000506	4014486467840
0	HYDRAULIC PUMP DRIVE (OM 441 A)	633030.0	1	AP1000220	4014486462838
0	OM 441 A HYDRAULIC PUMP	633030.0	1	AP1000220	4014486462838
0	ACCELERATOR	661031.2	1	AP1001564	4014486484663
0	AT 2 STAGE DRIVE	661220.0	1	AP1003340	4014486488807
0	AT N 650 - 1500 MIN-1	661220.0	1	AP1003340	4014486488807
0	FEEDER CHANNEL	661378.0	2	AP1000852	4014486472820
0	FEEDER HOUSING SHAFTS DISTANCE 1306MM	661378.0	2	AP1000852	4014486472820
0	AT 4.5M - 5.1M	713506.0	1	AP1000315	4014486465310
0	AT 4.5M - 5.1M	713506.2	1	AP1000315	4014486465310

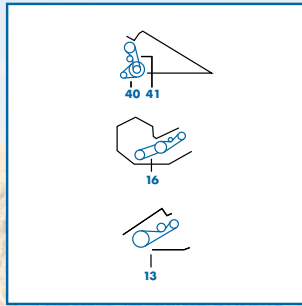


CLAAS

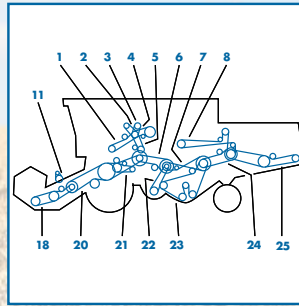
NR.	DRIVE	PART NUMBER	SET	AP NR.	EAN
1	TRAVEL DRIVE - OM 441 A	661239.0	1	AP1001244	4014486491999
1	OM 441 A GROUND DRIVE	661239.1	1	AP1001244	4014486491999
1	OM 366 LA GROUND DRIVE	661451.0	1	AP1001958	4014486490664
1	TRAVEL DRIVE - OM 366 LA	661451.0	1	AP1001958	4014486490664
2	HYDRAULIC PUMP DRIVE (OM 441 A)	633030.2	1	AP1000220	4014486462838
2	OM 441 A HYDRAULIC PUMP	633030.2	1	AP1000220	4014486462838
2	HYDRAULIC PUMP DRIVE (OM 366)	767057.1	1	AP1003333	4014486462609
2	OM 366 LA HYDRAULIC PUMP	767057.1	1	AP1003333	4014486462609
3	AIR CONDITIONING COMPRESSOR DRIVE - OM 366 LA	629908.0	1	AP1002332	4014486478631
3	OM 366 LA AIR CONDITIONING	629908.0	1	AP1002332	4014486478631
3	AIR CONDITIONING COMPRESSOR DRIVE - OM 366 LA	629908.1	1	AP1002332	4014486478631
3	OM 366 LA AIR CONDITIONING	629908.1	1	AP1002332	4014486478631
3	AIR CONDITIONING COMPRESSOR DRIVE - OM 441 A	661114.0	1	AP1002336	4014486478686
3	OM 441 A AIR CONDITIONING	661114.0	1	AP1002336	4014486478686
4	OM 366 LA GRAIN TANK	660409.0	1	AP1001575	4014486484809
4	TANK UNLOADING - OM 366 LA	660409.0	1	AP1001575	4014486484809
4	OM 441 A GRAIN TANK	661093.0	1	AP1001581	4014486484885
4	TANK UNLOADING - OM 441 A	661093.0	1	AP1001581	4014486484885
5	OM 441 A THRESHING MECHANISM	644403.0	1	AP1001247	4014486492033
5	THRESHING MACHINE - OM 441 A	644403.0	1	AP1001247	4014486492033
5	OM 366 LA THRESHING MECHANISM	644404.0	1	AP1003354	4014486490763
5	THRESHING MACHINE - OM 366 LA	644404.0	1	AP1003354	4014486490763
5	OM 366 LA THRESHING MECHANISM	644404.1	1	AP1003354	4014486490763
5	THRESHING MACHINE - OM 366 LA	644404.1	1	AP1003354	4014486490763
6	COUNTERSHAFT DRIVE	603337.0	1	AP1000662	4014486470260
6	GEAR	603337.0	1	AP1000662	4014486470260
7		644141.1	1	AP1000476	4014486467475
8		644447.0	1	AP1000420	4014486466836
8	FEED RAKE DRIVE	644447.0	1	AP1000420	4014486466836
11	AT 4.5M - 5.1M	670224.1	1	AP1001158	4014486497380
11	REEL DRIVE BY 4.5 M - 5.1 M	670224.1	1	AP1001158	4014486497380
13	FOR MULTIMASTER	629142.0	1	AP1001954	4014486490596
13	FOR CORN PICKER	692149.0	1	AP1001852	4014486488869
13	FOR MULTIMASTER	692149.0	1	AP1001852	4014486488869
13	FOR CORN PICKER	692150.0	1	AP1001857	4014486488920
13	FOR MULTIMASTER	692150.0	1	AP1001857	4014486488920
16	AT 6.0M - 9.0M	671013.1	1	AP1000676	4014486470482
16	REEL DRIVE BY 6.0 M - 9.0 M	671013.1	1	AP1000676	4014486470482
18	REEL DRIVE BY 4.5 M - 5.1 M	713506.0	1	AP1000315	4014486465310
18	REEL DRIVE BY 4.5 M - 5.1 M	713506.1	1	AP1000315	4014486465310
18	REEL DRIVE BY 4.5 M - 5.1 M	713506.2	1	AP1000315	4014486465310
20	SHAFTS DISTANCE 1463MM	644399.0	1	AP1000855	4014486472882
20	FEEDER CHANNEL	661378.1	2	AP1000852	4014486472820
20	FEEDER HOUSING SHAFTS DISTANCE 1306MM	661378.1	2	AP1000852	4014486472820
20	FEEDER HOUSING SHAFTS DISTANCE 1306MM	661378.2	2	AP1000852	4014486472820
21	ACCELERATOR	661031.0	1	AP1001564	4014486484663
21	FEEDER DRUM	661031.0	1	AP1001564	4014486484663
21	FEEDER DRUM	661031.1	1	AP1001564	4014486484663
21	FEEDER DRUM	661031.2	1	AP1001564	4014486484663
22	BLOWER DRIVE	603380.1	1	AP1001080	4014486498240
22	FAN	603380.1	1	AP1001080	4014486498240
23	SHAKER SHOE DRIVE	609762.0	1	AP1001713	4014486486919
23	SIEVE BOX	609762.0	1	AP1001713	4014486486919
24	STRAW WALKER	506671.2	1	AP1000506	4014486467840
24	STRAW WALKER DRIVE	506671.2	1	AP1000506	4014486467840
25	STRAW DISTRIBUTOR	623427.1	1	AP1000409	4014486466720
25	STRAW SPREADER	623427.1	1	AP1000409	4014486466720



DOMINATOR 218 LEFT



DOMINATOR 218 MIDDLE



DOMINATOR 218 RIGHT

CLAAS

NR.	DRIVE	PART NUMBER	SET	AP NR.	EAN
27	STRAW CHOPPER DRIVE	060306.2	1	AP1000723	4014486471151
27	STRAW CHOPPER	060306.3	1	AP1000723	4014486471151
30	COOLER	661345.0	1	AP1000160	4014486461824
30	RADIATOR SCREEN	661345.0	1	AP1000160	4014486461824
31	COUNTERSHAFT - OM 366 LA	661244.0	1	AP1000125	4014486461374
31	OM 366 LA INTERMEDIATE DRIVE	661244.0	1	AP1000125	4014486461374
31	COUNTERSHAFT - OM 441 A	661245.0	1	AP1003377	4014486461435
31	OM 441 A INTERMEDIATE DRIVE	661245.0	1	AP1003377	4014486461435
33	FOR CORN CHOPPER	061214.0	1	AP1000868	4014486473070
33	STRAW CHOPPER (MAIZE)	061214.0	1	AP1000868	4014486473070
33	FOR GRAIN CHOPPER	061353.0	1	AP1000870	4014486473094
33	STRAW CHOPPER (GRAIN)	061353.0	1	AP1000870	4014486473094
33	FOR GRAIN CHOPPER	061353.1	1	AP1000870	4014486473094
33	STRAW CHOPPER (GRAIN)	061353.1	1	AP1000870	4014486473094
34	DRUM GEAR	609823.0	1	AP1001225	4014486497809
34	DRUM-DRIVE	609823.0	1	AP1001225	4014486497809
35	AT N 510 - 1400 MIN-1	661298.0	1	AP1001630	4014486485738
35	REEL DRIVE BY N=510-1400 RPM	661298.0	1	AP1001630	4014486485738
36	AT 6.0M - 9.0M	670224.1	1	AP1001158	4014486497380
36	REEL DRIVE BY 6.0 M - 9.0 M	670224.1	1	AP1001158	4014486497380
40	CHOPPER DRIVE	695610.0	1	no AP	
40	FOR HPH - G CHOPPER	695610.0	1	no AP	
41	CHOPPER DRIVE	680334.0	1	AP1001819	4014486488364
41	FOR HPH - G CHOPPER	680334.0	1	AP1001819	4014486488364
41	CHOPPER DRIVE	680334.1	1	AP1001819	4014486488364
41	FOR HPH - G CHOPPER	680334.1	1	AP1001819	4014486488364
42	FOR AIR EXHAUST	644448.0	1	AP1000139	4014486461565
42	FOR SUCTION BLOWER	644448.0	1	AP1000139	4014486461565
	HYDRAULIC PUMP DRIVE (OM 441 A)	633030.1	1	AP1000220	4014486462838
	OM 441 A HYDRAULIC PUMP	633030.1	1	AP1000220	4014486462838
	ACCELERATOR	661031.1	1	AP1001564	4014486484663
	AT 2 STAGE DRIVE	661220.1	1	AP1003340	4014486488807
	AT N 650 - 1500 MIN-1	661220.1	1	AP1003340	4014486488807
	REEL DRIVE BY 2 - STEP GEAR	661220.1	1	AP1003340	4014486488807
	REEL DRIVE BY N=650-1500 RPM	661220.1	1	AP1003340	4014486488807
	FEEDER CHANNEL	661378.2	2	AP1000852	4014486472820
0	REEL BY 2 - STEP GEAR	661220.0	1	AP1003340	4014486488807
0	CHOPPER DRIVE	695610.0	1	no AP	

DOMINATOR 218

0	STRAW CHOPPER	060306.2	1	AP1000723	4014486471151
0	AT 2 STAGE DRIVE	661220.0	1	AP1003340	4014486488807
0	AT N 650 - 1500 MIN-1	661220.0	1	AP1003340	4014486488807
0	RADIATOR SCREEN	661345.0	1	AP1000160	4014486461824
0	AT 4.5M - 5.1M	713506.2	1	AP1000315	4014486465310
1	OM 441 A GROUND DRIVE	661239.1	1	AP1001244	4014486491999
1	OM 366 LA GROUND DRIVE	661451.0	1	AP1001958	4014486490664
2	OM 441 A HYDRAULIC PUMP	633030.2	1	AP1000220	4014486462838
2	OM 366 LA HYDRAULIC PUMP	767057.1	1	AP1003333	4014486462609
3	OM 366 LA AIR CONDITIONING	629908.0	1	AP1002332	4014486478631
3	OM 366 LA AIR CONDITIONING	629908.1	1	AP1002332	4014486478631
3	OM 441 A AIR CONDITIONING	661114.0	1	AP1002336	4014486478686
4	OM 366 LA GRAIN TANK	660409.0	1	AP1001575	4014486484809
4	OM 441 A GRAIN TANK	661093.0	1	AP1001581	4014486484885
5	OM 441 A THRESHING MECHANISM	644403.0	1	AP1001247	4014486492033
5	OM 366 LA THRESHING MECHANISM	644404.0	1	AP1003354	4014486490763
5	OM 366 LA THRESHING MECHANISM	644404.1	1	AP1003354	4014486490763



CLAAS

NR.	DRIVE	PART NUMBER	SET	AP NR.	EAN
6	GEAR	603337.0	1	AP1000662	4014486470260
7		644141.1	1	AP1000476	4014486467475
8	FEED RAKE DRIVE	644447.0	1	AP1000420	4014486466836
11	AT 4.5M - 5.1M	670224.1	1	AP1001158	4014486497380
13	FOR MULTIMASTER	629142.0	1	AP1001954	4014486490596
13	FOR CORN PICKER	692149.0	1	AP1001852	4014486488869
13	FOR CORN PICKER	692150.0	1	AP1001857	4014486488920
16	AT 6.0M - 9.0M	671013.1	1	AP1000676	4014486470482
20	SHAFTS DISTANCE 1463MM	644399.0	1	AP1000855	4014486472882
20	FEEDER HOUSING SHAFTS DISTANCE 1306MM	661378.1	2	AP1000852	4014486472820
21	ACCELERATOR	661031.0	1	AP1001564	4014486484663
22	FAN	603380.1	1	AP1001080	4014486498240
23	SIEVE BOX	609762.0	1	AP1001713	4014486486919
24	STRAW WALKER	506671.2	1	AP1000506	4014486467840
25	STRAW SPREADER	623427.1	1	AP1000409	4014486466720
27	STRAW CHOPPER	060306.3	1	AP1000723	4014486471151
31	OM 366 LA INTERMEDIATE DRIVE	661244.0	1	AP1000125	4014486461374
31	OM 441 A INTERMEDIATE DRIVE	661245.0	1	AP1003377	4014486461435
33	FOR CORN CHOPPER	061214.0	1	AP1000868	4014486473070
33	FOR GRAIN CHOPPER	061353.0	1	AP1000870	4014486473094
33	FOR GRAIN CHOPPER	061353.1	1	AP1000870	4014486473094
34	DRUM GEAR	609823.0	1	AP1001225	4014486497809
35	AT N 510 - 1400 MIN-1	661298.0	1	AP1001630	4014486485738
36	AT 6.0M - 9.0M	670224.1	1	AP1001158	4014486497380
40	FOR HPH - G CHOPPER	695610.0	1	no AP	
41	FOR HPH - G CHOPPER	680334.0	1	AP1001819	4014486488364
41	FOR HPH - G CHOPPER	680334.1	1	AP1001819	4014486488364
42	FOR SUCTION BLOWER	644448.0	1	AP1000139	4014486461565
DOMINATOR 218 II MEGA					
0	TO NO. 94501058	060306.2	1	AP1000723	4014486471151
0	TO NO. 94501058	060306.4	1	AP1000723	4014486471151
0	STRAW WALKER	506671.0	1	AP1000506	4014486467840
0	STRAW WALKER	506671.1	1	AP1000506	4014486467840
0	OM 441 A HYDRAULIC PUMP	633030.0	1	AP1000220	4014486462838
0	FEEDER CHANNEL	644368.1	2	AP1000858	4014486472929
0	ACCELERATOR	661031.3	1	AP1001564	4014486484663
0	RADIATOR SCREEN	661345.0	1	AP1000160	4014486461824
0	AT 4.5M - 5.1M	713506.0	1	AP1000315	4014486465310
0	AT 4.5M - 5.1M	713506.2	1	AP1000315	4014486465310
1	OM 441 A GROUND DRIVE	661239.1	1	AP1001244	4014486491999
1	OM 366 LA GROUND DRIVE	661451.0	1	AP1001958	4014486490664
2	OM 441 A HYDRAULIC PUMP	633030.2	1	AP1000220	4014486462838
2	OM 366 LA HYDRAULIC PUMP	767057.1	1	AP1003333	4014486462609
3	OM 366 LA AIR CONDITIONING	629908.0	1	AP1002332	4014486478631
3	OM 366 LA AIR CONDITIONING	629908.1	1	AP1002332	4014486478631
3	OM 441 A AIR CONDITIONING	661114.0	1	AP1002336	4014486478686
4	OM 366 LA GRAIN TANK	660409.0	1	AP1001575	4014486484809
4	OM 441 A GRAIN TANK	661093.0	1	AP1001581	4014486484885
5	OM 441 A THRESHING MECHANISM	644403.0	1	AP1001247	4014486492033
5	OM 366 LA THRESHING MECHANISM	644404.0	1	AP1003354	4014486490763
5	OM 366 LA THRESHING MECHANISM	644404.1	1	AP1003354	4014486490763
6	GEAR	603337.0	1	AP1000662	4014486470260
7		644141.1	1	AP1000476	4014486467475
8	FEED RAKE DRIVE	644447.0	1	AP1000420	4014486466836
11	AT 4.5M - 5.1M	670224.1	1	AP1001158	4014486497380
13	FOR MULTIMASTER	629142.0	1	AP1001954	4014486490596



CLAAS

NR.	DRIVE	PART NUMBER	SET	AP NR.	EAN
13	FOR CORN PICKER	692149.0	1	AP1001852	4014486488869
13	FOR CORN PICKER	692150.0	1	AP1001857	4014486488920
16	AT 6.0M - 9M	671013.1	1	AP1000676	4014486470482
20	FEEDER CHANNEL	644368.0	2	AP1000858	4014486472929
21	ACCELERATOR	661031.1	1	AP1001564	4014486484663
22	FAN	603380.1	1	AP1001080	4014486498240
23	SIEVE BOX	609762.0	1	AP1001713	4014486486919
24	STRAW WALKER	506671.2	1	AP1000506	4014486467840
25	STRAW SPREADER	623427.1	1	AP1000409	4014486466720
27	TO NO. 94501058	060306.3	1	AP1000723	4014486471151
27	STRAW CHOPPER FROM NO. 94501059	644538.0	1	AP1001655	4014486486094
31	OM 366 LA INTERMEDIATE DRIVE	661244.0	1	AP1000125	4014486461374
31	OM 441 A INTERMEDIATE DRIVE	661245.0	1	AP1003377	4014486461435
33	FOR CORN CHOPPER	061214.0	1	AP1000868	4014486473070
33	FOR GRAIN CHOPPER TO NO. 94501058	061353.0	1	AP1000870	4014486473094
33	FOR GRAIN CHOPPER TO NO. 94501058	061353.1	1	AP1000870	4014486473094
33	FOR GRAIN CHOPPER FROM NO. 94501059	644539.0	1	AP1000871	4014486473100
34	DRUM GEAR	609823.0	1	AP1001225	4014486497809
35	DRUM DRIVE	661220.0	1	AP1003340	4014486488807
35	DRUM DRIVE	661220.1	1	AP1003340	4014486488807
36	AT 6.0M - 9M	670224.1	1	AP1001158	4014486497380
40	FOR HPH - G CHOPPER	695610.0	1	no AP	
41	FOR HPH - G CHOPPER	680334.0	1	AP1001819	4014486488364
41	FOR HPH - G CHOPPER	680334.1	1	AP1001819	4014486488364
42	TO NO. 94501058	644448.0	1	AP1000139	4014486461565
42	FOR SUCTION BLOWER FROM NO. 94501059	644537.0	1	AP1000140	4014486461572
	OM 441 A HYDRAULIC PUMP	633030.1	1	AP1000220	4014486462838
	ACCELERATOR	661031.2	1	AP1001564	4014486484663
	AT 4.5M - 5.1M	713506.1	1	AP1000315	4014486465310

DOMINATOR 218 MEGA

0	STRAW CHOPPER DRIVE	060306.3	1	AP1000723	4014486471151
0	STRAW CHOPPER	060306.4	1	AP1000723	4014486471151
0	STRAW CHOPPER DRIVE	060306.4	1	AP1000723	4014486471151
0	STRAW WALKER	506671.0	1	AP1000506	4014486467840
0	STRAW WALKER DRIVE	506671.0	1	AP1000506	4014486467840
0	STRAW WALKER	506671.1	1	AP1000506	4014486467840
0	STRAW WALKER DRIVE	506671.1	1	AP1000506	4014486467840
0	HYDRAULIC PUMP DRIVE (OM 441 A)	633030.0	1	AP1000220	4014486462838
0	OM 441 A HYDRAULIC PUMP	633030.0	1	AP1000220	4014486462838
0	SHAFTS DISTANCE 1463MM	644399.0	1	AP1000855	4014486472882
0	ACCELERATOR	661031.2	1	AP1001564	4014486484663
0	OM 441 A GROUND DRIVE	661239.1	1	AP1001244	4014486491999
0	FEEDER CHANNEL	661378.0	2	AP1000852	4014486472820
0	FEEDER HOUSING SHAFTS DISTANCE 1306MM	661378.0	2	AP1000852	4014486472820
0	AT 4.5M - 5.1M	713506.0	1	AP1000315	4014486465310
1	TRAVEL DRIVE - OM 441 A	661239.0	1	AP1001244	4014486491999
1	TRAVEL DRIVE - OM 366 LA	661451.0	1	AP1001958	4014486490664
2	HYDRAULIC PUMP DRIVE (OM 441 A)	633030.2	1	AP1000220	4014486462838
2	HYDRAULIC PUMP DRIVE (OM 366)	767057.1	1	AP1003333	4014486462609
3	AIR CONDITIONING COMPRESSOR DRIVE - OM 366 LA	629908.0	1	AP1002332	4014486478631
3	AIR CONDITIONING COMPRESSOR DRIVE - OM 366 LA	629908.1	1	AP1002332	4014486478631
3	AIR CONDITIONING COMPRESSOR DRIVE - OM 441 A	661114.0	1	AP1002336	4014486478686
4	TANK UNLOADING - OM 366 LA	660409.0	1	AP1001575	4014486484809
4	TANK UNLOADING - OM 441 A	661093.0	1	AP1001581	4014486484885
5	THRESHING MACHINE - OM 441 A	644403.0	1	AP1001247	4014486492033
5	THRESHING MACHINE - OM 366 LA	644404.0	1	AP1003354	4014486490763



CLAAS

NR.	DRIVE	PART NUMBER	SET	AP NR.	EAN
5	THRESHING MACHINE - OM 366 LA	644404.1	1	AP1003354	4014486490763
6	COUNTERSHAFT DRIVE	603337.0	1	AP1000662	4014486470260
7		644141.1	1	AP1000476	4014486467475
8		644447.0	1	AP1000420	4014486466836
11	REEL DRIVE BY 4.5 M - 5.1 M	670224.1	1	AP1001158	4014486497380
13	FOR MULTIMASTER	629142.0	1	AP1001954	4014486490596
13	FOR MULTIMASTER	692149.0	1	AP1001852	4014486488869
13	FOR MULTIMASTER	692150.0	1	AP1001857	4014486488920
16	REEL DRIVE BY 6.0 M - 9.0 M	671013.1	1	AP1000676	4014486470482
18	REEL DRIVE BY 4.5 M - 5.1 M	713506.0	1	AP1000315	4014486465310
18	REEL DRIVE BY 4.5 M - 5.1 M	713506.1	1	AP1000315	4014486465310
18	REEL DRIVE BY 4.5 M - 5.1 M	713506.2	1	AP1000315	4014486465310
20	FEEDER CHANNEL	661378.1	2	AP1000852	4014486472820
20	FEEDER HOUSING SHAFTS DISTANCE 1306MM	661378.2	2	AP1000852	4014486472820
21	FEEDER DRUM	661031.0	1	AP1001564	4014486484663
21	FEEDER DRUM	661031.1	1	AP1001564	4014486484663
21	FEEDER DRUM	661031.2	1	AP1001564	4014486484663
22	BLOWER DRIVE	603380.1	1	AP1001080	4014486498240
23	SHAKER SHOE DRIVE	609762.0	1	AP1001713	4014486486919
24	STRAW WALKER DRIVE	506671.2	1	AP1000506	4014486467840
25	STRAW DISTRIBUTOR	623427.1	1	AP1000409	4014486466720
27	STRAW CHOPPER DRIVE	060306.2	1	AP1000723	4014486471151
30	COOLER	661345.0	1	AP1000160	4014486461824
31	COUNTERSHAFT - OM 366 LA	661244.0	1	AP1000125	4014486461374
31	COUNTERSHAFT - OM 441 A	661245.0	1	AP1003377	4014486461435
33	STRAW CHOPPER (MAIZE)	061214.0	1	AP1000868	4014486473070
33	STRAW CHOPPER (GRAIN)	061353.0	1	AP1000870	4014486473094
33	STRAW CHOPPER (GRAIN)	061353.1	1	AP1000870	4014486473094
34	DRUM-DRIVE	609823.0	1	AP1001225	4014486497809
35	REEL DRIVE BY N=510-1400 RPM	661298.0	1	AP1001630	4014486485738
36	REEL DRIVE BY 6.0 M - 9.0 M	670224.1	1	AP1001158	4014486497380
40	CHOPPER DRIVE	695610.0	1	no AP	
41	CHOPPER DRIVE	680334.0	1	AP1001819	4014486488364
41	CHOPPER DRIVE	680334.1	1	AP1001819	4014486488364
42	FOR AIR EXHAUST	644448.0	1	AP1000139	4014486461565
	HYDRAULIC PUMP DRIVE (OM 441 A)	633030.1	1	AP1000220	4014486462838
	OM 441 A HYDRAULIC PUMP	633030.1	1	AP1000220	4014486462838
	ACCELERATOR	661031.1	1	AP1001564	4014486484663
	AT 2 STAGE DRIVE	661220.1	1	AP1003340	4014486488807
	AT N 650 - 1500 MIN-1	661220.1	1	AP1003340	4014486488807
	REEL DRIVE BY 2 - STEP GEAR	661220.1	1	AP1003340	4014486488807
	REEL DRIVE BY N=650-1500 RPM	661220.1	1	AP1003340	4014486488807
	FEEDER CHANNEL	661378.2	2	AP1000852	4014486472820
0	REEL BY 2 - STEP GEAR	661220.0	1	AP1003340	4014486488807
0	CHOPPER DRIVE	695610.0	1	no AP	
DOMINATOR 350 MEGA					
0	FOR N=519 RPM	066034.0	1	AP1000302	4014486465037
0		506671.0	1	AP1000506	4014486467840
0		506671.1	1	AP1000506	4014486467840
0		545668.2	1	AP1004356	4014486714005
0		644369.1	2	AP1002873	4014486472851
0		755070.0	2	AP1002795	4014486463279
0		755070.2	2	AP1002795	4014486463279
1		644016.1	1	AP1001800	4014486488104
2	FOR THRESHING	629002.0	1	AP1003395	4014486462715
2	FOR THRESHING	629002.1	1	AP1003395	4014486462715



CLAAS

NR.	DRIVE	PART NUMBER	SET	AP NR.	EAN
2		656028.0	1	AP1003335	4014486462869
3		621903.0	1	AP1002041	4014486475166
3		621903.1	1	AP1002041	4014486475166
4		544166.0	1	AP1003360	4014486484830
5		544164.0	1	AP1001969	4014486490800
6		603337.0	1	AP1000662	4014486470260
6	FOR THRESHING	667238.0	1	AP1000693	4014486470741
7		644141.1	1	AP1000476	4014486467475
8		644447.0	1	AP1000420	4014486466836
9		623427.1	1	AP1000409	4014486466720
10		755070.1	2	AP1002795	4014486463279
11	FOR N=660 RPM	785341.0	1	AP1000295	4014486464870
12		644369.0	2	AP1002873	4014486472851
13		644539.0	1	AP1000871	4014486473100
14		603380.1	1	AP1001080	4014486498240
15		609762.0	1	AP1001713	4014486486919
17		644538.0	1	AP1001655	4014486486094
19		506671.2	1	AP1000506	4014486467840
20		545689.0	1	AP1003332	4014486461886
21		545668.1	1	AP1000119	4014486461305
22		644537.0	1	AP1000140	4014486461572
23	TWO STAGE DRIVE	661427.0	1	AP1001228	4014486497847
24	DRUM DRIVE VARIABLE SPEED (N=650-1500 RPM)	661220.0	1	AP1003340	4014486488807
24	DRUM DRIVE VARIABLE SPEED (N=650-1500 RPM)	661220.1	1	AP1003340	4014486488807

DOMINATOR 350 MEGA TYP 835

0	N = 519 MIN-1	066034.0	1	AP1000302	4014486465037
0		506671.0	1	AP1000506	4014486467840
0		506671.1	1	AP1000506	4014486467840
0	TO NO. 83500255	545668.2	1	AP1004356	4014486714005
0	ALTERNATOR FROM NR. 83500255	545954.0	1	AP1002646	4014486480849
0		644369.1	2	AP1002873	4014486472851
0		755070.0	2	AP1002795	4014486463279
0		755070.2	2	AP1002795	4014486463279
0	ALTERNATOR FROM NO. 83500256	796998.0	1	AP1003945	4014486481969
1		644016.1	1	AP1001800	4014486488104
2	WHEN THRESHING	629002.0	1	AP1003395	4014486462715
2	WHEN THRESHING	629002.1	1	AP1003395	4014486462715
2		656028.0	1	AP1003335	4014486462869
3		621903.0	1	AP1002041	4014486475166
3		621903.1	1	AP1002041	4014486475166
4		544166.0	1	AP1003360	4014486484830
5		544164.0	1	AP1001969	4014486490800
6		603337.0	1	AP1000662	4014486470260
6	WHEN THRESHING	667238.0	1	AP1000693	4014486470741
7		644141.1	1	AP1000476	4014486467475
8		644447.0	1	AP1000420	4014486466836
9		623427.1	1	AP1000409	4014486466720
10		755070.1	2	AP1002795	4014486463279
11	N = 660 MIN-1	785341.0	1	AP1000295	4014486464870
12		644369.0	2	AP1002873	4014486472851
13		544172.0	1	AP1001745	4014486487299
14		603380.1	1	AP1001080	4014486498240
15		609762.0	1	AP1001713	4014486486919
17		644538.0	1	AP1001655	4014486486094
19		506671.2	1	AP1000506	4014486467840
20	TO NO. 83500255	545689.0	1	AP1003332	4014486461886



CLAAS

NR.	DRIVE	PART NUMBER	SET	AP NR.	EAN
20	FROM NO. 83500256	821734.2	1	AP1000154	4014486461763
21	TO NO. 83500255	545668.1	1	AP1000119	4014486461305
22		644537.0	1	AP1000140	4014486461572
23	TWO STAGE DRIVE	661427.0	1	AP1001228	4014486497847
24	DRUM VARIABLE SPEED N = 650 - 1500	661220.0	1	AP1003340	4014486488807
24	DRUM VARIABLE SPEED N = 650 - 1500	661220.1	1	AP1003340	4014486488807
DOMINATOR 350 MEGA TYP 836					
0	N = 519 MIN-1	066034.0	1	AP1000302	4014486465037
0		506671.0	1	AP1000506	4014486467840
0		506671.1	1	AP1000506	4014486467840
0	TO NO. 83500255	545668.2	1	AP1004356	4014486714005
0	ALTERNATOR FROM NR. 83500255	545954.0	1	AP1002646	4014486480849
0		644369.1	2	AP1002873	4014486472851
0		755070.0	2	AP1002795	4014486463279
0		755070.2	2	AP1002795	4014486463279
0	ALTERNATOR FROM NO. 83500256	796998.0	1	AP1003945	4014486481969
1		644016.1	1	AP1001800	4014486488104
2	WHEN THRESHING	629002.0	1	AP1003395	4014486462715
2	WHEN THRESHING	629002.1	1	AP1003395	4014486462715
2		656028.0	1	AP1003335	4014486462869
3		621903.0	1	AP1002041	4014486475166
3		621903.1	1	AP1002041	4014486475166
4		544166.0	1	AP1003360	4014486484830
5		544164.0	1	AP1001969	4014486490800
6		603337.0	1	AP1000662	4014486470260
6	WHEN THRESHING	667238.0	1	AP1000693	4014486470741
7		644141.1	1	AP1000476	4014486467475
8		644447.0	1	AP1000420	4014486466836
9		623427.1	1	AP1000409	4014486466720
10		755070.1	2	AP1002795	4014486463279
11	N = 660 MIN-1	785341.0	1	AP1000295	4014486464870
12		644369.0	2	AP1002873	4014486472851
13		544172.0	1	AP1001745	4014486487299
14		603380.1	1	AP1001080	4014486498240
15		609762.0	1	AP1001713	4014486486919
17		644538.0	1	AP1001655	4014486486094
19		506671.2	1	AP1000506	4014486467840
20	TO NO. 83500255	545689.0	1	AP1003332	4014486461886
20	FROM NO. 83500256	821734.2	1	AP1000154	4014486461763
21	TO NO. 83500255	545668.1	1	AP1000119	4014486461305
22		644537.0	1	AP1000140	4014486461572
23	TWO STAGE DRIVE	661427.0	1	AP1001228	4014486497847
24	DRUM VARIABLE SPEED DRIVE N = 650 - 1500	661220.0	1	AP1003340	4014486488807
24	DRUM VARIABLE SPEED DRIVE N = 650 - 1500	661220.1	1	AP1003340	4014486488807
DOMINATOR 360 MEGA					
0		066034.0	1	AP1000302	4014486465037
0		506671.0	1	AP1000506	4014486467840
0		506671.1	1	AP1000506	4014486467840
0	TO NR. 84500261	545668.2	1	AP1004356	4014486714005
0	ALTERNATOR DRIVE (TILL NR. 84500261)	545954.0	1	AP1002646	4014486480849
0		644368.1	2	AP1000858	4014486472929
0		755070.0	2	AP1002795	4014486463279
0		755070.2	2	AP1002795	4014486463279
0	ALTERNATOR DRIVE (FROM NR. 84500262)	796998.0	1	AP1003945	4014486481969
1		544049.1	2	AP1001561	4014486484618



CLAAS

NR.	DRIVE	PART NUMBER	SET	AP NR.	EAN
2		629002.0	1	AP1003395	4014486462715
2		629002.1	1	AP1003395	4014486462715
2		656028.0	1	AP1003335	4014486462869
3		621903.0	1	AP1002041	4014486475166
3		621903.1	1	AP1002041	4014486475166
4		544166.0	1	AP1003360	4014486484830
5		544164.0	1	AP1001969	4014486490800
6		603337.0	1	AP1000662	4014486470260
6		667238.0	1	AP1000693	4014486470741
7		644141.1	1	AP1000476	4014486467475
8		644447.0	1	AP1000420	4014486466836
9		623427.1	1	AP1000409	4014486466720
10		755070.1	2	AP1002795	4014486463279
11		785341.0	1	AP1000295	4014486464870
12		644368.0	2	AP1000858	4014486472929
13		544172.0	1	AP1001745	4014486487299
14		603380.1	1	AP1001080	4014486498240
15		609762.0	1	AP1001713	4014486486919
17		644538.0	1	AP1001655	4014486486094
19		506671.2	1	AP1000506	4014486467840
20	TO NR. 84500261	545689.0	1	AP1003332	4014486461886
20	FROM NR. 84500262	821734.2	1	AP1000154	4014486461763
21	TO NR. 84500261	545668.1	1	AP1000119	4014486461305
22		644537.0	1	AP1000140	4014486461572
23	TO NR. 84500386 HIGH - LOW SPEED	609823.0	1	AP1001225	4014486497809
23	FROM NR. 84500387	661427.0	1	AP1001228	4014486497847
24	DRUM DRIVE VARIABLE SPEED (N=650-1500 RPM)	661220.0	1	AP1003340	4014486488807
24	DRUM DRIVE VARIABLE SPEED (N=650-1500 RPM)	661220.1	1	AP1003340	4014486488807

DOMINATOR 360 MEGA TYP 845

0	N = 519 MIN-1	066034.0	1	AP1000302	4014486465037
0		506671.0	1	AP1000506	4014486467840
0		506671.1	1	AP1000506	4014486467840
0	TO NO. 84500261	545668.2	1	AP1004356	4014486714005
0	ALTERNATOR FROM NR. 84500261	545954.0	1	AP1002646	4014486480849
0		644368.1	2	AP1000858	4014486472929
0		755070.0	2	AP1002795	4014486463279
0		755070.2	2	AP1002795	4014486463279
0	ALTERNATOR FROM NO. 84500262	796998.0	1	AP1003945	4014486481969
1	1 SET = 2 BELTS	544049.1	2	AP1001561	4014486484618
2	WHEN THRESHING	629002.0	1	AP1003395	4014486462715
2	WHEN THRESHING	629002.1	1	AP1003395	4014486462715
2		656028.0	1	AP1003335	4014486462869
3		621903.0	1	AP1002041	4014486475166
3		621903.1	1	AP1002041	4014486475166
4		544166.0	1	AP1003360	4014486484830
5		544164.0	1	AP1001969	4014486490800
6		603337.0	1	AP1000662	4014486470260
6	WHEN THRESHING	667238.0	1	AP1000693	4014486470741
7		644141.1	1	AP1000476	4014486467475
8		644447.0	1	AP1000420	4014486466836
9		623427.1	1	AP1000409	4014486466720
10		755070.1	2	AP1002795	4014486463279
11	N = 660 MIN-1	785341.0	1	AP1000295	4014486464870
12		644368.0	2	AP1000858	4014486472929
13		544172.0	1	AP1001745	4014486487299
14		603380.1	1	AP1001080	4014486498240



CLAAS

NR.	DRIVE	PART NUMBER	SET	AP NR.	EAN
DOMINATOR 360 MEGA TYP 846					
0	N = 519 MIN-1	066034.0	1	AP1000302	4014486465037
0		506671.0	1	AP1000506	4014486467840
0		506671.1	1	AP1000506	4014486467840
0	TO NO. 84500261	545668.2	1	AP1004356	4014486714005
0	ALTERNATOR FROM NR. 84500261	545954.0	1	AP1002646	4014486480849
0		644368.1	2	AP1000858	4014486472929
0		755070.0	2	AP1002795	4014486463279
0		755070.2	2	AP1002795	4014486463279
0	ALTERNATOR FROM NO. 84500262	796998.0	1	AP1003945	4014486481969
1	1 SET = 2 BELTS	544049.1	2	AP1001561	4014486484618
2	WHEN THRESHING	629002.0	1	AP1003395	4014486462715
2	WHEN THRESHING	629002.1	1	AP1003395	4014486462715
2		656028.0	1	AP1003335	4014486462869
3		621903.0	1	AP1002041	4014486475166
3		621903.1	1	AP1002041	4014486475166
4		544166.0	1	AP1003360	4014486484830
5		544164.0	1	AP1001969	4014486490800
6		603337.0	1	AP1000662	4014486470260
6	WHEN THRESHING	667238.0	1	AP1000693	4014486470741
7		644141.1	1	AP1000476	4014486467475
8		644447.0	1	AP1000420	4014486466836
9		623427.1	1	AP1000409	4014486466720
10		755070.1	2	AP1002795	4014486463279
11		785341.0	1	AP1000295	4014486464870
12		644368.0	2	AP1000858	4014486472929
13		544172.0	1	AP1001745	4014486487299
14		603380.1	1	AP1001080	4014486498240
15		609762.0	1	AP1001713	4014486486919
17		644538.0	1	AP1001655	4014486486094
19		506671.2	1	AP1000506	4014486467840
20	TO NO. 84500261	545689.0	1	AP1003332	4014486461886
20	FROM NO. 84500262	821734.2	1	AP1000154	4014486461763
21	TO NO. 84500261	545668.1	1	AP1000119	4014486461305
22		644537.0	1	AP1000140	4014486461572
23	TO NO. 84500386 HIGH - LOW SPEED RANGE TRANSMISSION	609823.0	1	AP1001225	4014486497809
23	FROM NO. 84500387	661427.0	1	AP1001228	4014486497847
24	DRUM VARIABLE SPEED DRIVE N = 650 - 1500	661220.0	1	AP1003340	4014486488807
24	DRUM VARIABLE SPEED DRIVE N = 650 - 1500	661220.1	1	AP1003340	4014486488807
DOMINATOR 360 MEGA TYP C12					
0	N = 519 MIN-1	066034.0	1	AP1000302	4014486465037
0		506671.0	1	AP1000506	4014486467840
0		506671.1	1	AP1000506	4014486467840
0	TO NO. 84500261	545668.2	1	AP1004356	4014486714005
0	ALTERNATOR FROM NR. 84500261	545954.0	1	AP1002646	4014486480849
0		644368.1	2	AP1000858	4014486472929
0		755070.0	2	AP1002795	4014486463279
0		755070.2	2	AP1002795	4014486463279
0	ALTERNATOR FROM NO. 84500262	796998.0	1	AP1003945	4014486481969
1	1 SET = 2 BELTS	544049.1	2	AP1001561	4014486484618
2	WHEN THRESHING	629002.0	1	AP1003395	4014486462715
2	WHEN THRESHING	629002.1	1	AP1003395	4014486462715
2		656028.0	1	AP1003335	4014486462869
3		621903.0	1	AP1002041	4014486475166
3		621903.1	1	AP1002041	4014486475166



CLAAS

NR.	DRIVE	PART NUMBER	SET	AP NR.	EAN
4		544166.0	1	AP1003360	4014486484830
5		544164.0	1	AP1001969	4014486490800
6		603337.0	1	AP1000662	4014486470260
6	WHEN THRESHING	667238.0	1	AP1000693	4014486470741
7		644141.1	1	AP1000476	4014486467475
8		644447.0	1	AP1000420	4014486466836
9		623427.1	1	AP1000409	4014486466720
10		755070.1	2	AP1002795	4014486463279
11	N = 660 MIN-1	785341.0	1	AP1000295	4014486464870
12		644368.0	2	AP1000858	4014486472929
13		544172.0	1	AP1001745	4014486487299
14		603380.1	1	AP1001080	4014486498240
15		609762.0	1	AP1001713	4014486486919
17		644538.0	1	AP1001655	4014486486094
19		506671.2	1	AP1000506	4014486467840
20	TO NO. 84500261	545689.0	1	AP1003332	4014486461886
20	FROM NO. 84500262	821734.2	1	AP1000154	4014486461763
21	TO NO. 84500261	545668.1	1	AP1000119	4014486461305
22		644537.0	1	AP1000140	4014486461572
23	TO NO. 84500386 HIGH - LOW SPEED RANGE TRANSMISSION	609823.0	1	AP1001225	4014486497809
23	FROM NO. 84500387	661427.0	1	AP1001228	4014486497847
24	DRUM VARIABLE SPEED DRIVE N = 650 - 1500	661220.0	1	AP1003340	4014486488807
24	DRUM VARIABLE SPEED DRIVE N = 650 - 1500	661220.1	1	AP1003340	4014486488807
DOMINATOR 370					
0		066034.0	1	AP1000302	4014486465037
0	ALTERNATOR DRIVE (TILL NR. 84500261)	545954.0	1	AP1002646	4014486480849
0	ALTERNATOR DRIVE (FROM NR. 84500262)	796998.0	1	AP1003945	4014486481969
1		544049.1	2	AP1001561	4014486484618
2		629002.0	1	AP1003395	4014486462715
2		629002.1	1	AP1003395	4014486462715
2		656028.0	1	AP1003335	4014486462869
3		621903.0	1	AP1002041	4014486475166
3		621903.1	1	AP1002041	4014486475166
4		544166.0	1	AP1003360	4014486484830
5		544164.0	1	AP1001969	4014486490800
6		603337.0	1	AP1000662	4014486470260
6		667238.0	1	AP1000693	4014486470741
7		644141.1	1	AP1000476	4014486467475
8		644447.0	1	AP1000420	4014486466836
9		623427.1	1	AP1000409	4014486466720
10		755070.1	2	AP1002795	4014486463279
11		785341.0	1	AP1000295	4014486464870
12		644368.0	2	AP1000858	4014486472929
13		544172.0	1	AP1001745	4014486487299
14		603380.1	1	AP1001080	4014486498240
15		609762.0	1	AP1001713	4014486486919
17		644538.0	1	AP1001655	4014486486094
19		506671.2	1	AP1000506	4014486467840
20	TO NR. 84500261	545689.0	1	AP1003332	4014486461886
20	FROM NR. 84500262	821734.2	1	AP1000154	4014486461763
21	TO NR. 84500261	545668.1	1	AP1000119	4014486461305
22		644537.0	1	AP1000140	4014486461572
23	TO NR. 84500386 HIGH - LOW SPEED	609823.0	1	AP1001225	4014486497809
23	FROM NR. 84500387	661427.0	1	AP1001228	4014486497847
24	DRUM DRIVE VARIABLE SPEED (N=650-1500 RPM)	661220.0	1	AP1003340	4014486488807
24	DRUM DRIVE VARIABLE SPEED (N=650-1500 RPM)	661220.1	1	AP1003340	4014486488807



CLAAS

NR.	DRIVE	PART NUMBER	SET	AP NR.	EAN
DOMINATOR 370 MEGA					
0		066034.0	1	AP1000302	4014486465037
0		506671.0	1	AP1000506	4014486467840
0		506671.1	1	AP1000506	4014486467840
0		506671.2	1	AP1000506	4014486467840
0		544049.1	2	AP1001561	4014486484618
0		544166.0	1	AP1003360	4014486484830
0		544172.0	1	AP1001745	4014486487299
0	TO NR. 84500261	545668.1	1	AP1000119	4014486461305
0	TO NR. 84500261	545668.2	1	AP1004356	4014486714005
0	TO NR. 84500261	545689.0	1	AP1003332	4014486461886
0	ALTERNATOR DRIVE (TILL NR. 84500261)	545954.0	1	AP1002646	4014486480849
0		603337.0	1	AP1000662	4014486470260
0		603380.1	1	AP1001080	4014486498240
0		609762.0	1	AP1001713	4014486486919
0	TO NR. 84500386 HIGH - LOW SPEED	609823.0	1	AP1001225	4014486497809
0		621903.1	1	AP1002041	4014486475166
0		623427.1	1	AP1000409	4014486466720
0		629002.1	1	AP1003395	4014486462715
0		644141.1	1	AP1000476	4014486467475
0		644368.0	2	AP1000858	4014486472929
0		644368.1	2	AP1000858	4014486472929
0		644447.0	1	AP1000420	4014486466836
0		644537.0	1	AP1000140	4014486461572
0		644538.0	1	AP1001655	4014486486094
0		656028.0	1	AP1003335	4014486462869
0	DRUM DRIVE VARIABLE SPEED (N=650-1500 RPM)	661220.1	1	AP1003340	4014486488807
0	FROM NR. 84500387	661427.0	1	AP1001228	4014486497847
0		667238.0	1	AP1000693	4014486470741
0		755070.0	2	AP1002795	4014486463279
0		755070.1	2	AP1002795	4014486463279
0		755070.2	2	AP1002795	4014486463279
0		785341.0	1	AP1000295	4014486464870
0	ALTERNATOR DRIVE (FROM NR. 84500262)	796998.0	1	AP1003945	4014486481969
0	FROM NR. 84500262	821734.2	1	AP1000154	4014486461763
5		544164.0	1	AP1001969	4014486490800

DOMINATOR 370 MEGA TYP 845					
0	N = 519 MIN-1	066034.0	1	AP1000302	4014486465037
0		506671.0	1	AP1000506	4014486467840
0		506671.1	1	AP1000506	4014486467840
0		506671.2	1	AP1000506	4014486467840
0	1 SET = 2 BELTS	544049.1	2	AP1001561	4014486484618
0		544166.0	1	AP1003360	4014486484830
0		544172.0	1	AP1001745	4014486487299
0	TO NO. 84500261	545668.1	1	AP1000119	4014486461305
0	TO NO. 84500261	545668.2	1	AP1004356	4014486714005
0	TO NO. 84500261	545689.0	1	AP1003332	4014486461886
0	ALTERNATOR FROM NR. 84500261	545954.0	1	AP1002646	4014486480849
0		603337.0	1	AP1000662	4014486470260
0		603380.1	1	AP1001080	4014486498240
0		609762.0	1	AP1001713	4014486486919
0	TO NO. 84500386 HIGH - LOW SPEED RANGE TRANSMISSION	609823.0	1	AP1001225	4014486497809
0		621903.1	1	AP1002041	4014486475166
0		623427.1	1	AP1000409	4014486466720
0	WHEN THRESHING	629002.1	1	AP1003395	4014486462715



CLAAS

NR.	DRIVE	PART NUMBER	SET	AP NR.	EAN
0		644141.1	1	AP1000476	4014486467475
0		644368.0	2	AP1000858	4014486472929
0		644368.1	2	AP1000858	4014486472929
0		644447.0	1	AP1000420	4014486466836
0		644537.0	1	AP1000140	4014486461572
0		644538.0	1	AP1001655	4014486486094
0		656028.0	1	AP1003335	4014486462869
0	DRUM VARIABLE SPEED DRIVE N = 650 - 1500	661220.1	1	AP1003340	4014486488807
0	FROM NO. 84500387	661427.0	1	AP1001228	4014486497847
0	WHEN THRESHING	667238.0	1	AP1000693	4014486470741
0		755070.0	2	AP1002795	4014486463279
0		755070.1	2	AP1002795	4014486463279
0		755070.2	2	AP1002795	4014486463279
0	N = 660 MIN-1	785341.0	1	AP1000295	4014486464870
0	ALTERNATOR FROM NO. 84500262	796998.0	1	AP1003945	4014486481969
0	FROM NO. 84500262	821734.2	1	AP1000154	4014486461763
5		544164.0	1	AP1001969	4014486490800
DOMINATOR 370 MEGA TYP 846					
0	N = 519 MIN-1	066034.0	1	AP1000302	4014486465037
0		506671.0	1	AP1000506	4014486467840
0		506671.1	1	AP1000506	4014486467840
0		506671.2	1	AP1000506	4014486467840
0	1 SET = 2 BELTS	544049.1	2	AP1001561	4014486484618
0		544166.0	1	AP1003360	4014486484830
0		544172.0	1	AP1001745	4014486487299
0	TO NO. 84500261	545668.1	1	AP1000119	4014486461305
0	TO NO. 84500261	545668.2	1	AP1004356	4014486714005
0	TO NO. 84500261	545689.0	1	AP1003332	4014486461886
0	ALTERNATOR FROM NR. 84500261	545954.0	1	AP1002646	4014486480849
0		603337.0	1	AP1000662	4014486470260
0		603380.1	1	AP1001080	4014486498240
0		609762.0	1	AP1001713	4014486486919
0	TO NO. 84500386 HIGH - LOW SPEED RANGE TRANSMISSION	609823.0	1	AP1001225	4014486497809
0		621903.1	1	AP1002041	4014486475166
0		623427.1	1	AP1000409	4014486466720
0	WHEN THRESHING	629002.1	1	AP1003395	4014486462715
0		644141.1	1	AP1000476	4014486467475
0		644368.0	2	AP1000858	4014486472929
0		644368.1	2	AP1000858	4014486472929
0		644447.0	1	AP1000420	4014486466836
0		644537.0	1	AP1000140	4014486461572
0		644538.0	1	AP1001655	4014486486094
0		656028.0	1	AP1003335	4014486462869
0	DRUM VARIABLE SPEED DRIVE N = 650 - 1500	661220.1	1	AP1003340	4014486488807
0	FROM NO. 84500387	661427.0	1	AP1001228	4014486497847
0	WHEN THRESHING	667238.0	1	AP1000693	4014486470741
0		755070.0	2	AP1002795	4014486463279
0		755070.1	2	AP1002795	4014486463279
0		755070.2	2	AP1002795	4014486463279
0		785341.0	1	AP1000295	4014486464870
0	ALTERNATOR FROM NO. 84500262	796998.0	1	AP1003945	4014486481969
0	FROM NO. 84500262	821734.2	1	AP1000154	4014486461763
5		544164.0	1	AP1001969	4014486490800
DOMINATOR 370 MEGA TYP C12					
0	N = 519 MIN-1	066034.0	1	AP1000302	4014486465037



CLAAS

NR.	DRIVE	PART NUMBER	SET	AP NR.	EAN
0		506671.0	1	AP1000506	4014486467840
0		506671.1	1	AP1000506	4014486467840
0		506671.2	1	AP1000506	4014486467840
0	1 SET = 2 BELTS	544049.1	2	AP1001561	4014486484618
0		544166.0	1	AP1003360	4014486484830
0		544172.0	1	AP1001745	4014486487299
0	TO NO. 84500261	545668.1	1	AP1000119	4014486461305
0	TO NO. 84500261	545668.2	1	AP1004356	4014486714005
0	TO NO. 84500261	545689.0	1	AP1003332	4014486461886
0	ALTERNATOR TILL NR. 84500261	545954.0	1	AP1002646	4014486480849
0		603337.0	1	AP1000662	4014486470260
0		603380.1	1	AP1001080	4014486498240
0		609762.0	1	AP1001713	4014486486919
0	TO NO. 84500386 HIGH - LOW SPEED RANGE TRANSMISSION	609823.0	1	AP1001225	4014486497809
0		621903.1	1	AP1002041	4014486475166
0		623427.1	1	AP1000409	4014486466720
0	WHEN THRESHING	629002.1	1	AP1003395	4014486462715
0		644141.1	1	AP1000476	4014486467475
0		644368.0	2	AP1000858	4014486472929
0		644368.1	2	AP1000858	4014486472929
0		644447.0	1	AP1000420	4014486466836
0		644537.0	1	AP1000140	4014486461572
0		644538.0	1	AP1001655	4014486486094
0		656028.0	1	AP1003335	4014486462869
0	DRUM VARIABLE SPEED DRIVE N = 650 - 1500	661220.1	1	AP1003340	4014486488807
0	FROM NO. 84500387	661427.0	1	AP1001228	4014486497847
0	WHEN THRESHING	667238.0	1	AP1000693	4014486470741
0		755070.0	2	AP1002795	4014486463279
0		755070.1	2	AP1002795	4014486463279
0		755070.2	2	AP1002795	4014486463279
0	N = 660 MIN-1	785341.0	1	AP1000295	4014486464870
0	ALTERNATOR FROM NO. 84500262	796998.0	1	AP1003945	4014486481969
0	FROM NO. 84500262	821734.2	1	AP1000154	4014486461763
5		544164.0	1	AP1001969	4014486490800

DOMINATOR 370 TYP 845

0	N = 519 MIN-1	066034.0	1	AP1000302	4014486465037
0	ALTERNATOR FROM NR. 84500261	545954.0	1	AP1002646	4014486480849
0	ALTERNATOR FROM NO. 84500262	796998.0	1	AP1003945	4014486481969
1	1 SET = 2 BELTS	544049.1	2	AP1001561	4014486484618
2	WHEN THRESHING	629002.0	1	AP1003395	4014486462715
2	WHEN THRESHING	629002.1	1	AP1003395	4014486462715
2		656028.0	1	AP1003335	4014486462869
3		621903.0	1	AP1002041	4014486475166
3		621903.1	1	AP1002041	4014486475166
4		544166.0	1	AP1003360	4014486484830
5		544164.0	1	AP1001969	4014486490800
6		603337.0	1	AP1000662	4014486470260
6	WHEN THRESHING	667238.0	1	AP1000693	4014486470741
7		644141.1	1	AP1000476	4014486467475
8		644447.0	1	AP1000420	4014486466836
9		623427.1	1	AP1000409	4014486466720
10		755070.1	2	AP1002795	4014486463279
11	N = 660 MIN-1	785341.0	1	AP1000295	4014486464870
12		644368.0	2	AP1000858	4014486472929
13		544172.0	1	AP1001745	4014486487299
14		603380.1	1	AP1001080	4014486498240



CLAAS

NR.	DRIVE	PART NUMBER	SET	AP NR.	EAN
15		609762.0	1	AP1001713	4014486486919
17		644538.0	1	AP1001655	4014486486094
19		506671.2	1	AP1000506	4014486467840
20	TO NO. 84500261	545689.0	1	AP1003332	4014486461886
20	FROM NO. 84500262	821734.2	1	AP1000154	4014486461763
21	TO NO. 84500261	545668.1	1	AP1000119	4014486461305
22		644537.0	1	AP1000140	4014486461572
23	TO NO. 84500386 HIGH - LOW SPEED RANGE TRANSMISSION	609823.0	1	AP1001225	4014486497809
23	FROM NO. 84500387	661427.0	1	AP1001228	4014486497847
24	DRUM VARIABLE SPEED DRIVE N = 650 - 1500	661220.0	1	AP1003340	4014486488807
24	DRUM VARIABLE SPEED DRIVE N = 650 - 1500	661220.1	1	AP1003340	4014486488807

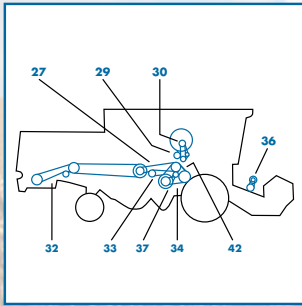
DOMINATOR 370 TYP 846

0	N = 519 MIN-1	066034.0	1	AP1000302	4014486465037
0	ALTERNATOR FROM NR. 84500261	545954.0	1	AP1002646	4014486480849
0	ALTERNATOR FROM NO. 84500262	796998.0	1	AP1003945	4014486481969
1	1 SET = 2 BELTS	544049.1	2	AP1001561	4014486484618
2	WHEN THRESHING	629002.0	1	AP1003395	4014486462715
2	WHEN THRESHING	629002.1	1	AP1003395	4014486462715
2		656028.0	1	AP1003335	4014486462869
3		621903.0	1	AP1002041	4014486475166
3		621903.1	1	AP1002041	4014486475166
4		544166.0	1	AP1003360	4014486484830
5		544164.0	1	AP1001969	4014486490800
6		603337.0	1	AP1000662	4014486470260
6	WHEN THRESHING	667238.0	1	AP1000693	4014486470741
7		644141.1	1	AP1000476	4014486467475
8		644447.0	1	AP1000420	4014486466836
9		623427.1	1	AP1000409	4014486466720
10		755070.1	2	AP1002795	4014486463279
11		785341.0	1	AP1000295	4014486464870
12		644368.0	2	AP1000858	4014486472929
13		544172.0	1	AP1001745	4014486487299
14		603380.1	1	AP1001080	4014486498240
15		609762.0	1	AP1001713	4014486486919
17		644538.0	1	AP1001655	4014486486094
19		506671.2	1	AP1000506	4014486467840
20	TO NO. 84500261	545689.0	1	AP1003332	4014486461886
20	FROM NO. 84500262	821734.2	1	AP1000154	4014486461763
21	TO NO. 84500261	545668.1	1	AP1000119	4014486461305
22		644537.0	1	AP1000140	4014486461572
23	TO NO. 84500386 HIGH - LOW SPEED RANGE TRANSMISSION	609823.0	1	AP1001225	4014486497809
23	FROM NO. 84500387	661427.0	1	AP1001228	4014486497847
24	DRUM VARIABLE SPEED DRIVE N = 650 - 1500	661220.0	1	AP1003340	4014486488807
24	DRUM VARIABLE SPEED DRIVE N = 650 - 1500	661220.1	1	AP1003340	4014486488807

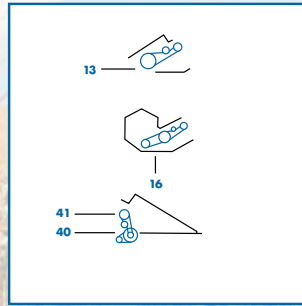


CLAAS

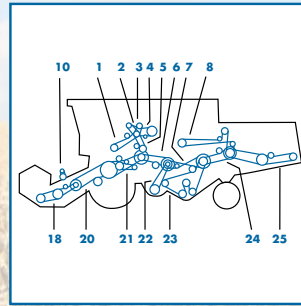
NR.	DRIVE	PART NUMBER	SET	AP NR.	EAN
DOMINATOR 370 TYP C12					
0	N = 519 MIN-1	066034.0	1	AP1000302	4014486465037
0	ALTERNATOR TILL NR. 84500261	545954.0	1	AP1002646	4014486480849
0		644538.0	1	AP1001655	4014486486094
0	ALTERNATOR FROM NO. 84500262	796998.0	1	AP1003945	4014486481969
1	1 SET = 2 BELTS	544049.1	2	AP1001561	4014486484618
2	WHEN THRESHING	629002.0	1	AP1003395	4014486462715
2	WHEN THRESHING	629002.1	1	AP1003395	4014486462715
2		656028.0	1	AP1003335	4014486462869
3		621903.0	1	AP1002041	4014486475166
3		621903.1	1	AP1002041	4014486475166
4		544166.0	1	AP1003360	4014486484830
5		544164.0	1	AP1001969	4014486490800
6		603337.0	1	AP1000662	4014486470260
6	WHEN THRESHING	667238.0	1	AP1000693	4014486470741
7		644141.1	1	AP1000476	4014486467475
8		644447.0	1	AP1000420	4014486466836
9		623427.1	1	AP1000409	4014486466720
10		755070.1	2	AP1002795	4014486463279
11	N = 660 MIN-1	785341.0	1	AP1000295	4014486464870
12		644368.0	2	AP1000858	4014486472929
13		544172.0	1	AP1001745	4014486487299
14		603380.1	1	AP1001080	4014486498240
15		609762.0	1	AP1001713	4014486486919
19		506671.2	1	AP1000506	4014486467840
20	TO NO. 84500261	545689.0	1	AP1003332	4014486461886
20	FROM NO. 84500262	821734.2	1	AP1000154	4014486461763
21	TO NO. 84500261	545668.1	1	AP1000119	4014486461305
22		644537.0	1	AP1000140	4014486461572
23	TO NO. 84500386 HIGH - LOW SPEED RANGE TRANSMISSION	609823.0	1	AP1001225	4014486497809
23	FROM NO. 84500387	661427.0	1	AP1001228	4014486497847
24	DRUM VARIABLE SPEED DRIVE N = 650 - 1500	661220.0	1	AP1003340	4014486488807
24	DRUM VARIABLE SPEED DRIVE N = 650 - 1500	661220.1	1	AP1003340	4014486488807
DOMINATOR 38					
3	TO NO. 15200469	785341.0	1	AP1000295	4014486464870
6	FROM CUTTERBAR 247185	670224.1	1	AP1001158	4014486497380
8	FANNING MILL	724141.0	1	AP1000709	4014486470970
9	FOR THRESHING MECHANISM	724101.0	1	AP1001682	4014486486537
10		724179.0	1	AP1003423	4014486463965
11	HYDRAULIC PUMP	767057.1	1	AP1003333	4014486462609
12	FOR GROUND DRIVE	724180.0	1	AP1003615	4014486486490
13	STRAW WALKER	785176.0	1	AP1000389	4014486466522
16	FROM CUTTERBAR 247185	724301.0	1	AP1000648	4014486470093
16	FROM CUTTERBAR 247185	724301.1	1	AP1000648	4014486470093
17	TO NO. 15200689	724168.0	1	AP1000624	4014486520262
17	FROM NO. 15200690	724339.0	1	AP1000630	4014486469813
18	TO NO. 15201319	629756.0	1	AP1001209	4014486497687
18	FROM NO. 15201320	671083.0	1	AP1003588	4014486460292
19		724248.1	1	AP1000849	4014486472783
20		603380.1	1	AP1001080	4014486498240
21		061878.0	1	AP1000824	4014486472509
25	STRAW CHOPPER	061872.0	2	AP1002867	4014486471939
26		603247.1	1	AP1003626	4014486488111



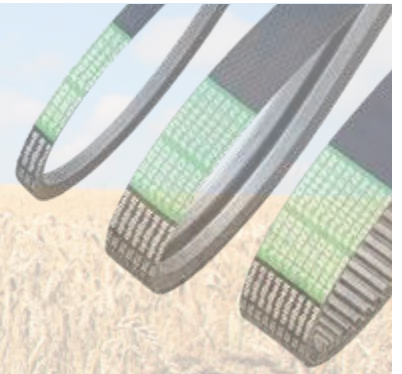
DOMINATOR 48 LEFT



DOMINATOR 48 MIDDLE

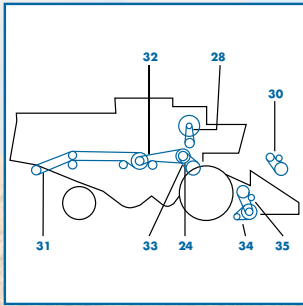


DOMINATOR 48 RIGHT

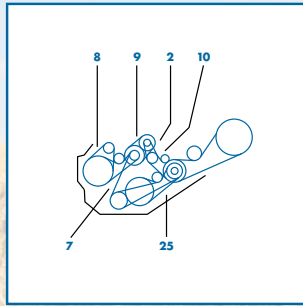


CLAAS

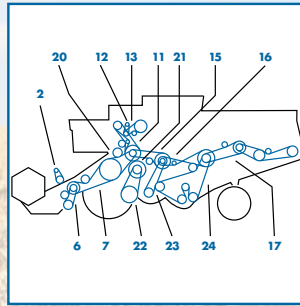
NR.	DRIVE	PART NUMBER	SET	AP NR.	EAN
DOMINATOR 48					
0	GRAIN TANK UNLOADING	673614.1	1	AP1001566	4014486484694
0	HYDRAULIC PUMP DRIVE	767057.1	1	AP1003333	4014486462609
3	REEL DRIVE	778561.0	1	AP1001038	4014486496376
5		724301.0	1	AP1000648	4014486470093
5		724301.1	1	AP1000648	4014486470093
8	REEL DRIVE	670224.0	1	AP1001158	4014486497380
9	FANNING MILL	724141.0	1	AP1000709	4014486470970
10	FOR THRESHING MECHANISM	724101.0	1	AP1001682	4014486486537
11	GRAIN TANK UNLOADING	673614.0	1	AP1001566	4014486484694
12	HYDRAULIC PUMP DRIVE	767057.0	1	AP1003333	4014486462609
13		724180.0	1	AP1003615	4014486486490
14	STRAW WALKER DRIVE	785176.0	1	AP1000389	4014486466522
16		724168.0	1	AP1000624	4014486520262
17	TRACTION DRIVE	629756.0	1	AP1001209	4014486497687
18		724248.0	1	AP1000848	4014486472776
19	CLEANING FAN	603380.0	1	AP1001080	4014486498240
24	THRESHING MACHINE	061872.0	2	AP1002867	4014486471939
25	THRESHING MACHINE	603015.0	1	AP1001503	4014486460186
25	THRESHING MACHINE	603247.0	1	AP1003626	4014486488111
	THRESHING MACHINE	603015.1	1	AP1001503	4014486460186
	THRESHING MACHINE	603247.1	1	AP1003626	4014486488111
	CLEANING FAN	603380.1	1	AP1001080	4014486498240
	REEL DRIVE	670224.1	1	AP1001158	4014486497380
		724248.1	1	AP1000849	4014486472783
DOMINATOR 48 SP					
3	REEL DRIVE	778561.0	1	AP1001038	4014486496376
5		724301.0	1	AP1000648	4014486470093
5		724301.1	1	AP1000648	4014486470093
8	REEL DRIVE	670224.1	1	AP1001158	4014486497380
9	FANNING MILL	724141.0	1	AP1000709	4014486470970
10	FOR THRESHING MECHANISM	724100.0	1	AP1001907	4014486489699
11	GRAIN TANK UNLOADING	673614.1	1	AP1001566	4014486484694
12	HYDRAULIC PUMP DRIVE	767057.1	1	AP1003333	4014486462609
13		783268.1	1	AP1002055	4014486475326
14	STRAW WALKER DRIVE	724180.0	1	AP1003615	4014486486490
15		785176.0	1	AP1000389	4014486466522
16		802931.0	1	AP1003456	4014486465945
18		724168.0	1	AP1000624	4014486520262
18		724339.0	1	AP1000630	4014486469813
19	CLEANING FAN	629756.0	1	AP1001209	4014486497687
20		724247.0	1	AP1000849	4014486472783
20		724247.1	1	AP1000849	4014486472783
21		603380.1	1	AP1001080	4014486498240
22		061902.0	1	AP1000851	4014486472813
26	STRAW CHOPPER	061872.0	2	AP1002867	4014486471939
27	AT N 650 - 1500 MIN-1 TO NO 15400931	603015.1	1	AP1001503	4014486460186
27	AT N 650 - 1500 MIN-1 FROM NO. 15400932	661429.0	1	AP1001212	4014486497717
27	AT N 500 - 1400 MIN-1	661430.0	1	AP1001229	4014486497830
28	PERKINS 4.236 / 4.248	147227.0	1	AP1003722	4014486494990
28	PERKINS 6.3544	147228.1	1	AP1002283	4014486479669
28	PERKINS 1006.6	147233.1	2	AP1002575	4014486495478



DOMINATOR 56 LEFT



DOMINATOR 56 MIDDLE

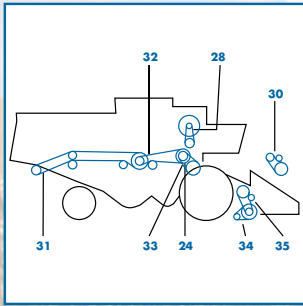


DOMINATOR 56 RIGHT

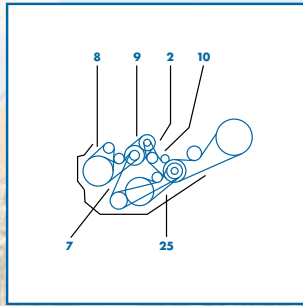
CLAAS

NR.	DRIVE	PART NUMBER	SET	AP NR.	EAN
DOMINATOR 56					
0	WHEEL SHAFT (FRONT)	060306.3	1	AP1000723	4014486471151
0	WHEEL SHAFT (FRONT)	060306.4	1	AP1000723	4014486471151
0	DISCHARGE AUGER SHAFT	673614.1	1	AP1001566	4014486484694
2	REEL DRIVE VARIABLE SPEED	670224.0	1	AP1001158	4014486497380
6	KNIFE DRIVE	629214.0	1	AP1002317	4014486480054
7	CUTTING TABLE	603122.0	1	AP1001116	4014486497007
7	CUTTING TABLE	629081.0	1	AP1000755	4014486471557
7	CUTTING TABLE	629081.1	1	AP1000755	4014486471557
8	REEL DRIVE	603284.0	1	AP1000507	4014486467857
9	CUTTING MECH	056961.0	1	AP1000117	4014486461268
11	HYDRAULIC PUMP DRIVE	767057.1	1	AP1003333	4014486462609
12	AIR CONDITIONING	621903.0	1	AP1002041	4014486475166
12	AIR CONDITIONING	621903.1	1	AP1002041	4014486475166
13	DISCHARGE AUGER SHAFT	673614.0	1	AP1001566	4014486484694
14	TRACTION DRIVE	671012.0	1	AP1003631	4014486488500
15	THRESHING MACHINE	603337.0	1	AP1000662	4014486470260
15	THRESHING MACHINE	672358.0	1	AP1000662	4014486470260
16	SHAKER SHOE DRIVE	603336.0	1	AP1000478	4014486467499
16	SHAKER SHOE DRIVE	603336.1	1	AP1000478	4014486467499
17	STRAW WALKER	506671.0	1	AP1000506	4014486467840
17	STRAW WALKER	506671.1	1	AP1000506	4014486467840
17	STRAW WALKER	506671.2	1	AP1000506	4014486467840
18	CUTTING TABLE	603283.0	1	AP1000669	4014486470376
19	KNIFE DRIVE	603048.0	1	AP1000503	4014486467789
20	THRESHING MACHINE	673638.1	1	AP1001099	4014486496819
21	TRACTION DRIVE	629436.0	1	AP1001630	4014486485738
22	TRACTION DRIVE	629737.0	1	AP1001511	4014486460285
23	BLOWER	671209.0	1	AP1001039	4014486496383
24	SHAKER SHOE DRIVE	603017.0	2	AP1000833	4014486472592
24	SHAKER SHOE DRIVE	603017.3	2	AP1000833	4014486472592
25	STRAW DISTRIBUTOR	635494.0	2	AP1000382	4014486466454
25	STRAW DISTRIBUTOR	635494.1	2	AP1000382	4014486466454
28	COOLER	783430.0	1	AP1000238	4014486463422
28	COOLER	783430.1	1	AP1000238	4014486463422
30	THRESHING MACHINE	603247.0	1	AP1003626	4014486488111
30	THRESHING MACHINE	603247.1	1	AP1003626	4014486488111
31	STRAW CHOPPER DRIVE	061361.0	1	AP1000861	4014486472967
32	WHEEL SHAFT (FRONT)	060306.2	1	AP1000723	4014486471151
33	CYLINDER DRIVE	603015.1	1	AP1001503	4014486460186
34	FOR MAIZE PICKER	629410.0	2	AP1002872	4014486468441
35	FOR MAIZE PICKER	680334.0	1	AP1001819	4014486488364
35	FOR MAIZE PICKER	680334.1	1	AP1001819	4014486488364
	SHAKER SHOE DRIVE	603017.2	2	AP1000833	4014486472592
	KNIFE DRIVE	629214.1	1	AP1002317	4014486480054
		629410.1	2	AP1002872	4014486468441
	REEL DRIVE VARIABLE SPEED	670224.1	1	AP1001158	4014486497380
	TRACTION DRIVE	671012.1	1	AP1003631	4014486488500

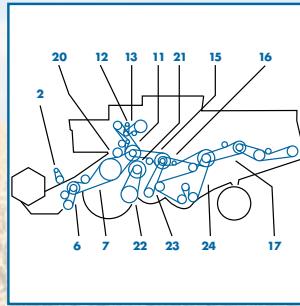
DOMINATOR 58					
0		061872.0	2	AP1002867	4014486471939
0		061902.0	1	AP1000851	4014486472813
0		603015.0	1	AP1001503	4014486460186
0		603380.0	1	AP1001080	4014486498240
0		629756.0	1	AP1001209	4014486497687
0		644177.0	1	AP1001221	4014486497762



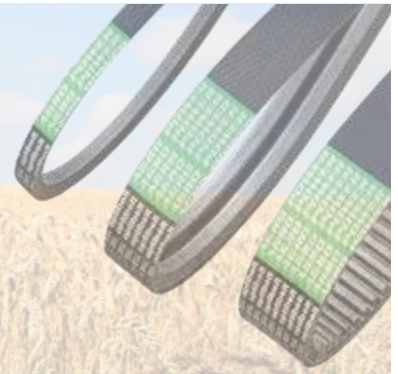
DOMINATOR 66 LEFT



DOMINATOR 66 MIDDLE

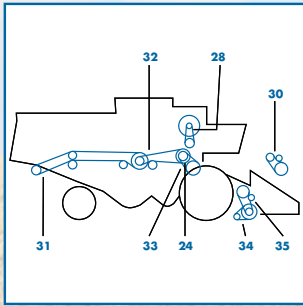


DOMINATOR 66 RIGHT

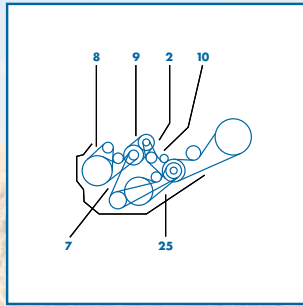


CLAAS

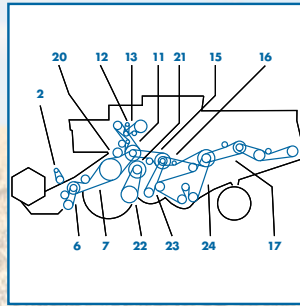
NR.	DRIVE	PART NUMBER	SET	AP NR.	EAN
0		673614.0	1	AP1001566	4014486484694
0		673614.1	1	AP1001566	4014486484694
0		724100.0	1	AP1001907	4014486489699
0		724141.0	1	AP1000709	4014486470970
0		724181.0	1	AP1001679	4014486486483
0		724247.0	1	AP1000849	4014486472783
0		724247.1	1	AP1000849	4014486472783
0		724301.0	1	AP1000648	4014486470093
0		724301.1	1	AP1000648	4014486470093
0		767057.0	1	AP1003333	4014486462609
0		767057.1	1	AP1003333	4014486462609
0		778561.0	1	AP1001038	4014486496376
0		785176.0	1	AP1000389	4014486466522
0		802931.0	1	AP1003456	4014486465945
		603015.1	1	AP1001503	4014486460186
		603380.1	1	AP1001080	4014486498240
DOMINATOR 58 SP					
3	TO CUTTERBAR 247184	778561.0	1	AP1001038	4014486496376
5		724301.0	1	AP1000648	4014486470093
5		724301.1	1	AP1000648	4014486470093
8	FROM CUTTERBAR 247185	670224.1	1	AP1001158	4014486497380
9	FANNING MILL	724141.0	1	AP1000709	4014486470970
10	FOR THRESHING MECHANISM	724100.0	1	AP1001907	4014486489699
11		673614.1	1	AP1001566	4014486484694
12	HYDRAULIC PUMP	767057.1	1	AP1003333	4014486462609
13	FROM CUTTERBAR 247185	783268.1	1	AP1002055	4014486475326
14	FROM NO. 15400642	724180.0	1	AP1003615	4014486486490
15	TO NO. 15400641	785176.0	1	AP1000389	4014486466522
16		802931.0	1	AP1003456	4014486465945
18		724168.0	1	AP1000624	4014486520262
18		724339.0	1	AP1000630	4014486469813
19		629756.0	1	AP1001209	4014486497687
20		724247.0	1	AP1000849	4014486472783
20		724247.1	1	AP1000849	4014486472783
21		603380.1	1	AP1001080	4014486498240
22		061902.0	1	AP1000851	4014486472813
26	STRAW CHOPPER	061872.0	2	AP1002867	4014486471939
27	AT N 650 - 1500 MIN-1 TO NO 15400931	603015.1	1	AP1001503	4014486460186
27	AT N 650 - 1500 MIN-1 FROM NO. 15400932	661429.0	1	AP1001212	4014486497717
27	AT N 500 - 1400 MIN-1	661430.0	1	AP1001229	4014486497830
28	PERKINS 4.236 / 4.248	147227.0	1	AP1003722	4014486494990
28	PERKINS 6.3544	147228.1	1	AP1002283	4014486479669
28	PERKINS 1006.6	147233.1	2	AP1002575	4014486495478
DOMINATOR 66					
0	WHEEL SHAFT (FRONT)	060306.3	1	No AP	
0	WHEEL SHAFT (FRONT)	060306.4	1	1000723	4014486471151
0		603017.0	2	1000833	4014486472592
0	DISCHARGE AUGER SHAFT	673614.1	1	1001566	4014486484694
2	REEL DRIVE VARIABLE SPEED	670224.0	1	1001158	4014486497380
6	KNIFE DRIVE	629214.0	1	1002317	4014486480054
7		603122.0	1	1001116	4014486497007
7		629081.0	1	AP1000755	4014486471557
7		629081.1	1	AP1000755	4014486471557
8		603284.0	1	AP1000507	4014486467857
11	HYDRAULIC PUMP DRIVE	767057.1	1	AP1003333	4014486462609



DOMINATOR 68 LEFT



DOMINATOR 68 MIDDLE



DOMINATOR 68 RIGHT

CLAAS

NR.	DRIVE	PART NUMBER	SET	AP NR.	EAN
12		621903.0	1	AP1002041	4014486475166
12		621903.1	1	AP1002041	4014486475166
13	DISCHARGE AUGER SHAFT	673614.0	1	AP1001566	4014486484694
14	TRACTION DRIVE	671012.0	1	AP1003631	4014486488500
15		603337.0	1	AP1000662	4014486470260
15		672358.0	1	AP1000662	4014486470260
16		603336.0	1	AP1000478	4014486467499
16		603336.1	1	AP1000478	4014486467499
17		506671.0	1	AP1000506	4014486467840
17		506671.1	1	AP1000506	4014486467840
17		506671.2	1	AP1000506	4014486467840
18		603283.0	1	AP1000669	4014486470376
19		603048.0	1	AP1000503	4014486467789
20		673638.1	1	AP1001099	4014486496819
21		629436.0	1	AP1001630	4014486485738
22		629737.0	1	AP1001511	4014486460285
23		671209.0	1	AP1001039	4014486496383
24		603017.3	2	AP1000833	4014486472592
25		635494.0	2	AP1000382	4014486466454
25		635494.1	2	AP1000382	4014486466454
28		783430.0	1	AP1000238	4014486463422
28		783430.1	1	AP1000238	4014486463422
30		603247.0	1	AP1003626	4014486488111
31		061361.0	1	AP1000861	4014486472967
32	WHEEL SHAFT (FRONT)	060306.2	1	AP1000723	4014486471151
33		603015.1	1	AP1001503	4014486460186
34		629410.0	2	AP1002872	4014486468441
35		680334.0	1	AP1001819	4014486488364
35		680334.1	1	AP1001819	4014486488364
		603017.2	2	AP1000833	4014486472592
		603247.1	1	AP1003626	4014486488111
	KNIFE DRIVE	629214.1	1	AP1002317	4014486480054
		629410.1	2	AP1002872	4014486468441
	REEL DRIVE VARIABLE SPEED	670224.1	1	AP1001158	4014486497380
	TRACTION DRIVE	671012.1	1	AP1003631	4014486488500

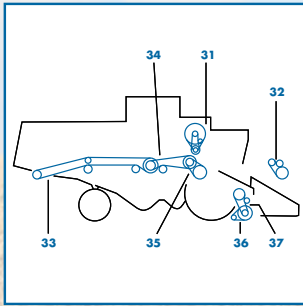
DOMINATOR 68

0		673614.1	1	AP1001566	4014486484694
0	CUTTING MECHANICAL BY 3.6 M TO 5.1 M TO 25580	713506.0	1	AP1000315	4014486465310
0	FOR 3.6 M - 5.1 M TO CUTTING MECHANICAL 255807	713506.0	1	AP1000315	4014486465310
1	REEL DRIVE	603284.0	1	AP1000507	4014486467857
3	REEL DRIVE	670224.1	1	AP1001158	4014486497380
5	CUTTING MECHANICAL BY 3.0 M TO CUT 255806	603283.0	1	AP1000669	4014486470376
5	CUTTING MECHANICAL BY 3.6 M TO 5.1 M TO 255807	713506.0	1	AP1000315	4014486465310
5	CUTTING MECHANICAL BY 3.6 M TO 5.1 M TO 255807	713506.1	1	AP1000315	4014486465310
5	CUTTING MECHANICAL BY 3.6 M TO 5.1 M TO 255807	713506.2	1	AP1000315	4014486465310
5	TO CUTTING MECHANICAL BY 3.0 TO CUT. 255807	778717.1	2	AP1004307	4014486714937
6	CUTTING MECHANICAL BY 3.0 M	603048.0	1	AP1000503	4014486467789
7	2X BY MAIZE PICKET (TO NR. 15606083)	603290.0		AP1000764	4014486471670
7	2X BY MAIZE PICKET (TO NR. 15606082)	629836.0	1	AP1000746	4014486471427
11	THRESHING MACHINE	724100.0	1	AP1001907	4014486489699
12	SHAKER SHOE DRIVE	724141.0	1	AP1000709	4014486470970
13	UNLOADER DRIVE	673614.0	1	AP1001566	4014486484694
14	HYDRAULIC PUMP DRIVE	767057.1	1	AP1003333	4014486462609
15	TRACTION DRIVE	724181.0	1	AP1001679	4014486486483
16	STRAW WALKER DRIVE	785176.0	1	AP1000389	4014486466522
17	AIR INTAKE	802931.0	1	AP1003456	4014486465945

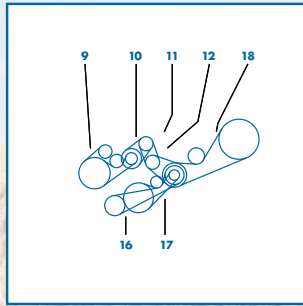


CLAAS

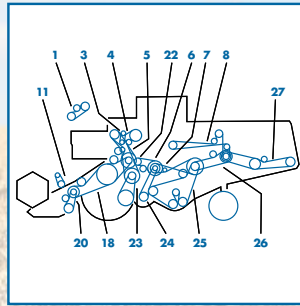
NR.	DRIVE	PART NUMBER	SET	AP NR.	EAN
18	STRAW DISTRIBUTOR	509435.0	1	AP1005141	4044978203434
20	CUTTING MECHANICAL TO 3.6 M	629214.1	1	AP1002317	4014486480054
21	THRESHING MACHINE	673638.1	1	AP1001099	4014486496819
22	TRACTION DRIVE	629756.0	1	AP1001209	4014486497687
23	FAN INTERMEDIATE DRIVE	603380.1	1	AP1001080	4014486498240
24	SHAKER SHOE DRIVE	724247.0	1	AP1000849	4014486472783
24	SHAKER SHOE DRIVE	724247.1	1	AP1000849	4014486472783
27	STRAW CHOPPER DRIVE FOR GRAIN	061902.0	1	AP1000851	4014486472813
27	CHOPPER FOR MAIZE	062043.0	1	AP1000843	4014486472721
28	THRESHING MACHINE	061872.0	2	AP1002867	4014486471939
30	CYLINDER DRIVE FOR N=650-1550 RPM (TO NR. 15603256)	603015.1	1	AP1001503	4014486460186
30	CYLINDER DRIVE FOR N=650-1500 RPM (TO NR. 15603257)	628630.0	1	AP1001208	4014486497670
30	CYLINDER DRIVE FOR N=500-1400 RPM	644177.0	1	AP1001221	4014486497762
31	CHOPPER DRIVE	629410.0	2	AP1002872	4014486468441
32	MAIZE PICKER	680334.0	1	AP1001819	4014486488364
32	MAIZE PICKER	680334.1	1	AP1001819	4014486488364
33	AIR CONDITIONING COMPRESSOR DRIVE	783268.1	1	AP1002055	4014486475326
	CUTTING MECHANICAL BY 3.0 M	056961.0	1	AP1000117	4014486461268
		629410.1	2	AP1002872	4014486468441
	2X BY MAIZE PICKET (TO NR. 15606082)	629836.1	2	AP1003819	4014486518870
DOMINATOR 68 R					
0	GRAIN TANK UNLOADING	673614.1	1	AP1001566	4014486484694
3	REEL VARIATOR	670224.1	1	AP1001158	4014486497380
5	KNIFE DRIVE	713506.0	1	AP1000315	4014486465310
5	KNIFE DRIVE	713506.1	1	AP1000315	4014486465310
5	KNIFE DRIVE	713506.2	1	AP1000315	4014486465310
7	FROM NO. 15500594 (2X FOR CORN)	603290.0		AP1000764	4014486471670
7	FEEDER DRIVE TO NO. 15500593 (2X FORN CORN)	629836.0	1	AP1000746	4014486471427
7	FEEDER DRIVE TO NO. 15500593 (2X FORN CORN)	629836.1	2	AP1003819	4014486518870
11		724100.0	1	AP1001907	4014486489699
12	FANNING MILL	724141.0	1	AP1000709	4014486470970
13	GRAIN TANK UNLOADING	673614.0	1	AP1001566	4014486484694
14	HYDRAULIC PUMP	767057.1	1	AP1003333	4014486462609
15	GROUND DRIVE	724181.0	1	AP1001679	4014486486483
16		785176.0	1	AP1000389	4014486466522
17	FEED RAKE DRIVE	802931.0	1	AP1003456	4014486465945
18	STRAW SPREADER	509435.0	1	AP1005141	4044978203434
21	CUTTERBAR DRIVE	673638.1	1	AP1001099	4014486496819
22	DRIVE - VARIATOR	629756.0	1	AP1001209	4014486497687
23	BLOWER - VARIATOR	603380.1	1	AP1001080	4014486498240
24	SIEVE PAN DRIVE	724247.0	1	AP1000849	4014486472783
24	SIEVE PAN DRIVE	724247.1	1	AP1000849	4014486472783
27	AT GRAIN	061902.0	1	AP1000851	4014486472813
27	AT CORN	062043.0	1	AP1000843	4014486472721
28	FEEDER HOUSING LONG	061872.0	2	AP1002867	4014486471939
28	STRAW CHOPPER	061872.0	2	AP1002867	4014486471939
30	AT N 650 - 1550 MIN-1	603015.1	1	AP1001503	4014486460186
30	AT N 650 - 1500 MIN-1	628630.0	1	AP1001208	4014486497670
30	AT N 500 - 1400 MIN-1	644177.0	1	AP1001221	4014486497762
31	FOR HPH - CHOPPER	629410.0	2	AP1002872	4014486468441
32	FOR HPH - CHOPPER	680334.0	1	AP1001819	4014486488364
32	FOR HPH - CHOPPER	680334.1	1	AP1001819	4014486488364
33	AIR CONDITIONER	783268.1	1	AP1002055	4014486475326
	FOR HPH - CHOPPER	629410.1	2	AP1002872	4014486468441
0	MERCEDES OM 352	133523.0	1	AP1002551	4014486494846
0	PERKINS 6.3544	147228.1	1	AP1002283	4014486479669



DOMINATOR 76 LEFT



DOMINATOR 76 MIDDLE



DOMINATOR 76 RIGHT

CLAAS

NR.	DRIVE	PART NUMBER	SET	AP NR.	EAN
0	PERKINS 1006.6	147233.1	2	AP1002575	4014486495478
DOMINATOR 68 SR					
0	GRAIN TANK UNLOADING	673614.1	1	AP1001566	4014486484694
3	REEL VARIATOR	670224.1	1	AP1001158	4014486497380
5	KNIFE DRIVE	713506.0	1	AP1000315	4014486465310
5	KNIFE DRIVE	713506.1	1	AP1000315	4014486465310
5	KNIFE DRIVE	713506.2	1	AP1000315	4014486465310
7	FROM NO. 1.5500594 (2X FOR CORN)	603290.0		AP1000764	4014486471670
7	FEEDER DRIVE TO NO. 1.5500593 (2X FORN CORN)	629836.0	1	AP1000746	4014486471427
7	FEEDER DRIVE TO NO. 1.5500593 (2X FORN CORN)	629836.1	2	AP1003819	4014486518870
11		724100.0	1	AP1001907	4014486489699
12	FANNING MILL	724141.0	1	AP1000709	4014486470970
13	GRAIN TANK UNLOADING	673614.0	1	AP1001566	4014486484694
14	HYDRAULIC PUMP	767057.1	1	AP1003333	4014486462609
15	GROUND DRIVE	724181.0	1	AP1001679	4014486486483
16		785176.0	1	AP1000389	4014486466522
17	FEED RAKE DRIVE	802931.0	1	AP1003456	4014486465945
18	STRAW SPREADER	509435.0	1	AP1005141	4044978203434
21	CUTTERBAR DRIVE	673638.1	1	AP1001099	4014486496819
22	DRIVE - VARIATOR	629756.0	1	AP1001209	4014486497687
23	BLOWER - VARIATOR	603380.1	1	AP1001080	4014486498240
24	SIEVE PAN DRIVE	724247.0	1	AP1000849	4014486472783
24	SIEVE PAN DRIVE	724247.1	1	AP1000849	4014486472783
27	AT GRAIN	061902.0	1	AP1000851	4014486472813
27	AT CORN	062043.0	1	AP1000843	4014486472721
28	FEEDER HOUSING LONG	061872.0	2	AP1002867	4014486471939
28	STRAW CHOPPER	061872.0	2	AP1002867	4014486471939
30	AT N 650 - 1.550 MIN-1	603015.1	1	AP1001503	4014486460186
30	AT N 650 - 1.500 MIN-1	628630.0	1	AP1001208	4014486497670
30	AT N 500 - 1.400 MIN-1	644177.0	1	AP1001221	4014486497762
31	FOR HPH - CHOPPER	629410.0	2	AP1002872	4014486468441
32	FOR HPH - CHOPPER	680334.0	1	AP1001819	4014486488364
32	FOR HPH - CHOPPER	680334.1	1	AP1001819	4014486488364
33	AIR CONDITIONER	783268.1	1	AP1002055	4014486475326
	FOR HPH - CHOPPER	629410.1	2	AP1002872	4014486468441
0	MERCEDES OM 352	133523.0	1	AP1002551	4014486494846
0	PERKINS 6.3544	147228.1	1	AP1002283	4014486479669
0	PERKINS 1006.6	147233.1	2	AP1002575	4014486495478
DOMINATOR 76					
0		056961.0	1	AP1000117	4014486461268
0		060306.3	1	AP1000723	4014486471151
0		060306.4	1	AP1000723	4014486471151
0		603017.0	2	AP1000833	4014486472592
0	KNIFE DRIVE	629214.0	1	AP1002317	4014486480054
0	ELEVATOR DRIVE UNIT	629732.0	1	AP1000415	4014486466782
0	DISCHARGE AUGER SHAFT	673614.1	1	AP1001566	4014486484694
1		673625.0	1	AP1001793	4014486488005
2	HYDRAULIC PUMP DRIVE	767057.1	1	AP1003333	4014486462609
3	AT AIR CONDITIONING	621903.0	1	AP1002041	4014486475166
3	AT AIR CONDITIONING	621903.1	1	AP1002041	4014486475166
3	AT AIR CONDITIONING	629908.0	1	AP1002332	4014486478631
3	AT AIR CONDITIONING	629908.1	1	AP1002332	4014486478631
4	DISCHARGE AUGER SHAFT	673614.0	1	AP1001566	4014486484694
5	TRACTION DRIVE	671012.0	1	AP1003631	4014486488500
5	TRACTION DRIVE	671012.1	1	AP1003631	4014486488500



CLAAS

NR.	DRIVE	PART NUMBER	SET	AP NR.	EAN
6	FAN DRIVE	603337.0	1	AP1000662	4014486470260
6	FAN DRIVE	672358.0	1	AP1000662	4014486470260
7	SIEVE DRIVE	603336.0	1	AP1000478	4014486467499
7	SIEVE DRIVE	603336.1	1	AP1000478	4014486467499
8	STRAW WALKER DRIVE	629732.1	1	AP1000416	4014486466799
8		629732.2	1	AP1000417	4014486520507
9	REEL DRIVE	603284.0	1	AP1000507	4014486467857
11	REEL DRIVE VARIABLE SPEED	670224.0	1	AP1001158	4014486497380
11	FOR CUTTERBAR	670224.1	1	AP1001158	4014486497380
13	FOR CORN PICKER	692149.0	1	AP1001852	4014486488869
13	FOR CORN PICKER	692150.0	1	AP1001857	4014486488920
16	CUTTING TABLE	603283.0	1	AP1000669	4014486470376
16	FROM 3.6 M CUTTERBAR	713506.0	1	AP1000315	4014486465310
16	FROM 3.6 M CUTTERBAR	713506.1	1	AP1000315	4014486465310
16	FROM 3.6 M CUTTERBAR	713506.2	1	AP1000315	4014486465310
16	AT 3.0 M CUTTERBAR	778717.1	2	AP1004307	4014486714937
17	HEADER DRIVE	603048.0	1	AP1000503	4014486467789
18	FEEDER DRIVE FROM NO. 09101947 FOR CORN	603122.0	1	AP1001116	4014486497007
18	FROM NO. 09101947 FOR CORN	603290.0		AP1000764	4014486471670
18	FEEDER DRIVE TO NO. 09101946 FOR CORN	629836.0	1	AP1000746	4014486471427
20	AT MECHANICAL GROUND DRIVE	603427.0	1	AP1001627	4014486485660
21	AT MECHANICAL GROUND DRIVE	603317.0	1	AP1001515	4014486460346
21	THRESHING MACHINE	673638.1	1	AP1001099	4014486496819
22	TRACTION DRIVE	629436.0	1	AP1001630	4014486485738
22	TRACTION DRIVE	671209.0	1	AP1001039	4014486496383
23	RETURNS AUGER	603017.3	2	AP1000833	4014486472592
23	RETURNS AUGER	629737.0	1	AP1001511	4014486460285
25	SHAKER SHOE DRIVE	603017.3	2	AP1000833	4014486472592
26	STRAW WALKER DRIVE	506671.0	1	AP1000506	4014486467840
26	STRAW WALKER DRIVE	506671.1	1	AP1000506	4014486467840
26	STRAW WALKER DRIVE	506671.2	1	AP1000506	4014486467840
27	STRAW DISTRIBUTOR	623427.1	1	AP1000409	4014486466720
31	FOR GRAIN - CHOPPER	061360.1	1	AP1000870	4014486473094
31	COOLER	783430.0	1	AP1000238	4014486463422
31	COOLER	783430.1	1	AP1000238	4014486463422
32	TRESHING MACHINE	603247.0	1	AP1003626	4014486488111
33	STRAW CHOPPER DRIVE	061360.1	1	AP1000870	4014486473094
34	TRESHING MACHINE	060306.2	1	AP1000723	4014486471151
34	FOR HPG - G CHOPPER	680334.0	1	AP1001819	4014486488364
34	FOR HPG - G CHOPPER	680334.1	1	AP1001819	4014486488364
35	TRESHING MACHINE	603015.1	1	AP1001503	4014486460186
36	FOR MAIZE PICKER	629410.0	2	AP1002872	4014486468441
37	FOR MAIZE PICKER	680334.0	1	AP1001819	4014486488364
37	FOR MAIZE PICKER	680334.1	1	AP1001819	4014486488364
		603017.2	2	AP1000833	4014486472592
		603247.1	1	AP1003626	4014486488111
	KNIFE DRIVE	629214.1	1	AP1002317	4014486480054
		629410.1	2	AP1002872	4014486468441

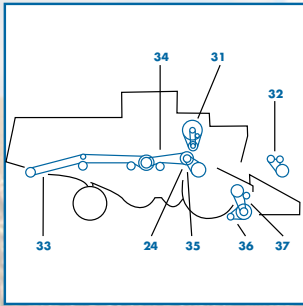
DOMINATOR 78

0	FOR STRAW CHOPPER	060306.3	1	AP1000723	4014486471151
0	FOR STRAW CHOPPER	060306.4	1	AP1000723	4014486471151
0	FOR CORN CHOPPER	061214.0	1	AP1000868	4014486473070
0	RETURNS AUGER	603017.0	2	AP1000833	4014486472592
0	ROTARY SCREEN	603341.0	1	AP1003328	4014486463217
0	AT N 650 - 1500 MIN-1	628630.0	1	AP1001208	4014486497670
0	AT N 500 - 1400 MIN-1	644177.0	1	AP1001221	4014486497762

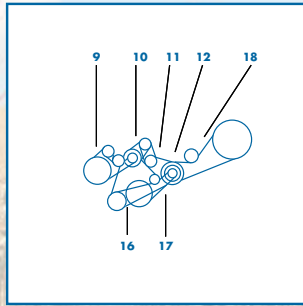


CLAAS

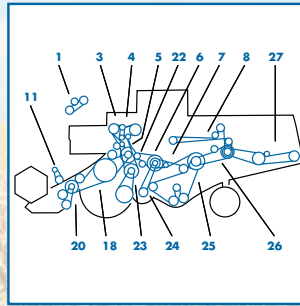
NR.	DRIVE	PART NUMBER	SET	AP NR.	EAN
0		673614.1	1	AP1001566	4014486484694
0	FOR HPG - G CHOPPER	695610.0	1	no AP	
1		673625.0	1	AP1001793	4014486488005
1	AT HYDRAULIC GROUND DRIVE	673625.0	1	AP1001793	4014486488005
2	HYDRAULIC PUMP DRIVE	767057.1	1	AP1003333	4014486462609
3	AT AIR CONDITIONING	621903.0	1	AP1002041	4014486475166
3	AT AIR CONDITIONING	621903.1	1	AP1002041	4014486475166
3	AT AIR CONDITIONING	629908.0	1	AP1002332	4014486478631
3	AT AIR CONDITIONING	629908.1	1	AP1002332	4014486478631
4	DISCHARGE AUGER SHAFT	673614.0	1	AP1001566	4014486484694
5	TRACTION DRIVE	671012.0	1	AP1003631	4014486488500
5	TRACTION DRIVE	671012.1	1	AP1003631	4014486488500
6	FAN DRIVE	603337.0	1	AP1000662	4014486470260
6	FAN DRIVE	672358.0	1	AP1000662	4014486470260
7	SIEVE DRIVE	603336.0	1	AP1000478	4014486467499
7	SIEVE DRIVE	603336.1	1	AP1000478	4014486467499
8	STRAW WALKER DRIVE	629732.1	1	AP1000416	4014486466799
8		629732.2	1	AP1000417	4014486520507
9	REEL DRIVE	603284.0	1	AP1000507	4014486467857
11	REEL DRIVE VARIABLE SPEED	670224.0	1	AP1001158	4014486497380
11	FOR CUTTERBAR	670224.1	1	AP1001158	4014486497380
13	FOR CORN PICKER	692149.0	1	AP1001852	4014486488869
13	FOR CORN PICKER	692150.0	1	AP1001857	4014486488920
16	CUTTING TABLE	603283.0	1	AP1000669	4014486470376
16	FROM 3.6 M CUTTERBAR	713506.0	1	AP1000315	4014486465310
16	FROM 3.6 M CUTTERBAR	713506.1	1	AP1000315	4014486465310
16	FROM 3.6 M CUTTERBAR	713506.2	1	AP1000315	4014486465310
16	AT 3.0 M CUTTERBAR	778717.1	2	AP1004307	4014486714937
17	HEADER DRIVE	603048.0	1	AP1000503	4014486467789
18	FEEDER DRIVE FROM NO. 09101947 FOR CORN	603122.0	1	AP1001116	4014486497007
18	FROM NO. 09101947 FOR CORN	603290.0		AP1000764	4014486471670
18	FEEDER DRIVE TO NO. 09101946 FOR CORN	629836.0	1	AP1000746	4014486471427
20	AT MECHANICAL GROUND DRIVE	603427.0	1	AP1001627	4014486485660
20	AT MECHANICAL GROUND DRIVE	629214.0	1	AP1002317	4014486480054
21	AT MECHANICAL GROUND DRIVE	603317.0	1	AP1001515	4014486460346
21	THRESHING MACHINE	673638.1	1	AP1001099	4014486496819
22	TRACTION DRIVE	629436.0	1	AP1001630	4014486485738
22	TRACTION DRIVE	671209.0	1	AP1001039	4014486496383
23	RETURNS AUGER	603017.3	2	AP1000833	4014486472592
23	RETURNS AUGER	629737.0	1	AP1001511	4014486460285
24	TRACTION DRIVE	671209.0	1	AP1001039	4014486496383
25	SHAKER SHOE DRIVE	603017.3	2	AP1000833	4014486472592
26	STRAW WALKER DRIVE	506671.0	1	AP1000506	4014486467840
26	STRAW WALKER DRIVE	506671.1	1	AP1000506	4014486467840
26	STRAW WALKER DRIVE	506671.2	1	AP1000506	4014486467840
27	FOR STRAW SPREADER	623427.1	1	AP1000409	4014486466720
31	FOR GRAIN - CHOPPER	061360.0	1	AP1000870	4014486473094
31	FOR GRAIN - CHOPPER	061360.1	1	AP1000870	4014486473094
31	COOLER	783430.0	1	AP1000238	4014486463422
31	COOLER	783430.1	1	AP1000238	4014486463422
32	TRESHING MACHINE	603247.0	1	AP1003626	4014486488111
33	STRAW CHOPPER DRIVE	061360.0	1	AP1000870	4014486473094
33	STRAW CHOPPER DRIVE	061360.1	1	AP1000870	4014486473094
34	TRESHING MACHINE	060306.2	1	AP1000723	4014486471151
34	FOR HPG - G CHOPPER	680334.0	1	AP1001819	4014486488364
34	FOR HPG - G CHOPPER	680334.1	1	AP1001819	4014486488364
36	FOR MAIZE PICKER	629410.0	2	AP1002872	4014486468441



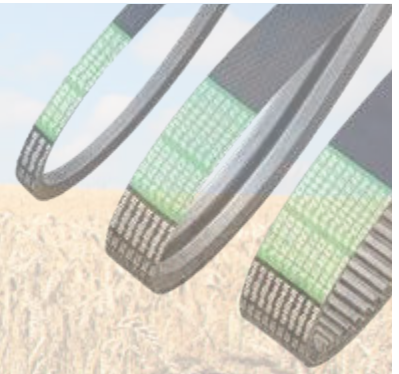
DOMINATOR 85 LEFT



DOMINATOR 85 MIDDLE

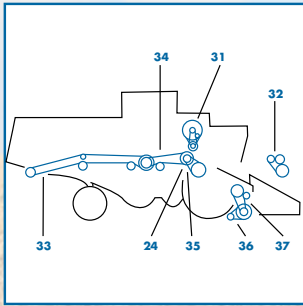


DOMINATOR 85 RIGHT

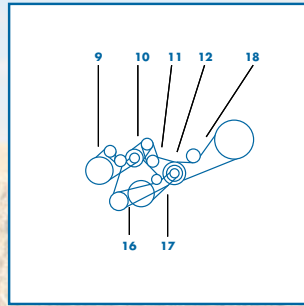


CLAAS

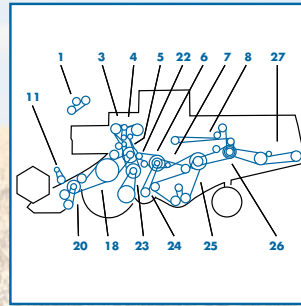
NR.	DRIVE	PART NUMBER	SET	AP NR.	EAN
37	FOR MAIZE PICKER	680334.0	1	AP1001819	4014486488364
37	FOR MAIZE PICKER	680334.1	1	AP1001819	4014486488364
	RETURNS AUGER	603017.2	2	AP1000833	4014486472592
	FEEDER DRIVE TO NO. 09101946 FOR CORN	629836.1	2	AP1003819	4014486518870
DOMINATOR 80					
0	COUNTERSHAFT DRIVE	060306.2	1	AP1000723	4014486471151
0	COUNTERSHAFT DRIVE	060306.3	1	AP1000723	4014486471151
0	HYDRAULIC PUMP DRIVE	633030.2	1	AP1000220	4014486462838
0	DISCHARGE DRIVE GRAIN TANK	673614.1	1	AP1001566	4014486484694
0	HYDRAULIC PUMP DRIVE	767057.1	1	AP1003333	4014486462609
0	CUTTING TABLE DRIVE	778717.1	2	AP1004307	4014486714937
1	REEL DRIVE VARIABLE SPEED	670224.0	1	AP1001158	4014486497380
2	CUTTING TABLE DRIVE CLUTCH	560562.0	1	AP1001101	4014486496833
3	MAIN DRIVE	671012.0	1	AP1003631	4014486488500
3	MAIN DRIVE	671012.1	1	AP1003631	4014486488500
4	HYDRAULIC PUMP TRACTION DRIVE	673625.0	1	AP1001793	4014486488005
5	HYDRAULIC PUMP DRIVE	532011.0	1	AP1000216	4014486462777
5	HYDRAULIC PUMP DRIVE	633030.0	1	AP1000220	4014486462838
5	HYDRAULIC PUMP DRIVE	656028.0	1	AP1003335	4014486462869
5	HYDRAULIC PUMP DRIVE	767057.0	1	AP1003333	4014486462609
6	DISCHARGE DRIVE GRAIN TANK	673614.0	1	AP1001566	4014486484694
7	SHAKER SHOE FANNING MILL	672358.0	1	AP1000662	4014486470260
8	STRAW WALKER DRIVE	629036.0	1	AP1000515	4014486467949
8	STRAW WALKER DRIVE	673601.0	1	AP1000512	4014486467901
9	KNIFE DRIVE	629214.0	1	AP1002317	4014486480054
9	KNIFE DRIVE	769202.0	1	AP1005143	4044978203458
9	KNIFE DRIVE	769202.1	1	AP1005143	4044978203458
10	CUTTING TABLE DRIVE	673639.0	1	AP1000963	4014486474213
10	CUTTING TABLE DRIVE	778717.0	2	AP1004307	4014486714937
11	TRACTION DRIVE	720866.0	1	AP1003607	4014486485721
12	TRACTION VARIATOR DRIVE	671083.0	1	AP1003588	4014486460292
13	FAN MILL VARIABLE SPEED	671209.0	1	AP1001039	4014486496383
15	AUGER (GRAIN)	673690.0	1	AP1000558	4014486468557
15	AUGER (GRAIN)	673690.1	1	AP1000558	4014486468557
16	FEEDER AUGER	501925.0	1	AP1003449	4014486465501
17	COUNTERSHAFT DRIVE	060306.0	1	AP1000723	4014486471151
18	AIR INTAKE DRIVE	802931.0	1	AP1003456	4014486465945
19	STRAW CHOPPER DRIVE	060949.0	1	AP1000863	4014486473018
19	STRAW CHOPPER DRIVE	060949.1	1	AP1000863	4014486473018
20	CYLINDER VARIATOR DRIVE	629035.0	1	AP1001289	4014486520545
20	CYLINDER VARIATOR DRIVE	671015.0	1	AP1001287	4014486497854
21	THRESHING MACHINE	629510.0	1	AP1003634	4014486488623
21	THRESHING MACHINE	629510.1	1	AP1003634	4014486488623
21	THRESHING MACHINE	671012.0	1	AP1003631	4014486488500
	HYDRAULIC PUMP DRIVE	532011.1	1	AP1000216	4014486462777
	KNIFE DRIVE	629214.1	1	AP1002317	4014486480054
	HYDRAULIC PUMP DRIVE	633030.1	1	AP1000220	4014486462838
	REEL DRIVE VARIABLE SPEED	670224.1	1	AP1001158	4014486497380
	THRESHING MACHINE	671012.1	1	AP1003631	4014486488500
	CUTTING TABLE DRIVE	673639.1	1	AP1001114	4014486496970
DOMINATOR 85					
0	COUNTERSHAFT DRIVE	060306.2	1	AP1000723	4014486471151
0	COUNTERSHAFT DRIVE	060306.3	1	AP1000723	4014486471151
0	HYDRAULIC PUMP DRIVE	633030.2	1	AP1000220	4014486462838
0	DISCHARGE DRIVE GRAIN TANK	673614.1	1	AP1001566	4014486484694



DOMINATOR 86 LEFT



DOMINATOR 86 MIDDLE



DOMINATOR 86 RIGHT

CLAAS

NR.	DRIVE	PART NUMBER	SET	AP NR.	EAN
0	HYDRAULIC PUMP DRIVE	767057.1	1	AP1003333	4014486462609
0	CUTTING TABLE DRIVE	778717.1	2	AP1004307	4014486714937
1	REEL DRIVE VARIABLE SPEED	670224.0	1	AP1001158	4014486497380
2	CUTTING TABLE DRIVE CLUTCH	560562.0	1	AP1001101	4014486496833
3	MAIN DRIVE	671012.0	1	AP1003631	4014486488500
3	MAIN DRIVE	671012.1	1	AP1003631	4014486488500
4	HYDRAULIC PUMP TRACTION DRIVE	673625.0	1	AP1001793	4014486488005
5	HYDRAULIC PUMP DRIVE	532011.0	1	AP1000216	4014486462777
5	HYDRAULIC PUMP DRIVE	633030.0	1	AP1000220	4014486462838
5	HYDRAULIC PUMP DRIVE	656028.0	1	AP1003335	4014486462869
5	HYDRAULIC PUMP DRIVE	767057.0	1	AP1003333	4014486462609
6	DISCHARGE DRIVE GRAIN TANK	673614.0	1	AP1001566	4014486484694
7	SHAKER SHOE FANNING MILL	672358.0	1	AP1000662	4014486470260
8	STRAW WALKER DRIVE	629036.0	1	AP1000515	4014486467949
8	STRAW WALKER DRIVE	673601.0	1	AP1000512	4014486467901
9	KNIFE DRIVE	629214.0	1	AP1002317	4014486480054
9	KNIFE DRIVE	769202.0	1	AP1005143	4044978203458
9	KNIFE DRIVE	769202.1	1	AP1005143	4044978203458
10	CUTTING TABLE DRIVE	673639.0	1	AP1000963	4014486474213
10	CUTTING TABLE DRIVE	778717.0	2	AP1004307	4014486714937
11	TRACTION DRIVE	720866.0	1	AP1003607	4014486485721
12	TRACTION VARIATOR DRIVE	671083.0	1	AP1003588	4014486460292
13	FAN MILL VARIABLE SPEED	671209.0	1	AP1001039	4014486496383
15	AUGER (GRAIN)	673690.0	1	AP1000558	4014486468557
15	AUGER (GRAIN)	673690.1	1	AP1000558	4014486468557
16	FEEDER AUGER	501925.0	1	AP1003449	4014486465501
17	COUNTERSHAFT DRIVE	060306.0	1	AP1000723	4014486471151
18	AIR INTAKE DRIVE	802931.0	1	AP1003456	4014486465945
19	STRAW CHOPPER DRIVE	060949.0	1	AP1000863	4014486473018
19	STRAW CHOPPER DRIVE	060949.1	1	AP1000863	4014486473018
20	CYLINDER VARIATOR DRIVE	629035.0	1	AP1001289	4014486520545
20	CYLINDER VARIATOR DRIVE	671015.0	1	AP1001287	4014486497854
21	THRESHING MACHINE	629510.0	1	AP1003634	4014486488623
21	THRESHING MACHINE	629510.1	1	AP1003634	4014486488623
21	THRESHING MACHINE	671012.0	1	AP1003631	4014486488500
	HYDRAULIC PUMP DRIVE	532011.1	1	AP1000216	4014486462777
	KNIFE DRIVE	629214.1	1	AP1002317	4014486480054
	HYDRAULIC PUMP DRIVE	633030.1	1	AP1000220	4014486462838
	REEL DRIVE VARIABLE SPEED	670224.1	1	AP1001158	4014486497380
	THRESHING MACHINE	671012.1	1	AP1003631	4014486488500
	CUTTING TABLE DRIVE	673639.1	1	AP1001114	4014486496970

DOMINATOR 86

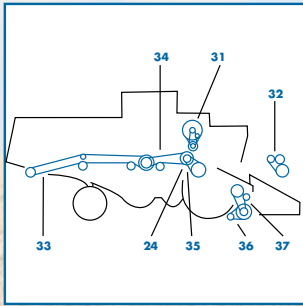
0	WHEEL SHAFT (FRONT)	060306.2	1	AP1000723	4014486471151
0	WHEEL SHAFT (FRONT)	060306.3	1	AP1000723	4014486471151
0		603017.3	2	AP1000833	4014486472592
0	ELEVATOR DRIVE UNIT	629732.2	1	AP1000417	4014486520507
0	DISCHARGE AUGER SHAFT	673614.1	1	AP1001566	4014486484694
0	HYDRAULIC PUMP DRIVE	767057.1	1	AP1003333	4014486462609
1	HYDRAULIC PUMP DRIVE	767057.0	1	AP1003333	4014486462609
2	AIR CONDITION COMPRESSOR	621903.0	1	AP1002041	4014486475166
2	AIR CONDITION COMPRESSOR	621903.1	1	AP1002041	4014486475166
3	DISCHARGE AUGER SHAFT	673614.0	1	AP1001566	4014486484694
4	TRACTION DRIVE	671012.0	1	AP1003631	4014486488500
5	FRONT WHEEL SHAFT	603337.0	1	AP1000662	4014486470260
6	SHAKER SHOE DRIVE	603336.0	1	AP1000478	4014486467499
6	SHAKER SHOE DRIVE	603336.1	1	AP1000478	4014486467499



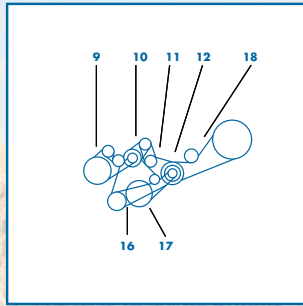
CLAAS

NR.	DRIVE	PART NUMBER	SET	AP NR.	EAN
7	ELEVATOR DRIVE UNIT	629732.0	1	AP1000415	4014486466782
10	REEL DRIVE	670224.0	1	AP1001158	4014486497380
13	KNIFE DRIVE	629214.0	1	AP1002317	4014486480054
14	CUTTING TABLE	603122.0	1	AP1001116	4014486497007
15	CUTTING TABLE	673638.0	1	AP1001099	4014486496819
16	TRACTION DRIVE	603427.0	1	AP1001627	4014486485660
17	TRACTION DRIVE	603317.0	1	AP1001515	4014486460346
18	CLEANING FAN	671209.0	1	AP1001039	4014486496383
19	SHAKER SHOE DRIVE	603017.0	2	AP1000833	4014486472592
20	STRAW WALKER DRIVE	506671.0	1	AP1000506	4014486467840
20	STRAW WALKER DRIVE	506671.1	1	AP1000506	4014486467840
20	STRAW WALKER DRIVE	506671.2	1	AP1000506	4014486467840
21	STRAW DISTRIBUTOR	635494.0	2	AP1000382	4014486466454
21	STRAW DISTRIBUTOR	635494.1	2	AP1000382	4014486466454
24	COOLER	603341.0	1	AP1003328	4014486463217
26	STRAW CHOPPER DRIVE	061361.0	1	AP1000861	4014486472967
27	WHEEL SHAFT (FRONT)	060306.0	1	AP1000723	4014486471151
28	THRESHING MACHINE	603015.0	1	AP1001503	4014486460186
31	THRESHING MACHINE	603247.0	1	AP1003626	4014486488111
		603015.1	1	AP1001503	4014486460186
		603017.2	2	AP1000833	4014486472592
		603247.1	1	AP1003626	4014486488111
	KNIFE DRIVE	629214.1	1	AP1002317	4014486480054
	ELEVATOR DRIVE UNIT	629732.1	1	AP1000416	4014486466799
	REEL DRIVE ELEVATOR	670224.1	1	AP1001158	4014486497380
	TRACTION DRIVE	671012.1	1	AP1003631	4014486488500
		673638.1	1	AP1001099	4014486496819

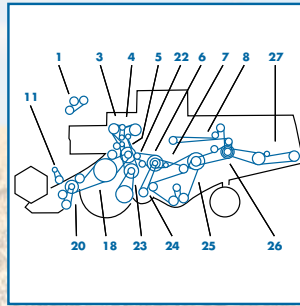
DOMINATOR 88					
0		060306.2	1	AP1000723	4014486471151
0		060306.4	1	AP1000723	4014486471151
0	FOR CORN - CHOPPER	061213.0	1	AP1000860	4014486472943
0	FOR GRAIN - CHOPPER	061361.0	1	AP1000861	4014486472967
0		506671.1	1	AP1000506	4014486467840
0	SHAFTS DISTANCE 1306 MM	603290.0		AP1000764	4014486471670
0	ROTARY SCREEN	603341.0	1	AP1003328	4014486463217
0		609822.0	1	AP1004575	4014486717662
0		609823.0	1	AP1001225	4014486497809
0	AT VAR. 7715	609823.0	1	AP1001225	4014486497809
0	AT N 650 - 1500 MIN-1	628630.0	1	AP1001208	4014486497670
0		629732.0	1	AP1000415	4014486466782
0		629732.1	1	AP1000416	4014486466799
0	FEEDER DRIVE SHAFTS DISTANCE 1177 MM	629836.0	1	AP1000746	4014486471427
0		629908.0	1	AP1002332	4014486478631
0		629908.1	1	AP1002332	4014486478631
0	AT N 500 - 1400 MIN-1	644177.0	1	AP1001221	4014486497762
0	AT VAR. 7715	661220.0	1	AP1003340	4014486488807
0	AT VAR. 7715	661220.1	1	AP1003340	4014486488807
0	AT 6.0 M - 6.6 M	671013.1	1	AP1000676	4014486470482
0		673625.0	1	AP1001793	4014486488005
0		673638.1	1	AP1001099	4014486496819
0	FOR HPH-G CHOPPER	680334.0	1	AP1001819	4014486488364
0	FOR HPH-G CHOPPER	680334.1	1	AP1001819	4014486488364
0	FOR CORN PICKER	692149.0	1	AP1001852	4014486488869
0	FOR CORN PICKER	692150.0	1	AP1001857	4014486488920
0	FOR HPH-G CHOPPER	695610.0	1	no AP	
0	AT 3.6 M - 5.1 M	713506.1	1	AP1000315	4014486465310



DOMINATOR 88 VX LEFT



DOMINATOR 88 VX MIDDLE



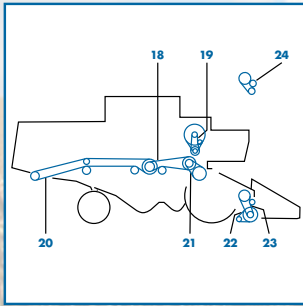
DOMINATOR 88 VX RIGHT

CLAAS

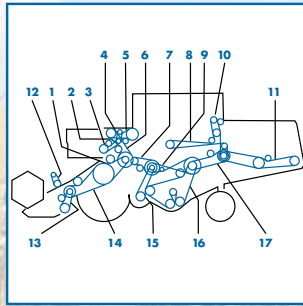
NR.	DRIVE	PART NUMBER	SET	AP NR.	EAN
0	AT 3.6 M - 5.1 M	713506.2	1	AP1000315	4014486465310
1	HYDRAULIC PUMP	767057.1	1	AP1003333	4014486462609
3	DISCHARGE DRIVE GRAIN TANK	673614.1	1	AP1001566	4014486484694
4	TRACTION DRIVE	671012.1	1	AP1003631	4014486488500
5	FRONT WHEEL SHAFT	603337.0	1	AP1000662	4014486470260
6	SHAKER SHOE DRIVE	603336.0	1	AP1000478	4014486467499
6	SHAKER SHOE DRIVE	603336.1	1	AP1000478	4014486467499
7	STRAW WALKER DRIVE	629732.2	1	AP1000417	4014486520507
10	REEL DRIVE AT 3.6 M - 5.1 M	670224.1	1	AP1001158	4014486497380
10	REEL DRIVE AT 6.0 M - 6.6 M	670224.1	1	AP1001158	4014486497380
18	CLEANING FAN	671209.0	1	AP1001039	4014486496383
19	SHAKER SHOE DRIVE	603017.3	2	AP1000833	4014486472592
20	STRAW WALKER DRIVE	506671.2	1	AP1000506	4014486467840
21	STRAW WALKER DRIVE	635494.0	2	AP1000382	4014486466454
21	STRAW WALKER DRIVE	635494.1	2	AP1000382	4014486466454
27	FRONT WHEEL SHAFT	060306.3	1	AP1000723	4014486471151
		603017.2	2	AP1000833	4014486472592
	FEEDER DRIVE SHAFTS DISTANCE 1177 MM	629836.1	2	AP1003819	4014486518870
	AT 3.6 M - 5.1 M	713506.0	1	AP1000315	4014486465310

DOMINATOR 88 VX

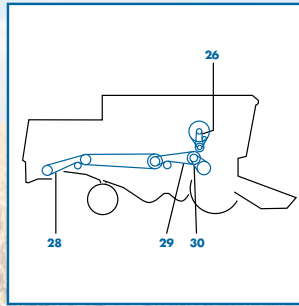
0		060306.2	1	AP1000723	4014486471151
0		060306.4	1	AP1000723	4014486471151
0		506671.0	1	AP1000506	4014486467840
0		506671.1	1	AP1000506	4014486467840
0		603017.0	2	AP1000833	4014486472592
1		544048.0	1	AP1001933	4014486490299
2		767057.1	1	AP1003333	4014486462609
3		629908.0	1	AP1002332	4014486478631
3		629908.1	1	AP1002332	4014486478631
4		629769.0	1	AP1002699	4014486484922
4		629769.1	1	AP1002699	4014486484922
5		671012.1	1	AP1003631	4014486488500
6		603337.0	1	AP1000662	4014486470260
7		603336.0	1	AP1000478	4014486467499
7		603336.1	1	AP1000478	4014486467499
8		644447.0	1	AP1000420	4014486466836
9		635494.0	2	AP1000382	4014486466454
9		635494.1	2	AP1000382	4014486466454
10		661301.0	2	AP1000840	4014486472684
10		661301.1	2	AP1000840	4014486472684
11	FOR CORN	061213.0	1	AP1000860	4014486472943
11		061361.0	1	AP1000861	4014486472967
12		671209.0	1	AP1001039	4014486496383
13		603017.3	2	AP1000833	4014486472592
15		060306.3	1	AP1000723	4014486471151
17		506671.2	1	AP1000506	4014486467840
18		661345.0	1	AP1000160	4014486461824
19		657793.0	1	AP1000107	4014486461114
20		628630.0	1	AP1001208	4014486497670
21		644448.0	1	AP1000139	4014486461565
22		609823.0	1	AP1001225	4014486497809
23		661220.0	1	AP1003340	4014486488807
23		661220.1	1	AP1003340	4014486488807
		603017.2	2	AP1000833	4014486472592



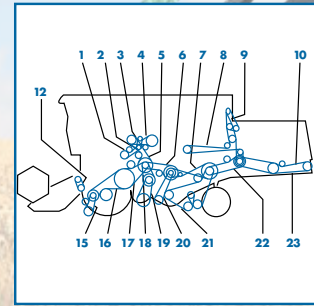
DOMINATOR 96 LEFT



DOMINATOR 96 RIGHT



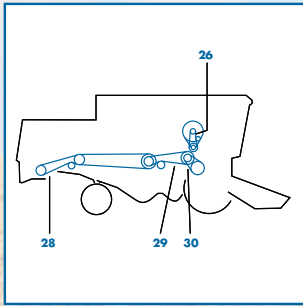
DOMINATOR 98 RIGHT



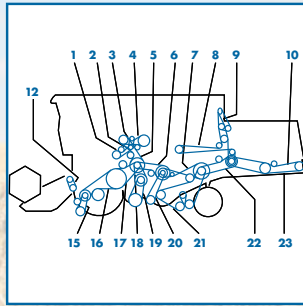
DOMINATOR 98 RIGHT

CLAAS

NR.	DRIVE	PART NUMBER	SET	AP NR.	EAN
DOMINATOR 96					
0		603017.0	2	AP1000833	4014486472592
0		629732.0	1	AP1000415	4014486466782
0		673614.1	1	AP1001566	4014486484694
2		767057.1	1	AP1003333	4014486462609
3		673625.0	1	AP1001793	4014486488005
4		621903.0	1	AP1002041	4014486475166
4		621903.1	1	AP1002041	4014486475166
5		673614.0	1	AP1001566	4014486484694
6		671012.0	1	AP1003631	4014486488500
7		603337.0	1	AP1000662	4014486470260
8		629732.1	1	AP1000416	4014486466799
9		603336.0	1	AP1000478	4014486467499
9		603336.1	1	AP1000478	4014486467499
10		802931.0	1	AP1003456	4014486465945
11		623427.1	1	AP1000409	4014486466720
12		670224.0	1	AP1001158	4014486497380
13		629214.0	1	AP1002317	4014486480054
14		603122.0	1	AP1001116	4014486497007
15		671209.0	1	AP1001039	4014486496383
16		603017.3	2	AP1000833	4014486472592
17		506671.0	1	AP1000506	4014486467840
17		506671.1	1	AP1000506	4014486467840
17		506671.2	1	AP1000506	4014486467840
19		603341.0	1	AP1003328	4014486463217
20		061360.0	1	AP1000870	4014486473094
20		061360.1	1	AP1000870	4014486473094
21		603015.1	1	AP1001503	4014486460186
22		629410.0	2	AP1002872	4014486468441
23		680334.0	1	AP1001819	4014486488364
23		680334.1	1	AP1001819	4014486488364
24		603247.0	1	AP1003626	4014486488111
		603017.2	2	AP1000833	4014486472592
		603247.1	1	AP1003626	4014486488111
		629214.1	1	AP1002317	4014486480054
		629410.1	2	AP1002872	4014486468441
		629732.2	1	AP1000417	4014486520507
		670224.1	1	AP1001158	4014486497380
		671012.1	1	AP1003631	4014486488500
DOMINATOR 98					
0	FOR STRAW CHOPPER	060306.2	1	AP1000723	4014486471151
0	FOR STRAW CHOPPER	060306.3	1	AP1000723	4014486471151
0		603017.3	2	AP1000833	4014486472592
0		629732.2	1	AP1000417	4014486520507
0		673614.1	1	AP1001566	4014486484694
0		713506.2	1	AP1000315	4014486465310
0	MERCEDES ENGINE OM 360	767057.1	1	AP1003333	4014486462609
1	MERCEDES ENGINE OM 352A	629001.0	1	AP1001934	4014486490305
1	MERCEDES ENGINE OM 360	673625.0	1	AP1001793	4014486488005
2	MERCEDES ENGINE OM 352A + PERKINS ENGINE T63544	603378.0	1	AP1003389	4014486462517
2	MERCEDES ENGINE OM 360	767057.0	1	AP1003333	4014486462609
3	AIR CONDITION COMPRESSOR	629908.0	1	AP1002332	4014486478631
3	AIR CONDITION COMPRESSOR	629908.1	1	AP1002332	4014486478631
4	UNLOADER DRIVE	673614.0	1	AP1001566	4014486484694
5	MERCEDES ENGINE OM 352A + PERKINS ENGINE T63544	629000.0	1	AP1003661	4014486490657



DOMINATOR 98 VX LEFT



DOMINATOR 98 VX RIGHT

CLAAS

NR.	DRIVE	PART NUMBER	SET	AP NR.	EAN
5	MERCEDES ENGINE OM 360	671012.0	1	AP1003631	4014486488500
6	FRONT WHEEL SHAFT	603337.0	1	AP1000662	4014486470260
7	SHAKER SHOE DRIVE	603336.0	1	AP1000478	4014486467499
7	SHAKER SHOE DRIVE	603336.1	1	AP1000478	4014486467499
8	STRAW WALKER DRIVE	629732.0	1	AP1000415	4014486466782
9	STRAW WALKER DRIVE	802931.0	1	AP1003456	4014486465945
12	REEL DRIVE	670224.0	1	AP1001158	4014486497380
15	KNIFE DRIVE	713506.0	1	AP1000315	4014486465310
15	KNIFE DRIVE	713506.1	1	AP1000315	4014486465310
15	KNIFE DRIVE	713506.2	1	AP1000315	4014486465310
16	SHAFT BASE 1463 MM	061872.0	2	AP1002867	4014486471939
16	SHAFT BASE 1177 MM	629836.0	1	AP1000746	4014486471427
17	CUTTING TABLE	673638.0	1	AP1001099	4014486496819
18	TRACTION DRIVE	609822.0	1	AP1004575	4014486717662
19	CYLINDER DRIVE	609823.0	1	AP1001225	4014486497809
20	SHAKER SHOE DRIVE	671209.0	1	AP1001039	4014486496383
21	SHAKER SHOE DRIVE	603017.0	2	AP1000833	4014486472592
22	STRAW WALKER DRIVE	506671.0	1	AP1000506	4014486467840
22	STRAW WALKER DRIVE	506671.1	1	AP1000506	4014486467840
22	STRAW WALKER DRIVE	506671.2	1	AP1000506	4014486467840
23	STRAW DISTRIBUTOR	623427.0	1	AP1000410	4014486466737
26	COOLER	603341.0	1	AP1003328	4014486463217
28	FOR STRAW CHOPPER	061214.0	1	AP1000868	4014486473070
28	FOR STRAW CHOPPER	061360.0	1	AP1000870	4014486473094
28	FOR STRAW CHOPPER	061360.1	1	AP1000870	4014486473094
29	FOR STRAW CHOPPER	060306.0	1	AP1000723	4014486471151
30	CYLINDER N=650-1500 RPM	628630.0	1	AP1001208	4014486497670
30	CYLINDER N=500-1400 RPM	644177.0	1	AP1001221	4014486497762
		603017.2	2	AP1000833	4014486472592
		623427.1	1	AP1000409	4014486466720
	MERCEDES ENGINE OM 352A + PERKINS ENGINE T63544	629000.1	1	AP1003661	4014486490657
	MERCEDES ENGINE OM 352A	629001.1	1	AP1001934	4014486490305
		629732.1	1	AP1000416	4014486466799
	SHAFT BASE 1177 MM	629836.1	2	AP1003819	4014486518870
		670224.1	1	AP1001158	4014486497380
	MERCEDES ENGINE OM 360	671012.1	1	AP1003631	4014486488500
		673638.1	1	AP1001099	4014486496819

DOMINATOR 98 VX

0		060306.2	1	AP1000723	4014486471151
0		060306.4	1	AP1000723	4014486471151
0		506671.0	1	AP1000506	4014486467840
0		506671.1	1	AP1000506	4014486467840
0		603017.0	2	AP1000833	4014486472592
0		755070.0	2	AP1002795	4014486463279
0		755070.2	2	AP1002795	4014486463279
1		544048.0	1	AP1001933	4014486490299
2		767057.1	1	AP1003333	4014486462609
3	AIR CONDITIONING COMPRESSOR DRIVE	629908.0	1	AP1002332	4014486478631
3	AIR CONDITIONING COMPRESSOR DRIVE	629908.1	1	AP1002332	4014486478631
4		629769.0	1	AP1002699	4014486484922
4		629769.1	1	AP1002699	4014486484922
5	THRESHING MACHINE	661458.0	1	AP1001957	4014486490640
6	FRONT WHEEL SHAFT	603337.0	1	AP1000662	4014486470260
7	SHAKER SHOE DRIVE	603336.0	1	AP1000478	4014486467499
7	SHAKER SHOE DRIVE	603336.1	1	AP1000478	4014486467499
9	STRAW WALKER DRIVE	802931.0	1	AP1003456	4014486465945



CLAAS

NR.	DRIVE	PART NUMBER	SET	AP NR.	EAN
10	STRAW DISTRIBUTOR	623427.1	1	AP1000409	4014486466720
11	STRAW DISTRIBUTOR	755070.1	2	AP1002795	4014486463279
12	STRAW DISTRIBUTOR	066034.0	1	AP1000302	4014486465037
12	STRAW DISTRIBUTOR	785341.0	1	AP1000295	4014486464870
14	STRAW CHOPPER DRIVE	061214.0	1	AP1000868	4014486473070
15	SHAKER SHOE DRIVE	671209.0	1	AP1001039	4014486496383
16	KNIFE DRIVE	603017.3	2	AP1000833	4014486472592
18	COUNTERSHAFT	060306.3	1	AP1000723	4014486471151
20	STRAW WALKER DRIVE	506671.2	1	AP1000506	4014486467840
21	COOLER	661345.0	1	AP1000160	4014486461824
22	COUNTERSHAFT	657793.0	1	AP1000107	4014486461114
23	CYLINDER DRIVE	644418.0	1	AP1001212	4014486497717
24	AIR EXHAUST	644448.0	1	AP1000139	4014486461565
25	CYLINDER DRIVE	609823.0	1	AP1001225	4014486497809
26	THRESHING MACHINE	661220.0	1	AP1003340	4014486488807
26	THRESHING MACHINE	661220.1	1	AP1003340	4014486488807
		603017.2	2	AP1000833	4014486472592
		644418.1	1	AP1001212	4014486497717
		661458.1	1	AP1001957	4014486490640

EUROPA

0	HYDRAULIC PUMP DRIVE	755070.1	2	AP1002795	4014486463279
0	HYDRAULIC PUMP DRIVE	755070.2	2	AP1002795	4014486463279
0	RADIATOR FAN DRIVE	758662.1	1	AP1000240	4014486463484
0		772657.1	1	AP1000619	4014486469592
1	BALER	506880.0	1	AP1000901	4014486473476
2	KNIFE DRIVE	756051.0	1	AP1000596	4014486469257
3	TANK UNLOADER DRIVE	756051.0	1	AP1000596	4014486469257
3	TANK UNLOADER DRIVE	756059.0	1	AP1000889	4014486520286
4	RADIATOR FAN DRIVE	758662.0	1	AP1000240	4014486463484
4	RADIATOR FAN DRIVE	758719.0	1	AP1003405	4014486463309
5	CUTTING TABLE DRIVE	772657.0	1	AP1000619	4014486469592
6	SPREADER GRAIN IN TANK	775698.0	1	AP1000272	4014486464429
7	PICK UP DRIVE	800309.0	1	AP1000288	4014486464726
8	STRAW CHOPPER DRIVE	506940.0	1	AP1000934	4014486473858
10	HYDRAULIC PUMP DRIVE	755070.0	2	AP1002795	4014486463279
11	TRACTION DRIVE	750284.0	1	AP1000891	4014486473339
11	TRACTION DRIVE	750316.0	1	AP1000454	4014486467239
13	TRACTION DRIVE	751112.0	1	AP1001161	4014486497427
14	SHAKER SHOE FANBALER	772658.0	1	AP1000935	4014486473865
14	SHAKER SHOE FANBALER	772659.0	1	AP1000937	4014486473889
15	STRAW WALKER ELEVATOR	773313.0	1	AP1000480	4014486467512
15	STRAW WALKER ELEVATOR	774100.0	1	AP1000517	4014486467970
16	COUNTERSHAFT - STRAW CHOPPER	801221.0	1	AP1004103	4014486473315
22	CHAFF SPREADER DRIVE (LOWER)	123306A1	1	AP1002307	4014486479959

JAGUAR 60

2	ANGLE GEAR BOX N=540 RPM	943227.0	2	AP1000224	4014486462913
4	ANGLE GEAR BOX N=1000 RPM	211148.0	1	AP1002114	4014486476156
4	ANGLE GEAR BOX N=1000 RPM	211148.1	1	AP1002114	4014486476156

JAGUAR 675

0		673614.1	1	AP1001566	4014486484694
1	FEEDER DRIVE	629836.0	1	AP1000746	4014486471427
2		070310.1	1	AP1000380	4014486466430
3	FOR CORN - CRACKER	629769.0	1	AP1002699	4014486484922
3	FOR CORN - CRACKER	629769.1	1	AP1002699	4014486484922



CLAAS

NR.	DRIVE	PART NUMBER	SET	AP NR.	EAN
4		070953.1	1	AP1002020	4014486491555
5		609823.0	1	AP1001225	4014486497809
6		644016.1	1	AP1001800	4014486488104
7	FOR HYDRAULIC PUMP	750193.1	1	AP1003399	4014486462937
7	FOR HYDRAULIC PUMP	750193.2	1	AP1003399	4014486462937
8	FOR AIR CONDITIONING	659025.0	1	AP1000094	4014486460926
9	FOR CORN - CRACKER	072110.0	1	AP1001182	4014486490206
10		673614.0	1	AP1001566	4014486484694
14	FOR ALTERNATOR AT OM 421	133528.0	1	AP1002560	4014486495102
15	COOLING AT OM 421	133630.1	2	AP1002961	4014486495058
15	COOLING AND ALTERNATOR AT OM 360	685693.0	2	AP1003773	4014486495065
	FEEDER DRIVE	629836.1	2	AP1003819	4014486518870

JAGUAR 675 HYDRO

0		673614.1	1	AP1001566	4014486484694
0	FOR HYDRAULIC PUMP	750193.1	1	AP1003399	4014486462937
1	FEEDER DRIVE	629836.0	1	AP1000746	4014486471427
2		070310.1	1	AP1000380	4014486466430
3	FOR CORN CRACKER	629769.0	1	AP1002699	4014486484922
3	FOR CORN CRACKER	629769.1	1	AP1002699	4014486484922
4		070953.1	1	AP1002020	4014486491555
5	FOR HYDRAULIC PUMP	750193.2	1	AP1003399	4014486462937
6	FOR AIR CONDITIONING	659025.0	1	AP1000094	4014486460926
7		176543.1	1	AP1001793	4014486488005
9	FOR CORN CRACKER	072110.0	1	AP1001182	4014486490206
10		673614.0	1	AP1001566	4014486484694
13	FOR ALTERNATOR	133528.0	1	AP1002560	4014486495102
14	FOR COOLING	133630.1	2	AP1002961	4014486495058
	FEEDER DRIVE	629836.1	2	AP1003819	4014486518870

JAGUAR 680

0		673614.1	1	AP1001566	4014486484694
0	FOR HYDRAULIC PUMP	750193.1	1	AP1003399	4014486462937
1	FEEDER DRIVE	629836.0	1	AP1000746	4014486471427
2		070310.1	1	AP1000380	4014486466430
3	FOR CORN CRACKER	629769.0	1	AP1002699	4014486484922
3	FOR CORN CRACKER	629769.1	1	AP1002699	4014486484922
4		070953.1	1	AP1002020	4014486491555
5		609823.0	1	AP1001225	4014486497809
6		644016.1	1	AP1001800	4014486488104
7	FOR HYDRAULIC PUMP	750193.2	1	AP1003399	4014486462937
8	FOR AIR CONDITIONING	659025.0	1	AP1000094	4014486460926
9	FOR CORN CRACKER	072110.0	1	AP1001182	4014486490206
10		673614.0	1	AP1001566	4014486484694
14	FOR ALTERNATOR AT OM 421	133528.0	1	AP1002560	4014486495102
15	COOLING AT OM 421	133630.1	2	AP1002961	4014486495058
15	COOLING AND ALTERNATOR AT OM 360	685693.0	2	AP1003773	4014486495065
	FEEDER DRIVE	629836.1	2	AP1003819	4014486518870

JAGUAR 680 HYDRO

0		673614.1	1	AP1001566	4014486484694
0	FOR HYDRAULIC PUMP	750193.1	1	AP1003399	4014486462937
1		629836.0	1	AP1000746	4014486471427
2		070310.1	1	AP1000380	4014486466430
3	FOR CORN CRACKER	629769.0	1	AP1002699	4014486484922
3	FOR CORN CRACKER	629769.1	1	AP1002699	4014486484922
4		070953.1	1	AP1002020	4014486491555



CLAAS

NR.	DRIVE	PART NUMBER	SET	AP NR.	EAN
5	FOR HYDRAULIC PUMP	750193.2	1	AP1003399	4014486462937
6	FOR AIR CONDITIONING	659025.0	1	AP1000094	4014486460926
7		176543.1	1	AP1001793	4014486488005
9	FOR CORN CRACKER	072110.0	1	AP1001182	4014486490206
10		673614.0	1	AP1001566	4014486484694
13	FOR ALTERNATOR	133528.0	1	AP1002560	4014486495102
14	FOR COOLING	133630.1	2	AP1002961	4014486495058
		629836.1	2	AP1003819	4014486518870

JAGUAR 682

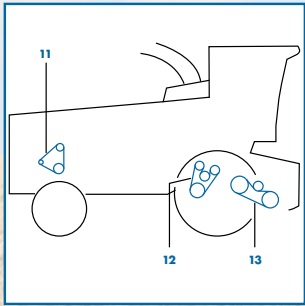
0	FOR ACCELERATOR	629732.0	1	AP1000415	4014486466782
0	FOR ACCELERATOR	629732.1	1	AP1000416	4014486466799
0	AT 6G - TRANSMISSION	673614.1	1	AP1001566	4014486484694
1	FOR ACCELERATOR	629732.2	1	AP1000417	4014486520507
2	FOR SLIP DRIVE	070310.1	1	AP1000380	4014486466430
3	FOR HYDRAULIC PUMP FROM NO. 18600322	634019.0	2	AP1002792	4014486464368
3	FOR HYDRAULIC PUMP FROM NO. 18600322	634019.1	2	AP1002792	4014486464368
3	FOR HYDRAULIC PUMP FROM NO. 18600322	634019.2	2	AP1002792	4014486464368
3	FOR HYDRAULIC PUMP TO NO. 18600321	750294.0	1	AP1000251	4014486463897
7	FOR CORN CRACKER	629763.0	1	AP1003593	4014486484977
8	FOR CHOPPER DRUM	073202.1	1	AP1002012	4014486491425
9	AT HYDRAULIC GROUND DRIVE	073203.0	1	AP1001810	4014486488227
9	AT HYDRAULIC GROUND DRIVE	073203.1	1	AP1001810	4014486488227
9	AT MECHANICAL GROUND DRIVE	629756.0	1	AP1001209	4014486497687
10	MOTOR - INTERMEDIATE DRIVE FROM NO. 18600322	073199.0	1	AP1002004	4014486491319
10	MOTOR - INTERMEDIATE DRIVE TO NO. 18600321	073201.1	1	AP1002004	4014486491319
11	ALTERNATOR MERCEDES FROM NO. 18600322	133641.0	1	AP1002596	4014486496017
11	ALTERNATOR PERKINS TO NO. 18600321	602387.1	2	AP1002584	4014486495706
12	FOR CORN CRACKER	073204.0	1	AP1001183	4014486490213
12	FOR CORN CRACKER	073204.1	1	AP1001183	4014486490213
13	AT 4G - CHAIN DRIVE	644015.1	1	AP1002913	4014486484601
13	AT 6G - TRANSMISSION	673614.0	1	AP1001566	4014486484694

JAGUAR 682 S

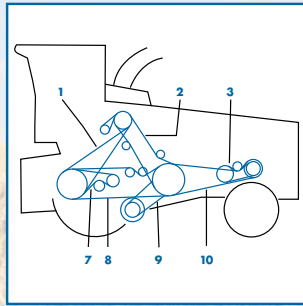
0	ENGINE	073201.1	1	AP1002004	4014486491319
0	THRESHING DRUM VARIATOR DRIVE	073202.1	1	AP1002012	4014486491425
1	DRUM DRIVE VARIABLE SPEED	629732.2	1	AP1000417	4014486520507
2	STRAW WALKER DRIVE	070310.1	1	AP1000380	4014486466430
3	HYDRAULIC PUMP DRIVE	750294.0	1	AP1000251	4014486463897
7	CORN CRACKER DRIVE	629763.0	1	AP1003593	4014486484977
8	THRESHING DRUM VARIATOR DRIVE	073202.0	1	AP1002012	4014486491425
9	HYDROSTATIC SPEED DRIVE	073203.0	1	AP1001810	4014486488227
9	HYDROSTATIC SPEED DRIVE	073203.1	1	AP1001810	4014486488227
9	MECHANICAL DRIVE	629756.0	1	AP1001209	4014486497687
10	ENGINE	073201.0	1	AP1002004	4014486491319
11	ALTERNATOR DRIVE	602387.0	2	AP1002584	4014486495706
12	CORN CRACKER DRIVE	073204.0	1	AP1001183	4014486490213
12	CORN CRACKER DRIVE	073204.1	1	AP1001183	4014486490213
13	FEEDER DRIVE	644015.1	1	AP1002913	4014486484601
13	FEEDER DRIVE	673614.0	1	AP1001566	4014486484694

JAGUAR 682 SL

0	ENGINE	073201.1	1	AP1002004	4014486491319
0	THRESHING DRUM VARIATOR DRIVE	073202.1	1	AP1002012	4014486491425
1	DRUM DRIVE VARIABLE SPEED	629732.2	1	AP1000417	4014486520507
2	STRAW WALKER DRIVE	070310.1	1	AP1000380	4014486466430
3	HYDRAULIC PUMP DRIVE	750294.0	1	AP1000251	4014486463897



JAGUAR 682S LEFT



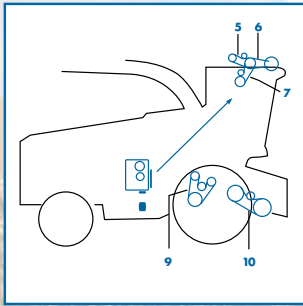
JAGUAR 682S RIGHT

CLAAS

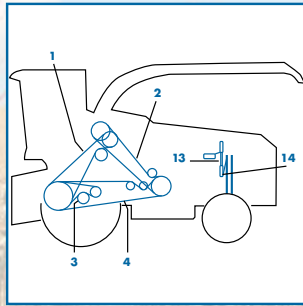
NR.	DRIVE	PART NUMBER	SET	AP NR.	EAN
7	CORN CRACKER DRIVE	629763.0	1	AP1003593	4014486484977
8	THRESHING DRUM VARIATOR DRIVE	073202.0	1	AP1002012	4014486491425
9	HYDROSTATIC SPEED DRIVE	073203.0	1	AP1001810	4014486488227
9	HYDROSTATIC SPEED DRIVE	073203.1	1	AP1001810	4014486488227
9	MECHANICAL DRIVE	629756.0	1	AP1001209	4014486497687
10	ENGINE	073201.0	1	AP1002004	4014486491319
11	ALTERNATOR DRIVE	602387.0	2	AP1002584	4014486495706
12	CORN CRACKER DRIVE	073204.0	1	AP1001183	4014486490213
12	CORN CRACKER DRIVE	073204.1	1	AP1001183	4014486490213
13	FEEDER DRIVE	644015.1	1	AP1002913	4014486484601
13	FEEDER DRIVE	673614.0	1	AP1001566	4014486484694

JAGUAR 682S

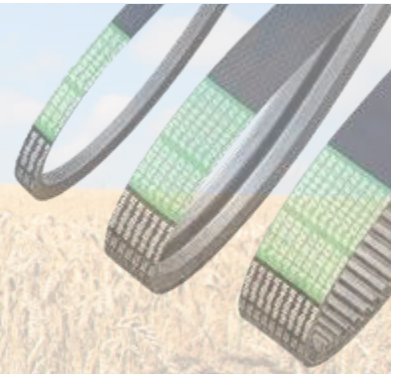
0	ALTERNATOR DRIVE	602387.0	2	AP1002584	4014486495706
0	ALTERNATOR DRIVE	602387.1	2	AP1002584	4014486495706
0	DRUM DRIVE VARIABLE SPEED	629732.0	1	AP1000415	4014486466782
0	DRUM DRIVE VARIABLE SPEED	629732.1	1	AP1000416	4014486466799
0	DRUM DRIVE VARIABLE SPEED	629732.2	1	AP1000417	4014486520507
0	FEEDER DRIVE	673614.0	1	AP1001566	4014486484694
0	FEEDER DRIVE	673614.1	1	AP1001566	4014486484694



685 - 690 LEFT

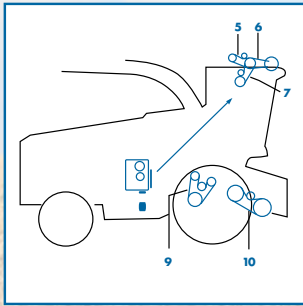


685 - 690 RIGHT

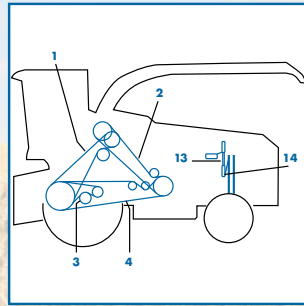


CLAAS

NR.	DRIVE	PART NUMBER	SET	AP NR.	EAN
JAGUAR 682SL					
0	ALTERNATOR DRIVE	602387.0	2	AP1002584	4014486495706
0	ALTERNATOR DRIVE	602387.1	2	AP1002584	4014486495706
0	DRUM DRIVE VARIABLE SPEED	629732.0	1	AP1000415	4014486466782
0	DRUM DRIVE VARIABLE SPEED	629732.1	1	AP1000416	4014486466799
0	DRUM DRIVE VARIABLE SPEED	629732.2	1	AP1000417	4014486520507
0	FEEDER DRIVE	673614.0	1	AP1001566	4014486484694
0	FEEDER DRIVE	673614.1	1	AP1001566	4014486484694
JAGUAR 685					
0	COOLING FAN	133630.1	2	AP1002961	4014486495058
0	HYDRAULIC SPEED DRIVE	176543.1	1	AP1001793	4014486488005
0	CHOPPER DRIVE	673614.1	1	AP1001566	4014486484694
0	FOR COMBINE PLATFORM	673614.1	1	AP1001566	4014486484694
0	HYDRAULIC PUMP DRIVE	750193.1	1	AP1003399	4014486462937
1	DRUM DRIVE	629836.0	1	AP1000746	4014486471427
2	FEEDER DRIVE	070310.1	1	AP1000380	4014486466430
3	LEFT CORN-CRACKER DRIVE	629769.0	1	AP1002699	4014486484922
3	LEFT CORN-CRACKER DRIVE	629769.1	1	AP1002699	4014486484922
4	HEAD DRUM DRIVE	070952.0	1	AP1001264	4014486492293
4	HEAD DRUM DRIVE	070952.1	1	AP1001264	4014486492293
4	HEAD DRUM DRIVE	070952.2	1	AP1001264	4014486492293
5	HYDRAULIC PUMP DRIVE	750193.2	1	AP1003399	4014486462937
6	AIR CONDITIONING COMPRESSOR DRIVE	659025.0	1	AP1000094	4014486460926
7	HYDRAULIC SPEED DRIVE	176543.0	1	AP1001793	4014486488005
7	HYDRAULIC SPEED DRIVE	673625.0	1	AP1001793	4014486488005
9	CORN - CRACKER DRIVE RIGHT	072110.0	1	AP1001182	4014486490206
10	CHOPPER DRIVE	673614.0	1	AP1001566	4014486484694
13	ALTERNATOR DRIVE	133528.0	1	AP1002560	4014486495102
14	COOLING FAN	133630.0	2	AP1002961	4014486495058
15	FOR COMBINE PLATFORM	673614.0	1	AP1001566	4014486484694
	DRUM DRIVE	629836.1	2	AP1003819	4014486518870
JAGUAR 685 SL					
0	COOLING FAN	133630.1	2	AP1002961	4014486495058
0	DRUM DRIVE VARIABLE SPEED	176543.1	1	AP1001793	4014486488005
0	FEEDER DRIVE	673614.1	1	AP1001566	4014486484694
0	FOR COMBINE PLATFORM	673614.1	1	AP1001566	4014486484694
0	HYDRAULIC PUMP DRIVE	750193.1	1	AP1003399	4014486462937
1	DRUM DRIVE	629836.0	1	AP1000746	4014486471427
2	FEEDER DRIVE	070310.1	1	AP1000380	4014486466430
3	ALTERNATOR DRIVE	133528.0	1	AP1002560	4014486495102
4	COOLING FAN	133630.0	2	AP1002961	4014486495058
5	CORN CRACKER DRIVE	629763.0	1	AP1003593	4014486484977
6	FOR JAGUAR 690/685 SL	070952.0	1	AP1001264	4014486492293
6	FOR JAGUAR 690/685 SL	070952.1	1	AP1001264	4014486492293
6	FOR JAGUAR 690/685 SL	070952.2	1	AP1001264	4014486492293
6	FOR JAGUAR 690/685 SL	074803.0	1	AP1001266	4014486492316
6	FOR JAGUAR 690/685 SL	074803.1	1	AP1001266	4014486492316
6	AT JAGUAR 685 SL FROM NO. 18800012	074803.2	1	AP1001266	4014486492316
7	HYDRAULIC PUMP DRIVE	750193.2	1	AP1003399	4014486462937
8	AIR CONDITIONING COMPRESSOR DRIVE	659025.0	1	AP1000094	4014486460926
9	DRUM DRIVE VARIABLE SPEED	176543.0	1	AP1001793	4014486488005
10	CORN CRACKER DRIVE	073204.0	1	AP1001183	4014486490213
10	CORN CRACKER DRIVE	073204.1	1	AP1001183	4014486490213
11	FEEDER DRIVE	673614.0	1	AP1001566	4014486484694



685 - 690 LEFT



685 - 690 RIGHT

CLAAS

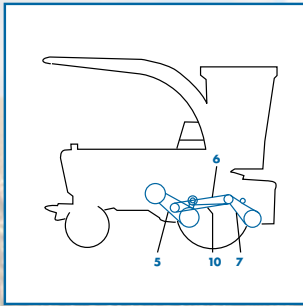
NR.	DRIVE	PART NUMBER	SET	AP NR.	EAN
15	FOR COMBINE PLATFORM	673614.0	1	AP1001566	4014486484694
	DRUM DRIVE	629836.1	2	AP1003819	4014486518870

JAGUAR 690

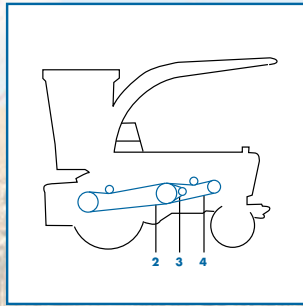
0	COOLING FAN	133630.1	2	AP1002961	4014486495058
0	HYDRAULIC SPEED DRIVE	176543.1	1	AP1001793	4014486488005
0	CHOPPER DRIVE	673614.1	1	AP1001566	4014486484694
0	FOR COMBINE PLATFORM	673614.1	1	AP1001566	4014486484694
0	HYDRAULIC PUMP DRIVE	750193.1	1	AP1003399	4014486462937
1	DRUM DRIVE	629836.0	1	AP1000746	4014486471427
2	FEEDER DRIVE	070310.1	1	AP1000380	4014486466430
3	LEFT CORN-CRACKER DRIVE	629769.0	1	AP1002699	4014486484922
3	LEFT CORN-CRACKER DRIVE	629769.1	1	AP1002699	4014486484922
4	HEAD DRUM DRIVE	070952.0	1	AP1001264	4014486492293
4	HEAD DRUM DRIVE	070952.1	1	AP1001264	4014486492293
4	HEAD DRUM DRIVE	070952.2	1	AP1001264	4014486492293
5	HYDRAULIC PUMP DRIVE	750193.2	1	AP1003399	4014486462937
6	AIR CONDITIONING COMPRESSOR DRIVE	659025.0	1	AP1000094	4014486460926
7	HYDRAULIC SPEED DRIVE	176543.0	1	AP1001793	4014486488005
7	HYDRAULIC SPEED DRIVE	673625.0	1	AP1001793	4014486488005
9	CORN - CRACKER DRIVE RIGHT	072110.0	1	AP1001182	4014486490206
10	CHOPPER DRIVE	673614.0	1	AP1001566	4014486484694
13	ALTERNATOR DRIVE	133528.0	1	AP1002560	4014486495102
14	COOLING FAN	133630.0	2	AP1002961	4014486495058
15	FOR COMBINE PLATFORM	673614.0	1	AP1001566	4014486484694
	DRUM DRIVE	629836.1	2	AP1003819	4014486518870

JAGUAR 690 SL

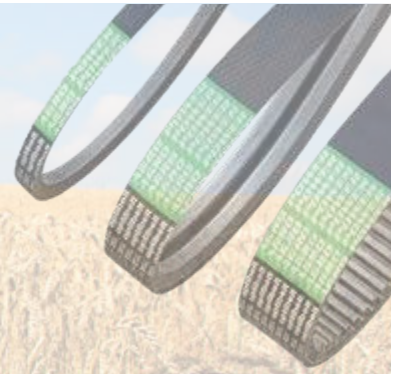
0	AT JAGUAR 690 SL FROM NO. 18800012	074803.0	1	AP1001266	4014486492316
0	AT JAGUAR 690 SL FROM NO. 18800012	074803.1	1	AP1001266	4014486492316
0	FOR FEEDER DRIVE	673614.1	1	AP1001566	4014486484694
0	FOR HYDRAULIC PUMP	750193.1	1	AP1003399	4014486462937
1	FOR ACCELERATOR	629836.0	1	AP1000746	4014486471427
1	FOR ACCELERATOR	629836.1	2	AP1003819	4014486518870
2	FOR SLIP DRIVE	070310.1	1	AP1000380	4014486466430
3	FOR ALTERNATOR	133528.0	1	AP1002560	4014486495102
4	FOR MOTOR COOLING	133630.1	2	AP1002961	4014486495058
5	FOR CORN CRACKER	629763.0	1	AP1003593	4014486484977
6	AT JAGUAR 690 SL TO NO. 18800011	070952.0	1	AP1001264	4014486492293
6	AT JAGUAR 690 SL TO NO. 18800011	070952.1	1	AP1001264	4014486492293
6	AT JAGUAR 690 SL TO NO. 18800011	070952.2	1	AP1001264	4014486492293
6	AT JAGUAR 690 SL FROM NO. 18800012	074803.2	1	AP1001266	4014486492316
7	FOR HYDRAULIC PUMP	750193.2	1	AP1003399	4014486462937
8	FOR AIR CONDITIONING	659025.0	1	AP1000094	4014486460926
9	FOR GROUND DRIVE	176543.1	1	AP1001793	4014486488005
10	FOR CORN CRACKER	073204.0	1	AP1001183	4014486490213
10	FOR CORN CRACKER	073204.1	1	AP1001183	4014486490213
11	FOR FEEDER DRIVE	673614.0	1	AP1001566	4014486484694



JAGUAR 70 SF LEFT



JAGUAR 70 SF RIGHT



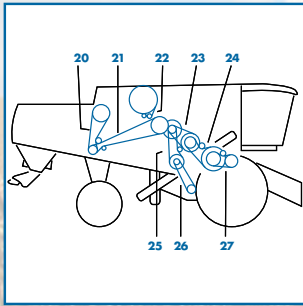
CLAAS

NR.	DRIVE	PART NUMBER	SET	AP NR.	EAN
JAGUAR 695 SL					
0	COOLING FAN	133630.1	2	AP1002961	4014486495058
0	DRUM DRIVE VARIABLE SPEED	176543.1	1	AP1001793	4014486488005
0	FEEDER DRIVE	673614.1	1	AP1001566	4014486484694
0	FOR COMBINE PLATFORM	673614.1	1	AP1001566	4014486484694
0	HYDRAULIC PUMP DRIVE	750193.1	1	AP1003399	4014486462937
1	DRUM DRIVE	629836.0	1	AP1000746	4014486471427
2	FEEDER DRIVE	070310.1	1	AP1000380	4014486466430
3	ALTERNATOR DRIVE	133528.0	1	AP1002560	4014486495102
4	COOLING FAN	133630.0	2	AP1002961	4014486495058
5	CORN CRACKER DRIVE	629763.0	1	AP1003593	4014486484977
6	FOR JAGUAR 695 SL	074771.0	1	AP1001267	4014486492323
6	FOR JAGUAR 695 SL	074771.1	1	AP1001267	4014486492323
6	FOR JAGUAR 695 SL	074771.2	1	AP1001267	4014486492323
7	HYDRAULIC PUMP DRIVE	750193.2	1	AP1003399	4014486462937
8	AIR CONDITIONING COMPRESSOR DRIVE	659025.0	1	AP1000094	4014486460926
9	DRUM DRIVE VARIABLE SPEED	176543.0	1	AP1001793	4014486488005
10	CORN CRACKER DRIVE	073204.0	1	AP1001183	4014486490213
10	CORN CRACKER DRIVE	073204.1	1	AP1001183	4014486490213
11	FEEDER DRIVE	673614.0	1	AP1001566	4014486484694
15	FOR COMBINE PLATFORM	673614.0	1	AP1001566	4014486484694
	DRUM DRIVE	629836.1	2	AP1003819	4014486518870
JAGUAR 70 SF					
0	HYDRAULIC PUMP DRIVE	633030.0	1	AP1000220	4014486462838
2	DRUM DRIVE VARIABLE SPEED	063309.0	1	AP1002003	4014486491296
3	HYDRAULIC PUMP DRIVE	633030.1	1	AP1000220	4014486462838
4	ENGINE	063285.0	1	AP1001245	4014486492002
5	DRUM DRIVE VARIABLE SPEED	629737.0	1	AP1001511	4014486460285
6	FEEDER DRIVE	618123.0	1	AP1000284	4014486464641
7	FEEDER DRIVE	063940.0	1	AP1000580	4014486468977
10	FEEDER DRIVE	062294.0	1	AP1001351	4014486474640
	HYDRAULIC PUMP DRIVE	633030.2	1	AP1000220	4014486462838
JAGUAR 71					
1	FEEDER SHAFT (UPPER)	981678.0	1	AP1001547	4014486484465
JAGUAR 75					
1	FEEDER SHAFT (UPPER)	981678.0	1	AP1001547	4014486484465
JAGUAR 800					
1	FEEDER SHAFT (UPPER)	981678.0	1	AP1001547	4014486484465
1	FEEDER SHAFT (UPPER)	981678.0	1	AP1001547	4014486484465
0	FOR ACCELERATOR	629732.0	1	AP1000415	4014486466782
0	FOR ACCELERATOR	629732.1	1	AP1000416	4014486466799
1	FOR ACCELERATOR	629732.2	1	AP1000417	4014486520507
2	FOR SLIP DRIVE	070310.1	1	AP1000380	4014486466430
3	FOR HYDRAULIC PUMP	634019.0	2	AP1002792	4014486464368
3	FOR HYDRAULIC PUMP	634019.1	2	AP1002792	4014486464368
3	FOR HYDRAULIC PUMP	634019.2	2	AP1002792	4014486464368
4	FOR CORN CRACKER	629763.0	1	AP1003593	4014486484977
5	FOR CHOPPER DRUM	073202.1	1	AP1002012	4014486491425
6	AT HYDRAULIC GROUND DRIVE	073203.0	1	AP1001810	4014486488227
6	AT HYDRAULIC GROUND DRIVE	073203.1	1	AP1001810	4014486488227
6	AT MECHANICAL GROUND DRIVE	629756.0	1	AP1001209	4014486497687
7	MOTOR - INTERMEDIATE DRIVE	073199.0	1	AP1002004	4014486491319

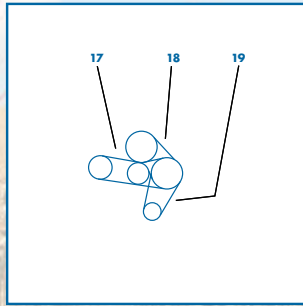


CLAAS

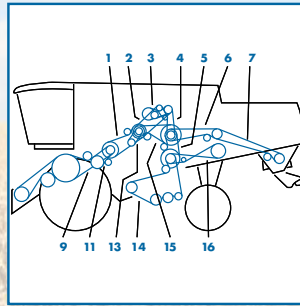
NR.	DRIVE	PART NUMBER	SET	AP NR.	EAN
8	FOR AIR CONDITIONING	667560.0	1	AP1002597	4014486496024
8	FOR AIR CONDITIONING	667560.1	1	AP1002597	4014486496024
9	FOR ALTERNATOR	133641.0	1	AP1002596	4014486496017
10	FOR CORN CRACKER	073204.0	1	AP1001183	4014486490213
10	FOR CORN CRACKER	073204.1	1	AP1001183	4014486490213
11	FOR FEEDER HOUSING	673614.1	1	AP1001566	4014486484694
JAGUAR 820					
1	MAIN DRIVE	077796.0	1	AP1001314	4014486492774
1	MAIN DRIVE	077797.0	1	AP1001270	4014486492378
2	ALTERNATOR DRIVE	512087.0	1	AP1002588	4014486495812
3	COMPRESSOR DRIVE	052393.1	1	AP1004358	4014486714029
4	FAN DRIVE	077400.0	1	AP1000282	4014486464597
5	CLEANING FAN DRIVE	077276.0	1	AP1000177	4014486462067
6	CORN CRACKER DRIVE	076403.1	1	AP1001186	4014486490244
JAGUAR 830					
0	CHOPPER DRIVE	984885.1	1	AP1001810	4014486488227
1	MAIN DRIVE	067745.0	1	AP1001271	4014486492385
2	FAN DRIVE FOR OM 502 LA	067289.0	1	AP1004700	4014486716474
2	FAN DRIVE FOR OM 457 LA	067290.0	1	AP1004463	4014486712155
2	FAN DRIVE FOR OM 460 LA	142232.0	1	AP1003950	4014486483581
3	CORN CRACKER DRIVE	067789.0	1	AP1001292	4014486492446
3	CORN CRACKER DRIVE	076403.1	1	AP1001186	4014486490244
4	CHOPPER DRIVE	984885.0	1	AP1001810	4014486488227
4	CHOPPER DRIVE	987883.0	1	AP1001943	4014486490435
JAGUAR 840					
1	MAIN DRIVE	077796.0	1	AP1001314	4014486492774
1	MAIN DRIVE	077797.0	1	AP1001270	4014486492378
2	ALTERNATOR DRIVE	512087.0	1	AP1002588	4014486495812
3	COMPRESSOR DRIVE	052393.1	1	AP1004358	4014486714029
4	FAN DRIVE	077400.0	1	AP1000282	4014486464597
5	CLEANING FAN DRIVE	077276.0	1	AP1000177	4014486462067
6	CORN CRACKER DRIVE	076403.1	1	AP1001186	4014486490244
JAGUAR 85					
0		633030.0	1	AP1000220	4014486462838
0	GRAIN TANK UNLOADING	673614.1	1	AP1001566	4014486484694
2	GRAIN TANK UNLOADING	673614.0	1	AP1001566	4014486484694
6		633030.2	1	AP1000220	4014486462838
		633030.1	1	AP1000220	4014486462838
JAGUAR 850					
0	CHOPPER DRIVE	984885.1	1	AP1001810	4014486488227
1	MAIN DRIVE	067746.0	1	AP1001315	4014486492781
2	FAN DRIVE FOR OM 502 LA	067289.0	1	AP1004700	4014486716474
2	FAN DRIVE FOR OM 457 LA	067290.0	1	AP1004463	4014486712155
2	FAN DRIVE FOR OM 460 LA	142232.0	1	AP1003950	4014486483581
3	CORN CRACKER DRIVE	067789.0	1	AP1001292	4014486492446
3	CORN CRACKER DRIVE	076403.1	1	AP1001186	4014486490244
4	CHOPPER DRIVE	984885.0	1	AP1001810	4014486488227
4	CHOPPER DRIVE	987883.0	1	AP1001943	4014486490435



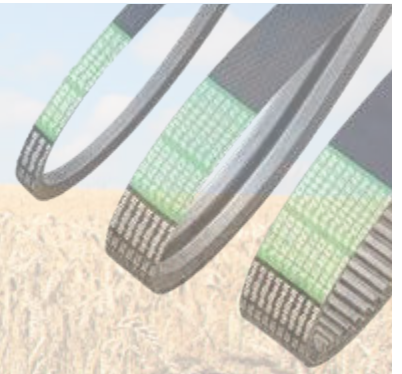
LEXION 405 LEFT



LEXION 405 MIDDLE

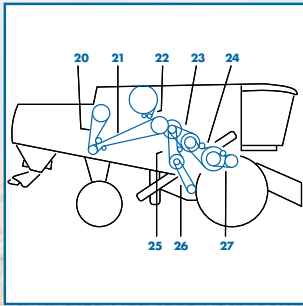


LEXION 405 RIGHT

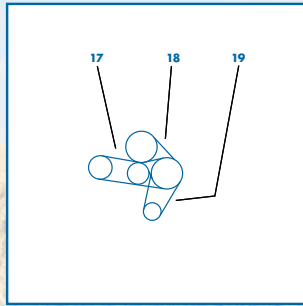


CLAAS

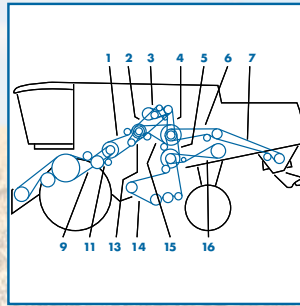
NR.	DRIVE	PART NUMBER	SET	AP NR.	EAN
JAGUAR 8500 C					
0		721211.0	1	AP1000115	4014486461237
JAGUAR 8550					
0		721211.0	1	AP1000115	4014486461237
JAGUAR 870					
0	CHOPPER DRIVE	984885.1	1	AP1001810	4014486488227
1	MAIN DRIVE	067746.0	1	AP1001315	4014486492781
2	FAN DRIVE FOR OM 502 LA	067289.0	1	AP1004700	4014486716474
2	FAN DRIVE FOR OM 457 LA	067290.0	1	AP1004463	4014486712155
2	FAN DRIVE FOR OM 460 LA	142232.0	1	AP1003950	4014486483581
3	CORN CRACKER DRIVE	067789.0	1	AP1001292	4014486492446
3	CORN CRACKER DRIVE	076403.1	1	AP1001186	4014486490244
4	CHOPPER DRIVE	984885.0	1	AP1001810	4014486488227
4	CHOPPER DRIVE	987883.0	1	AP1001943	4014486490435
JAGUAR 8700					
0		721211.0	1	AP1000115	4014486461237
JAGUAR 890					
0	CHOPPER DRIVE	984885.1	1	AP1001810	4014486488227
1	MAIN DRIVE	067747.0	1	AP1001325	4014486492880
1	MAIN DRIVE	067747.1	1	AP1001325	4014486492880
2	FAN DRIVE FOR OM 502 LA	067289.0	1	AP1004700	4014486716474
2	FAN DRIVE FOR OM 457 LA	067290.0	1	AP1004463	4014486712155
2	FAN DRIVE FOR OM 460 LA	142232.0	1	AP1003950	4014486483581
3	CORN CRACKER DRIVE	067789.0	1	AP1001292	4014486492446
3	CORN CRACKER DRIVE	076403.1	1	AP1001186	4014486490244
4	CHOPPER DRIVE	984885.0	1	AP1001810	4014486488227
4	CHOPPER DRIVE	987883.0	1	AP1001943	4014486490435
JAGUAR 900					
0	CHOPPER DRIVE	984885.1	1	AP1001810	4014486488227
1	MAIN DRIVE	067747.1	1	AP1001325	4014486492880
2	FAN DRIVE FOR OM 502 LA	067289.0	1	AP1004700	4014486716474
2	FAN DRIVE FOR OM 457 LA	067290.0	1	AP1004463	4014486712155
2	FAN DRIVE FOR OM 460 LA	142232.0	1	AP1003950	4014486483581
3	CORN CRACKER DRIVE	067789.0	1	AP1001292	4014486492446
3	CORN CRACKER DRIVE	076403.1	1	AP1001186	4014486490244
4	CHOPPER DRIVE	984885.0	1	AP1001810	4014486488227
4	CHOPPER DRIVE	987883.0	1	AP1001943	4014486490435
LEXION 405					
0	SIEVE PAN DRIVE - 1ST STAGE	644209.2	1	AP1004843	4014486715668
0	THRESHING DRUM VARIATOR DRIVE	667248.0	1	AP1001317	4014486497908
0	THRESHING DRUM VARIATOR DRIVE	667248.1	1	AP1001317	4014486497908
0	THRESHING DRUM VARIATOR DRIVE	667248.2	1	AP1001317	4014486497908
0	STRAW CHOPPER DRIVE - 1ST STAGE	667981.0	1	AP1001589	4014486485011
0	KNIFE DRIVE	742025.0	1	AP1000650	4014486470123
1	CUTTERBAR DRIVE	667947.0	1	AP1001633	4014486485783
2	THRESHING MACHINE	667680.0	1	AP1003353	4014486490978
3	DISCHARGE DRIVE GRAIN TANK	667681.0	1	AP1001583	4014486484908
4	STRAW CHOPPER DRIVE - 1ST STAGE	667981.2	1	AP1001588	4014486484991
5	SIEVE PAN DRIVE - 2ND STAGE	667252.0	1	AP1003602	4014486485349
6	STRAW CHOPPER DRIVE - 2ND STAGE	667683.0	1	AP1000738	4014486471335



LEXION 410 LEFT



LEXION 410 MIDDLE



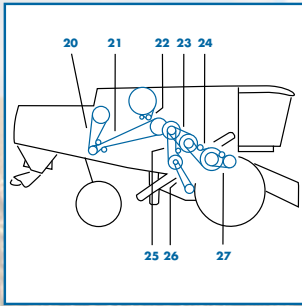
LEXION 410 RIGHT

CLAAS

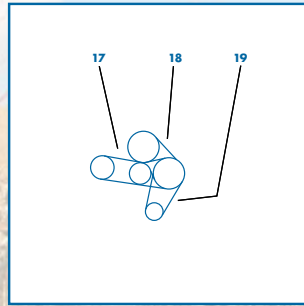
NR.	DRIVE	PART NUMBER	SET	AP NR.	EAN
7	STRAW CHOPPER DRIVE - 2ND STAGE	644771.0	1	AP1005157	4044978203489
9	CUTTERBAR DRIVE	667454.0	2	AP1002870	4014486472981
11	IMPELLER DRUM DRIVE	667249.0	1	AP1003591	4014486484762
13	HYDRAULIC PUMP DRIVE	758719.0	1	AP1003405	4014486463309
14	SIEVE PAN DRIVE 2RD STAGE	667651.0	1	AP1001706	4014486486834
15	SIEVE PAN DRIVE - 1ST STAGE	644209.0	1	AP1000699	4014486470826
15	SIEVE PAN DRIVE - 1ST STAGE	644209.1	1	AP1004843	4014486715668
16	STRAW WALKER DRIVE	667477.0	1	AP1000387	4014486466508
17	COMPRESSOR DRIVE	667560.0	1	AP1002597	4014486496024
17	COMPRESSOR DRIVE	667560.1	1	AP1002597	4014486496024
18	ROTARY SCREEN FAN AND DRIVE	667242.0	1	AP1000225	4014486463033
19	ALTERNATOR DRIVE STARTER	667673.0	1	AP1002549	4014486494815
20	AGITATOR DRIVE (REAR)	667973.0	1	AP1000340	4014486465877
21	AGITATOR DRIVE (FRONT)	667974.0	1	AP1000411	4014486466744
22	ROTARY SCREEN DRIVE	667561.1	1	AP1000168	4014486461930
23	THRESHING DRUM VARIATOR DRIVE	661427.0	1	AP1001228	4014486497847
24	THRESHING CYLINDER	667934.0	1	AP1001645	4014486485974
25	FAN DRIVE - 1ST STAGE	667957.0	1	AP1000320	4014486465396
26	FAN INTERMEDIATE DRIVE	667457.0	1	AP1001079	4014486498233
27	THRESHING DRUM VARIATOR DRIVE	667251.0	1	AP1003601	4014486485219
	THRESHING DRUM VARIATOR DRIVE	667251.1	1	AP1003601	4014486485219
	CUTTERBAR DRIVE	667454.1	2	AP1002870	4014486472981
	STRAW CHOPPER DRIVE - 2ND STAGE	667683.1	1	AP1000738	4014486471335
	CUTTERBAR DRIVE	667947.1	1	AP1004537	4014486720853
	STRAW CHOPPER DRIVE - 1ST STAGE	667981.1	1	AP1001589	4014486485011

LEXION 410

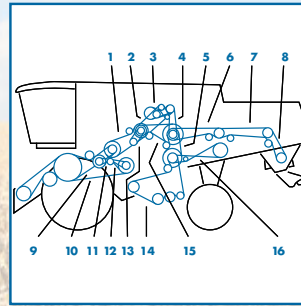
0	SIEVE PAN DRIVE - 1ST STAGE	644209.2	1	AP1004843	4014486715668
0	THRESHING DRUM VARIATOR DRIVE	667248.0	1	AP1001317	4014486497908
0	THRESHING DRUM VARIATOR DRIVE	667248.1	1	AP1001317	4014486497908
0	THRESHING DRUM VARIATOR DRIVE	667248.2	1	AP1001317	4014486497908
0	STRAW CHOPPER DRIVE - 1ST STAGE	667981.0	1	AP1001589	4014486485011
0	KNIFE DRIVE	742025.0	1	AP1000650	4014486470123
1	CUTTERBAR DRIVE	667947.0	1	AP1001633	4014486485783
2	THRESHING MACHINE	667680.0	1	AP1003353	4014486490978
3	DISCHARGE DRIVE GRAIN TANK	667681.0	1	AP1001583	4014486484908
4	STRAW CHOPPER DRIVE - 1ST STAGE	667981.2	1	AP1001588	4014486484991
5	SIEVE PAN DRIVE - 2ND STAGE	667252.0	1	AP1003602	4014486485349
6	STRAW CHOPPER DRIVE - 2ND STAGE	667683.0	1	AP1000738	4014486471335
7	STRAW CHOPPER DRIVE - 2ND STAGE	644771.0	1	AP1005157	4044978203489
9	CUTTERBAR DRIVE	667454.0	2	AP1002870	4014486472981
11	IMPELLER DRUM DRIVE	667249.0	1	AP1003591	4014486484762
13	HYDRAULIC PUMP DRIVE	758719.0	1	AP1003405	4014486463309
14	SIEVE PAN DRIVE 2RD STAGE	667651.0	1	AP1001706	4014486486834
15	SIEVE PAN DRIVE - 1ST STAGE	644209.0	1	AP1000699	4014486470826
15	SIEVE PAN DRIVE - 1ST STAGE	644209.1	1	AP1004843	4014486715668
16	STRAW WALKER DRIVE	667477.0	1	AP1000387	4014486466508
17	COMPRESSOR DRIVE	667560.0	1	AP1002597	4014486496024
17	COMPRESSOR DRIVE	667560.1	1	AP1002597	4014486496024
18	ROTARY SCREEN FAN AND DRIVE	667242.0	1	AP1000225	4014486463033
19	ALTERNATOR DRIVE STARTER	667673.0	1	AP1002549	4014486494815
20	AGITATOR DRIVE (REAR)	667973.0	1	AP1000340	4014486465877
21	AGITATOR DRIVE (FRONT)	667974.0	1	AP1000411	4014486466744
22	ROTARY SCREEN DRIVE	667561.1	1	AP1000168	4014486461930
23	THRESHING DRUM VARIATOR DRIVE	661427.0	1	AP1001228	4014486497847
24	THRESHING CYLINDER	667934.0	1	AP1001645	4014486485974
25	FAN DRIVE - 1ST STAGE	667957.0	1	AP1000320	4014486465396



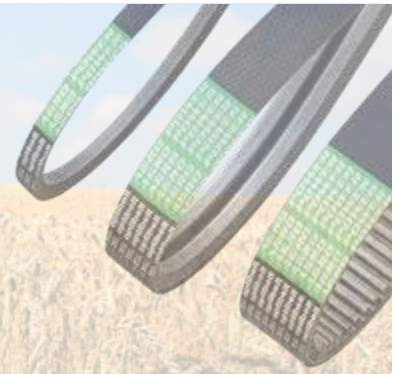
LEXION 415 LEFT



LEXION 415 MIDDLE

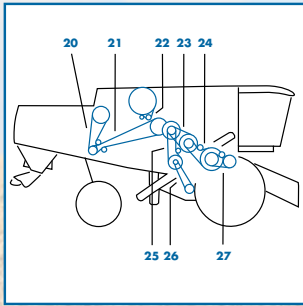


LEXION 415 RIGHT

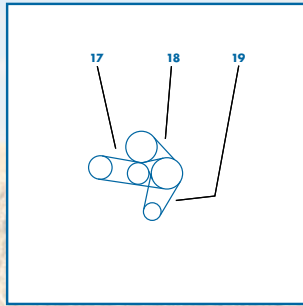


CLAAS

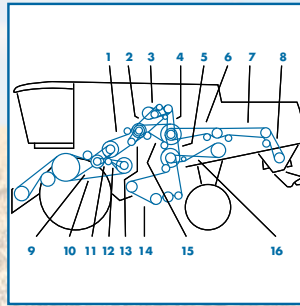
NR.	DRIVE	PART NUMBER	SET	AP NR.	EAN
26	FAN INTERMEDIATE DRIVE	667457.0	1	AP1001079	4014486498233
27	THRESHING DRUM VARIATOR DRIVE	667251.0	1	AP1003601	4014486485219
	THRESHING DRUM VARIATOR DRIVE	667251.1	1	AP1003601	4014486485219
	CUTTERBAR DRIVE	667454.1	2	AP1002870	4014486472981
	STRAW CHOPPER DRIVE - 2ND STAGE	667683.1	1	AP1000738	4014486471335
	CUTTERBAR DRIVE	667947.1	1	AP1004537	4014486720853
	STRAW CHOPPER DRIVE - 1ST STAGE	667981.1	1	AP1001589	4014486485011
LEXION 410 II					
0	CLEANING, 1ST STAGE	644209.2	1	AP1004843	4014486715668
0	DRUM VARIATOR 2ND STAGE	667248.2	1	AP1001317	4014486497908
0	CUTTERBAR DRIVE, 2ND STAGE WITH VARIABLE SPEED DRIVE	667551.0	2	AP1000867	4014486473056
0	CHOPPER DRIVE 1ST STAGE	667958.2	1	AP1003598	4014486485073
2	CUTTERBAR DRIVE, 1ST STAGE	667255.0	1	AP1003357	4014486488951
2	CUTTERBAR DRIVE, 1ST STAGE	667255.1	1	AP1003357	4014486488951
3	THRESHING MECHANISM DRIVE	352371.0	1	AP1001982	4014486491012
3	THRESHING MECHANISM DRIVE	352371.1	1	AP1001982	4014486491012
4	GRAIN TANK UNLOADING	667250.0	1	AP1001586	4014486484960
5	CHOPPER DRIVE 1ST STAGE	667958.3	1	AP1001593	4014486485080
6	SIEVE PAN, 2ND STAGE	667252.0	1	AP1003602	4014486485349
7	CHOPPER DRIVE 2ND STAGE	667683.1	1	AP1000738	4014486471335
8	CHOPPER DRIVE 3RD STAGE RIGID CHOPPER	061701.1	1	AP1000790	4014486472066
8	CHOPPER DRIVE 3RD STAGE RIGID CHOPPER	061701.2	1	AP1000790	4014486472066
8	CHOPPER DRIVE 3RD STAGE ADJUSTABLE CHOPPER	667683.1	1	AP1000738	4014486471335
9	CUTTERBAR DRIVE, 2ND STAGE WITHOUT VARIABLE SPEED DRIVE	667454.0	2	AP1002870	4014486472981
10	CUTTERBAR DRIVE, 2ND STAGE WITH VARIABLE SPEED DRIVE	667551.1	2	AP1000867	4014486473056
11	SYNCHRONOUS DRIVE	667249.0	1	AP1003591	4014486484762
12	CUTTERBAR VARIATOR	667530.1	1	AP1001163	4014486497441
13	CHAFF SPREADER	758719.0	1	AP1003405	4014486463309
14	CLEANING, 3RD STAGE	667651.0	1	AP1001706	4014486486834
15	CLEANING, 1ST STAGE	644209.0	1	AP1000699	4014486470826
15	CLEANING, 1ST STAGE	644209.1	1	AP1004843	4014486715668
16	INTENSIVE SEPARATION SYSTEM, SHORT	667973.0	1	AP1000340	4014486465877
17	INTENSIVE SEPARATION SYSTEM, LONG	667974.0	1	AP1000411	4014486466744
18	CHOPPER DRIVE 4TH STAGE	667684.0	1	AP1000595	4014486469264
19	FINGER ROLLER	509035.0	1	AP1000430	4014486466973
19	FINGER ROLLER	509035.1	1	AP1000430	4014486466973
22	LEXION 410	661427.0	1	AP1001228	4014486497847
23	LEXION 410	644902.0	1	AP1001639	4014486485905
25	LEXION 410	667957.0	1	AP1000320	4014486465396
26	LEXION 410	644843.0	1	AP1004358	4014486714029
27	FAN VARIATOR	667457.0	1	AP1001079	4014486498233
28	PRE - DRUM DRIVE	667251.1	1	AP1003601	4014486485219
29	HYDRAULIC REEL DRIVE	829094.0	1	AP1000245	4014486463712
30	STRAW WALKER DRIVE	667477.0	1	AP1000387	4014486466508
31	STRAW SPREADER	539443.0	1	no AP	
32	DRUM VARIATOR 2ND STAGE	667248.0	1	AP1001317	4014486497908
33	RADIATOR SCREEN 2ND STAGE	545689.0	1	AP1003332	4014486461886
34	ENGINE 3126 B	796475.0	1	AP1003215	4014486482362
35	FAN DRIVE	796450.0	1	AP1003969	4014486480610
	DRUM VARIATOR 2ND STAGE	667248.1	1	AP1001317	4014486497908
	CUTTERBAR DRIVE, 2ND STAGE WITHOUT VARIABLE SPEED DRIVE	667454.1	2	AP1002870	4014486472981
	CUTTERBAR DRIVE, 2ND STAGE WITH VARIABLE SPEED DRIVE	667551.2	2	AP1000867	4014486473056
	CHOPPER DRIVE 1ST STAGE	667958.1	1	AP1003598	4014486485073
LEXION 415					
0	SIEVE PAN DRIVE - 1ST STAGE	644209.2	1	AP1004843	4014486715668



LEXION 420 MONTANA LEFT



LEXION 420 MONTANA MIDDLE



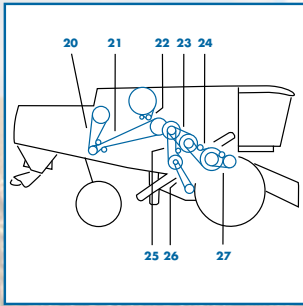
LEXION 420 MONTANA RIGHT

CLAAS

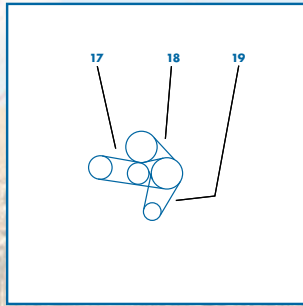
NR.	DRIVE	PART NUMBER	SET	AP NR.	EAN
0	THRESHING DRUM VARIATOR DRIVE	667248.2	1	AP1001317	4014486497908
0	ROTARY SCREEN DRIVE	667456.0	1	AP1002554	4014486494914
0	STRAW CHOPPER DRIVE - 1ST STAGE	667981.0	1	AP1001589	4014486485011
0	KNIFE DRIVE	742025.0	1	AP1000650	4014486470123
1	CLUTCH FOR CUTTERBAR DRIVE	667255.0	1	AP1003357	4014486488951
1	CLUTCH FOR CUTTERBAR DRIVE	667255.1	1	AP1003357	4014486488951
2	THRESHING MECHANICAL DRIVE	667680.0	1	AP1003353	4014486490978
3	DISCHARGE DRIVE GRAIN TANK	667681.0	1	AP1001583	4014486484908
4	STRAW CHOPPER DRIVE - 1ST STAGE	667981.2	1	AP1001588	4014486484991
5	SIEVE PAN DRIVE - 2ND STAGE	667252.0	1	AP1003602	4014486485349
7	STRAW CHOPPER DRIVE - 2ND STAGE	667683.0	1	AP1000738	4014486471335
8	STRAW CHOPPER DRIVE - 4TH STAGE	667684.0	1	AP1000595	4014486469264
9	CUTTERBAR DRIVE WITHOUT VARIATOR DRIVE	667454.0	2	AP1002870	4014486472981
10	CUTTERBAR DRIVE WITHOUT VARIATOR DRIVE	667551.0	2	AP1000867	4014486473056
10	CUTTERBAR DRIVE WITHOUT VARIATOR DRIVE	667551.2	2	AP1000867	4014486473056
11	IMPELLER DRUM DRIVE	667249.0	1	AP1003591	4014486484762
12	CUTTERBAR DRIVE WITH VARIABLE SPEED DRIVE	667530.0	1	AP1001163	4014486497441
13	HYDRAULIC PUMP DRIVE	758719.0	1	AP1003405	4014486463309
14	SIEVE PAN DRIVE 2RD STAGE	667651.0	1	AP1001706	4014486486834
15	SIEVE PAN DRIVE - 1ST STAGE	644209.0	1	AP1000699	4014486470826
15	SIEVE PAN DRIVE - 1ST STAGE	644209.1	1	AP1004843	4014486715668
16	STRAW WALKER DRIVE	667477.0	1	AP1000387	4014486466508
17	COMPRESSOR DRIVE	667560.0	1	AP1002597	4014486496024
17	COMPRESSOR DRIVE	667560.1	1	AP1002597	4014486496024
18	ROTARY SCREEN FAN AND DRIVE	667242.0	1	AP1000225	4014486463033
19	ALTERNATOR DRIVE STARTER	667673.0	1	AP1002549	4014486494815
20	AGITATOR DRIVE (REAR)	667973.0	1	AP1000340	4014486465877
21	AGITATOR DRIVE (FRONT)	667974.0	1	AP1000411	4014486466744
22	ROTARY SCREEN DRIVE	667561.1	1	AP1000168	4014486461930
23	THRESHING DRUM VARIATOR DRIVE	667248.0	1	AP1001317	4014486497908
24	THRESHING DRUM VARIATOR DRIVE	667458.0	1	AP1003642	4014486489101
25	FAN DRIVE - 1ST STAGE	742026.0	1	AP1000328	4014486465587
26	FAN DRIVE - 1ST STAGE	667457.0	1	AP1001079	4014486498233
27	SPEED REDUCING GEAR BOX	667251.0	1	AP1003601	4014486485219
	THRESHING DRUM VARIATOR DRIVE	667248.1	1	AP1001317	4014486497908
	SPEED REDUCING GEAR BOX	667251.1	1	AP1003601	4014486485219
	CUTTERBAR DRIVE WITHOUT VARIATOR DRIVE	667454.1	2	AP1002870	4014486472981
	CUTTERBAR DRIVE WITH VARIABLE SPEED DRIVE	667530.1	1	AP1001163	4014486497441
	CUTTERBAR DRIVE WITHOUT VARIATOR DRIVE	667551.1	2	AP1000867	4014486473056
	STRAW CHOPPER DRIVE - 2ND STAGE	667683.1	1	AP1000738	4014486471335
	STRAW CHOPPER DRIVE - 1ST STAGE	667981.1	1	AP1001589	4014486485011
	FAN DRIVE - 1ST STAGE	742026.1	1	AP1003800	4014486518566

LEXION 420 MONTANA

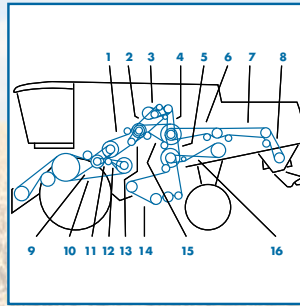
0	DRUM DRIVE	176442.0	1	AP1003641	4014486489033
0	DRUM DRIVE	176442.1	1	AP1003641	4014486489033
0	THRESHING MECHANISM DRIVE	352371.1	1	AP1001982	4014486491012
0	FINGER ROLLER	509035.1	1	AP1000430	4014486466973
0	STRAW SPREADER	539443.0	1	no AP	
0	RADIATOR SCREEN 2ND STAGE	545689.0	1	AP1003332	4014486461886
0	CLEANING, 1ST STAGE	644209.2	1	AP1004843	4014486715668
0	SUCTION FAN	644781.0	1	AP1005209	4014486461350
0	DRUM VARIATOR	667248.2	1	AP1001317	4014486497908
0	DRUM VARIATOR 2ND STAGE	667248.2	1	AP1001317	4014486497908
0	GRAIN TANK UNLOADING	667250.0	1	AP1001586	4014486484960
0	CUTTERBAR DRIVE, 3RD STAGE WITH VARIABLE SPEED	667551.0	2	AP1000867	4014486473056
0	CHOPPER DRIVE, 1ST STAGE	667958.2	1	AP1003598	4014486485073



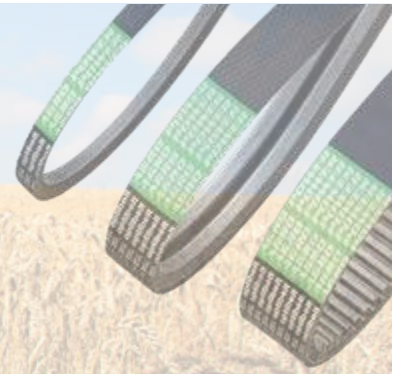
LEXION 430 LEFT



LEXION 430 MIDDLE



LEXION 430 RIGHT



CLAAS

NR.	DRIVE	PART NUMBER	SET	AP NR.	EAN
0	CHOPPER DRIVE, 1ST STAGE	667958.3	1	AP1001593	4014486485080
0	FAN DRIVE	796450.0	1	AP1003969	4014486480610
0	ENGINE 3126 B	796475.0	1	AP1003215	4014486482362
0	HYDRAULIC REEL DRIVE	829094.0	1	AP1000245	4014486463712
1	CUTTERBAR DRIVE, 1ST STAGE	667255.0	1	AP1003357	4014486488951
1	CUTTERBAR DRIVE, 1ST STAGE	667255.1	1	AP1003357	4014486488951
5	SIEVE PAN, 2ND STAGE	667252.0	1	AP1003602	4014486485349
7	CHOPPER DRIVE 2ND STAGE	667683.1	1	AP1000738	4014486471335
7	CHOPPER DRIVE 3RD STAGE ADJUSTABLE CHOPPER	667683.1	1	AP1000738	4014486471335
8	CHOPPER DRIVE 4TH STAGE	667684.0	1	AP1000595	4014486469264
9	CUTTERBAR DRIVE, 2ND STAGE WITHOUT VARIABLE SPEED	667454.0	2	AP1002870	4014486472981
10	CUTTERBAR DRIVE, 3RD STAGE WITH VARIABLE SPEED	667551.1	2	AP1000867	4014486473056
11	SYNCHRONOUS DRIVE	667249.0	1	AP1003591	4014486484762
12	CUTTERBAR VARIATOR	667530.0	1	AP1001163	4014486497441
13	CHAFF SPREADER	758719.0	1	AP1003405	4014486463309
14	CLEANING, 3RD STAGE	667651.0	1	AP1001706	4014486486834
15	CLEANING, 1ST STAGE	644209.0	1	AP1000699	4014486470826
15	CLEANING, 1ST STAGE	644209.1	1	AP1004843	4014486715668
16	STRAW WALKER DRIVE	667477.0	1	AP1000387	4014486466508
20	INTENSIVE SEPARATION SYSTEM, SHORT	667973.0	1	AP1000340	4014486465877
21	INTENSIVE SEPARATION SYSTEM, LONG	667974.0	1	AP1000411	4014486466744
23	DRUM VARIATOR	667248.0	1	AP1001317	4014486497908
23	DRUM VARIATOR 2ND STAGE	667248.0	1	AP1001317	4014486497908
25	FAN DRIVE	742026.0	1	AP1000328	4014486465587
26	FAN VARIATOR	667457.0	1	AP1001079	4014486498233
27	PRE - DRUM DRIVE	667251.1	1	AP1003601	4014486485219
	DRUM VARIATOR	667248.1	1	AP1001317	4014486497908
	DRUM VARIATOR 2ND STAGE	667248.1	1	AP1001317	4014486497908
	CUTTERBAR DRIVE, 2ND STAGE WITHOUT VARIABLE SPEED	667454.1	2	AP1002870	4014486472981
	CUTTERBAR VARIATOR	667530.1	1	AP1001163	4014486497441
	CUTTERBAR DRIVE, 3RD STAGE WITH VARIABLE SPEED	667551.2	2	AP1000867	4014486473056
	CHOPPER DRIVE, 1ST STAGE	667958.1	1	AP1003598	4014486485073
	FAN DRIVE	742026.1	1	AP1003800	4014486518566

LEXION 430

0	SIEVE PAN DRIVE - 1ST STAGE	644209.2	1	AP1004843	4014486715668
0	THRESHING DRUM VARIATOR DRIVE	667248.2	1	AP1001317	4014486497908
0	ROTARY SCREEN DRIVE	667456.0	1	AP1002554	4014486494914
0	STRAW CHOPPER DRIVE - 1ST STAGE	667981.0	1	AP1001589	4014486485011
0	KNIFE DRIVE	742025.0	1	AP1000650	4014486470123
1	CLUTCH FOR CUTTERBAR DRIVE	667255.0	1	AP1003357	4014486488951
1	CLUTCH FOR CUTTERBAR DRIVE	667255.1	1	AP1003357	4014486488951
2	THRESHING MECHANICAL DRIVE	667680.0	1	AP1003353	4014486490978
3	DISCHARGE DRIVE GRAIN TANK	667681.0	1	AP1001583	4014486484908
4	STRAW CHOPPER DRIVE - 1ST STAGE	667981.2	1	AP1001588	4014486484991
5	SIEVE PAN DRIVE - 2ND STAGE	667252.0	1	AP1003602	4014486485349
7	STRAW CHOPPER DRIVE - 2ND STAGE	667683.0	1	AP1000738	4014486471335
8	STRAW CHOPPER DRIVE - 4TH STAGE	667684.0	1	AP1000595	4014486469264
9	CUTTERBAR DRIVE WITHOUT VARIATOR DRIVE	667454.0	2	AP1002870	4014486472981
10	CUTTERBAR DRIVE WITHOUT VARIATOR DRIVE	667551.0	2	AP1000867	4014486473056
10	CUTTERBAR DRIVE WITHOUT VARIATOR DRIVE	667551.2	2	AP1000867	4014486473056
11	IMPELLER DRUM DRIVE	667249.0	1	AP1003591	4014486484762
12	CUTTERBAR DRIVE WITH VARIABLE SPEED DRIVE	667530.0	1	AP1001163	4014486497441
13	HYDRAULIC PUMP DRIVE	758719.0	1	AP1003405	4014486463309
14	SIEVE PAN DRIVE 2RD STAGE	667651.0	1	AP1001706	4014486486834
15	SIEVE PAN DRIVE - 1ST STAGE	644209.0	1	AP1000699	4014486470826
15	SIEVE PAN DRIVE - 1ST STAGE	644209.1	1	AP1004843	4014486715668



CLAAS

NR.	DRIVE	PART NUMBER	SET	AP NR.	EAN
16	STRAW WALKER DRIVE	667477.0	1	AP1000387	4014486466508
17	COMPRESSOR DRIVE	667560.0	1	AP1002597	4014486496024
17	COMPRESSOR DRIVE	667560.1	1	AP1002597	4014486496024
18	ROTARY SCREEN FAN AND DRIVE	667242.0	1	AP1000225	4014486463033
19	ALTERNATOR DRIVE STARTER	667673.0	1	AP1002549	4014486494815
20	AGITATOR DRIVE (REAR)	667973.0	1	AP1000340	4014486465877
21	AGITATOR DRIVE (FRONT)	667974.0	1	AP1000411	4014486466744
22	ROTARY SCREEN DRIVE	667561.1	1	AP1000168	4014486461930
23	THRESHING DRUM VARIATOR DRIVE	667248.0	1	AP1001317	4014486497908
24	THRESHING DRUM VARIATOR DRIVE	667458.0	1	AP1003642	4014486489101
25	FAN DRIVE - 1ST STAGE	742026.0	1	AP1000328	4014486465587
26	FAN DRIVE - 1ST STAGE	667457.0	1	AP1001079	4014486498233
27	SPEED REDUCING GEAR BOX	667251.0	1	AP1003601	4014486485219
	THRESHING DRUM VARIATOR DRIVE	667248.1	1	AP1001317	4014486497908
	SPEED REDUCING GEAR BOX	667251.1	1	AP1003601	4014486485219
	CUTTERBAR DRIVE WITHOUT VARIATOR DRIVE	667454.1	2	AP1002870	4014486472981
	CUTTERBAR DRIVE WITH VARIABLE SPEED DRIVE	667530.1	1	AP1001163	4014486497441
	CUTTERBAR DRIVE WITHOUT VARIATOR DRIVE	667551.1	2	AP1000867	4014486473056
	STRAW CHOPPER DRIVE - 2ND STAGE	667683.1	1	AP1000738	4014486471335
	STRAW CHOPPER DRIVE - 1ST STAGE	667981.1	1	AP1001589	4014486485011
	FAN DRIVE - 1ST STAGE	742026.1	1	AP1003800	4014486518566
LEXION 430 II					
0	CHOPPER DRIVE 3RD STAGE RIGID CHOPPER	061701.1	1	AP1000790	4014486472066
0	CHOPPER DRIVE 3RD STAGE RIGID CHOPPER	061701.2	1	AP1000790	4014486472066
0	DRUM DRIVE	176442.0	1	AP1003641	4014486489033
0	DRUM DRIVE	176442.1	1	AP1003641	4014486489033
0	FINGER ROLLER	509035.1	1	AP1000430	4014486466973
0	STRAW SPREADER	539443.0	1	no AP	
0	RADIATOR SCREEN 2ND STAGE	545689.0	1	AP1003332	4014486461886
0	CLEANING, 1ST STAGE	644209.2	1	AP1004843	4014486715668
0	SUCTION BLOWER LEXION 430, 420	644781.0	1	AP1005209	4014486461350
0	DRUM VARIATOR	667248.2	1	AP1001317	4014486497908
0	DRUM VARIATOR 2ND STAGE	667248.2	1	AP1001317	4014486497908
0	CUTTERBAR DRIVE, 2ND STAGE WITH VARIABLE SPEED DRIVE	667551.0	2	AP1000867	4014486473056
0	CHOPPER DRIVE 1ST STAGE	667958.2	1	AP1003598	4014486485073
0	FAN DRIVE	796450.0	1	AP1003969	4014486480610
0	ENGINE 3126 B	796475.0	1	AP1003215	4014486482362
0	HYDRAULIC REEL DRIVE	829094.0	1	AP1000245	4014486463712
1	CUTTERBAR DRIVE, 1ST STAGE	667255.0	1	AP1003357	4014486488951
1	CUTTERBAR DRIVE, 1ST STAGE	667255.1	1	AP1003357	4014486488951
2	THRESHING MECHANISM DRIVE	352371.1	1	AP1001982	4014486491012
3	GRAIN TANK UNLOADING	667250.0	1	AP1001586	4014486484960
4	CHOPPER DRIVE 1ST STAGE	667958.3	1	AP1001593	4014486485080
5	SIEVE PAN, 2ND STAGE	667252.0	1	AP1003602	4014486485349
6	CHOPPER DRIVE 2ND STAGE	667683.1	1	AP1000738	4014486471335
7	CHOPPER DRIVE 3RD STAGE ADJUSTABLE CHOPPER	667683.1	1	AP1000738	4014486471335
8	CHOPPER DRIVE 4TH STAGE	667684.0	1	AP1000595	4014486469264
9	CUTTERBAR DRIVE, 2ND STAGE WITHOUT VARIABLE SPEED DRIVE	667454.0	2	AP1002870	4014486472981
10	CUTTERBAR DRIVE, 2ND STAGE WITH VARIABLE SPEED DRIVE	667551.1	2	AP1000867	4014486473056
11	SYNCHRONOUS DRIVE	667249.0	1	AP1003591	4014486484762
12	CUTTERBAR VARIATOR	667530.1	1	AP1001163	4014486497441
13	CHAFF SPREADER	758719.0	1	AP1003405	4014486463309
14	CLEANING, 3RD STAGE	667651.0	1	AP1001706	4014486486834
15	CLEANING, 1ST STAGE	644209.0	1	AP1000699	4014486470826
15	CLEANING, 1ST STAGE	644209.1	1	AP1004843	4014486715668
16	STRAW WALKER DRIVE	667477.0	1	AP1000387	4014486466508

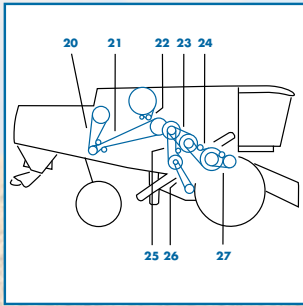


CLAAS

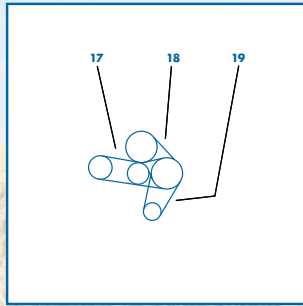
NR.	DRIVE	PART NUMBER	SET	AP NR.	EAN
20	INTENSIVE SEPARATION SYSTEM, SHORT	667973.0	1	AP1000340	4014486465877
21	INTENSIVE SEPARATION SYSTEM, LONG	667974.0	1	AP1000411	4014486466744
23	DRUM VARIATOR	667248.0	1	AP1001317	4014486497908
23	DRUM VARIATOR 2ND STAGE	667248.0	1	AP1001317	4014486497908
25	FAN DRIVE	742026.0	1	AP1000328	4014486465587
26	FAN VARIATOR	667457.0	1	AP1001079	4014486498233
27	PRE - DRUM DRIVE	667251.1	1	AP1003601	4014486485219
	DRUM VARIATOR	667248.1	1	AP1001317	4014486497908
	DRUM VARIATOR 2ND STAGE	667248.1	1	AP1001317	4014486497908
	CUTTERBAR DRIVE, 2ND STAGE WITHOUT VARIABLE SPEED DRIVE	667454.1	2	AP1002870	4014486472981
	CUTTERBAR DRIVE, 2ND STAGE WITH VARIABLE SPEED DRIVE	667551.2	2	AP1000867	4014486473056
	CHOPPER DRIVE 1ST STAGE	667958.1	1	AP1003598	4014486485073
	FAN DRIVE	742026.1	1	AP1003800	4014486518566

LEXION 430 MONTANA

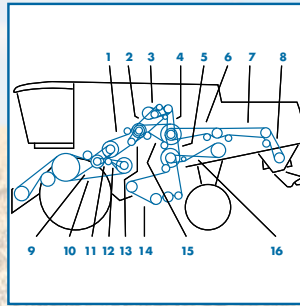
0	DRUM DRIVE	176442.0	1	AP1003641	4014486489033
0	DRUM DRIVE	176442.1	1	AP1003641	4014486489033
0	FINGER ROLLER	509035.1	1	AP1000430	4014486466973
0	STRAW SPREADER	539443.0	1	no AP	
0	RADIATOR SCREEN 2ND STAGE	545689.0	1	AP1003332	4014486461886
0	CLEANING, 1ST STAGE	644209.2	1	AP1004843	4014486715668
0	SUCTION FAN	644781.0	1	AP1005209	4014486461350
0	DRUM VARIATOR	667248.2	1	AP1001317	4014486497908
0	DRUM VARIATOR 2ND STAGE	667248.2	1	AP1001317	4014486497908
0	CUTTERBAR DRIVE, 3RD STAGE WITH VARIABLE SPEED	667551.0	2	AP1000867	4014486473056
0	CHOPPER DRIVE, 1ST STAGE	667958.2	1	AP1003598	4014486485073
0	FAN DRIVE	742026.0	1	AP1000328	4014486465587
0	FAN DRIVE	796450.0	1	AP1003969	4014486480610
0	ENGINE 3126 B	796475.0	1	AP1003215	4014486482362
0	HYDRAULIC REEL DRIVE	829094.0	1	AP1000245	4014486463712
1	CUTTERBAR DRIVE, 1ST STAGE	667255.0	1	AP1003357	4014486488951
1	CUTTERBAR DRIVE, 1ST STAGE	667255.1	1	AP1003357	4014486488951
2	THRESHING MECHANISM DRIVE	352371.1	1	AP1001982	4014486491012
3	GRAIN TANK UNLOADING	667250.0	1	AP1001586	4014486484960
4	CHOPPER DRIVE, 1ST STAGE	667958.3	1	AP1001593	4014486485080
5	SIEVE PAN, 2ND STAGE	667252.0	1	AP1003602	4014486485349
6	CHOPPER DRIVE 2ND STAGE	667683.1	1	AP1000738	4014486471335
7	CHOPPER DRIVE 3RD STAGE ADJUSTABLE CHOPPER	667683.1	1	AP1000738	4014486471335
8	CHOPPER DRIVE 4TH STAGE	667684.0	1	AP1000595	4014486469264
9	CUTTERBAR DRIVE, 2ND STAGE WITHOUT VARIABLE SPEED	667454.0	2	AP1002870	4014486472981
10	CUTTERBAR DRIVE, 3RD STAGE WITH VARIABLE SPEED	667551.1	2	AP1000867	4014486473056
11	SYNCHRONOUS DRIVE	667249.0	1	AP1003591	4014486484762
12	CUTTERBAR VARIATOR	667530.0	1	AP1001163	4014486497441
13	CHAFF SPREADER	758719.0	1	AP1003405	4014486463309
14	CLEANING, 3RD STAGE	667651.0	1	AP1001706	4014486486834
15	CLEANING, 1ST STAGE	644209.0	1	AP1000699	4014486470826
15	CLEANING, 1ST STAGE	644209.1	1	AP1004843	4014486715668
16	STRAW WALKER DRIVE	667477.0	1	AP1000387	4014486466508
20	INTENSIVE SEPARATION SYSTEM, SHORT	667973.0	1	AP1000340	4014486465877
21	INTENSIVE SEPARATION SYSTEM, LONG	667974.0	1	AP1000411	4014486466744
23	DRUM VARIATOR	667248.0	1	AP1001317	4014486497908
23	DRUM VARIATOR 2ND STAGE	667248.0	1	AP1001317	4014486497908
26	FAN VARIATOR	667457.0	1	AP1001079	4014486498233
27	PRE - DRUM DRIVE	667251.1	1	AP1003601	4014486485219
	DRUM VARIATOR	667248.1	1	AP1001317	4014486497908
	DRUM VARIATOR 2ND STAGE	667248.1	1	AP1001317	4014486497908
	CUTTERBAR DRIVE, 2ND STAGE WITHOUT VARIABLE SPEED	667454.1	2	AP1002870	4014486472981



LEXION 440 LEFT



LEXION 440 MIDDLE



LEXION 440 RIGHT

CLAAS

NR.	DRIVE	PART NUMBER	SET	AP NR.	EAN
	CUTTERBAR VARIATOR	667530.1	1	AP1001163	4014486497441
	CUTTERBAR DRIVE, 3RD STAGE WITH VARIABLE SPEED	667551.2	2	AP1000867	4014486473056
	CHOPPER DRIVE, 1ST STAGE	667958.1	1	AP1003598	4014486485073
	FAN DRIVE	742026.1	1	AP1003800	4014486518566

LEXION 440

0	SIEVE PAN DRIVE - 1ST STAGE	644209.2	1	AP1004843	4014486715668
0	THRESHING DRUM VARIATOR DRIVE	667248.2	1	AP1001317	4014486497908
0	STRAW CHOPPER DRIVE - 1ST STAGE	667958.3	1	AP1001593	4014486485080
0	KNIFE DRIVE	742025.0	1	AP1000650	4014486470123
1	CLUTCH FOR CUTTERBAR DRIVE	667255.0	1	AP1003357	4014486488951
1	CLUTCH FOR CUTTERBAR DRIVE	667255.1	1	AP1003357	4014486488951
2	THRESHING MECHANISM DRIVE	667453.0	1	AP1003350	4014486492095
3	DISCHARGE DRIVE GRAIN TANK	667250.0	1	AP1001586	4014486484960
4	STRAW CHOPPER DRIVE - 1ST STAGE	667958.2	1	AP1003598	4014486485073
5	SIEVE PAN DRIVE - 2ND STAGE	667252.0	1	AP1003602	4014486485349
6	STRAW CHOPPER DRIVE - 2ND STAGE	061700.1	1	AP1003356	4014486486131
7	STRAW CHOPPER DRIVE - 3ND STAGE	061700.1	1	AP1003356	4014486486131
8	STRAW CHOPPER DRIVE - 4TH STAGE	661093.0	1	AP1001581	4014486484885
9	CUTTERBAR DRIVE WITHOUT VARIATOR DRIVE	667454.0	2	AP1002870	4014486472981
10	CUTTERBAR DRIVE WITH VARIABLE SPEED DRIVE	667551.0	2	AP1000867	4014486473056
10	CUTTERBAR DRIVE WITH VARIABLE SPEED DRIVE	667551.2	2	AP1000867	4014486473056
11	IMPELLER DRUM DRIVE	667249.0	1	AP1003591	4014486484762
12	CUTTERBAR DRIVE WITH VARIABLE SPEED DRIVE	667530.0	1	AP1001163	4014486497441
13	HYDRAULIC PUMP DRIVE	758719.0	1	AP1003405	4014486463309
14	SIEVE PAN DRIVE 2RD STAGE	667651.0	1	AP1001706	4014486486834
15	SIEVE PAN DRIVE - 1ST STAGE	644209.0	1	AP1000699	4014486470826
15	SIEVE PAN DRIVE - 1ST STAGE	644209.1	1	AP1004843	4014486715668
16	STRAW WALKER DRIVE	667477.0	1	AP1000387	4014486466508
17	COMPRESSOR DRIVE	667560.0	1	AP1002597	4014486496024
17	COMPRESSOR DRIVE	667560.1	1	AP1002597	4014486496024
18	ROTARY SCREEN FAN AND DRIVE	667242.0	1	AP1000225	4014486463033
19	ROTARY SCREEN DRIVE	667456.0	1	AP1002554	4014486494914
20	AGITATOR DRIVE (REAR)	667973.0	1	AP1000340	4014486465877
21	AGITATOR DRIVE (FRONT)	667974.0	1	AP1000411	4014486466744
22	ROTARY SCREEN DRIVE	667561.1	1	AP1000168	4014486461930
23	THRESHING DRUM VARIATOR DRIVE	667248.0	1	AP1001317	4014486497908
24	THRESHING DRUM VARIATOR DRIVE	667458.0	1	AP1003642	4014486489101
25	FAN DRIVE - 1ST STAGE	742026.0	1	AP1000328	4014486465587
26	FAN INTERMEDIATE DRIVE	667457.0	1	AP1001079	4014486498233
27	SPEED REDUCING GEAR BOX	667251.0	1	AP1003601	4014486485219
	THRESHING DRUM VARIATOR DRIVE	667248.1	1	AP1001317	4014486497908
	SPEED REDUCING GEAR BOX	667251.1	1	AP1003601	4014486485219
	CUTTERBAR DRIVE WITHOUT VARIATOR DRIVE	667454.1	2	AP1002870	4014486472981
	CUTTERBAR DRIVE WITH VARIABLE SPEED DRIVE	667530.1	1	AP1001163	4014486497441
	CUTTERBAR DRIVE WITH VARIABLE SPEED DRIVE	667551.1	2	AP1000867	4014486473056
	STRAW CHOPPER DRIVE - 1ST STAGE	667958.1	1	AP1003598	4014486485073
	FAN DRIVE - 1ST STAGE	742026.1	1	AP1003800	4014486518566

LEXION 440 II

0	DRUM DRIVE	176442.0	1	AP1003641	4014486489033
0	DRUM DRIVE	176442.1	1	AP1003641	4014486489033
0	FINGER ROLLER	509035.1	1	AP1000430	4014486466973
0	RADIATOR SCREEN 2ND STAGE	545689.0	1	AP1003332	4014486461886
0	NO. 54401896 - 54402245	628888.0	1	AP1001684	4014486486551
0	CLEANING, 1ST STAGE	644209.2	1	AP1004843	4014486715668
0	SUCTION FAN	644781.0	1	AP1005209	4014486461350



CLAAS

NR.	DRIVE	PART NUMBER	SET	AP NR.	EAN
0	DRUM VARIATOR	667248.2	1	AP1001317	4014486497908
0	DRUM VARIATOR 2ND STAGE	667248.2	1	AP1001317	4014486497908
0	CUTTERBAR DRIVE, 3RD STAGE WITH VARIABLE SPEED DRIVE	667551.0	2	AP1000867	4014486473056
0	CHOPPER DRIVE 1ST STAGE	667958.2	1	AP1003598	4014486485073
0	SUCTION BLOWER E - CHANNEL	765985.0	1	AP1002287	4014486479706
0	FAN DRIVE	796450.0	1	AP1003969	4014486480610
0	ENGINE C9	796474.0	1	AP1003217	4014486482454
0	ENGINE 3126 B	796475.0	1	AP1003215	4014486482362
1	CUTTERBAR DRIVE, 1ST STAGE	667255.0	1	AP1003357	4014486488951
1	CUTTERBAR DRIVE, 1ST STAGE	667255.1	1	AP1003357	4014486488951
2	THRESHING MECHANISM DRIVE	667453.0	1	AP1003350	4014486492095
3	GRAIN TANK UNLOADING	667250.0	1	AP1001586	4014486484960
4	CHOPPER DRIVE 1ST STAGE	667958.3	1	AP1001593	4014486485080
5	SIEVE PAN, 2ND STAGE	667252.0	1	AP1003602	4014486485349
6	CHOPPER DRIVE 2ND STAGE	061700.1	1	AP1003356	4014486486131
7	CHOPPER DRIVE 3RD STAGE ADJUSTABLE CHOPPER NO. 54401896 - 54402245	061700.1	1	AP1003356	4014486486131
8	CHOPPER DRIVE 4TH STAGE	661093.0	1	AP1001581	4014486484885
8	CHOPPER DRIVE 3RD STAGE RIGID CHOPPER FROM NO. 54402246 TO NO. 54401895	749828.0	1	AP1001681	4014486486513
9	CUTTERBAR DRIVE, 2ND STAGE WITHOUT VARIABLE SPEED DRIVE	667454.0	2	AP1002870	4014486472981
10	CUTTERBAR DRIVE, 3RD STAGE WITH VARIABLE SPEED DRIVE	667551.1	2	AP1000867	4014486473056
11	SYNCHRONOUS DRIVE	667249.0	1	AP1003591	4014486484762
12	CUTTERBAR VARIATOR	667530.1	1	AP1001163	4014486497441
13	CHAFF SPREADER	758719.0	1	AP1003405	4014486463309
14	CLEANING, 3RD STAGE	667651.0	1	AP1001706	4014486486834
15	CLEANING, 1ST STAGE	644209.0	1	AP1000699	4014486470826
15	CLEANING, 1ST STAGE	644209.1	1	AP1004843	4014486715668
16	STRAW WALKER DRIVE	667477.0	1	AP1000387	4014486466508
20	INTENSIVE SEPARATION SYSTEM, SHORT	667973.0	1	AP1000340	4014486465877
21	INTENSIVE SEPARATION SYSTEM, LONG	667974.0	1	AP1000411	4014486466744
22	DRUM VARIATOR	667248.0	1	AP1001317	4014486497908
23	DRUM VARIATOR 2ND STAGE	667248.0	1	AP1001317	4014486497908
25	FAN DRIVE	742026.0	1	AP1000328	4014486465587
26	FAN VARIATOR	667457.0	1	AP1001079	4014486498233
27	PRE - DRUM DRIVE	667251.1	1	AP1003601	4014486485219
29	HYDRAULIC REEL DRIVE	829094.0	1	AP1000245	4014486463712
31	STRAW SPREADER	539443.0	1	no AP	
	DRUM VARIATOR	667248.1	1	AP1001317	4014486497908
	DRUM VARIATOR 2ND STAGE	667248.1	1	AP1001317	4014486497908
	CUTTERBAR DRIVE, 2ND STAGE WITHOUT VARIABLE SPEED DRIVE	667454.1	2	AP1002870	4014486472981
	CUTTERBAR DRIVE, 3RD STAGE WITH VARIABLE SPEED DRIVE	667551.2	2	AP1000867	4014486473056
	CHOPPER DRIVE 1ST STAGE	667958.1	1	AP1003598	4014486485073
	FAN DRIVE	742026.1	1	AP1003800	4014486518566

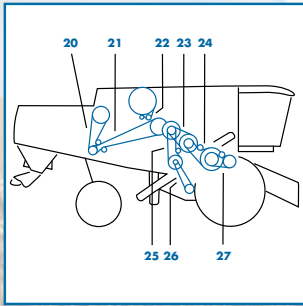
LEXION 450 II MTS

0	CLEANING, 1ST STAGE	644209.2	1	AP1004843	4014486715668
0	DRUM VARIATOR	667248.2	1	AP1001317	4014486497908
0	DRUM VARIATOR 2ND STAGE	667248.2	1	AP1001317	4014486497908
0	CUTTERBAR DRIVE, 3RD STAGE WITH VARIABLE SPEED DRIVE	667551.0	2	AP1000867	4014486473056
0	CHOPPER DRIVE 1ST STAGE	667958.2	1	AP1003598	4014486485073
2	CUTTERBAR DRIVE, 1ST STAGE	667255.0	1	AP1003357	4014486488951
2	CUTTERBAR DRIVE, 1ST STAGE	667255.1	1	AP1003357	4014486488951
3	THRESHING MECHANISM DRIVE	352403.0	1	AP1001253	4014486492101
4	GRAIN TANK UNLOADING	667250.0	1	AP1001586	4014486484960
5	CHOPPER DRIVE 1ST STAGE	667958.3	1	AP1001593	4014486485080
6	SIEVE PAN 2ND STAGE	667252.0	1	AP1003602	4014486485349
7	CHOPPER DRIVE 2ND STAGE	061700.1	1	AP1003356	4014486486131
8	CHOPPER DRIVE 3RD STAGE ADJUSTABLE CHOPPER	061700.1	1	AP1003356	4014486486131

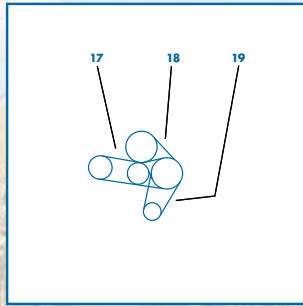


CLAAS

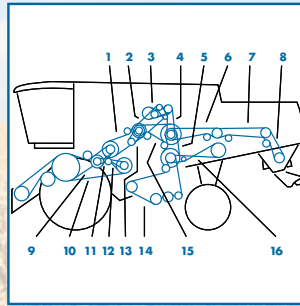
NR.	DRIVE	PART NUMBER	SET	AP NR.	EAN
8	NO. 54700041 - 54700049	628888.0	1	AP1001684	4014486486551
8	CHOPPER DRIVE 3RD STAGE RIGID CHOPPER FROM NO. 54700050	749828.0	1	AP1001681	4014486486513
8	TO NO. 54700040	749828.0	1	AP1001681	4014486486513
9	CUTTERBAR DRIVE, 2ND STAGE WITHOUT VARIABLE SPEED DRIVE	667454.0	2	AP1002870	4014486472981
10	CUTTERBAR DRIVE, 3RD STAGE WITH VARIABLE SPEED DRIVE	667551.1	2	AP1000867	4014486473056
11	SYNCHRONOUS DRIVE	667249.0	1	AP1003591	4014486484762
12	CUTTERBAR VARIATOR	667530.1	1	AP1001163	4014486497441
13	CHAFF SPREADER	758719.0	1	AP1003405	4014486463309
14	CLEANING, 3RD STAGE	667651.0	1	AP1001706	4014486486834
15	CLEANING, 1ST STAGE	644209.0	1	AP1000699	4014486470826
15	CLEANING, 1ST STAGE	644209.1	1	AP1004843	4014486715668
18	CHOPPER DRIVE 4TH STAGE	661093.0	1	AP1001581	4014486484885
19	FINGER ROLLER	509035.1	1	AP1000430	4014486466973
22	DRUM VARIATOR	667248.0	1	AP1001317	4014486497908
23	DRUM DRIVE	176442.0	1	AP1003641	4014486489033
23	DRUM DRIVE	176442.1	1	AP1003641	4014486489033
25	FAN DRIVE	742026.0	1	AP1000328	4014486465587
26	SUCTION FAN	644781.0	1	AP1005209	4014486461350
27	FAN VARIATOR	667457.0	1	AP1001079	4014486498233
28	PRE - DRUM DRIVE	667251.1	1	AP1003601	4014486485219
29	HYDRAULIC REEL DRIVE	829094.0	1	AP1000245	4014486463712
30	STRAW WALKER DRIVE	667477.0	1	AP1000387	4014486466508
31	STRAW SPREADER	539443.0	1	no AP	
32	DRUM VARIATOR 2ND STAGE	667248.0	1	AP1001317	4014486497908
33	RADIATOR SCREEN 2ND STAGE	545689.0	1	AP1003332	4014486461886
34	ENGINE C9	796474.0	1	AP1003217	4014486482454
35	FAN DRIVE	796450.0	1	AP1003969	4014486480610
36	SUCTION BLOWER E - CHANNEL	765985.0	1	AP1002287	4014486479706
	DRUM VARIATOR	667248.1	1	AP1001317	4014486497908
	DRUM VARIATOR 2ND STAGE	667248.1	1	AP1001317	4014486497908
	CUTTERBAR DRIVE, 2ND STAGE WITHOUT VARIABLE SPEED DRIVE	667454.1	2	AP1002870	4014486472981
	CUTTERBAR DRIVE, 3RD STAGE WITH VARIABLE SPEED DRIVE	667551.2	2	AP1000867	4014486473056
	CHOPPER DRIVE 1ST STAGE	667958.1	1	AP1003598	4014486485073
	FAN DRIVE	742026.1	1	AP1003800	4014486518566



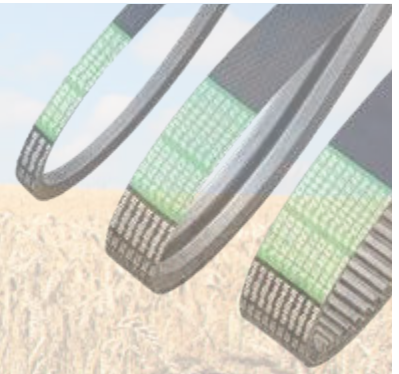
LEXION 460 LEFT



LEXION 460 MIDDLE



LEXION 460 RIGHT



CLAAS

NR.	DRIVE	PART NUMBER	SET	AP NR.	EAN
LEXION 450 TERRA					
0	1ST STAGE CLEANING	644209.2	1	AP1004843	4014486715668
0	DRUM VARIABLE SPEED DRIVE	667248.2	1	AP1001317	4014486497908
0	3RD STAGE CUTTERBAR WITH VARIABLE SPEED	667551.0	2	AP1000867	4014486473056
0	1ST STAGE CHOPPER	667958.2	1	AP1003598	4014486485073
1	1ST STAGE CUTTERBAR	667255.0	1	AP1003357	4014486488951
1	1ST STAGE CUTTERBAR	667255.1	1	AP1003357	4014486488951
2	THRESHING MECHANISM	667453.0	1	AP1003350	4014486492095
3	GRAIN TANK UNLOADING	667250.0	1	AP1001586	4014486484960
4	1ST STAGE CHOPPER	667958.3	1	AP1001593	4014486485080
5	2ND STAGE CLEANING	667252.0	1	AP1003602	4014486485349
6	2ND STAGE CHOPPER	061700.1	1	AP1003356	4014486486131
7	3RD STAGE CHOPPER	061700.1	1	AP1003356	4014486486131
8	4TH STAGE CHOPPER	661093.0	1	AP1001581	4014486484885
9	2ND STAGE CUTTERBAR WITHOUT VARIABLE SPEED	667454.0	2	AP1002870	4014486472981
10	3RD STAGE CUTTERBAR WITH VARIABLE SPEED	667551.1	2	AP1000867	4014486473056
11	IMPELLER DRUM	667249.0	1	AP1003591	4014486484762
12	CUTTERBAR VARIABLE SPEED	667530.0	1	AP1001163	4014486497441
13	HYDRAULIC PUMP	758719.0	1	AP1003405	4014486463309
14	3RD STAGE CLEANING	667651.0	1	AP1001706	4014486486834
15	1ST STAGE CLEANING	644209.0	1	AP1000699	4014486470826
15	1ST STAGE CLEANING	644209.1	1	AP1004843	4014486715668
16	STRAW WALKER	667477.0	1	AP1000387	4014486466508
17	COMPRESSOR	667560.0	1	AP1002597	4014486496024
17	COMPRESSOR	667560.1	1	AP1002597	4014486496024
18	MOTOR FAN	667242.0	1	AP1000225	4014486463033
19	1ST STAGE RADIATOR SCREEN	667456.0	1	AP1002554	4014486494914
20	REAR FEED RAKE	667973.0	1	AP1000340	4014486465877
21	FRONT FEED RAKE	667974.0	1	AP1000411	4014486466744
22	2ND STAGE RADIATOR SCREEN	667561.1	1	AP1000168	4014486461930
23	DRUM VARIABLE SPEED DRIVE	667248.0	1	AP1001317	4014486497908
24	THRESHING DRUM FROM NO. 45800017	176442.0	1	AP1003641	4014486489033
24	THRESHING DRUM FROM NO. 45800017	176442.1	1	AP1003641	4014486489033
24	THRESHING DRUM AT DISC D 593 MM OPTIONAL	667255.0	1	AP1003357	4014486488951
24	THRESHING DRUM AT DISC D 593 MM OPTIONAL	667255.1	1	AP1003357	4014486488951
24	THRESHING DRUM TO NO. 45700016	667458.0	1	AP1003642	4014486489101
25	1ST STAGE BLOWER	742026.0	1	AP1000328	4014486465587
26	FAN VARIABLE SPEED DRIVE	667457.0	1	AP1001079	4014486498233
27	ACCELERATOR	667251.1	1	AP1003601	4014486485219
28	SUCTION FAN	644781.0	1	AP1005209	4014486461350
	DRUM VARIABLE SPEED DRIVE	667248.1	1	AP1001317	4014486497908
	2ND STAGE CUTTERBAR WITHOUT VARIABLE SPEED	667454.1	2	AP1002870	4014486472981
	CUTTERBAR VARIABLE SPEED	667530.1	1	AP1001163	4014486497441
	3RD STAGE CUTTERBAR WITH VARIABLE SPEED	667551.2	2	AP1000867	4014486473056
	1ST STAGE CHOPPER	667958.1	1	AP1003598	4014486485073
	1ST STAGE BLOWER	742026.1	1	AP1003800	4014486518566
LEXION 460					
0	SIEVE PAN DRIVE - 1ST STAGE	644209.2	1	AP1004843	4014486715668
0	THRESHING DRUM VARIATOR DRIVE	667248.2	1	AP1001317	4014486497908
0	STRAW CHOPPER DRIVE - 1ST STAGE	667958.3	1	AP1001593	4014486485080
0	KNIFE DRIVE	742025.0	1	AP1000650	4014486470123
1	CLUTCH FOR CUTTERBAR DRIVE	667255.0	1	AP1003357	4014486488951
1	CLUTCH FOR CUTTERBAR DRIVE	667255.1	1	AP1003357	4014486488951
2	THRESHING MECHANISM DRIVE	667453.0	1	AP1003350	4014486492095
3	DISCHARGE DRIVE GRAIN TANK	667250.0	1	AP1001586	4014486484960



CLAAS

NR.	DRIVE	PART NUMBER	SET	AP NR.	EAN
4	STRAW CHOPPER DRIVE - 1ST STAGE	667958.2	1	AP1003598	4014486485073
5	SIEVE PAN DRIVE - 2ND STAGE	667252.0	1	AP1003602	4014486485349
6	STRAW CHOPPER DRIVE - 2ND STAGE	061700.1	1	AP1003356	4014486486131
7	STRAW CHOPPER DRIVE - 3ND STAGE	061700.1	1	AP1003356	4014486486131
8	STRAW CHOPPER DRIVE - 4TH STAGE	661093.0	1	AP1001581	4014486484885
9	CUTTERBAR DRIVE WITHOUT VARIATOR DRIVE	667454.0	2	AP1002870	4014486472981
10	CUTTERBAR DRIVE WITH VARIABLE SPEED DRIVE	667551.0	2	AP1000867	4014486473056
10	CUTTERBAR DRIVE WITH VARIABLE SPEED DRIVE	667551.2	2	AP1000867	4014486473056
11	IMPELLER DRUM DRIVE	667249.0	1	AP1003591	4014486484762
12	CUTTERBAR DRIVE WITH VARIABLE SPEED DRIVE	667530.0	1	AP1001163	4014486497441
13	HYDRAULIC PUMP DRIVE	758719.0	1	AP1003405	4014486463309
14	SIEVE PAN DRIVE 2RD STAGE	667651.0	1	AP1001706	4014486486834
15	SIEVE PAN DRIVE - 1ST STAGE	644209.0	1	AP1000699	4014486470826
15	SIEVE PAN DRIVE - 1ST STAGE	644209.1	1	AP1004843	4014486715668
16	STRAW WALKER DRIVE	667477.0	1	AP1000387	4014486466508
17	COMPRESSOR DRIVE	667560.0	1	AP1002597	4014486496024
17	COMPRESSOR DRIVE	667560.1	1	AP1002597	4014486496024
18	ROTARY SCREEN FAN AND DRIVE	667242.0	1	AP1000225	4014486463033
19	ROTARY SCREEN DRIVE	667456.0	1	AP1002554	4014486494914
20	AGITATOR DRIVE (REAR)	667973.0	1	AP1000340	4014486465877
21	AGITATOR DRIVE (FRONT)	667974.0	1	AP1000411	4014486466744
22	ROTARY SCREEN DRIVE	667561.1	1	AP1000168	4014486461930
23	THRESHING DRUM VARIATOR DRIVE	667248.0	1	AP1001317	4014486497908
24	THRESHING DRUM VARIATOR DRIVE	667458.0	1	AP1003642	4014486489101
25	FAN DRIVE - 1ST STAGE	742026.0	1	AP1000328	4014486465587
26	FAN INTERMEDIATE DRIVE	667457.0	1	AP1001079	4014486498233
27	SPEED REDUCING GEAR BOX	667251.0	1	AP1003601	4014486485219
	THRESHING DRUM VARIATOR DRIVE	667248.1	1	AP1001317	4014486497908
	SPEED REDUCING GEAR BOX	667251.1	1	AP1003601	4014486485219
	CUTTERBAR DRIVE WITHOUT VARIATOR DRIVE	667454.1	2	AP1002870	4014486472981
	CUTTERBAR DRIVE WITH VARIABLE SPEED DRIVE	667530.1	1	AP1001163	4014486497441
	CUTTERBAR DRIVE WITH VARIABLE SPEED DRIVE	667551.1	2	AP1000867	4014486473056
	STRAW CHOPPER DRIVE - 1ST STAGE	667958.1	1	AP1003598	4014486485073
	FAN DRIVE - 1ST STAGE	742026.1	1	AP1003800	4014486518566

LEXION 460 II

0	DRUM DRIVE	176442.0	1	AP1003641	4014486489033
0	DRUM DRIVE	176442.1	1	AP1003641	4014486489033
0	THRESHING MECHANISM DRIVE	352403.0	1	AP1001253	4014486492101
0	FINGER ROLLER	509035.1	1	AP1000430	4014486466973
0	STRAW SPREADER	539443.0	1	no AP	
0	RADIATOR SCREEN 2ND STAGE	545689.0	1	AP1003332	4014486461886
0	NO. 54401896 - 54402245	628888.0	1	AP1001684	4014486486551
0	CLEANING, 1ST STAGE	644209.2	1	AP1004843	4014486715668
0	SUCTION FAN	644781.0	1	AP1005209	4014486461350
0	DRUM VARIATOR	667248.2	1	AP1001317	4014486497908
0	DRUM VARIATOR 2ND STAGE	667248.2	1	AP1001317	4014486497908
0	CUTTERBAR DRIVE, 3RD STAGE WITH VARIABLE SPEED DRIVE	667551.0	2	AP1000867	4014486473056
0	CHOPPER DRIVE 1ST STAGE	667958.2	1	AP1003598	4014486485073
0	CHOPPER DRIVE 3RD STAGE RIGID CHOPPER FROM NO. 54402246	749828.0	1	AP1001681	4014486486513
0	TO NO. 54401895	749828.0	1	AP1001681	4014486486513
0	SUCTION BLOWER E - CHANNEL	765985.0	1	AP1002287	4014486479706
0	FAN DRIVE	796450.0	1	AP1003969	4014486480610
0	ENGINE C9	796474.0	1	AP1003217	4014486482454
0	ENGINE 3126 B	796475.0	1	AP1003215	4014486482362
0	HYDRAULIC REEL DRIVE	829094.0	1	AP1000245	4014486463712
1	CUTTERBAR DRIVE, 1ST STAGE	667255.0	1	AP1003357	4014486488951



CLAAS

NR.	DRIVE	PART NUMBER	SET	AP NR.	EAN
1	CUTTERBAR DRIVE, 1ST STAGE	667255.1	1	AP1003357	4014486488951
3	GRAIN TANK UNLOADING	667250.0	1	AP1001586	4014486484960
4	CHOPPER DRIVE 1ST STAGE	667958.3	1	AP1001593	4014486485080
5	SIEVE PAN, 2ND STAGE	667252.0	1	AP1003602	4014486485349
6	CHOPPER DRIVE 2ND STAGE	061700.1	1	AP1003356	4014486486131
7	CHOPPER DRIVE 3RD STAGE ADJUSTABLE CHOPPER	061700.1	1	AP1003356	4014486486131
8	CHOPPER DRIVE 4TH STAGE	661093.0	1	AP1001581	4014486484885
9	CUTTERBAR DRIVE, 2ND STAGE WITHOUT VARIABLE SPEED DRIVE	667454.0	2	AP1002870	4014486472981
10	CUTTERBAR DRIVE, 3RD STAGE WITH VARIABLE SPEED DRIVE	667551.1	2	AP1000867	4014486473056
11	SYNCHRONOUS DRIVE	667249.0	1	AP1003591	4014486484762
12	CUTTERBAR VARIATOR	667530.1	1	AP1001163	4014486497441
13	CHAFF SPREADER	758719.0	1	AP1003405	4014486463309
14	CLEANING, 3RD STAGE	667651.0	1	AP1001706	4014486486834
15	CLEANING, 1ST STAGE	644209.0	1	AP1000699	4014486470826
15	CLEANING, 1ST STAGE	644209.1	1	AP1004843	4014486715668
16	STRAW WALKER DRIVE	667477.0	1	AP1000387	4014486466508
20	INTENSIVE SEPERATION SYSTEM, SHORT	667973.0	1	AP1000340	4014486465877
21	INTENSIVE SEPERATION SYSTEM, LONG	667974.0	1	AP1000411	4014486466744
23	DRUM VARIATOR	667248.0	1	AP1001317	4014486497908
23	DRUM VARIATOR 2ND STAGE	667248.0	1	AP1001317	4014486497908
25	FAN DRIVE	742026.0	1	AP1000328	4014486465587
26	FAN VARIATOR	667457.0	1	AP1001079	4014486498233
27	PRE - DRUM DRIVE	667251.1	1	AP1003601	4014486485219
	DRUM VARIATOR	667248.1	1	AP1001317	4014486497908
	DRUM VARIATOR 2ND STAGE	667248.1	1	AP1001317	4014486497908
	CUTTERBAR DRIVE, 2ND STAGE WITHOUT VARIABLE SPEED DRIVE	667454.1	2	AP1002870	4014486472981
	CUTTERBAR DRIVE, 3RD STAGE WITH VARIABLE SPEED DRIVE	667551.2	2	AP1000867	4014486473056
	CHOPPER DRIVE 1ST STAGE	667958.1	1	AP1003598	4014486485073
	FAN DRIVE	742026.1	1	AP1003800	4014486518566
LEXION 460 II MTS					
0	DRUM DRIVE	176442.0	1	AP1003641	4014486489033
0	DRUM DRIVE	176442.1	1	AP1003641	4014486489033
0	THRESHING MECHANISM DRIVE	352403.0	1	AP1001253	4014486492101
0	FINGER ROLLER	509035.1	1	AP1000430	4014486466973
0	STRAW SPREADER	539443.0	1	no AP	
0	RADIATOR SCREEN 2ND STAGE	545689.0	1	AP1003332	4014486461886
0	NO. 54700041 - 54700049	628888.0	1	AP1001684	4014486486551
0	CLEANING, 1ST STAGE	644209.2	1	AP1004843	4014486715668
0	SUCTION FAN	644781.0	1	AP1005209	4014486461350
0	DRUM VARIATOR	667248.2	1	AP1001317	4014486497908
0	DRUM VARIATOR 2ND STAGE	667248.2	1	AP1001317	4014486497908
0	CUTTERBAR DRIVE, 3RD STAGE WITH VARIABLE SPEED DRIVE	667551.0	2	AP1000867	4014486473056
0	CUTTERBAR DRIVE, 3RD STAGE WITH VARIABLE SPEED DRIVE	667551.1	2	AP1000867	4014486473056
0	CHOPPER DRIVE 1ST STAGE	667958.2	1	AP1003598	4014486485073
0	CHOPPER DRIVE 3RD STAGE RIGID CHOPPER FROM NO. 54700050	749828.0	1	AP1001681	4014486486513
0	TO NO. 54700040	749828.0	1	AP1001681	4014486486513
0	SUCTION BLOWER E - CHANNEL	765985.0	1	AP1002287	4014486479706
0	FAN DRIVE	796450.0	1	AP1003969	4014486480610
0	ENGINE C9	796474.0	1	AP1003217	4014486482454
0	HYDRAULIC REEL DRIVE	829094.0	1	AP1000245	4014486463712
1	CUTTERBAR DRIVE, 1ST STAGE	667255.0	1	AP1003357	4014486488951
1	CUTTERBAR DRIVE, 1ST STAGE	667255.1	1	AP1003357	4014486488951
3	GRAIN TANK UNLOADING	667250.0	1	AP1001586	4014486484960
4	CHOPPER DRIVE 1ST STAGE	667958.3	1	AP1001593	4014486485080
5	SIEVE PAN 2ND STAGE	667252.0	1	AP1003602	4014486485349
6	CHOPPER DRIVE 2ND STAGE	061700.1	1	AP1003356	4014486486131



CLAAS

NR.	DRIVE	PART NUMBER	SET	AP NR.	EAN
7	CHOPPER DRIVE 3RD STAGE ADJUSTABLE CHOPPER	061700.1	1	AP1003356	4014486486131
8	CHOPPER DRIVE 4TH STAGE	661093.0	1	AP1001581	4014486484885
9	CUTTERBAR DRIVE, 2ND STAGE WITHOUT VARIABLE SPEED DRIVE	667454.0	2	AP1002870	4014486472981
11	SYNCHRONOUS DRIVE	667249.0	1	AP1003591	4014486484762
12	CUTTERBAR VARIATOR	667530.1	1	AP1001163	4014486497441
13	CHAFF SPREADER	758719.0	1	AP1003405	4014486463309
14	CLEANING, 3RD STAGE	667651.0	1	AP1001706	4014486486834
15	CLEANING, 1ST STAGE	644209.0	1	AP1000699	4014486470826
15	CLEANING, 1ST STAGE	644209.1	1	AP1004843	4014486715668
16	STRAW WALKER DRIVE	667477.0	1	AP1000387	4014486466508
23	DRUM VARIATOR	667248.0	1	AP1001317	4014486497908
23	DRUM VARIATOR 2ND STAGE	667248.0	1	AP1001317	4014486497908
25	FAN DRIVE	742026.0	1	AP1000328	4014486465587
26	FAN VARIATOR	667457.0	1	AP1001079	4014486498233
27	PRE - DRUM DRIVE	667251.1	1	AP1003601	4014486485219
	DRUM VARIATOR	667248.1	1	AP1001317	4014486497908
	DRUM VARIATOR 2ND STAGE	667248.1	1	AP1001317	4014486497908
	CUTTERBAR DRIVE, 2ND STAGE WITHOUT VARIABLE SPEED DRIVE	667454.1	2	AP1002870	4014486472981
	CUTTERBAR DRIVE, 3RD STAGE WITH VARIABLE SPEED DRIVE	667551.2	2	AP1000867	4014486473056
	CHOPPER DRIVE 1ST STAGE	667958.1	1	AP1003598	4014486485073
	FAN DRIVE	742026.1	1	AP1003800	4014486518566

LEXION 460 TERRA

0	THRESHING DRUM FROM NO. 45800017	176442.0	1	AP1003641	4014486489033
0	THRESHING DRUM FROM NO. 45800017	176442.1	1	AP1003641	4014486489033
0	1ST STAGE CLEANING	644209.2	1	AP1004843	4014486715668
0	SUCTION FAN	644781.0	1	AP1005209	4014486461350
0	DRUM VARIABLE SPEED DRIVE	667248.2	1	AP1001317	4014486497908
0	THRESHING DRUM AT DISC D 593 MM OPTIONAL	667255.0	1	AP1003357	4014486488951
0	THRESHING DRUM AT DISC D 593 MM OPTIONAL	667255.1	1	AP1003357	4014486488951
0	3RD STAGE CUTTERBAR WITH VARIABLE SPEED	667551.0	2	AP1000867	4014486473056
0	1ST STAGE CHOPPER	667958.2	1	AP1003598	4014486485073
1	1ST STAGE CUTTERBAR	667255.0	1	AP1003357	4014486488951
1	1ST STAGE CUTTERBAR	667255.1	1	AP1003357	4014486488951
2	THRESHING MECHANISM	667453.0	1	AP1003350	4014486492095
3	GRAIN TANK UNLOADING	667250.0	1	AP1001586	4014486484960
4	1ST STAGE CHOPPER	667958.3	1	AP1001593	4014486485080
5	2ND STAGE CLEANING	667252.0	1	AP1003602	4014486485349
6	2ND STAGE CHOPPER	061700.1	1	AP1003356	4014486486131
7	3RD STAGE CHOPPER	061700.1	1	AP1003356	4014486486131
8	4TH STAGE CHOPPER	661093.0	1	AP1001581	4014486484885
9	2ND STAGE CUTTERBAR WITHOUT VARIABLE SPEED	667454.0	2	AP1002870	4014486472981
10	3RD STAGE CUTTERBAR WITH VARIABLE SPEED	667551.1	2	AP1000867	4014486473056
11	IMPELLER DRUM	667249.0	1	AP1003591	4014486484762
12	CUTTERBAR VARIABLE SPEED	667530.0	1	AP1001163	4014486497441
13	HYDRAULIC PUMP	758719.0	1	AP1003405	4014486463309
14	3RD STAGE CLEANING	667651.0	1	AP1001706	4014486486834
15	1ST STAGE CLEANING	644209.0	1	AP1000699	4014486470826
15	1ST STAGE CLEANING	644209.1	1	AP1004843	4014486715668
16	STRAW WALKER	667477.0	1	AP1000387	4014486466508
17	COMPRESSOR	667560.0	1	AP1002597	4014486496024
17	COMPRESSOR	667560.1	1	AP1002597	4014486496024
18	MOTOR FAN	667242.0	1	AP1000225	4014486463033
19	1ST STAGE RADIATOR SCREEN	667456.0	1	AP1002554	4014486494914
20	REAR FEED RAKE	667973.0	1	AP1000340	4014486465877
21	FRONT FEED RAKE	667974.0	1	AP1000411	4014486466744
22	2ND STAGE RADIATOR SCREEN	667561.1	1	AP1000168	4014486461930



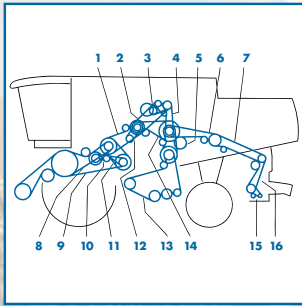
CLAAS

NR.	DRIVE	PART NUMBER	SET	AP NR.	EAN
23	DRUM VARIABLE SPEED DRIVE	667248.0	1	AP1001317	4014486497908
24	THRESHING DRUM TO NO. 45700016	667458.0	1	AP1003642	4014486489101
25	1ST STAGE BLOWER	742026.0	1	AP1000328	4014486465587
26	FAN VARIABLE SPEED DRIVE	667457.0	1	AP1001079	4014486498233
27	ACCELERATOR	667251.1	1	AP1003601	4014486485219
	DRUM VARIABLE SPEED DRIVE	667248.1	1	AP1001317	4014486497908
	2ND STAGE CUTTERBAR WITHOUT VARIABLE SPEED	667454.1	2	AP1002870	4014486472981
	CUTTERBAR VARIABLE SPEED	667530.1	1	AP1001163	4014486497441
	3RD STAGE CUTTERBAR WITH VARIABLE SPEED	667551.2	2	AP1000867	4014486473056
	1ST STAGE CHOPPER	667958.1	1	AP1003598	4014486485073
	1ST STAGE BLOWER	742026.1	1	AP1003800	4014486518566
LEXION 470					
0	CLEANING - 1ST STAGE	644209.2	1	AP1004843	4014486715668
0	DRUM DRIVE VARIABLE SPEED	667248.2	1	AP1001317	4014486497908
0	HYBRID VARIABLE SPEED DRIVE	667248.2	1	AP1001317	4014486497908
0	CUTTERBAR DRIVE - 3RD STAGE FOR VARIABLE SPEED DRIVE	667551.0	2	AP1000867	4014486473056
0	CHOPPER DRIVE - 1ST STAGE	667958.2	1	AP1003598	4014486485073
2	CUTTERBAR DRIVE - 1ST STAGE	667255.0	1	AP1003357	4014486488951
2	CUTTERBAR DRIVE - 1ST STAGE	667255.1	1	AP1003357	4014486488951
3	THRESHING MECHANISM DRIVE	352403.0	1	AP1001253	4014486492101
4	DISCHARGE DRIVE GRAIN TANK	667250.0	1	AP1001586	4014486484960
5	CHOPPER DRIVE - 1ST STAGE	667958.3	1	AP1001593	4014486485080
6	SIEVE PAN DRIVE - 2ND STAGE	667252.0	1	AP1003602	4014486485349
7	CHOPPER DRIVE - 2ND STAGE	061700.1	1	AP1003356	4014486486131
8	CHOPPER DRIVE - 3RD STAGE	350463.0	1	AP1001665	4014486486278
9	CUTTERBAR DRIVE - 2ND STAGE WITHOUT VARIABLE SPEED DRIVE	667454.0	2	AP1002870	4014486472981
10	CUTTERBAR DRIVE - 3RD STAGE FOR VARIABLE SPEED DRIVE	667551.1	2	AP1000867	4014486473056
11	SYNCHRONOUS DRIVE	667249.0	1	AP1003591	4014486484762
12	CUTTERBAR DRIVE WITH VARIABLE SPEED DRIVE	667530.1	1	AP1001163	4014486497441
13	CHAFF SPREADER DRIVE	758719.0	1	AP1003405	4014486463309
14	CLEANING - 3RD STAGE	667651.0	1	AP1001706	4014486486834
15	CLEANING - 1ST STAGE	644209.0	1	AP1000699	4014486470826
15	CLEANING - 1ST STAGE	644209.1	1	AP1004843	4014486715668
16	HYBRID DRIVE - 2ND STAGE	629510.0	1	AP1003634	4014486488623
16	HYBRID DRIVE - 2ND STAGE	629510.1	1	AP1003634	4014486488623
17	HYBRID DRIVE - 1ST STAGE	749886.1	1	AP1001928	4014486489972
22	DRUM DRIVE VARIABLE SPEED	667248.0	1	AP1001317	4014486497908
23	DRUM DRIVE	176442.0	1	AP1003641	4014486489033
23	DRUM DRIVE	176442.1	1	AP1003641	4014486489033
25	FAN DRIVE	742026.0	1	AP1000328	4014486465587
26	SUCTION FAN	644781.0	1	AP1005209	4014486461350
27	FAN DRIVE VARIABLE SPEED	667457.0	1	AP1001079	4014486498233
28	PRE-DRUM DRIVE	667251.1	1	AP1003601	4014486485219
29	HYDRAULIC REEL PUMP DRIVE	829094.0	1	AP1000245	4014486463712
30	STRAW SPREADER DRIVE	539443.0	1	no AP	
31	HYBRID VARIABLE SPEED DRIVE	667248.0	1	AP1001317	4014486497908
32	RADIATOR SCREEN 2ND STAGE	545689.0	1	AP1003332	4014486461886
33	ENGINE C9	796474.0	1	AP1003217	4014486482454
34	FAN DRIVE	796450.0	1	AP1003969	4014486480610
	DRUM DRIVE VARIABLE SPEED	667248.1	1	AP1001317	4014486497908
	HYBRID VARIABLE SPEED DRIVE	667248.1	1	AP1001317	4014486497908
	CUTTERBAR DRIVE - 2ND STAGE WITHOUT VARIABLE SPEED DRIVE	667454.1	2	AP1002870	4014486472981
	CUTTERBAR DRIVE - 3RD STAGE FOR VARIABLE SPEED DRIVE	667551.2	2	AP1000867	4014486473056
	CHOPPER DRIVE - 1ST STAGE	667958.1	1	AP1003598	4014486485073
	FAN DRIVE	742026.1	1	AP1003800	4014486518566

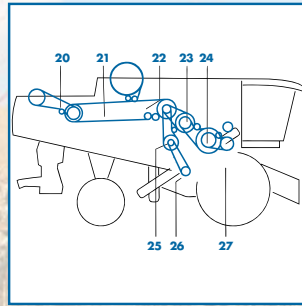


CLAAS

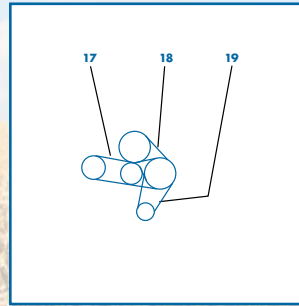
NR.	DRIVE	PART NUMBER	SET	AP NR.	EAN
LEXION 470 MONTANA					
0	CLEANING, 1ST STAGE	644209.2	1	AP1004843	4014486715668
0	DRUM VARIATOR	667248.2	1	AP1001317	4014486497908
0	HYBRID VARIABLE SPEED DRIVE	667248.2	1	AP1001317	4014486497908
0	CUTTERBAR DRIVE 3RD STAGE WITH VARIABLE SPEED DRIVE	667551.0	2	AP1000867	4014486473056
0	CHOPPER DRIVE 1ST STAGE	667958.2	1	AP1003598	4014486485073
2	CUTTERBAR DRIVE, 1ST STAGE	667255.0	1	AP1003357	4014486488951
2	CUTTERBAR DRIVE, 1ST STAGE	667255.1	1	AP1003357	4014486488951
3	THRESHING MECHANISM DRIVE	352403.0	1	AP1001253	4014486492101
4	GRAIN TANK UNLOADING	667250.0	1	AP1001586	4014486484960
5	CHOPPER DRIVE 1ST STAGE	667958.3	1	AP1001593	4014486485080
6	SIEVE PAN, 2ND STAGE	667252.0	1	AP1003602	4014486485349
7	CHOPPER DRIVE 2ND STAGE	061700.1	1	AP1003356	4014486486131
8	CHOPPER DRIVE 3RD STAGE	350463.0	1	AP1001665	4014486486278
9	CUTTERBAR DRIVE 2ND STAGE WITHOUT VARIABLE SPEED DRIVE	667454.0	2	AP1002870	4014486472981
10	CUTTERBAR DRIVE 3RD STAGE WITH VARIABLE SPEED DRIVE	667551.1	2	AP1000867	4014486473056
11	SYNCHRONOUS DRIVE	667249.0	1	AP1003591	4014486484762
12	CUTTERBAR VARIATOR	667530.0	1	AP1001163	4014486497441
13	CHAFF SPREADER	758719.0	1	AP1003405	4014486463309
14	CLEANING, 3RD STAGE	667651.0	1	AP1001706	4014486486834
15	CLEANING, 1ST STAGE	644209.0	1	AP1000699	4014486470826
15	CLEANING, 1ST STAGE	644209.1	1	AP1004843	4014486715668
16	HYBRID DRIVE, 2ND STAGE	629510.0	1	AP1003634	4014486488623
16	HYBRID DRIVE, 2ND STAGE	629510.1	1	AP1003634	4014486488623
17	HYBRID DRIVE, 1ST STAGE	749886.1	1	AP1001928	4014486489972
22	DRUM VARIATOR	667248.0	1	AP1001317	4014486497908
23	DRUM DRIVE	176442.0	1	AP1003641	4014486489033
23	DRUM DRIVE	176442.1	1	AP1003641	4014486489033
25	FAN DRIVE	742026.0	1	AP1000328	4014486465587
26	SUCTION FAN	644781.0	1	AP1005209	4014486461350
27	FAN VARIATOR	667457.0	1	AP1001079	4014486498233
28	PRE - DRUM DRIVE	667251.1	1	AP1003601	4014486485219
29	HYDRAULIC REEL DRIVE	829094.0	1	AP1000245	4014486463712
30	STRAW SPREADER	539443.0	1	no AP	
31	HYBRID VARIABLE SPEED DRIVE	667248.0	1	AP1001317	4014486497908
32	RADIATOR SCREEN 2ND STAGE	545689.0	1	AP1003332	4014486461886
33	ENGINE C9	796474.0	1	AP1003217	4014486482454
34	FAN DRIVE	796450.0	1	AP1003969	4014486480610
	DRUM VARIATOR	667248.1	1	AP1001317	4014486497908
	HYBRID VARIABLE SPEED DRIVE	667248.1	1	AP1001317	4014486497908
	CUTTERBAR DRIVE 2ND STAGE WITHOUT VARIABLE SPEED DRIVE	667454.1	2	AP1002870	4014486472981
	CUTTERBAR VARIATOR	667530.1	1	AP1001163	4014486497441
	CUTTERBAR DRIVE 3RD STAGE WITH VARIABLE SPEED DRIVE	667551.2	2	AP1000867	4014486473056
	CHOPPER DRIVE 1ST STAGE	667958.1	1	AP1003598	4014486485073
	FAN DRIVE	742026.1	1	AP1003800	4014486518566



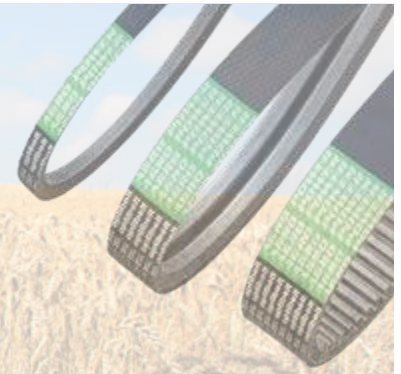
LEXION 480 LEFT



LEXION 480 RIGHT



LEXION 480



CLAAS

NR.	DRIVE	PART NUMBER	SET	AP NR.	EAN
LEXION 480					
0	SIEVE PAN DRIVE - 1ST STAGE	644209.2	1	AP1004843	4014486715668
0	THRESHING DRUM VARIATOR DRIVE	667248.2	1	AP1001317	4014486497908
0	UNI SPREADER DRIVE - 1ST STAGE	667798.0	1	AP1000307	4014486465143
0	KNIFE DRIVE	742025.0	1	AP1000650	4014486470123
0	FAN DRIVE - 1ST STAGE	742026.1	1	AP1003800	4014486518566
1	CLUTCH FOR CUTTERBAR DRIVE	667255.0	1	AP1003357	4014486488951
1	CLUTCH FOR CUTTERBAR DRIVE	667255.1	1	AP1003357	4014486488951
2	TENSIONER FOR THRESHING MECHANICAL DRIVE	667881.0	1	AP1001320	4014486492828
3	DISCHARGE DRIVE GRAIN TANK	667250.0	1	AP1001586	4014486484960
4	STRAW CHOPPER DRIVE - 1ST STAGE	644685.0	1	AP1003359	4014486488449
4	STRAW CHOPPER DRIVE - 1ST STAGE	644685.1	1	AP1003359	4014486488449
5	SIEVE PAN DRIVE - 2ND STAGE	667252.0	1	AP1003602	4014486485349
6	STRAW CHOPPER DRIVE - 2ND STAGE	061700.1	1	AP1003356	4014486486131
7	STRAW CHOPPER DRIVE - 2ND STAGE	661298.0	1	AP1001630	4014486485738
7	STRAW CHOPPER DRIVE - 2ND STAGE	749712.0	1	AP1003611	4014486486230
8	CUTTERBAR DRIVE WITHOUT VARIATOR DRIVE	667454.0	2	AP1002870	4014486472981
9	CUTTERBAR DRIVE WITH VARIABLE SPEED DRIVE	667551.0	2	AP1000867	4014486473056
9	CUTTERBAR DRIVE WITH VARIABLE SPEED DRIVE	667551.2	2	AP1000867	4014486473056
10	IMPELLER DRUM DRIVE	667249.0	1	AP1003591	4014486484762
11	CUTTERBAR DRIVE WITH VARIABLE SPEED DRIVE	667530.0	1	AP1001163	4014486497441
12	HYDRAULIC PUMP DRIVE	233843.1	1	AP1000237	4014486463408
12	HYDRAULIC PUMP DRIVE	758719.0	1	AP1003405	4014486463309
13	SIEVE PAN DRIVE 2RD STAGE	667651.0	1	AP1001706	4014486486834
14	SIEVE PAN DRIVE - 1ST STAGE	644209.0	1	AP1000699	4014486470826
14	SIEVE PAN DRIVE - 1ST STAGE	644209.1	1	AP1004843	4014486715668
15	UNI SPREADER DRIVE - 2ND STAGE	667891.0	1	AP1001013	4014486487954
16	UNI SPREADER DRIVE - 1ST STAGE	667798.2	1	AP1000310	4014486465198
17	COMPRESSOR DRIVE	667560.0	1	AP1002597	4014486496024
17	COMPRESSOR DRIVE	667560.1	1	AP1002597	4014486496024
18	ROTARY SCREEN FAN AND DRIVE	667242.0	1	AP1000225	4014486463033
19	ROTARY SCREEN DRIVE	667456.0	1	AP1002554	4014486494914
20	HYBRID DRIVE - 2ND STAGE	667427.0	1	AP1001839	4014486488654
20	HYBRID DRIVE - 2ND STAGE	667983.0	1	AP1003645	4014486489194
21	HYBRID DRIVE - 1ST STAGE	667554.0	1	AP1001926	4014486489941
22	ROTARY SCREEN DRIVE	667561.1	1	AP1000168	4014486461930
23	THRESHING DRUM VARIATOR DRIVE	667248.0	1	AP1001317	4014486497908
24	THRESHING DRUM VARIATOR DRIVE	667458.0	1	AP1003642	4014486489101
25	FAN DRIVE - 1ST STAGE	742026.0	1	AP1000328	4014486465587
26	FAN INTERMEDIATE DRIVE	667457.0	1	AP1001079	4014486498233
27	SPEED REDUCING GEAR BOX	667251.0	1	AP1003601	4014486485219
	THRESHING DRUM VARIATOR DRIVE	667248.1	1	AP1001317	4014486497908
	SPEED REDUCING GEAR BOX	667251.1	1	AP1003601	4014486485219
	CUTTERBAR DRIVE WITHOUT VARIATOR DRIVE	667454.1	2	AP1002870	4014486472981
	CUTTERBAR DRIVE WITH VARIABLE SPEED DRIVE	667530.1	1	AP1001163	4014486497441
	CUTTERBAR DRIVE WITH VARIABLE SPEED DRIVE	667551.1	2	AP1000867	4014486473056
	UNI SPREADER DRIVE - 1ST STAGE	667798.1	1	AP1000307	4014486465143
	UNI SPREADER DRIVE - 2ND STAGE	667891.1	1	AP1001012	4014486487947
LEXION 480 II					
0	CLEANING, 1ST STAGE	644209.2	1	AP1004843	4014486715668
0	DRUM VARIATOR	667248.2	1	AP1001317	4014486497908
0	HYBRID VARIABLE SPEED DRIVE	667248.2	1	AP1001317	4014486497908
0	CUTTERBAR DRIVE, 3RD STAGE WITH VARIABLE SPEED DRIVE	667551.0	2	AP1000867	4014486473056
0	FAN DRIVE	742026.1	1	AP1003800	4014486518566
2	CUTTERBAR DRIVE, 1ST STAGE	667255.0	1	AP1003357	4014486488951



CLAAS

NR.	DRIVE	PART NUMBER	SET	AP NR.	EAN
2	CUTTERBAR DRIVE, 1ST STAGE	667255.1	1	AP1003357	4014486488951
3	THRESHING MECHANISM DRIVE	667881.0	1	AP1001320	4014486492828
4	GRAIN TANK UNLOADING	667250.0	1	AP1001586	4014486484960
5	CHOPPER DRIVE 1ST STAGE	644966.0	1	AP1001823	4014486488425
6	SIEVE PAN, 2ND STAGE	667252.0	1	AP1003602	4014486485349
7	CHOPPER DRIVE, 2ND STAGE	644889.0	1	AP1001658	4014486486148
8	CHOPPER DRIVE, 3RD STAGE ONLY FOR RICE	350463.0	1	AP1001665	4014486486278
8	STRENGTHENED DRIVE	644890.0	1	AP1001664	4014486486247
9	CUTTERBAR DRIVE, 2ND STAGE WITHOUT VARIABLE SPEED DRIVE	667454.0	2	AP1002870	4014486472981
10	CUTTERBAR DRIVE, 3RD STAGE WITH VARIABLE SPEED DRIVE	667551.1	2	AP1000867	4014486473056
11	SYNCHRONOUS DRIVE	667249.0	1	AP1003591	4014486484762
12	CUTTERBAR VARIATOR	667530.1	1	AP1001163	4014486497441
13	AT SPREADER FAN	233843.1	1	AP1000237	4014486463408
13	AT CHAFF SPREADER	758719.0	1	AP1003405	4014486463309
14	CLEANING, 3RD STAGE	644866.0	1	AP1003618	4014486486865
15	CLEANING, 1ST STAGE	644209.0	1	AP1000699	4014486470826
15	CLEANING, 1ST STAGE	644209.1	1	AP1004843	4014486715668
16	HYBRID DRIVE, 2ND STAGE	629510.0	1	AP1003634	4014486488623
16	HYBRID DRIVE, 2ND STAGE	629510.1	1	AP1003634	4014486488623
17	HYBRID DRIVE, 1ST STAGE	749886.1	1	AP1001928	4014486489972
18	RADIATOR SCREEN 2ND STAGE	545689.0	1	AP1003332	4014486461886
19	FAN DRIVE / C12	761979.1	1	AP1002668	4014486482027
22	DRUM VARIATOR	667248.0	1	AP1001317	4014486497908
23	DRUM DRIVE	176442.0	1	AP1003641	4014486489033
23	DRUM DRIVE	176442.1	1	AP1003641	4014486489033
25	FAN DRIVE	742026.0	1	AP1000328	4014486465587
26	SUCTION FAN	644781.0	1	AP1005209	4014486461350
27	FAN VARIATOR	667457.0	1	AP1001079	4014486498233
28	PRE - DRUM DRIVE	667251.1	1	AP1003601	4014486485219
29	HYDRAULIC REEL DRIVE	829094.0	1	AP1000245	4014486463712
30	STRAW SPREADER	539443.0	1	no AP	
31	HYBRID VARIABLE SPEED DRIVE	667248.0	1	AP1001317	4014486497908
32	SPREADER FAN, 2ND STAGE	667891.1	1	AP1001012	4014486487947
33	SPREADER FAN, 1ST STAGE	644942.0	1	AP1001385	4014486475012
34	SUCTION BLOWER E - CHANNEL	765985.0	1	AP1002287	4014486479706
	DRUM VARIATOR	667248.1	1	AP1001317	4014486497908
	HYBRID VARIABLE SPEED DRIVE	667248.1	1	AP1001317	4014486497908
	CUTTERBAR DRIVE, 2ND STAGE WITHOUT VARIABLE SPEED DRIVE	667454.1	2	AP1002870	4014486472981
	CUTTERBAR DRIVE, 3RD STAGE WITH VARIABLE SPEED DRIVE	667551.2	2	AP1000867	4014486473056

LEXION 480 II MTS

0	CLEANING, 1ST STAGE	644209.2	1	AP1004843	4014486715668
0	DRUM VARIATOR	667248.2	1	AP1001317	4014486497908
0	HYBRID VARIABLE SPEED DRIVE	667248.2	1	AP1001317	4014486497908
0	CUTTERBAR DRIVE 3RD STAGE WITH VARIABLE SPEED DRIVE	667551.0	2	AP1000867	4014486473056
0	FAN DRIVE	742026.1	1	AP1003800	4014486518566
2	CUTTERBAR DRIVE, 1ST STAGE	667255.0	1	AP1003357	4014486488951
2	CUTTERBAR DRIVE, 1ST STAGE	667255.1	1	AP1003357	4014486488951
3	THRESHING MECHANISM DRIVE	667881.0	1	AP1001320	4014486492828
4	GRAIN TANK UNLOADING	667250.0	1	AP1001586	4014486484960
5	CHOPPER DRIVE, 1ST STAGE	644966.0	1	AP1001823	4014486488425
6	SIEVE PAN, 2ND STAGE	667252.0	1	AP1003602	4014486485349
7	CHOPPER DRIVE 2ND STAGE	644889.0	1	AP1001658	4014486486148
8	CHOPPER DRIVE 3RD STAGE ONLY FOR RICE	350463.0	1	AP1001665	4014486486278
8	STRENGTHENED DRIVE	644890.0	1	AP1001664	4014486486247
9	CUTTERBAR DRIVE 2ND STAGE WITHOUT VARIABLE SPEED DRIVE	667454.0	2	AP1002870	4014486472981
10	CUTTERBAR DRIVE 3RD STAGE WITH VARIABLE SPEED DRIVE	667551.1	2	AP1000867	4014486473056



CLAAS

NR.	DRIVE	PART NUMBER	SET	AP NR.	EAN
11	SYNCHRONOUS DRIVE	667249.0	1	AP1003591	4014486484762
12	CUTTERBAR VARIATOR	667530.1	1	AP1001163	4014486497441
13	AT SPREADER FAN	233843.1	1	AP1000237	4014486463408
13	AT CHAFF SPREADER	758719.0	1	AP1003405	4014486463309
14	CLEANING, 3RD STAGE	644866.0	1	AP1003618	4014486486865
15	CLEANING, 1ST STAGE	644209.0	1	AP1000699	4014486470826
15	CLEANING, 1ST STAGE	644209.1	1	AP1004843	4014486715668
16	HYBRID DRIVE, 2ND STAGE	629510.0	1	AP1003634	4014486488623
16	HYBRID DRIVE, 2ND STAGE	629510.1	1	AP1003634	4014486488623
17	HYBRID DRIVE, 1ST STAGE	749886.1	1	AP1001928	4014486489972
18	RADIATOR SCREEN 2ND STAGE	545689.0	1	AP1003332	4014486461886
19	FAN DRIVE / C12	761979.1	1	AP1002668	4014486482027
22	DRUM VARIATOR	667248.0	1	AP1001317	4014486497908
23	DRUM DRIVE	176442.0	1	AP1003641	4014486489033
23	DRUM DRIVE	176442.1	1	AP1003641	4014486489033
25	FAN DRIVE	742026.0	1	AP1000328	4014486465587
26	SUCTION FAN	644781.0	1	AP1005209	4014486461350
27	FAN VARIATOR	667457.0	1	AP1001079	4014486498233
28	PRE - DRUM DRIVE	667251.1	1	AP1003601	4014486485219
29	HYDRAULIC REEL DRIVE	829094.0	1	AP1000245	4014486463712
30	STRAW SPREADER	539443.0	1	no AP	
31	HYBRID VARIABLE SPEED DRIVE	667248.0	1	AP1001317	4014486497908
32	SPREADER FAN, 2ND STAGE	667891.1	1	AP1001012	4014486487947
33	SPREADER FAN, 1ST STAGE	644942.0	1	AP1001385	4014486475012
34	SUCTION BLOWER E - CHANNEL	765985.0	1	AP1002287	4014486479706
	DRUM VARIATOR	667248.1	1	AP1001317	4014486497908
	HYBRID VARIABLE SPEED DRIVE	667248.1	1	AP1001317	4014486497908
	CUTTERBAR DRIVE 2ND STAGE WITHOUT VARIABLE SPEED DRIVE	667454.1	2	AP1002870	4014486472981
	CUTTERBAR DRIVE 3RD STAGE WITH VARIABLE SPEED DRIVE	667551.2	2	AP1000867	4014486473056
LEXION 480 TERRA					
0	1ST STAGE CLEANING	644209.2	1	AP1004843	4014486715668
0	DRUM VARIABLE SPEED DRIVE	667248.2	1	AP1001317	4014486497908
0	3RD STAGE CUTTERBAR WITH VARIABLE SPEED DRIVE	667551.0	2	AP1000867	4014486473056
0	1ST EACH SPREADER BLOWER TO NO. 46800033	667798.0	1	AP1000307	4014486465143
0	1ST STAGE BLOWER	742026.1	1	AP1003800	4014486518566
1	1ST STAGE CUTTERBAR	667255.0	1	AP1003357	4014486488951
1	1ST STAGE CUTTERBAR	667255.1	1	AP1003357	4014486488951
2	THRESHING MECHANISM	667881.0	1	AP1001320	4014486492828
3	GRAIN TANK UNLOADING	667250.0	1	AP1001586	4014486484960
4	1ST STAGE CHOPPER TO NO. 46800070	644685.1	1	AP1003359	4014486488449
4	1ST STAGE CHOPPER FROM NO. 46800071	644966.0	1	AP1001823	4014486488425
5	2ND STAGE CLEANING	667252.0	1	AP1003602	4014486485349
6	2ND STAGE CHOPPER TO NO. 46800070	061700.1	1	AP1003356	4014486486131
6	2ND STAGE CHOPPER FROM NO. 46800071	644889.0	1	AP1001658	4014486486148
7	3RD STAGE CHOPPER FROM NO. 46800071	644890.0	1	AP1001664	4014486486247
7	3RD STAGE CHOPPER TO NO. 46800070	749712.0	1	AP1003611	4014486486230
8	2ND STAGE CUTTERBAR WITHOUT VARIABLE SPEED DRIVE	667454.0	2	AP1002870	4014486472981
9	3RD STAGE CUTTERBAR WITH VARIABLE SPEED DRIVE	667551.1	2	AP1000867	4014486473056
10	IMPELLER DRUM	667249.0	1	AP1003591	4014486484762
11	CUTTERBAR VARIABLE SPEED DRIVE	667530.0	1	AP1001163	4014486497441
12	STRAW SPREADER	233843.1	1	AP1000237	4014486463408
12	STRAW SPREADER	758719.0	1	AP1003405	4014486463309
13	3RD STAGE CLEANING	644866.0	1	AP1003618	4014486486865
14	1ST STAGE CLEANING	644209.0	1	AP1000699	4014486470826
14	1ST STAGE CLEANING	644209.1	1	AP1004843	4014486715668
15	2ND STAGE SPREADER BLOWER	667891.1	1	AP1001012	4014486487947



CLAAS

NR.	DRIVE	PART NUMBER	SET	AP NR.	EAN
16	1ST EACH SPREADER BLOWER FROM NO. 46800034	644942.0	1	AP1001385	4014486475012
16	1ST EACH SPREADER BLOWER TO NO. 46800033	667798.2	1	AP1000310	4014486465198
17	COMPRESSOR	667560.0	1	AP1002597	4014486496024
17	COMPRESSOR	667560.1	1	AP1002597	4014486496024
18	MOTOR FAN	667242.0	1	AP1000225	4014486463033
19	1ST STAGE RADIATOR SCREEN	667456.0	1	AP1002554	4014486494914
20	2ND STAGE HYBRID FROM NO. 46800081	629510.0	1	AP1003634	4014486488623
20	2ND STAGE HYBRID FROM NO. 46800081	629510.1	1	AP1003634	4014486488623
20	BEI N = 300 MIN-1	667458.0	1	AP1003642	4014486489101
20	2ND STAGE HYBRID TO NO. 46800080	667983.0	1	AP1003645	4014486489194
21	1ST STAGE HYBRID TO NO. 46800080	667554.0	1	AP1001926	4014486489941
21	1ST STAGE HYBRID FROM NO. 46800081	749886.1	1	AP1001928	4014486489972
22	2ND STAGE RADIATOR SCREEN	667561.1	1	AP1000168	4014486461930
23	DRUM VARIBALE SPEED DRIVE	667248.0	1	AP1001317	4014486497908
24	THRESHING DRUM	176442.0	1	AP1003641	4014486489033
24	THRESHING DRUM	176442.1	1	AP1003641	4014486489033
24	THRESHING DRUM AT DISC 644878.1 OPTIONAL	667255.0	1	AP1003357	4014486488951
24	THRESHING DRUM AT DISC 644878.1 OPTIONAL	667255.1	1	AP1003357	4014486488951
25	1ST STAGE BLOWER	742026.0	1	AP1000328	4014486465587
26	FAN VARIABLE SPEED DRIVE	667457.0	1	AP1001079	4014486498233
27	ACCELERATOR	667251.1	1	AP1003601	4014486485219
28	SUCTION FAN	644781.0	1	AP1005209	4014486461350
	DRUM VARIBALE SPEED DRIVE	667248.1	1	AP1001317	4014486497908
	2ND STAGE CUTTERBAR WITHOUT VARIABLE SPEED DRIVE	667454.1	2	AP1002870	4014486472981
	CUTTERBAR VARIABLE SPEED DRIVE	667530.1	1	AP1001163	4014486497441
	3RD STAGE CUTTERBAR WITH VARIABLE SPEED DRIVE	667551.2	2	AP1000867	4014486473056
	1ST EACH SPREADER BLOWER TO NO. 46800033	667798.1	1	AP1000307	4014486465143

LEXION 510

0	CLEANING, 1ST STAGE	644209.2	1	AP1004843	4014486715668
0	DRUM VARIATOR FROM NO. 58300369	667248.2	1	AP1001317	4014486497908
0	CUTTERBAR DRIVE, 3RD STAGE WITH VARIABLE SPEED DRIVE	667551.0	2	AP1000867	4014486473056
0	CHOPPER DRIVE 1ST STAGE AT MOTOR 3126B AND C9 - EXHAUST LEVEL 3A	667958.2	1	AP1003598	4014486485073
0	CHAFF SPREADER	746508.3	1	AP1000266	4014486464252
2	CUTTERBAR DRIVE, 1ST STAGE	644892.0	1	AP1001860	4014486488968
3	THRESHING MECHANISM DRIVE P02/540/541/560/P02/670/671/680/681	352371.1	1	AP1001982	4014486491012
3	THRESHING MECHANISM DRIVE P02/590/591/660/661	667453.0	1	AP1003350	4014486492095
4	GRAIN TANK UNLOADING	667250.0	1	AP1001586	4014486484960
5	CHOPPER DRIVE 1ST STAGE AT MOTOR C6.6	355696.0	1	AP1004835	4014486717099
5	CHOPPER DRIVE 1ST STAGE AT MOTOR 3126B AND C9 - EXHAUST LEVEL 3A	667958.3	1	AP1001593	4014486485080
6	SIEVE PAN, 2ND STAGE	667252.0	1	AP1003602	4014486485349
7	CHOPPER DRIVE, 2ND STAGE	061700.1	1	AP1003356	4014486486131
8	CHOPPER DRIVE, 3RD STAGE RIGID CHOPPER	628888.0	1	AP1001684	4014486486551
9	CUTTERBAR DRIVE, 2ND STAGE WITHOUT VARIABLE SPEED DRIVE	667454.0	2	AP1002870	4014486472981
10	CUTTERBAR DRIVE, 3RD STAGE WITH VARIABLE SPEED DRIVE	667551.1	2	AP1000867	4014486473056
11	SYNCHRONOUS DRIVE	667249.0	1	AP1003591	4014486484762
12	CUTTERBAR VARIATOR	667530.1	1	AP1001163	4014486497441
13	CHAFF SPREADER	746508.1	1	AP1000266	4014486464252
14	CLEANING, 3RD STAGE	667651.0	1	AP1001706	4014486486834
15	CLEANING, 1ST STAGE	644209.0	1	AP1000699	4014486470826
15	CLEANING, 1ST STAGE	644209.1	1	AP1004843	4014486715668
19	FINGER ROLLER	628991.0	1	AP1000433	4014486467000
22	DRUM VARIATOR	661427.0	1	AP1001228	4014486497847
22	DRUM VARIATOR FROM NO. 58300369	667248.0	1	AP1001317	4014486497908
23	DRUM DRIVE	176442.0	1	AP1003641	4014486489033
23	DRUM DRIVE	176442.1	1	AP1003641	4014486489033
23	DRUM DRIVE	644902.0	1	AP1001639	4014486485905



CLAAS

NR.	DRIVE	PART NUMBER	SET	AP NR.	EAN
25	FAN DRIVE	778717.1	2	AP1004307	4014486714937
26	SUCTION BLOWER	644843.0	1	AP1004358	4014486714029
27	FAN VARIATOR	667457.0	1	AP1001079	4014486498233
28	PRE - DRUM DRIVE	667251.1	1	AP1003601	4014486485219
29	HYDRAULIC REEL DRIVE	829094.0	1	AP1000245	4014486463712
30	STRAW WALKER DRIVE	667477.0	1	AP1000387	4014486466508
31	STRAW SPREADER	539443.0	1	no AP	
33	RADIATOR SCREEN 2ND STAGE	545689.0	1	AP1003332	4014486461886
34	AT MOTOR 3126B	796474.0	1	AP1003217	4014486482454
34	ENGINE C6.6	798820.0	1	AP1003158	4014486481204
35	AT MOTOR C6.6	580157.0	1	AP1003812	4014486481310
35	AT MOTOR C9	584627.0	1	AP1002652	4014486481259
35	AT MOTOR C9	584627.1	1	AP1002652	4014486481259
35	FAN DRIVE AT MOTOR 3126B	796450.0	1	AP1003969	4014486480610
36	SUCTION BLOWER E - CHANNEL	765985.0	1	AP1002287	4014486479706
	DRUM VARIATOR FROM NO. 58300369	667248.1	1	AP1001317	4014486497908
	CUTTERBAR DRIVE, 2ND STAGE WITHOUT VARIABLE SPEED DRIVE	667454.1	2	AP1002870	4014486472981
	CUTTERBAR DRIVE, 3RD STAGE WITH VARIABLE SPEED DRIVE	667551.2	2	AP1000867	4014486473056
	CHOPPER DRIVE 1ST STAGE AT MOTOR 3126B AND C9 - EXHAUST LEVEL 3A	667958.1	1	AP1003598	4014486485073

LEXION 520 MONTANA

0	CLEANING, 1ST STAGE	644209.2	1	AP1004843	4014486715668
0	DRUM VARIATOR	667248.2	1	AP1001317	4014486497908
0	CUTTERBAR DRIVE 3RD STAGE WITH VARIABLE SPEED DRIVE	667551.0	2	AP1000867	4014486473056
0	CHOPPER DRIVE 1ST STAGE AT MOTOR 3126B, C9	667958.2	1	AP1003598	4014486485073
0	CHAFF SPREADER	746508.3	1	AP1000266	4014486464252
2	CUTTERBAR DRIVE 1ST STAGE	644892.0	1	AP1001860	4014486488968
3	THRESHING MECHANISM DRIVE P02/540/541/670/671	352371.1	1	AP1001982	4014486491012
3	THRESHING MECHANISM DRIVE P02/660/661 FROM NO. 58200137	352403.0	1	AP1001253	4014486492101
3	THRESHING MECHANISM DRIVE P02/590/591 P02/660/661	667453.0	1	AP1003350	4014486492095
4	GRAIN TANK UNLOADING	667250.0	1	AP1001586	4014486484960
5	CHOPPER DRIVE 1ST STAGE AT MOTOR C6.6	355696.0	1	AP1004835	4014486717099
5	CHOPPER DRIVE 1ST STAGE AT MOTOR 3126B, C9	667958.3	1	AP1001593	4014486485080
6	SIEVE PAN 2ND STAGE	667252.0	1	AP1003602	4014486485349
7	CHOPPER DRIVE 2ND STAGE	061700.1	1	AP1003356	4014486486131
8	CHOPPER DRIVE 3RD STAGE RIGID CHOPPER	628888.0	1	AP1001684	4014486486551
9	CUTTERBAR DRIVE 2ND STAGE WITHOUT VARIABLE SPEED DRIVE	667454.0	2	AP1002870	4014486472981
10	CUTTERBAR DRIVE 3RD STAGE WITH VARIABLE SPEED DRIVE	667551.1	2	AP1000867	4014486473056
11	SYNCHRONOUS DRIVE	667249.0	1	AP1003591	4014486484762
12	CUTTERBAR VARIATOR	667530.1	1	AP1001163	4014486497441
13	CHAFF SPREADER	746508.1	1	AP1000266	4014486464252
14	CLEANING, 3RD STAGE	667651.0	1	AP1001706	4014486486834
15	CLEANING, 1ST STAGE	644209.0	1	AP1000699	4014486470826
15	CLEANING, 1ST STAGE	644209.1	1	AP1004843	4014486715668
19	FINGER ROLLER	628991.0	1	AP1000433	4014486467000
22	DRUM VARIATOR	667248.0	1	AP1001317	4014486497908
23	DRUM DRIVE	176442.0	1	AP1003641	4014486489033
23	DRUM DRIVE	176442.1	1	AP1003641	4014486489033
25	FAN DRIVE	746506.0	4	AP1002784	4014486465716
26	SUCTION FAN	644781.0	1	AP1005209	4014486461350
27	FAN VARIATOR	667457.0	1	AP1001079	4014486498233
28	PRE - DRUM DRIVE	667251.1	1	AP1003601	4014486485219
29	HYDRAULIC REEL DRIVE	829094.0	1	AP1000245	4014486463712
30	STRAW WALKER DRIVE	667477.0	1	AP1000387	4014486466508
31	STRAW SPREADER	539443.0	1	no AP	
33	RADIATOR SCREEN 2ND STAGE	545689.0	1	AP1003332	4014486461886
34	AT MOTOR 3126B	796474.0	1	AP1003217	4014486482454



CLAAS

NR.	DRIVE	PART NUMBER	SET	AP NR.	EAN
34	ENGINE C6.6	798820.0	1	AP1003158	4014486481204
35	AT MOTOR C6.6	580157.0	1	AP1003812	4014486481310
35	AT MOTOR C9	584627.1	1	AP1002652	4014486481259
35	FAN DRIVE AT MOTOR 3126B	796450.0	1	AP1003969	4014486480610
36	SUCTION BLOWER E - CHANNEL	765985.0	1	AP1002287	4014486479706
	DRUM VARIATOR	667248.1	1	AP1001317	4014486497908
	CUTTERBAR DRIVE 2ND STAGE WITHOUT VARIABLE SPEED DRIVE	667454.1	2	AP1002870	4014486472981
	CUTTERBAR DRIVE 3RD STAGE WITH VARIABLE SPEED DRIVE	667551.2	2	AP1000867	4014486473056
	CHOPPER DRIVE 1ST STAGE AT MOTOR 3126B, C9	667958.1	1	AP1003598	4014486485073
LEXION 530					
0	CLEANING, 1ST STAGE	644209.2	1	AP1004843	4014486715668
0	DRUM VARIATOR FROM NO. 58300369	667248.2	1	AP1001317	4014486497908
0	CUTTERBAR DRIVE, 3RD STAGE WITH VARIABLE SPEED DRIVE	667551.0	2	AP1000867	4014486473056
0	CHOPPER DRIVE 1ST STAGE AT MOTOR 3126B AND C9 - EXHAUST LEVEL 3A	667958.2	1	AP1003598	4014486485073
0	CHAFF SPREADER	746508.3	1	AP1000266	4014486464252
2	CUTTERBAR DRIVE, 1ST STAGE	644892.0	1	AP1001860	4014486488968
3	THRESHING MECHANISM DRIVE P02/540/541/560/P02/670/671/680/681	352371.1	1	AP1001982	4014486491012
3	THRESHING MECHANISM DRIVE P02/590/591/660/661	667453.0	1	AP1003350	4014486492095
4	GRAIN TANK UNLOADING	667250.0	1	AP1001586	4014486484960
5	CHOPPER DRIVE 1ST STAGE AT MOTOR C6.6	355696.0	1	AP1004835	4014486717099
5	CHOPPER DRIVE 1ST STAGE AT MOTOR 3126B AND C9 - EXHAUST LEVEL 3A	667958.3	1	AP1001593	4014486485080
6	SIEVE PAN, 2ND STAGE	667252.0	1	AP1003602	4014486485349
7	CHOPPER DRIVE, 2ND STAGE	061700.1	1	AP1003356	4014486486131
8	CHOPPER DRIVE, 3RD STAGE RIGID CHOPPER	628888.0	1	AP1001684	4014486486551
9	CUTTERBAR DRIVE, 2ND STAGE WITHOUT VARIABLE SPEED DRIVE	667454.0	2	AP1002870	4014486472981
10	CUTTERBAR DRIVE, 3RD STAGE WITH VARIABLE SPEED DRIVE	667551.1	2	AP1000867	4014486473056
11	SYNCHRONOUS DRIVE	667249.0	1	AP1003591	4014486484762
12	CUTTERBAR VARIATOR	667530.1	1	AP1001163	4014486497441
13	CHAFF SPREADER	746508.1	1	AP1000266	4014486464252
14	CLEANING, 3RD STAGE	667651.0	1	AP1001706	4014486486834
15	CLEANING, 1ST STAGE	644209.0	1	AP1000699	4014486470826
15	CLEANING, 1ST STAGE	644209.1	1	AP1004843	4014486715668
19	FINGER ROLLER	628991.0	1	AP1000433	4014486467000
22	DRUM VARIATOR FROM NO. 58300369	667248.0	1	AP1001317	4014486497908
23	DRUM DRIVE LEXION 530, 520, 510 FROM NO. 58300369	176442.0	1	AP1003641	4014486489033
23	DRUM DRIVE LEXION 530, 520, 510 FROM NO. 58300369	176442.1	1	AP1003641	4014486489033
25	FAN DRIVE	746506.0	4	AP1002784	4014486465716
26	SUCTION BLOWER	644781.0	1	AP1005209	4014486461350
27	FAN VARIATOR	667457.0	1	AP1001079	4014486498233
28	PRE - DRUM DRIVE	667251.1	1	AP1003601	4014486485219
29	HYDRAULIC REEL DRIVE	829094.0	1	AP1000245	4014486463712
30	STRAW WALKER DRIVE	667477.0	1	AP1000387	4014486466508
31	STRAW SPREADER	539443.0	1	no AP	
33	RADIATOR SCREEN 2ND STAGE	545689.0	1	AP1003332	4014486461886
34	AT MOTOR 3126B	796474.0	1	AP1003217	4014486482454
34	ENGINE C6.6	798820.0	1	AP1003158	4014486481204
35	AT MOTOR C6.6	580157.0	1	AP1003812	4014486481310
35	AT MOTOR C9	584627.1	1	AP1002652	4014486481259
35	FAN DRIVE AT MOTOR 3126B	796450.0	1	AP1003969	4014486480610
36	SUCTION BLOWER E - CHANNEL	765985.0	1	AP1002287	4014486479706
	DRUM VARIATOR FROM NO. 58300369	667248.1	1	AP1001317	4014486497908
	CUTTERBAR DRIVE, 2ND STAGE WITHOUT VARIABLE SPEED DRIVE	667454.1	2	AP1002870	4014486472981
	CUTTERBAR DRIVE, 3RD STAGE WITH VARIABLE SPEED DRIVE	667551.2	2	AP1000867	4014486473056
	CHOPPER DRIVE 1ST STAGE AT MOTOR 3126B AND C9 - EXHAUST LEVEL 3A	667958.1	1	AP1003598	4014486485073



CLAAS

NR.	DRIVE	PART NUMBER	SET	AP NR.	EAN
LEXION 530 MONTANA					
0	CLEANING, 1ST STAGE	644209.2	1	AP1004843	4014486715668
0	DRUM VARIATOR	667248.2	1	AP1001317	4014486497908
0	CUTTERBAR DRIVE 3RD STAGE WITH VARIABLE SPEED DRIVE	667551.0	2	AP1000867	4014486473056
0	CHOPPER DRIVE 1ST STAGE AT MOTOR 3126B, C9	667958.2	1	AP1003598	4014486485073
0	CHAFF SPREADER	746508.3	1	AP1000266	4014486464252
2	CUTTERBAR DRIVE 1ST STAGE	644892.0	1	AP1001860	4014486488968
3	THRESHING MECHANISM DRIVE P02/540/541/670/671	352371.1	1	AP1001982	4014486491012
3	THRESHING MECHANISM DRIVE P02/660/661 FROM NO. 58200137	352403.0	1	AP1001253	4014486492101
3	THRESHING MECHANISM DRIVE P02/590/591 P02/660/661	667453.0	1	AP1003350	4014486492095
4	GRAIN TANK UNLOADING	667250.0	1	AP1001586	4014486484960
5	CHOPPER DRIVE 1ST STAGE AT MOTOR C6.6	355696.0	1	AP1004835	4014486717099
5	CHOPPER DRIVE 1ST STAGE AT MOTOR 3126B, C9	667958.3	1	AP1001593	4014486485080
6	SIEVE PAN 2ND STAGE	667252.0	1	AP1003602	4014486485349
7	CHOPPER DRIVE 2ND STAGE	061700.1	1	AP1003356	4014486486131
8	CHOPPER DRIVE 3RD STAGE RIGID CHOPPER	628888.0	1	AP1001684	4014486486551
9	CUTTERBAR DRIVE 2ND STAGE WITHOUT VARIABLE SPEED DRIVE	667454.0	2	AP1002870	4014486472981
10	CUTTERBAR DRIVE 3RD STAGE WITH VARIABLE SPEED DRIVE	667551.1	2	AP1000867	4014486473056
11	SYNCHRONOUS DRIVE	667249.0	1	AP1003591	4014486484762
12	CUTTERBAR VARIATOR	667530.1	1	AP1001163	4014486497441
13	CHAFF SPREADER	746508.1	1	AP1000266	4014486464252
14	CLEANING, 3RD STAGE	667651.0	1	AP1001706	4014486486834
15	CLEANING, 1ST STAGE	644209.0	1	AP1000699	4014486470826
15	CLEANING, 1ST STAGE	644209.1	1	AP1004843	4014486715668
19	FINGER ROLLER	628991.0	1	AP1000433	4014486467000
22	DRUM VARIATOR	667248.0	1	AP1001317	4014486497908
23	DRUM DRIVE	176442.0	1	AP1003641	4014486489033
23	DRUM DRIVE	176442.1	1	AP1003641	4014486489033
25	FAN DRIVE	746506.0	4	AP1002784	4014486465716
26	SUCTION FAN	644781.0	1	AP1005209	4014486461350
27	FAN VARIATOR	667457.0	1	AP1001079	4014486498233
28	PRE - DRUM DRIVE	667251.1	1	AP1003601	4014486485219
29	HYDRAULIC REEL DRIVE	829094.0	1	AP1000245	4014486463712
30	STRAW WALKER DRIVE	667477.0	1	AP1000387	4014486466508
31	STRAW SPREADER	539443.0	1	no AP	
33	RADIATOR SCREEN 2ND STAGE	545689.0	1	AP1003332	4014486461886
34	AT MOTOR 3126B	796474.0	1	AP1003217	4014486482454
34	ENGINE C6.6	798820.0	1	AP1003158	4014486481204
35	AT MOTOR C6.6	580157.0	1	AP1003812	4014486481310
35	AT MOTOR C9	584627.1	1	AP1002652	4014486481259
35	FAN DRIVE AT MOTOR 3126B	796450.0	1	AP1003969	4014486480610
36	SUCTION BLOWER E - CHANNEL	765985.0	1	AP1002287	4014486479706
	DRUM VARIATOR	667248.1	1	AP1001317	4014486497908
	CUTTERBAR DRIVE 2ND STAGE WITHOUT VARIABLE SPEED DRIVE	667454.1	2	AP1002870	4014486472981
	CUTTERBAR DRIVE 3RD STAGE WITH VARIABLE SPEED DRIVE	667551.2	2	AP1000867	4014486473056
	CHOPPER DRIVE 1ST STAGE AT MOTOR 3126B, C9	667958.1	1	AP1003598	4014486485073



CLAAS

NR.	DRIVE	PART NUMBER	SET	AP NR.	EAN
LEXION 540					
0	CLEANING - 1ST STAGE	644209.2	1	AP1004843	4014486715668
0	DRUM DRIVE VARIABLE SPEED	667248.2	1	AP1001317	4014486497908
0	CUTTERBAR DRIVE - 3RD STAGE WITH VARIABLE SPEED	667551.0	2	AP1000867	4014486473056
0	CHOPPER DRIVE - 1ST STAGE AT MOTOR C13, C10, C9 AND 3126B	667958.2	1	AP1003598	4014486485073
0	CHAFF SPREADER DRIVE	746508.3	1	AP1000266	4014486464252
2	CUTTERBAR DRIVE - 1ST STAGE	644892.0	1	AP1001860	4014486488968
3	THRESHING MECHANISM ENGINE C9	352403.0	1	AP1001253	4014486492101
3	THRESHING MECHANISM ENGINE 3126B, C6.6	667453.0	1	AP1003350	4014486492095
3	THRESHING MECHANISM AT CATERPILLAR C13, C10	667881.0	1	AP1001320	4014486492828
4	DISCHARGE DRIVE GRAIN TANK	667250.0	1	AP1001586	4014486484960
5	CHOPPER DRIVE - 1ST STAGE AT MOTOR C6.6	355696.0	1	AP1004835	4014486717099
5	CHOPPER DRIVE - 1ST STAGE AT MOTOR C13, C10, C9 AND 3126B	667958.3	1	AP1001593	4014486485080
6	SIEVE PAN DRIVE - 2ND STAGE	667252.0	1	AP1003602	4014486485349
7	CHOPPER DRIVE - 2ND STAGE	061700.1	1	AP1003356	4014486486131
8	CHOPPER DRIVE - 3RD STAGE RIGID CHOPPER	628888.0	1	AP1001684	4014486486551
9	CUTTERBAR DRIVE - 2ND WITHOUT VARIABLE SPEED	667454.0	2	AP1002870	4014486472981
10	CUTTERBAR DRIVE - 3RD STAGE WITH VARIABLE SPEED	667551.1	2	AP1000867	4014486473056
11	SYNCHRONOUS DRIVE	667249.0	1	AP1003591	4014486484762
12	CUTTERBAR DRIVE WITH VARIABLE SPEED DRIVE	667530.1	1	AP1001163	4014486497441
13	CHAFF SPREADER DRIVE	746508.1	1	AP1000266	4014486464252
14	CLEANING - 3RD STAGE	667651.0	1	AP1001706	4014486486834
15	CLEANING - 1ST STAGE	644209.0	1	AP1000699	4014486470826
15	CLEANING - 1ST STAGE	644209.1	1	AP1004843	4014486715668
19	FINGER ROLLER	628991.0	1	AP1000433	4014486467000
22	DRUM DRIVE VARIABLE SPEED	667248.0	1	AP1001317	4014486497908
23	DRUM DRIVE	176442.0	1	AP1003641	4014486489033
23	DRUM DRIVE	176442.1	1	AP1003641	4014486489033
25	FAN DRIVE	746506.0	4	AP1002784	4014486465716
26	SUCTION FAN	644781.0	1	AP1005209	4014486461350
27	FAN DRIVE VARIABLE SPEED	667457.0	1	AP1001079	4014486498233
28	PRE-DRUM DRIVE	667251.1	1	AP1003601	4014486485219
29	HYDRAULIC REEL PUMP DRIVE	829094.0	1	AP1000245	4014486463712
30	STRAW WALKER DRIVE	667477.0	1	AP1000387	4014486466508
31	STRAW SPREADER DRIVE	539443.0	1	no AP	
33	RADIATOR SCREEN 2ND STAGE	545689.0	1	AP1003332	4014486461886
34	ENGINE 3126 B	796474.0	1	AP1003217	4014486482454
34	ENGINE C9 EMISSION STANDARD 2	796786.0	1	AP1003220	4014486482478
35	FAN DRIVE AT MOTOR C6.6	580157.0	1	AP1003812	4014486481310
35	FAN DRIVE C9-EXHAUST LEVEL 3A	584627.1	1	AP1002652	4014486481259
35	FAN DRIVE - ENGINE C10, C13 (FROM NR. 58401487)	628964.1	1	AP1002687	4014486482850
35	FAN DRIVE (UP TO NR. 58401486)	743910.1	1	AP1003202	4014486482041
35	FAN DRIVE - ENGINE 3126B AND AT C9-EMISSION STANDARD	796450.0	1	AP1003969	4014486480610
36	SUCTION BLOWER E-CHANNEL	765985.0	1	AP1002287	4014486479706
	DRUM DRIVE VARIABLE SPEED	667248.1	1	AP1001317	4014486497908
	CUTTERBAR DRIVE - 2ND WITHOUT VARIABLE SPEED	667454.1	2	AP1002870	4014486472981
	CUTTERBAR DRIVE - 3RD STAGE WITH VARIABLE SPEED	667551.2	2	AP1000867	4014486473056
	CHOPPER DRIVE - 1ST STAGE AT MOTOR C13, C10, C9 AND 3126B	667958.1	1	AP1003598	4014486485073
LEXION 550 MONTANA					
0	CLEANING - 1ST STAGE	644209.2	1	AP1004843	4014486715668
0	DRUM VARIATOR	667248.2	1	AP1001317	4014486497908
0	CUTTERBAR DRIVE 3RD STAGE WITH VARIABLE SPEED DRIVE	667551.0	2	AP1000867	4014486473056
0	CHOPPER DRIVE 1ST STAGE	667958.2	1	AP1003598	4014486485073
0	CHAFF SPREADER	746508.3	1	AP1000266	4014486464252
2	CUTTERBAR DRIVE 1ST STAGE	644892.0	1	AP1001860	4014486488968



CLAAS

NR.	DRIVE	PART NUMBER	SET	AP NR.	EAN
3	THRESHING MECHANISM DRIVE ENGINE C9	352403.0	1	AP1001253	4014486492101
3	THRESHING MECHANISM DRIVE ENGINE C10	667881.0	1	AP1001320	4014486492828
4	GRAIN TANK UNLOADING	667250.0	1	AP1001586	4014486484960
5	CHOPPER DRIVE 1ST STAGE	667958.3	1	AP1001593	4014486485080
6	SIEVE PAN 2ND STAGE	667252.0	1	AP1003602	4014486485349
7	CHOPPER DRIVE 2ND STAGE	061700.1	1	AP1003356	4014486486131
8	CHOPPER DRIVE 3RD STAGE RIGID CHOPPER	628888.0	1	AP1001684	4014486486551
9	CUTTERBAR DRIVE 2ND STAGE WITHOUT VARIABLE SPEED DRIVE	667454.0	2	AP1002870	4014486472981
10	CUTTERBAR DRIVE 3RD STAGE WITH VARIABLE SPEED DRIVE	667551.1	2	AP1000867	4014486473056
11	SYNCHRONOUS DRIVE	667249.0	1	AP1003591	4014486484762
12	CUTTERBAR VARIATOR	667530.1	1	AP1001163	4014486497441
13	CHAFF SPREADER	746508.1	1	AP1000266	4014486464252
14	CLEANING 3RD STAGE	667651.0	1	AP1001706	4014486486834
15	CLEANING - 1ST STAGE	644209.0	1	AP1000699	4014486470826
15	CLEANING - 1ST STAGE	644209.1	1	AP1004843	4014486715668
19	FINGER ROLLER	628991.0	1	AP1000433	4014486467000
22	DRUM VARIATOR	667248.0	1	AP1001317	4014486497908
23	DRUM DRIVE	176442.0	1	AP1003641	4014486489033
23	DRUM DRIVE	176442.1	1	AP1003641	4014486489033
25	FAN DRIVE	746506.0	4	AP1002784	4014486465716
26	SUCTION FAN	644781.0	1	AP1005209	4014486461350
27	FAN VARIATOR	667457.0	1	AP1001079	4014486498233
28	PRE - DRUM DRIVE	667251.1	1	AP1003601	4014486485219
29	HYDRAULIC REEL DRIVE	829094.0	1	AP1000245	4014486463712
30	STRAW WALKER DRIVE	667477.0	1	AP1000387	4014486466508
31	STRAW SPREADER	539443.0	1	no AP	
33	RADIATOR SCREEN 2ND STAGE	545689.0	1	AP1003332	4014486461886
34	ENGINE C9	796786.0	1	AP1003220	4014486482478
35	FAN DRIVE C9 EXHAUST LEVEL 3A	584627.1	1	AP1002652	4014486481259
35	FAN DRIVE ENGINE C10 FROM NO. 58000036	628964.1	1	AP1002687	4014486482850
35	FAN DRIVE ENGINE C10 TO NO. 58000035	743910.1	1	AP1003202	4014486482041
35	FAN DRIVE C9 EMISSION STANDARD 2	796450.0	1	AP1003969	4014486480610
36	SUCTION BLOWER E - CHANNEL	765985.0	1	AP1002287	4014486479706
	DRUM VARIATOR	667248.1	1	AP1001317	4014486497908
	CUTTERBAR DRIVE 2ND STAGE WITHOUT VARIABLE SPEED DRIVE	667454.1	2	AP1002870	4014486472981
	CUTTERBAR DRIVE 3RD STAGE WITH VARIABLE SPEED DRIVE	667551.2	2	AP1000867	4014486473056
	CHOPPER DRIVE 1ST STAGE	667958.1	1	AP1003598	4014486485073

LEXION 560

0	CLEANING - 1ST STAGE	644209.2	1	AP1004843	4014486715668
0	DRUM DRIVE VARIABLE SPEED	667248.2	1	AP1001317	4014486497908
0	CUTTERBAR DRIVE - 3RD STAGE WITH VARIABLE SPEED	667551.0	2	AP1000867	4014486473056
0	CHOPPER DRIVE - 1ST STAGE AT MOTOR C13, C10, C9 AND 3126B	667958.2	1	AP1003598	4014486485073
0	CHAFF SPREADER DRIVE	746508.3	1	AP1000266	4014486464252
2	CUTTERBAR DRIVE - 1ST STAGE	644892.0	1	AP1001860	4014486488968
3	THRESHING MECHANISM ENGINE C9	352403.0	1	AP1001253	4014486492101
3	THRESHING MECHANISM ENGINE 3126B, C6.6	667453.0	1	AP1003350	4014486492095
3	THRESHING MECHANISM AT CATERPILLAR C13, C10	667881.0	1	AP1001320	4014486492828
4	DISCHARGE DRIVE GRAIN TANK	667250.0	1	AP1001586	4014486484960
5	CHOPPER DRIVE - 1ST STAGE AT MOTOR C6.6	355696.0	1	AP1004835	4014486717099
5	CHOPPER DRIVE - 1ST STAGE AT MOTOR C13, C10, C9 AND 3126B	667958.3	1	AP1001593	4014486485080
6	SIEVE PAN DRIVE - 2ND STAGE	667252.0	1	AP1003602	4014486485349
7	CHOPPER DRIVE - 2ND STAGE	061700.1	1	AP1003356	4014486486131
8	CHOPPER DRIVE - 3RD STAGE RIGID CHOPPER	628888.0	1	AP1001684	4014486486551
9	CUTTERBAR DRIVE - 2ND WITHOUT VARIABLE SPEED	667454.0	2	AP1002870	4014486472981
10	CUTTERBAR DRIVE - 3RD STAGE WITH VARIABLE SPEED	667551.1	2	AP1000867	4014486473056
11	SYNCHRONOUS DRIVE	667249.0	1	AP1003591	4014486484762



CLAAS

NR.	DRIVE	PART NUMBER	SET	AP NR.	EAN
12	CUTTERBAR DRIVE WITH VARIABLE SPEED DRIVE	667530.1	1	AP1001163	4014486497441
13	CHAFF SPREADER DRIVE	746508.1	1	AP1000266	4014486464252
14	CLEANING - 3RD STAGE	667651.0	1	AP1001706	4014486486834
15	CLEANING - 1ST STAGE	644209.0	1	AP1000699	4014486470826
15	CLEANING - 1ST STAGE	644209.1	1	AP1004843	4014486715668
19	FINGER ROLLER	628991.0	1	AP1000433	4014486467000
22	DRUM DRIVE VARIABLE SPEED	667248.0	1	AP1001317	4014486497908
23	DRUM DRIVE	176442.0	1	AP1003641	4014486489033
23	DRUM DRIVE	176442.1	1	AP1003641	4014486489033
25	FAN DRIVE	746506.0	4	AP1002784	4014486465716
26	SUCTION FAN	644781.0	1	AP1005209	4014486461350
27	FAN DRIVE VARIABLE SPEED	667457.0	1	AP1001079	4014486498233
28	PRE-DRUM DRIVE	667251.1	1	AP1003601	4014486485219
29	HYDRAULIC REEL PUMP DRIVE	829094.0	1	AP1000245	4014486463712
30	STRAW WALKER DRIVE	667477.0	1	AP1000387	4014486466508
31	STRAW SPREADER DRIVE	539443.0	1	no AP	
33	RADIATOR SCREEN 2ND STAGE	545689.0	1	AP1003332	4014486461886
34	ENGINE 3126 B	796474.0	1	AP1003217	4014486482454
34	ENGINE C9 EMISSION STANDARD 2	796786.0	1	AP1003220	4014486482478
35	FAN DRIVE AT MOTOR C6.6	580157.0	1	AP1003812	4014486481310
35	FAN DRIVE C9-EXHAUST LEVEL 3A	584627.1	1	AP1002652	4014486481259
35	FAN DRIVE - ENGINE C10, C13 (FROM NR. 58401487)	628964.1	1	AP1002687	4014486482850
35	FAN DRIVE (UP TO NR. 58401486)	743910.1	1	AP1003202	4014486482041
35	FAN DRIVE - ENGINE 3126B AND AT C9-EMISSION STANDARD	796450.0	1	AP1003969	4014486480610
36	SUCTION BLOWER E.-CHANNEL	765985.0	1	AP1002287	4014486479706
	DRUM DRIVE VARIABLE SPEED	667248.1	1	AP1001317	4014486497908
	CUTTERBAR DRIVE - 2ND WITHOUT VARIABLE SPEED	667454.1	2	AP1002870	4014486472981
	CUTTERBAR DRIVE - 3RD STAGE WITH VARIABLE SPEED	667551.2	2	AP1000867	4014486473056
	CHOPPER DRIVE - 1ST STAGE AT MOTOR C13, C10, C9 AND 3126B	667958.1	1	AP1003598	4014486485073

LEXION 560 MONTANA

0	CLEANING - 1ST STAGE	644209.2	1	AP1004843	4014486715668
0	DRUM VARIATOR	667248.2	1	AP1001317	4014486497908
0	CUTTERBAR DRIVE 3RD STAGE WITH VARIABLE SPEED DRIVE	667551.0	2	AP1000867	4014486473056
0	CHOPPER DRIVE 1ST STAGE	667958.2	1	AP1003598	4014486485073
0	CHAFF SPREADER	746508.3	1	AP1000266	4014486464252
2	CUTTERBAR DRIVE 1ST STAGE	644892.0	1	AP1001860	4014486488968
3	THRESHING MECHANISM DRIVE ENGINE C9	352403.0	1	AP1001253	4014486492101
3	THRESHING MECHANISM DRIVE ENGINE C10	667881.0	1	AP1001320	4014486492828
4	GRAIN TANK UNLOADING	667250.0	1	AP1001586	4014486484960
5	CHOPPER DRIVE 1ST STAGE	667958.3	1	AP1001593	4014486485080
6	SIEVE PAN 2ND STAGE	667252.0	1	AP1003602	4014486485349
7	CHOPPER DRIVE 2ND STAGE	061700.1	1	AP1003356	4014486486131
8	CHOPPER DRIVE 3RD STAGE RIGID CHOPPER	628888.0	1	AP1001684	4014486486551
9	CUTTERBAR DRIVE 2ND STAGE WITHOUT VARIABLE SPEED DRIVE	667454.0	2	AP1002870	4014486472981
10	CUTTERBAR DRIVE 3RD STAGE WITH VARIABLE SPEED DRIVE	667551.1	2	AP1000867	4014486473056
11	SYNCHRONOUS DRIVE	667249.0	1	AP1003591	4014486484762
12	CUTTERBAR VARIATOR	667530.1	1	AP1001163	4014486497441
13	CHAFF SPREADER	746508.1	1	AP1000266	4014486464252
14	CLEANING 3RD STAGE	667651.0	1	AP1001706	4014486486834
15	CLEANING - 1ST STAGE	644209.0	1	AP1000699	4014486470826
15	CLEANING - 1ST STAGE	644209.1	1	AP1004843	4014486715668
19	FINGER ROLLER	628991.0	1	AP1000433	4014486467000
22	DRUM VARIATOR	667248.0	1	AP1001317	4014486497908
23	DRUM DRIVE	176442.0	1	AP1003641	4014486489033
23	DRUM DRIVE	176442.1	1	AP1003641	4014486489033
25	FAN DRIVE	746506.0	4	AP1002784	4014486465716



CLAAS

NR.	DRIVE	PART NUMBER	SET	AP NR.	EAN
26	SUCTION FAN	644781.0	1	AP1005209	4014486461350
27	FAN VARIATOR	667457.0	1	AP1001079	4014486498233
28	PRE - DRUM DRIVE	667251.1	1	AP1003601	4014486485219
29	HYDRAULIC REEL DRIVE	829094.0	1	AP1000245	4014486463712
30	STRAW WALKER DRIVE	667477.0	1	AP1000387	4014486466508
31	STRAW SPREADER	539443.0	1	no AP	
33	RADIATOR SCREEN 2ND STAGE	545689.0	1	AP1003332	4014486461886
34	ENGINE C9	796786.0	1	AP1003220	4014486482478
35	FAN DRIVE C9 EXHAUST LEVEL 3A	584627.1	1	AP1002652	4014486481259
35	FAN DRIVE ENGINE C10 FROM NO. 58000036	628964.1	1	AP1002687	4014486482850
35	FAN DRIVE ENGINE C10 TO NO. 58000035	743910.1	1	AP1003202	4014486482041
35	FAN DRIVE C9 EMISSION STANDARD 2	796450.0	1	AP1003969	4014486480610
36	SUCTION BLOWER E - CHANNEL	765985.0	1	AP1002287	4014486479706
	DRUM VARIATOR	667248.1	1	AP1001317	4014486497908
	CUTTERBAR DRIVE 2ND STAGE WITHOUT VARIABLE SPEED DRIVE	667454.1	2	AP1002870	4014486472981
	CUTTERBAR DRIVE 3RD STAGE WITH VARIABLE SPEED DRIVE	667551.2	2	AP1000867	4014486473056
	CHOPPER DRIVE 1ST STAGE	667958.1	1	AP1003598	4014486485073
LEXION 570					
0	CLEANING - 1ST STAGE	644209.2	1	AP1004843	4014486715668
0	DRUM DRIVE VARIABLE SPEED	667248.2	1	AP1001317	4014486497908
0	HYBRID VARIABLE SPEED DRIVE (UP TO NR. 58500162)	667248.2	1	AP1001317	4014486497908
0	CUTTERBAR DRIVE - 3RD STAGE WITH VARIABLE SPEED	667551.0	2	AP1000867	4014486473056
0	CHOPPER DRIVE - 1ST STAGE	667958.2	1	AP1003598	4014486485073
0	CHAFF SPREADER DRIVE	746508.3	1	AP1000266	4014486464252
2	CUTTERBAR DRIVE - 1ST STAGE	644892.0	1	AP1001860	4014486488968
3	THRESHING MECHANISM DRIVE	667452.1	1	AP1001302	4014486492606
4	DISCHARGE DRIVE GRAIN TANK	667250.0	1	AP1001586	4014486484960
5	CHOPPER DRIVE - 1ST STAGE	667958.3	1	AP1001593	4014486485080
6	SIEVE PAN DRIVE - 2ND STAGE (FROM NR. 58500163-58500093-107)	644902.0	1	AP1001639	4014486485905
6	TO NR. 58500092 -NR. 58500108-162	667252.0	1	AP1003602	4014486485349
7	CHOPPER DRIVE - 2ND STAGE	061700.1	1	AP1003356	4014486486131
8	CHOPPER DRIVE - 3RD STAGE	628978.0	1	AP1001670	4014486486346
9	CUTTERBAR DRIVE - 2ND STAGE WITHOUT VARIABLE SPEED	667454.0	2	AP1002870	4014486472981
10	CUTTERBAR DRIVE - 3RD STAGE WITH VARIABLE SPEED	667551.1	2	AP1000867	4014486473056
11	SYNCHRONOUS DRIVE	667249.0	1	AP1003591	4014486484762
12	CUTTERBAR DRIVE WITH VARIABLE SPEED DRIVE	667530.1	1	AP1001163	4014486497441
13	CHAFF SPREADER DRIVE	746508.1	1	AP1000266	4014486464252
14	CLEANING (TO NR. 58500092 -NR. 58500108-162)	667651.0	1	AP1001706	4014486486834
14	CLEANING - 3RD STAGE (FROM NR. 58500163-58500093-107)	756466.0	1	AP1003613	4014486486384
15	CLEANING - 1ST STAGE	644209.0	1	AP1000699	4014486470826
15	CLEANING - 1ST STAGE	644209.1	1	AP1004843	4014486715668
16	HYBRID DRIVE - 2ND STAGE (FROM NR. 58500163)	628792.0	1	AP1001834	4014486488586
16	HYBRID DRIVE - 2ND STAGE (UP TO NR. 58500162)	749895.0	1	AP1001828	4014486488494
17	HYBRID DRIVE - 1ST STAGE	749886.1	1	AP1001928	4014486489972
22	DRUM DRIVE VARIABLE SPEED	667248.0	1	AP1001317	4014486497908
23	DRUM DRIVE	176442.0	1	AP1003641	4014486489033
23	DRUM DRIVE	176442.1	1	AP1003641	4014486489033
25	FAN DRIVE (FROM NR. 58500163-NR. 58500093-107)	667957.0	1	AP1000320	4014486465396
25	FAN DRIVE (TO NR. 58500092 -NR. 58500108-162)	746506.0	4	AP1002784	4014486465716
26	SUCTION BLOWER (TO NR. 58500092 -NR. 58500108-162)	644781.0	1	AP1005209	4014486461350
26	SUCTION BLOWER (FROM NR. 58500163-NR. 58500093-107)	667367.0	1	AP1002582	4014486495638
27	FAN DRIVE VARIABLE SPEED (TO NR. 58100092 - NR. 58500108-162)	667457.0	1	AP1001079	4014486498233
27	FAN DRIVE VARIABLE SPEED (FROM NR. 58500163-NR. 58500093-107)	744785.0	1	AP1000326	4014486465525
28	PRE-DRUM DRIVE	667251.1	1	AP1003601	4014486485219
29	HYDRAULIC REEL PUMP DRIVE	829094.0	1	AP1000245	4014486463712
30	STRAW SPREADER DRIVE	539443.0	1	no AP	



CLAAS

NR.	DRIVE	PART NUMBER	SET	AP NR.	EAN
31	HYBRID VARIABLE SPEED DRIVE (UP TO NR. 58500162)	667248.0	1	AP1001317	4014486497908
31	HYBRID DRIVE - 2ND STAGE (FROM NR. 58500163)	744965.0	1	AP1004897	4014486758740
32	RADIATOR SCREEN 2ND STAGE	545689.0	1	AP1003332	4014486461886
34	FAN DRIVE (FROM NR. 58500253)	628964.1	1	AP1002687	4014486482850
34	FAN DRIVE (UP TO NR. 58500252)	743910.1	1	AP1003202	4014486482041
35	SUCTION BLOWER E.-CHANNEL	765985.0	1	AP1002287	4014486479706
36	FROM NR. 58500163-NR. 58500093-107	628847.1	1	AP1001213	4014486497724
	DRUM DRIVE VARIABLE SPEED	667248.1	1	AP1001317	4014486497908
	HYBRID VARIABLE SPEED DRIVE (UP TO NR. 58500162)	667248.1	1	AP1001317	4014486497908
	CUTTERBAR DRIVE - 2ND STAGE WITHOUT VARIABLE SPEED	667454.1	2	AP1002870	4014486472981
	CUTTERBAR DRIVE - 3RD STAGE WITH VARIABLE SPEED	667551.2	2	AP1000867	4014486473056
	CHOPPER DRIVE - 1ST STAGE	667958.1	1	AP1003598	4014486485073

LEXION 570 MONTANA

0	CLEANING - 1ST STAGE	644209.2	1	AP1004843	4014486715668
0	DRUM VARIATOR	667248.2	1	AP1001317	4014486497908
0	FROM NO. 58100038	667248.2	1	AP1001317	4014486497908
0	CUTTERBAR DRIVE 3RD STAGE WITH VARIABLE SPEED DRIVE	667551.0	2	AP1000867	4014486473056
0	CHOPPER DRIVE 1ST STAGE	667958.2	1	AP1003598	4014486485073
0	CHAFF SPREADER	746508.3	1	AP1000266	4014486464252
2	CUTTERBAR DRIVE, 1ST STAGE	644892.0	1	AP1001860	4014486488968
3	THRESHING MECHANISM DRIVE	667452.1	1	AP1001302	4014486492606
4	GRAIN TANK UNLOADING	667250.0	1	AP1001586	4014486484960
5	CHOPPER DRIVE 1ST STAGE	667958.3	1	AP1001593	4014486485080
6	SIEVE PAN 2ND STAGE FROM NO. 58100038	644902.0	1	AP1001639	4014486485905
6	TO NO. 58100037	667252.0	1	AP1003602	4014486485349
7	CHOPPER DRIVE 2ND STAGE TO NO. 58100186	061700.1	1	AP1003356	4014486486131
7	CHOPPER DRIVE 2ND STAGE FROM NO. 58100187	644889.0	1	AP1001658	4014486486148
8	CHOPPER DRIVE 3RD STAGE	628978.0	1	AP1001670	4014486486346
9	CUTTERBAR DRIVE 2ND STAGE WITHOUT VARIABLE SPEED DRIVE	667454.0	2	AP1002870	4014486472981
10	CUTTERBAR DRIVE 3RD STAGE WITH VARIABLE SPEED DRIVE	667551.1	2	AP1000867	4014486473056
11	SYNCHRONOUS DRIVE	667249.0	1	AP1003591	4014486484762
12	CUTTERBAR VARIATOR	667530.1	1	AP1001163	4014486497441
13	CHAFF SPREADER	746508.1	1	AP1000266	4014486464252
14	TO NO. 58100037	667651.0	1	AP1001706	4014486486834
14	CLEANING, 3RD STAGE FROM NO. 58100038	756466.0	1	AP1003613	4014486486384
15	CLEANING - 1ST STAGE	644209.0	1	AP1000699	4014486470826
15	CLEANING - 1ST STAGE	644209.1	1	AP1004843	4014486715668
16	HYBRID DRIVE 2ND STAGE FROM NO. 58100038	628792.0	1	AP1001834	4014486488586
16	HYBRID DRIVE 2ND STAGE TO NO. 58100037	749895.0	1	AP1001828	4014486488494
17	HYBRID DRIVE 1ST FROM NO. 58100038	644961.0	1	AP1001930	4014486490008
17	TO NO. 58100037	749886.1	1	AP1001928	4014486489972
22	DRUM VARIATOR	667248.0	1	AP1001317	4014486497908
23	DRUM DRIVE	176442.0	1	AP1003641	4014486489033
23	DRUM DRIVE	176442.1	1	AP1003641	4014486489033
25	FAN DRIVE FROM NO. 58100038	667957.0	1	AP1000320	4014486465396
25	TO NO. 58100037	746506.0	4	AP1002784	4014486465716
26	TO NO. 58100037	644781.0	1	AP1005209	4014486461350
26	SUCTION BLOWER FROM NO. 58100038	667367.0	1	AP1002582	4014486495638
27	TO NO. 58100037	667457.0	1	AP1001079	4014486498233
27	FAN VARIATOR FROM NO. 58100038	744785.0	1	AP1000326	4014486465525
28	PRE - DRUM DRIVE	667251.1	1	AP1003601	4014486485219
29	HYDRAULIC REEL DRIVE	829094.0	1	AP1000245	4014486463712
30	STRAW SPREADER	539443.0	1	no AP	
31	FROM NO. 58100038	667248.0	1	AP1001317	4014486497908
31	HYBRID DRIVE 2ND STAGE	744965.0	1	AP1004897	4014486758740
32	HYBRID VARIABLE SPEED DRIVE TO NO. 58100037	545689.0	1	AP1003332	4014486461886



CLAAS

NR.	DRIVE	PART NUMBER	SET	AP NR.	EAN
34	RADIATOR SCREEN 2ND STAGE	628964.1	1	AP1002687	4014486482850
34	FAN DRIVE FROM NO. 58100038	743910.1	1	AP1003202	4014486482041
35	FAN DRIVE TO NO. 58100037	765985.0	1	AP1002287	4014486479706
36	SUCTION BLOWER E - CHANNEL FROM NO. 58100038	628847.1	1	AP1001213	4014486497724
	DRUM VARIATOR	667248.1	1	AP1001317	4014486497908
	FROM NO. 58100038	667248.1	1	AP1001317	4014486497908
	CUTTERBAR DRIVE 2ND STAGE WITHOUT VARIABLE SPEED DRIVE	667454.1	2	AP1002870	4014486472981
	CUTTERBAR DRIVE 3RD STAGE WITH VARIABLE SPEED DRIVE	667551.2	2	AP1000867	4014486473056
	CHOPPER DRIVE 1ST STAGE	667958.1	1	AP1003598	4014486485073
LEXION 580					
0	CLEANING - 1ST STAGE	644209.2	1	AP1004843	4014486715668
0	DRUM DRIVE VARIABLE SPEED	667248.2	1	AP1001317	4014486497908
0	HYBRID VARIABLE SPEED DRIVE (UP TO NR. 58600056)	667248.2	1	AP1001317	4014486497908
0	CUTTERBAR DRIVE - 3RD STAGE WITH VARIABLE SPEED	667551.0	2	AP1000867	4014486473056
0	DISCHARGE DRIVE GRAIN TANK	667981.0	1	AP1001589	4014486485011
0	AT CHAFF-, STRAW- AND RADIAL SPREADER	746508.3	1	AP1000266	4014486464252
2	CUTTERBAR DRIVE - 1ST STAGE	644892.0	1	AP1001860	4014486488968
3	THRESHING MECHANISM DRIVE	644884.0	1	AP1001321	4014486492835
4	DISCHARGE DRIVE GRAIN TANK	667981.2	1	AP1001588	4014486484991
5	CHOPPER DRIVE - 1ST STAGE	644885.0	1	AP1001825	4014486488456
6	SIEVE PAN DRIVE - 2ND STAGE	667252.0	1	AP1003602	4014486485349
7	CHOPPER DRIVE - 2ND STAGE	644889.0	1	AP1001658	4014486486148
8	CHOPPER DRIVE - 3RD STAGE ONLY FOR RICE	628978.0	1	AP1001670	4014486486346
8	STRENGTHENED DRIVE	644890.0	1	AP1001664	4014486486247
9	CUTTERBAR DRIVE - 2ND STAGE WITHOUT VARIABLE SPEED	667454.0	2	AP1002870	4014486472981
10	CUTTERBAR DRIVE - 3RD STAGE WITH VARIABLE SPEED	667551.1	2	AP1000867	4014486473056
11	SYNCHRONOUS DRIVE	667249.0	1	AP1003591	4014486484762
12	CUTTERBAR DRIVE WITH VARIABLE SPEED DRIVE	667530.1	1	AP1001163	4014486497441
13	AT SPREADER FAN	233843.1	1	AP1000237	4014486463408
13	AT CHAFF-, STRAW- AND RADIAL SPREADER	746508.1	1	AP1000266	4014486464252
14	CLEANING - 3RD STAGE	644866.0	1	AP1003618	4014486486865
15	CLEANING - 1ST STAGE	644209.0	1	AP1000699	4014486470826
15	CLEANING - 1ST STAGE	644209.1	1	AP1004843	4014486715668
16	HYBRID DRIVE - 2ND STAGE (FROM NR. 58600057)	628792.0	1	AP1001834	4014486488586
16	HYBRID DRIVE - 2ND STAGE (UP TO NR. 58600056)	749895.0	1	AP1001828	4014486488494
17	HYBRID DRIVE - 1ST STAGE	749886.1	1	AP1001928	4014486489972
18	RADIATOR SCREEN 2ND STAGE	545689.0	1	AP1003332	4014486461886
19	FAN DRIVE	628964.1	1	AP1002687	4014486482850
20	ENGINE	744873.0	1	AP1001338	4014486483543
22	DRUM DRIVE VARIABLE SPEED	667248.0	1	AP1001317	4014486497908
23	DRUM DRIVE	644965.0	1	AP1003641	4014486489033
25	FAN DRIVE	746506.0	4	AP1002784	4014486465716
26	SUCTION FAN	644781.0	1	AP1005209	4014486461350
27	FAN DRIVE VARIABLE SPEED	667457.0	1	AP1001079	4014486498233
28	PRE-DRUM DRIVE	667251.1	1	AP1003601	4014486485219
29	HYDRAULIC REEL PUMP DRIVE	829094.0	1	AP1000245	4014486463712
30	STRAW SPREADER DRIVE	539443.0	1	no AP	
31	HYBRID VARIABLE SPEED DRIVE (UP TO NR. 58600056)	667248.0	1	AP1001317	4014486497908
31	HYBRID VARIABLE SPEED DRIVE (FROM NR. 58600057)	744965.0	1	AP1004897	4014486758740
32	SPREADER FAN - 2ND STAGE	667891.1	1	AP1001012	4014486487947
33	SPREADER FAN - 1ST STAGE (FROM NR. 58600862)	644893.0	1	AP1003602	4014486485349
33	SPREADER FAN - 1ST STAGE (TO NR. 58600861)	644942.0	1	AP1001385	4014486475012
34	SUCTION BLOWER E.-CHANNEL	765985.0	1	AP1002287	4014486479706
35	FEEDER BASE	661425.0	1	AP1000357	4014486466140
36	FEEDER BASE	758719.0	1	AP1003405	4014486463309
	DRUM DRIVE VARIABLE SPEED	667248.1	1	AP1001317	4014486497908



CLAAS

NR.	DRIVE	PART NUMBER	SET	AP NR.	EAN
	HYBRID VARIABLE SPEED DRIVE (UP TO NR. 58600056)	667248.1	1	AP1001317	4014486497908
	CUTTERBAR DRIVE - 2ND STAGE WITHOUT VARIABLE SPEED	667454.1	2	AP1002870	4014486472981
	CUTTERBAR DRIVE - 3RD STAGE WITH VARIABLE SPEED	667551.2	2	AP1000867	4014486473056
	DISCHARGE DRIVE GRAIN TANK	667981.1	1	AP1001589	4014486485011

LEXION 580 R AUSTRALIA

0	CLEANING - 1ST STAGE	644209.2	1	AP1004843	4014486715668
0	DRUM VARIATOR	667248.2	1	AP1001317	4014486497908
0	CUTTERBAR DRIVE 3RD STAGE WITH VARIABLE SPEED DRIVE	667551.0	2	AP1000867	4014486473056
0	CHOPPER DRIVE 1ST STAGE	667958.2	1	AP1003598	4014486485073
0	CHAFF SPREADER	746508.3	1	AP1000266	4014486464252
2	CUTTERBAR DRIVE, 1ST STAGE	644892.0	1	AP1001860	4014486488968
3	THRESHING MECHANISM DRIVE	667452.1	1	AP1001302	4014486492606
4	GRAIN TANK UNLOADING	667250.0	1	AP1001586	4014486484960
5	CHOPPER DRIVE 1ST STAGE	667958.3	1	AP1001593	4014486485080
6	SIEVE PAN 2ND STAGE	644902.0	1	AP1001639	4014486485905
7	CHOPPER DRIVE 2ND STAGE	644890.0	1	AP1001664	4014486486247
8	CHOPPER DRIVE 3RD STAGE	355658.0	1	AP1001672	4014486486360
9	CUTTERBAR DRIVE 2ND STAGE WITHOUT VARIABLE SPEED DRIVE	667454.0	2	AP1002870	4014486472981
10	CUTTERBAR DRIVE 3RD STAGE WITH VARIABLE SPEED DRIVE	667551.1	2	AP1000867	4014486473056
11	SYNCHRONOUS DRIVE	667249.0	1	AP1003591	4014486484762
12	CUTTERBAR VARIATOR	667530.1	1	AP1001163	4014486497441
13	CHAFF SPREADER	746508.1	1	AP1000266	4014486464252
14	CLEANING 3RD STAGE	756466.0	1	AP1003613	4014486486384
15	CLEANING - 1ST STAGE	644209.0	1	AP1000699	4014486470826
15	CLEANING - 1ST STAGE	644209.1	1	AP1004843	4014486715668
16	HYBRID DRIVE 2ND STAGE	628792.0	1	AP1001834	4014486488586
17	HYBRID DRIVE 1ST STAGE	644961.0	1	AP1001930	4014486490008
22	DRUM VARIATOR	667248.0	1	AP1001317	4014486497908
23	DRUM DRIVE	176442.0	1	AP1003641	4014486489033
23	DRUM DRIVE	176442.1	1	AP1003641	4014486489033
25	FAN DRIVE 1ST STAGE	667957.0	1	AP1000320	4014486465396
26	SUCTION FAN	667367.0	1	AP1002582	4014486495638
27	FAN DRIVE 3RD STAGE	744785.0	1	AP1000326	4014486465525
28	PRE - DRUM DRIVE	667251.1	1	AP1003601	4014486485219
29	HYDRAULIC REEL DRIVE	829094.0	1	AP1000245	4014486463712
30	STRAW SPREADER	539443.0	1	no AP	
31	HYBRID DRIVE, 2ND STAGE	744965.0	1	AP1004897	4014486758740
32	RADIATOR SCREEN 2ND STAGE	545689.0	1	AP1003332	4014486461886
34	FAN DRIVE	628964.1	1	AP1002687	4014486482850
35	SUCTION BLOWER E - CHANNEL	765985.0	1	AP1002287	4014486479706
36	FAN VARIABLE SPEED DRIVE 2ND STAGE	628847.1	1	AP1001213	4014486497724
	DRUM VARIATOR	667248.1	1	AP1001317	4014486497908
	CUTTERBAR DRIVE 2ND STAGE WITHOUT VARIABLE SPEED DRIVE	667454.1	2	AP1002870	4014486472981
	CUTTERBAR DRIVE 3RD STAGE WITH VARIABLE SPEED DRIVE	667551.2	2	AP1000867	4014486473056
	CHOPPER DRIVE 1ST STAGE	667958.1	1	AP1003598	4014486485073

LEXION 600

0	SIEVE PAN DRIVE - 1ST STAGE	644209.2	1	AP1004843	4014486715668
0	DISCHARGE DRIVE GRAIN TANK - 1ST STAGE	667981.0	1	AP1001589	4014486485011
0	SUCTION FAN	744874.1	1	AP1004797	4014486719451
0	AT CHAFF-, STRAW- AND RADIAL SPREADER	746508.3	1	AP1000266	4014486464252
1	SUCTION BLOWER E.-CHANNEL	765985.0	1	AP1002287	4014486479706
2	CUTTERBAR DRIVE - 2ND STAGE WITHOUT VARIABLE SPEED	628579.0	3	AP1000862	4014486472998
3	CUTTERBAR DRIVE - 3RD STAGE WITH VARIABLE SPEED	628779.0	3	AP1002871	4014486473063
4	CUTTERBAR DRIVE - 2ND STAGE WITH VARIABLE SPEED	744870.0	1	no AP	
5	IMPELLER DRUM DRIVE	667249.0	1	AP1003591	4014486484762



CLAAS

NR.	DRIVE	PART NUMBER	SET	AP NR.	EAN
6	HYDRAULIC REEL PUMP DRIVE	829094.0	1	AP1000245	4014486463712
7	CUTTERBAR DRIVE - 1ST STAGE B06 / 10 - STANDARD	644892.0	1	AP1001860	4014486488968
7	CUTTERBAR DRIVE - 1ST STAGE B06 / 20 - VARIATOR	749859.0	1	AP1001974	4014486490916
8	AT CHAFF-, STRAW- AND RADIAL SPREADER	746508.1	1	AP1000266	4014486464252
9	THRESHING MECHANISM DRIVE	644884.0	1	AP1001321	4014486492835
10	DISCHARGE DRIVE GRAIN TANK - 1ST STAGE	667981.2	1	AP1001588	4014486484991
12	CHOPPER DRIVE - 1ST STAGE	644885.0	1	AP1001825	4014486488456
13	CHOPPER DRIVE - 2ND STAGE	644889.0	1	AP1001658	4014486486148
14	CHOPPER DRIVE - 3RD STAGE ONLY FOR RICE	628978.0	1	AP1001670	4014486486346
17	STRAW SPREADER DRIVE	539443.0	1	no AP	
18	SIEVE PAN DRIVE - 1ST STAGE	644209.0	1	AP1000699	4014486470826
18	SIEVE PAN DRIVE - 1ST STAGE	644209.1	1	AP1004843	4014486715668
19	SIEVE PAN DRIVE - 2ND STAGE	644902.0	1	AP1001639	4014486485905
21	SIEVE PAN DRIVE 2RD STAGE	756466.0	1	AP1003613	4014486486384
40	HYBRID DRIVE - 2ND STAGE	628792.0	1	AP1001834	4014486488586
41	HYBRID VARIABLE SPEED - 2ND STAGE	744965.0	1	AP1004897	4014486758740
42	HYBRID DRIVE - 1ST STAGE	749886.1	1	AP1001928	4014486489972
47	FAN DRIVE - 1ST STAGE	667957.0	1	AP1000320	4014486465396
49	BLOWER VARIABLE SPEED - 2ND STAGE	628847.1	1	AP1001213	4014486497724
50	FAN DRIVE - 3RD STAGE	744785.0	1	AP1000326	4014486465525
52	THRESHING MECHANISM DRIVE	744965.0	1	AP1004897	4014486758740
53	DRUM DRIVE	644965.0	1	AP1003641	4014486489033
54	PRE-DRUM DRIVE	667251.1	1	AP1003601	4014486485219
60	ENGINE	744873.0	1	AP1001338	4014486483543
61	FAN DRIVE	628964.1	1	AP1002687	4014486482850
63	SUCTION FAN	744874.0	1	AP1000088	4014486460858
	CUTTERBAR DRIVE - 2ND STAGE WITHOUT VARIABLE SPEED	628579.1	3	AP1000862	4014486472998
	CUTTERBAR DRIVE - 3RD STAGE WITH VARIABLE SPEED	628779.1	3	AP1002871	4014486473063
	DISCHARGE DRIVE GRAIN TANK - 1ST STAGE	667981.1	1	AP1001589	4014486485011

MATADOR - GIGANT

0	HYDRAULIC PUMP DRIVE	767057.1	1	AP1003333	4014486462609
1	TURNING DRUM DRIVE	610197.0	1	AP1000903	4014486473490
2	TURNING DRUM DRIVE	500863.0	1	AP1000902	4014486473483
3	COUNTERSHAFT - BALER	551068.0	1	AP1000925	4014486473759
4	MAIN DRIVE	630144.0	1	AP1000965	4014486474244
5	RADIATOR FAN DRIVE	610196.0	1	AP1001029	4014486496284
5	RADIATOR FAN DRIVE	610835.0	1	AP1001031	4014486496307
5	RADIATOR FAN DRIVE	653121.0	1	AP1001030	4014486496291
6	KNIFE DRIVE	610833.0	2	AP1005139	4044978203410
9		630025.0	1	no AP	
10	HYDRAULIC PUMP DRIVE	767057.0	1	AP1003333	4014486462609
11	SIEVE BOX	772658.0	1	AP1000935	4014486473865
12	REEL DRIVE VARIABLE SPEED	778561.0	1	AP1001038	4014486496376
13	PICK UP DRIVE	800309.0	1	AP1000288	4014486464726
14	DRIVE GRAIN TANK	636021.0	1	AP1000882	4014486473223
14	DRIVE GRAIN TANK	636021.1	1	AP1000883	4014486473230
15	TRACTION DRIVE	630156.0	1	AP1000980	4014486474404
16	DRUM DRIVE VARIABLE SPEED	750294.0	1	AP1000251	4014486463897
17	STRAW SHAKER	801222.0	4	AP1000336	4014486465792
	KNIFE DRIVE	610833.1	2	AP1005139	4044978203410

MATADOR - STANDARD

0	HYDRAULIC PUMP DRIVE	767057.1	1	AP1003333	4014486462609
1	TURNING DRUM DRIVE	610197.0	1	AP1000903	4014486473490
2	TURNING DRUM DRIVE	500863.0	1	AP1000902	4014486473483
3	COUNTERSHAFT - BALER	551068.0	1	AP1000925	4014486473759



CLAAS

NR.	DRIVE	PART NUMBER	SET	AP NR.	EAN
4	MAIN DRIVE	630144.0	1	AP1000965	4014486474244
5	RADIATOR FAN DRIVE	610196.0	1	AP1001029	4014486496284
5	RADIATOR FAN DRIVE	610835.0	1	AP1001031	4014486496307
5	RADIATOR FAN DRIVE	653121.0	1	AP1001030	4014486496291
6	KNIFE DRIVE	610833.0	2	AP1005139	4044978203410
7	CYLINDER	617309.2	2	AP1000954	4014486474091
9		630025.0	1	no AP	
10	HYDRAULIC PUMP DRIVE	767057.0	1	AP1003333	4014486462609
11	SIEVE BOX	772658.0	1	AP1000935	4014486473865
12	REEL DRIVE VARIABLE SPEED	778561.0	1	AP1001038	4014486496376
13	PICK UP DRIVE	800309.0	1	AP1000288	4014486464726
14	DRIVE GRAIN TANK	636021.0	1	AP1000882	4014486473223
14	DRIVE GRAIN TANK	636021.1	1	AP1000883	4014486473230
15	TRACTION DRIVE	630156.0	1	AP1000980	4014486474404
16	DRUM DRIVE VARIABLE SPEED	750294.0	1	AP1000251	4014486463897
17	STRAW SHAKER	801222.0	4	AP1000336	4014486465792
	KNIFE DRIVE	610833.1	2	AP1005139	4044978203410

MEDION 310

0		056961.0	1	AP1000117	4014486461268
0		506671.0	1	AP1000506	4014486467840
0		506671.1	1	AP1000506	4014486467840
0		603017.0	2	AP1000833	4014486472592
0		755070.0	2	AP1002795	4014486463279
0		755070.2	2	AP1002795	4014486463279
1		644016.1	1	AP1001800	4014486488104
2		656028.0	1	AP1003335	4014486462869
3		621903.0	1	AP1002041	4014486475166
3		621903.1	1	AP1002041	4014486475166
4		660409.0	1	AP1001575	4014486484809
6		603337.0	1	AP1000662	4014486470260
7		603336.0	1	AP1000478	4014486467499
7		603336.1	1	AP1000478	4014486467499
9		623427.1	1	AP1000409	4014486466720
10		755070.1	2	AP1002795	4014486463279
13		061214.0	1	AP1000868	4014486473070
13		061353.0	1	AP1000870	4014486473094
13		061353.1	1	AP1000870	4014486473094
14		671209.0	1	AP1001039	4014486496383
15		603017.3	2	AP1000833	4014486472592
19		506671.2	1	AP1000506	4014486467840
20		545689.0	1	AP1003332	4014486461886
22		644448.0	1	AP1000139	4014486461565
23		609823.0	1	AP1001225	4014486497809
24		661220.0	1	AP1003340	4014486488807
24		661220.1	1	AP1003340	4014486488807
26		661429.0	1	AP1001212	4014486497717
		603017.2	2	AP1000833	4014486472592

MEDION 320

0		056961.0	1	AP1000117	4014486461268
0		506671.0	1	AP1000506	4014486467840
0		506671.1	1	AP1000506	4014486467840
0		603017.0	2	AP1000833	4014486472592
0		755070.0	2	AP1002795	4014486463279
0		755070.2	2	AP1002795	4014486463279
1		644016.1	1	AP1001800	4014486488104



CLAAS

NR.	DRIVE	PART NUMBER	SET	AP NR.	EAN
2		656028.0	1	AP1003335	4014486462869
3		621903.0	1	AP1002041	4014486475166
3		621903.1	1	AP1002041	4014486475166
4		660409.0	1	AP1001575	4014486484809
6		603337.0	1	AP1000662	4014486470260
7		603336.0	1	AP1000478	4014486467499
7		603336.1	1	AP1000478	4014486467499
9		623427.1	1	AP1000409	4014486466720
10		755070.1	2	AP1002795	4014486463279
13		061214.0	1	AP1000868	4014486473070
13		061353.0	1	AP1000870	4014486473094
13		061353.1	1	AP1000870	4014486473094
14		671209.0	1	AP1001039	4014486496383
15		603017.3	2	AP1000833	4014486472592
19		506671.2	1	AP1000506	4014486467840
20		545689.0	1	AP1003332	4014486461886
22		644448.0	1	AP1000139	4014486461565
23		609823.0	1	AP1001225	4014486497809
24		661220.0	1	AP1003340	4014486488807
24		661220.1	1	AP1003340	4014486488807
26		661429.0	1	AP1001212	4014486497717
		603017.2	2	AP1000833	4014486472592
MEDION 320/310					
0		506671.0	1	AP1000506	4014486467840
0		506671.1	1	AP1000506	4014486467840
0		506671.2	1	AP1000506	4014486467840
MEDION 330					
0		056961.0	1	AP1000117	4014486461268
0	N = 519 MIN-1	066034.0	1	AP1000302	4014486465037
0		506671.0	1	AP1000506	4014486467840
0		506671.1	1	AP1000506	4014486467840
0	ALTERNATOR TILL NR. 932002271	545954.0	1	AP1002646	4014486480849
0		603017.0	2	AP1000833	4014486472592
0		755070.0	2	AP1002795	4014486463279
0		755070.2	2	AP1002795	4014486463279
0	ALTERNATOR FROM NO. 93202272	796998.0	1	AP1003945	4014486481969
1		644016.1	1	AP1001800	4014486488104
2		656028.0	1	AP1003335	4014486462869
3		621903.0	1	AP1002041	4014486475166
3		621903.1	1	AP1002041	4014486475166
4	WITH MERCEDES OM 906 LA	544166.0	1	AP1003360	4014486484830
4	WITH PERKINS 1006-6 TA	660409.0	1	AP1001575	4014486484809
5	WITH PERKINS 1006-6 TA	544114.1	1	AP1003635	4014486488753
5	WITH MERCEDES OM 906 LA	544164.0	1	AP1001969	4014486490800
6		603337.0	1	AP1000662	4014486470260
7		603336.0	1	AP1000478	4014486467499
7		603336.1	1	AP1000478	4014486467499
8		644447.0	1	AP1000420	4014486466836
9		623427.1	1	AP1000409	4014486466720
10		755070.1	2	AP1002795	4014486463279
11	N = 660 MIN-1	785341.0	1	AP1000295	4014486464870
12		661301.0	2	AP1000840	4014486472684
12		661301.1	2	AP1000840	4014486472684
13	FOR CORN	061214.0	1	AP1000868	4014486473070
13		061353.0	1	AP1000870	4014486473094



CLAAS

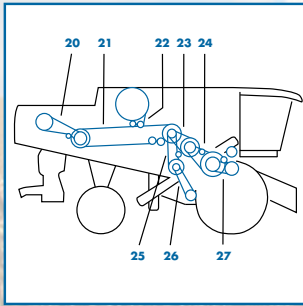
NR.	DRIVE	PART NUMBER	SET	AP NR.	EAN
13		061353.1	1	AP1000870	4014486473094
14		671209.0	1	AP1001039	4014486496383
15		603017.3	2	AP1000833	4014486472592
17		544147.0	1	AP1000727	4014486471199
19		506671.2	1	AP1000506	4014486467840
20	TO NO. 93202271	545689.0	1	AP1003332	4014486461886
20	FROM NO. 93202272	821734.2	1	AP1000154	4014486461763
22		644448.0	1	AP1000139	4014486461565
23		661427.0	1	AP1001228	4014486497847
24	DRUM VARIABLE SPEED DRIVE	661220.0	1	AP1003340	4014486488807
24	DRUM VARIABLE SPEED DRIVE	661220.1	1	AP1003340	4014486488807
26	DIRECT DRIVE	661429.0	1	AP1001212	4014486497717
		603017.2	2	AP1000833	4014486472592

MEDION 330 HYDRO

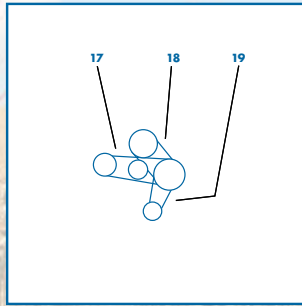
0	STRAW WALKER DRIVE	506671.0	1	AP1000506	4014486467840
0	STRAW WALKER DRIVE	506671.1	1	AP1000506	4014486467840
0	ALTERNATOR FROM NR. 93100213	545954.0	1	AP1002646	4014486480849
0	SIEVE PAN, 3RD STAGE	603017.0	2	AP1000833	4014486472592
0	ALTERNATOR FROM NO. 93100214	796998.0	1	AP1003945	4014486481969
1	HYDRAULIC GROUND DRIVE	644016.1	1	AP1001800	4014486488104
2	GEAR PUMP	656028.0	1	AP1003335	4014486462869
3	AIR CONDITIONER	621903.0	1	AP1002041	4014486475166
3	AIR CONDITIONER	621903.1	1	AP1002041	4014486475166
4	GRAIN TANK UNLOADING	544166.0	1	AP1003360	4014486484830
5	THRESHING MECHANISM DRIVE	544164.0	1	AP1001969	4014486490800
6	SIEVE PAN, 1ST STAGE	603337.0	1	AP1000662	4014486470260
7	SIEVE PAN, 2ND STAGE	603336.0	1	AP1000478	4014486467499
7	SIEVE PAN, 2ND STAGE	603336.1	1	AP1000478	4014486467499
8	INTENSIVE SEPARATION SYSTEM	644447.0	1	AP1000420	4014486466836
12		644419.0	2	AP1000832	4014486472585
13	CHOPPER DRIVE 2ND STAGE	061353.0	1	AP1000870	4014486473094
13	CHOPPER DRIVE 2ND STAGE	061353.1	1	AP1000870	4014486473094
14	FAN VARIATOR	671209.0	1	AP1001039	4014486496383
15	SIEVE PAN, 3RD STAGE	603017.3	2	AP1000833	4014486472592
17	CHOPPER DRIVE 1ST STAGE	544147.0	1	AP1000727	4014486471199
19	STRAW WALKER DRIVE	506671.2	1	AP1000506	4014486467840
20	RADIATOR SCREEN 2ND STAGE TO NO. 93100143	545689.0	1	AP1003332	4014486461886
20	RADIATOR SCREEN 2ND STAGE FROM NO. 93100144	821734.2	1	AP1000154	4014486461763
22	RADIATOR SCREEN SUCTION BLOWER	644448.0	1	AP1000139	4014486461565
26	DIRECT DRIVE DRUM VARIABLE SPEED DRIVE 650 - 1500 RPM	661429.0	1	AP1001212	4014486497717
	SIEVE PAN, 3RD STAGE	603017.2	2	AP1000833	4014486472592
		644419.1	2	AP1000832	4014486472585

MEDION 340

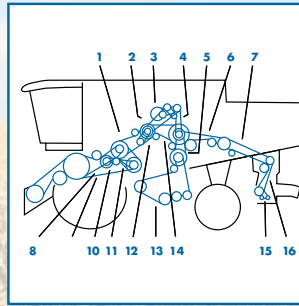
0		506671.0	1	AP1000506	4014486467840
0		506671.1	1	AP1000506	4014486467840
0		755070.0	2	AP1002795	4014486463279
0		755070.2	2	AP1002795	4014486463279
2		656028.0	1	AP1003335	4014486462869
3		621903.0	1	AP1002041	4014486475166
3		621903.1	1	AP1002041	4014486475166
4		544166.0	1	AP1003360	4014486484830
5		544164.0	1	AP1001969	4014486490800
6		603337.0	1	AP1000662	4014486470260
7		644141.1	1	AP1000476	4014486467475
9		623427.1	1	AP1000409	4014486466720



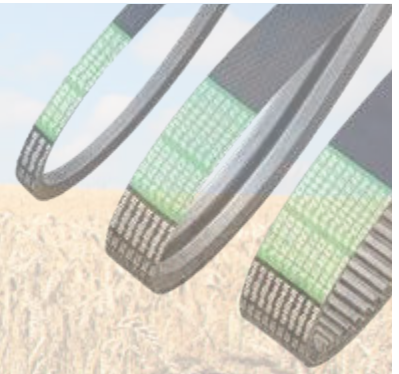
MERCATOR 50-60 LEFT



MERCATOR 50-60 MIDDLE

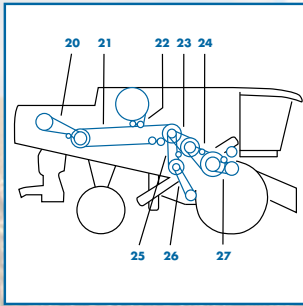


MERCATOR 50-60 RIGHT

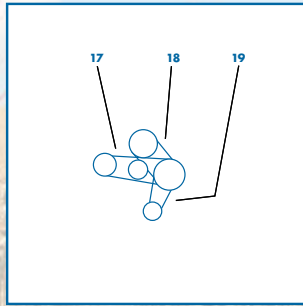


CLAAS

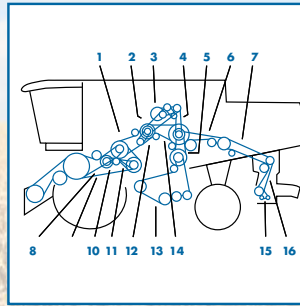
NR.	DRIVE	PART NUMBER	SET	AP NR.	EAN
10		755070.1	2	AP1002795	4014486463279
13		061214.0	1	AP1000868	4014486473070
14		603380.1	1	AP1001080	4014486498240
15		609762.0	1	AP1001713	4014486486919
19		506671.2	1	AP1000506	4014486467840
23		609823.0	1	AP1001225	4014486497809
24		661220.0	1	AP1003340	4014486488807
24		661220.1	1	AP1003340	4014486488807
MEGA 203					
1	GROUND DRIVE	661362.2	1	AP1005038	4044978005182
MEGA 203 II					
1	GROUND DRIVE	661362.2	1	AP1005038	4044978005182
13	FOR MULTIMASTER	661362.2	1	AP1005038	4044978005182
MEGA 204					
1	GROUND DRIVE	661362.2	1	AP1005038	4044978005182
MEGA 204 II					
1	GROUND DRIVE	661362.2	1	AP1005038	4044978005182
13	FOR MULTIMASTER	661362.2	1	AP1005038	4044978005182
MERCATOR 50					
0	STRAW WALKER DRIVE	755070.1	2	AP1002795	4014486463279
0	STRAW WALKER DRIVE	755070.2	2	AP1002795	4014486463279
1	MAIN DRIVE	653060.0	1	AP1003653	4014486489514
2	HYDRAULIC PUMP DRIVE	656028.0	1	AP1003335	4014486462869
3	MAIN DRIVE	630144.0	1	AP1000965	4014486474244
3	MAIN DRIVE	653059.0	1	AP1000960	4014486474183
3	MAIN DRIVE	653062.0	1	AP1000964	4014486474220
3	MAIN DRIVE	653064.0	1	AP1000968	4014486474275
4	REEL DRIVE VARIABLE SPEED	778561.0	1	AP1001038	4014486496376
5	KNIFE DRIVE	610830.0	2	AP1002789	4014486466249
5	KNIFE DRIVE	610833.0	2	AP1005139	4044978203410
6	CUTTING TABLE DRIVE	653063.0	1	AP1003572	4014486497045
7	CYLINDER VARIATOR DRIVE	617309.2	2	AP1000954	4014486474091
8	FANNING MILL	653121.0	1	AP1001030	4014486496291
9	SHAKER SHOE DRIVE	653120.0	1	AP1000929	4014486473797
10	DRIVE GRAIN TANK	634019.0	2	AP1002792	4014486464368
10	DRIVE GRAIN TANK	634019.1	2	AP1002792	4014486464368
10	DRIVE GRAIN TANK	634019.2	2	AP1002792	4014486464368
10	DRIVE GRAIN TANK	653450.0	1	AP1002137	4014486476491
11	STRAW WALKER DRIVE	653933.0	1	AP1002119	4014486476200
11	STRAW WALKER DRIVE	755070.0	2	AP1002795	4014486463279
12	TURNING DRUM DRIVE	750294.0	1	AP1000251	4014486463897
13	TANK UNLOADER DRIVE	653779.0	1	AP1000908	4014486473568
14	TRACTION DRIVE	655408.0	1	AP1001527	4014486460469
	KNIFE DRIVE	610830.1	2	AP1002789	4014486466249
	KNIFE DRIVE	610833.1	2	AP1005139	4044978203410
MERCATOR 60					
0	STRAW WALKER DRIVE	755070.1	2	AP1002795	4014486463279
0	STRAW WALKER DRIVE	755070.2	2	AP1002795	4014486463279
1	MAIN DRIVE	653060.0	1	AP1003653	4014486489514
2	HYDRAULIC PUMP DRIVE	656028.0	1	AP1003335	4014486462869
3	MAIN DRIVE	630144.0	1	AP1000965	4014486474244



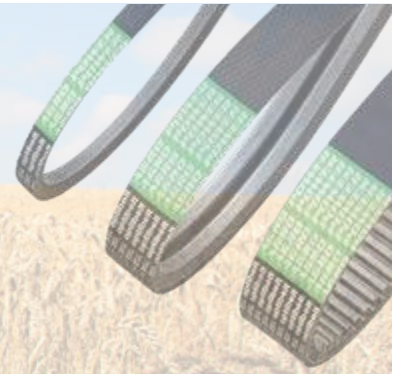
MERCATOR S70 LEFT



MERCATOR S70 MIDDLE



MERCATOR S70 RIGHT



CLAAS

NR.	DRIVE	PART NUMBER	SET	AP NR.	EAN
MERCATOR 75					
0	STRAW WALKER DRIVE	755070.1	2	AP1002795	4014486463279
0	STRAW WALKER DRIVE	755070.2	2	AP1002795	4014486463279
1	MAIN DRIVE	653060.0	1	AP1003653	4014486489514
2	HYDRAULIC PUMP DRIVE	656028.0	1	AP1003335	4014486462869
3	MAIN DRIVE	630144.0	1	AP1000965	4014486474244
3	MAIN DRIVE	653059.0	1	AP1000960	4014486474183
3	MAIN DRIVE	653062.0	1	AP1000964	4014486474220
3	MAIN DRIVE	653064.0	1	AP1000968	4014486474275
4	REEL DRIVE VARIABLE SPEED	778561.0	1	AP1001038	4014486496376
5	KNIFE DRIVE	610830.0	2	AP1002789	4014486466249
5	KNIFE DRIVE	610833.0	2	AP1005139	4044978203410
6	CUTTING TABLE DRIVE	653063.0	1	AP1003572	4014486497045
7	CYLINDER VARIATOR DRIVE	617309.2	2	AP1000954	4014486474091
8	FANNING MILL	653380.0	1	AP1001032	4014486496314
9	SHAKER SHOE DRIVE	653120.0	1	AP1000929	4014486473797
10	DRIVE GRAIN TANK	634019.0	2	AP1002792	4014486464368
10	DRIVE GRAIN TANK	634019.1	2	AP1002792	4014486464368
10	DRIVE GRAIN TANK	634019.2	2	AP1002792	4014486464368
10	DRIVE GRAIN TANK	653450.0	1	AP1002137	4014486476491
11	TURNING DRUM DRIVE	750294.0	1	AP1000251	4014486463897
12	STRAW WALKER DRIVE	653933.0	1	AP1002119	4014486476200
12	STRAW WALKER DRIVE	755070.0	2	AP1002795	4014486463279
13	TANK UNLOADER DRIVE	654534.0	1	AP1000913	4014486473629
14	TRACTION DRIVE	655408.0	1	AP1001527	4014486460469
15	SHAKER SHAFT DRIVE	687046.0	1	AP1000323	4014486465471
	KNIFE DRIVE	610830.1	2	AP1002789	4014486466249
	KNIFE DRIVE	610833.1	2	AP1005139	4044978203410
	FANNING MILL	653380.1	1	AP1001032	4014486496314
	SHAKER SHAFT DRIVE	687046.1	1	AP1000323	4014486465471
MERCATOR S 70					
0	STRAW WALKER DRIVE	755070.1	2	AP1002795	4014486463279
0	STRAW WALKER DRIVE	755070.2	2	AP1002795	4014486463279
1	MAIN DRIVE	653060.0	1	AP1003653	4014486489514
2	HYDRAULIC PUMP DRIVE	656028.0	1	AP1003335	4014486462869
3	MAIN DRIVE	630144.0	1	AP1000965	4014486474244
3	MAIN DRIVE	653059.0	1	AP1000960	4014486474183
3	MAIN DRIVE	653062.0	1	AP1000964	4014486474220
3	MAIN DRIVE	653064.0	1	AP1000968	4014486474275
4	REEL DRIVE VARIABLE SPEED	778561.0	1	AP1001038	4014486496376
5	KNIFE DRIVE	610830.0	2	AP1002789	4014486466249
5	KNIFE DRIVE	610833.0	2	AP1005139	4044978203410
6	CUTTING TABLE DRIVE	653063.0	1	AP1003572	4014486497045
7	CYLINDER VARIATOR DRIVE	617309.2	2	AP1000954	4014486474091
8	FANNING MILL	653380.0	1	AP1001032	4014486496314
9	SHAKER SHOE DRIVE	653120.0	1	AP1000929	4014486473797
10	DRIVE GRAIN TANK	634019.0	2	AP1002792	4014486464368
10	DRIVE GRAIN TANK	634019.1	2	AP1002792	4014486464368
10	DRIVE GRAIN TANK	634019.2	2	AP1002792	4014486464368
10	DRIVE GRAIN TANK	653450.0	1	AP1002137	4014486476491
11	TURNING DRUM DRIVE	750294.0	1	AP1000251	4014486463897
12	STRAW WALKER DRIVE	653933.0	1	AP1002119	4014486476200
12	STRAW WALKER DRIVE	755070.0	2	AP1002795	4014486463279
13	TANK UNLOADER DRIVE	654534.0	1	AP1000913	4014486473629
14	TRACTION DRIVE	655408.0	1	AP1001527	4014486460469



CLAAS

NR.	DRIVE	PART NUMBER	SET	AP NR.	EAN
15	SHAKER SHAFT DRIVE	687046.0	1	AP1000323	4014486465471
	KNIFE DRIVE	610830.1	2	AP1002789	4014486466249
	KNIFE DRIVE	610833.1	2	AP1005139	4044978203410
	FANNING MILL	653380.1	1	AP1001032	4014486496314
	SHAKER SHAFT DRIVE	687046.1	1	AP1000323	4014486465471

MERCUR

0	RADIATOR FAN DRIVE	758662.1	1	AP1000240	4014486463484
0		773313.0	1	AP1000480	4014486467512
0	KNIFE DRIVE	778717.1	2	AP1004307	4014486714937
1	BALER	500863.0	1	AP1000902	4014486473483
2	RADIATOR FAN DRIVE	758662.0	1	AP1000240	4014486463484
2	RADIATOR FAN DRIVE	758719.0	1	AP1003405	4014486463309
3	KNIFE DRIVE	770214.0	1	AP1000897	4014486473407
3	KNIFE DRIVE	778717.0	2	AP1004307	4014486714937
4	SPREADER GRAIN IN TANK	775698.0	1	AP1000272	4014486464429
5	REEL DRIVE VARIABLE SPEED	778561.0	1	AP1001038	4014486496376
7	CUTTING TABLE DRIVE	779214.0	1	AP1000452	4014486467215
7	CUTTING TABLE DRIVE	779272.0	1	AP1000459	4014486467284
8	TANK UNLOADER DRIVE	780419.0	1	AP1000885	4014486473261
9	PICK UP DRIVE	800309.0	1	AP1000288	4014486464726
10	STRAW CHOPPER DRIVE	551190.0	1	AP1000933	4014486473841
11	TRACTION VARIATOR DRIVE	751112.0	1	AP1001161	4014486497427
13	TRACTION DRIVE	758853.0	1	AP1000456	4014486467253
14	THRESHING MACHINE	758854.0	1	AP1000449	4014486467161
16	SHAKER SHOE FAN ELEVATOR - BALER	779212.0	1	AP1000486	4014486467574
17	SHAKER SHOE FAN ELEVATOR	779213.0	1	AP1000482	4014486467536

OLDER MODELS

0	FAN DRIVE	505143.1	1	AP1000513	4014486467925
0	HYDRAULIC PUMP DRIVE	633030.2	1	AP1000220	4014486462838
1	FAN DRIVE	505143.0	1	AP1000513	4014486467925
2	BALER	506023.0	1	AP1000928	4014486473780
3	GOVERNOR DRIVE	624131.0	1	AP1000194	4014486462289
4	HYDRAULIC PUMP DRIVE	633030.0	1	AP1000220	4014486462838
5	SIEVE BOX	634019.0	2	AP1002792	4014486464368
5	SIEVE BOX	634019.1	2	AP1002792	4014486464368
5	SIEVE BOX	634019.2	2	AP1002792	4014486464368
6	STRAW WALKER DRIVE	501925.0	1	AP1003449	4014486465501
7	MAIN DRIVE FLAT BELT	630025.0	1	no AP	
8	CYLINDER	503969.0	1	AP1000956	4014486520293
9	PICK UP DRIVE	507020.0	2	AP1005139	4044978203410
	HYDRAULIC PUMP DRIVE	633030.1	1	AP1000220	4014486462838

PROTECTOR

0	SHAKER SHOE DRIVE	653120.0	1	AP1000929	4014486473797
1	KNIFE DRIVE	610830.0	2	AP1002789	4014486466249
1	KNIFE DRIVE	610833.0	2	AP1005139	4044978203410
2	CYLINDER VARIATOR DRIVE	617309.2	2	AP1000954	4014486474091
3	MAIN DRIVE	630144.0	1	AP1000965	4014486474244
3	MAIN DRIVE	653059.0	1	AP1000960	4014486474183
3	MAIN DRIVE	653062.0	1	AP1000964	4014486474220
3	MAIN DRIVE	653064.0	1	AP1000968	4014486474275
4	CYLINDER DRIVE	653060.0	1	AP1003653	4014486489514
5	CUTTING TABLE DRIVE	653063.0	1	AP1003572	4014486497045
7	FANNING MILL	653121.0	1	AP1001030	4014486496291
8	SHAKER SHOE DRIVE	653450.0	1	AP1002137	4014486476491



CLAAS

NR.	DRIVE	PART NUMBER	SET	AP NR.	EAN
9	HYDRAULIC PUMP DRIVE	656028.0	1	AP1003335	4014486462869
10	REEL DRIVE VARIABLE SPEED	778561.0	1	AP1001038	4014486496376
11	TANK UNLOADER DRIVE	653779.0	1	AP1000908	4014486473568
12	STRAW WALKER DRIVE	653933.0	1	AP1002119	4014486476200
13	TRACTION DRIVE	655408.0	1	AP1001527	4014486460469
14	TURNING DRUM DRIVE	750294.0	1	AP1000251	4014486463897
	KNIFE DRIVE	610830.1	2	AP1002789	4014486466249
	KNIFE DRIVE	610833.1	2	AP1005139	4044978203410
RAPS DOMINATOR					
0		509206.0	1	AP1000519	4014486467994
SENATOR					
0	HYDRAULIC PUMP DRIVE	633030.2	1	AP1000220	4014486462838
0	SHAKER SHOE DRIVE	653120.0	1	AP1000929	4014486473797
1	KNIFE DRIVE	610830.0	2	AP1002789	4014486466249
1	KNIFE DRIVE	610833.0	2	AP1005139	4044978203410
3	MAIN DRIVE	630144.0	1	AP1000965	4014486474244
2	CYLINDER VARIATOR DRIVE	617309.2	2	AP1000954	4014486474091
3	MAIN DRIVE	653059.0	1	AP1000960	4014486474183
3	MAIN DRIVE	653062.0	1	AP1000964	4014486474220
3	MAIN DRIVE	653064.0	1	AP1000968	4014486474275
4	HYDRAULIC PUMP DRIVE	633030.0	1	AP1000220	4014486462838
5	CYLINDER	653060.0	1	AP1003653	4014486489514
6	CUTTING TABLE DRIVE	653063.0	1	AP1003572	4014486497045
8	FANNING MILL	653121.0	1	AP1001030	4014486496291
8	FANNING MILL	653380.0	1	AP1001032	4014486496314
9	REEL DRIVE VARIABLE SPEED	778561.0	1	AP1001038	4014486496376
10	TRACTION DRIVE	631904.0	1	AP1001162	4014486497434
10	TRACTION DRIVE	655408.0	1	AP1001527	4014486460469
11	TANK UNLOADER DRIVE	654013.0	1	AP1002233	4014486477955
12	TURNING DRUM DRIVE	750294.0	1	AP1000251	4014486463897
13	STRAW WALKER DRIVE	653933.0	1	AP1002119	4014486476200
13	STRAW WALKER DRIVE	801222.0	4	AP1000336	4014486465792
	KNIFE DRIVE	610830.1	2	AP1002789	4014486466249
	KNIFE DRIVE	610833.1	2	AP1005139	4044978203410
	HYDRAULIC PUMP DRIVE	633030.1	1	AP1000220	4014486462838
	FANNING MILL	653380.1	1	AP1001032	4014486496314
SF					
0	HYDRAULIC PUMP DRIVE	633030.2	1	AP1000220	4014486462838
1	DRIVE GRAIN TANK	636021.0	1	AP1000882	4014486473223
2	DRIVE GRAIN TANK	636021.1	1	AP1000883	4014486473230
3	ENGINE	624131.0	1	AP1000194	4014486462289
4	HYDRAULIC PUMP DRIVE	633030.0	1	AP1000220	4014486462838
5	STRAW SHAKER	618123.0	1	AP1000284	4014486464641
6	CUTTING TABLE DRIVE	610197.0	1	AP1000903	4014486473490
7	MAIN DRIVE	617309.2	2	AP1000954	4014486474091
8	MAIN DRIVE	630144.0	1	AP1000965	4014486474244
9	TRACTION DRIVE	630156.0	1	AP1000980	4014486474404
11	MAIN DRIVE FLAT BELT	630025.0	1	no AP	
12	MAIN DRIVE	630118.0	1	AP1000959	4014486474169
	HYDRAULIC PUMP DRIVE	633030.1	1	AP1000220	4014486462838
TUCANO 330/320					
1		554017.0	2	AP1003974	4014486472790
3		549099.0	1	AP1003966	4014486491708



CLAAS

NR.	DRIVE	PART NUMBER	SET	AP NR.	EAN
4		667251.1	1	AP1003601	4014486485219
5		603247.1	1	AP1003626	4014486488111
6		603337.0	1	AP1000662	4014486470260
7		644362.0	1	AP1001077	4014486498219
7		644362.1	1	AP1005197	
8		644267.0	1	AP1000243	4014486463613
9		644141.1	1	AP1000476	4014486467475
10		609762.0	1	AP1001713	4014486486919
11		506671.2	1	AP1000506	4014486467840
12		644447.0	1	AP1000420	4014486466836
13		544216.0	1	AP1003967	4014486465938
13		544216.1	1	AP1003967	4014486465938
14		629402.0	1	AP1000409	4014486466720
15		633030.2	1	AP1000220	4014486462838
40		544172.0	1	AP1001745	4014486487299
41		061700.1	1	AP1003356	4014486486131
42		661427.0	1	AP1001228	4014486497847
43		661220.0	1	AP1003340	4014486488807
43		661220.1	1	AP1003340	4014486488807
44		661429.0	1	AP1001212	4014486497717
45		077276.0	1	AP1000177	4014486462067
46		799181.0	1	AP1003189	4014486481785
47		549752.0	2	AP1002745	4014486460957

TUCANO 340

1		554017.0	2	AP1003974	4014486472790
3		549099.0	1	AP1003966	4014486491708
4		667251.1	1	AP1003601	4014486485219
5		544049.1	2	AP1001561	4014486484618
6		603337.0	1	AP1000662	4014486470260
7		644362.0	1	AP1001077	4014486498219
7		644362.1	1	AP1005197	
8		538714.0	1	AP1000230	4014486463187
9		644141.1	1	AP1000476	4014486467475
10		609762.0	1	AP1001713	4014486486919
11		506671.2	1	AP1000506	4014486467840
12		644447.0	1	AP1000420	4014486466836
13		544216.0	1	AP1003967	4014486465938
13		544216.1	1	AP1003967	4014486465938
14		629402.0	1	AP1000409	4014486466720
15		633030.2	1	AP1000220	4014486462838
40		544172.0	1	AP1001745	4014486487299
41		061700.1	1	AP1003356	4014486486131
42		661427.0	1	AP1001228	4014486497847
43		661220.0	1	AP1003340	4014486488807
43		661220.1	1	AP1003340	4014486488807
44		661429.0	1	AP1001212	4014486497717
45		077276.0	1	AP1000177	4014486462067
46		799181.0	1	AP1003189	4014486481785
47		549752.0	2	AP1002745	4014486460957

TUCANO 430

1		549055.0	2	AP1003968	4014486520309
1		549055.1	2	AP1003968	4014486520309
2		661031.1	1	AP1001564	4014486484663
3		549099.0	1	AP1003966	4014486491708
4		667251.1	1	AP1003601	4014486485219



CLAAS

NR.	DRIVE	PART NUMBER	SET	AP NR.	EAN
5		544049.1	2	AP1001561	4014486484618
6		603337.0	1	AP1000662	4014486470260
7		644362.0	1	AP1001077	4014486498219
7		644362.1	1	AP1005197	
8		538714.0	1	AP1000230	4014486463187
9		644141.1	1	AP1000476	4014486467475
10		609762.0	1	AP1001713	4014486486919
11		506671.2	1	AP1000506	4014486467840
12		644447.0	1	AP1000420	4014486466836
13		544216.0	1	AP1003967	4014486465938
13		544216.1	1	AP1003967	4014486465938
14		629402.0	1	AP1000409	4014486466720
15		633030.2	1	AP1000220	4014486462838
40		544172.0	1	AP1001745	4014486487299
41		061700.1	1	AP1003356	4014486486131
42		661427.0	1	AP1001228	4014486497847
43		661220.0	1	AP1003340	4014486488807
43		661220.1	1	AP1003340	4014486488807
45		077276.0	1	AP1000177	4014486462067
46		799181.0	1	AP1003189	4014486481785
47		549752.0	2	AP1002745	4014486460957
TUCANO 450/440					
1		549055.0	2	AP1003968	4014486520309
2		661031.1	1	AP1001564	4014486484663
3		549099.0	1	AP1003966	4014486491708
4		667251.1	1	AP1003601	4014486485219
5		544049.1	2	AP1001561	4014486484618
6		603337.0	1	AP1000662	4014486470260
7		644362.0	1	AP1001077	4014486498219
8		538714.0	1	AP1000230	4014486463187
9		644141.1	1	AP1000476	4014486467475
10		609762.0	1	AP1001713	4014486486919
11		506671.2	1	AP1000506	4014486467840
12		2227662.0	1	AP1000421	4014486466843
13		544216.0	1	AP1003967	4014486465938
13		544216.1	1	AP1003967	4014486465938
14		629402.0	1	AP1000409	4014486466720
15		633030.2	1	AP1000220	4014486462838
40		544172.0	1	AP1001745	4014486487299
41		061700.1	1	AP1003356	4014486486131
42		661427.0	1	AP1001228	4014486497847
43		661220.0	1	AP1003340	4014486488807
43		661220.1	1	AP1003340	4014486488807
45		077276.0	1	AP1000177	4014486462067
46		799181.0	1	AP1003189	4014486481785
47		549752.0	2	AP1002745	4014486460957
TUCANO 580					
4		545306.0	1	AP1004918	4014486868548
5		660504.0	1	AP1001939	4014486490367
7		644362.1	1	AP1005197	
16		545216.0	1	AP1005186	4044978222763
18		554365.0	1	AP1004900	4014486772104
22		545186.1	1	AP1005199	4044978222855
22		545187.0	1	AP1004915	4014486868647
25		545189.0	1	AP1004513	4014486717235



DEUTZ-FAHR

NR.	DRIVE	PART NUMBER	SET	AP NR.	EAN
11	ENGINE - GRAIN TANK CLUTCH	01141613	1	AP1001749	4014486487329
		1116131	1	AP1005145	4044978203472
		1139214	1	AP1002452	4014486493337
		1139215	1	AP1002453	4014486493351
		1139219	1	AP1002468	4014486493542
		1139222	1	AP1002483	4014486493801
		1139250	1	AP1005142	4044978203441
		1141502	1	AP1001748	4014486487312
		1141624	1	AP1003618	4014486486865
		1141625	1	AP1001727	4014486487107
		1141637	1	AP1001440	4014486459487
		1141762	1	AP1001092	4014486496741
		1141888	1	AP1004549	4014486721393
		1142840	1	AP1001383	4014486474992
		1145064	1	AP1001069	4014486496536
		1145334	1	AP1001156	4014486497373
		1145457	1	AP1001810	4014486488227
		1145458	1	AP1001888	4014486489453
		1145459	1	AP1001981	4014486491005
		1145590	1	AP1001008	4014486487909
		1145626	1	AP1001459	4014486459678
		1145628	1	AP1001311	4014486492729
		1145632	1	AP1001750	4014486519518
		1145660	1	AP1001994	4014486491173
		1145668	2	AP1002509	4014486494150
		1145680	1	AP1001298	4014486492507
		1145689	1	AP1002017	4014486491500
		1145690	1	AP1001925	4014486489934
		1145693	1	AP1004736	4014486719079
		1145726	1	AP1001464	4014486459746
		1145750	1	AP1001752	4014486487350
		1145751	1	AP1001927	4014486489965
		1145789	2	AP1004414	4014486714791
		1145802	1	AP1001465	4014486459753
		1146033	1	AP1001744	4014486487282
		1146076	1	AP1004922	4014486868685
		1148874	1	AP1002661	4014486481655
		1154311	2	AP1002589	4014486495836
		1154352	1	AP1002529	4014486494488
		1154357	1	AP1002547	4014486494778
		1168314	1	AP1000054	4014486483741
		1168325	1	AP1002556	4014486494983
		1174974	1	AP1001903	4014486489637
		1176330	1	AP1002562	4014486495157
		1178461	1	AP1004705	4014486719826
		1178685	1	AP1004724	4014486716504
		1178737	2	AP1002532	4014486494525
		1179088	2	AP1002531	4014486494501
		1179479	1	AP1002532	4014486494525
		1179564	1	AP1002465	4014486493504
		1179565	1	AP1002460	4014486493436
		1179777	1	AP1002452	4014486493337
		1179988	1	AP1002455	4014486493375
		1180150	1	AP1002547	4014486494778
		1180172	1	AP1002539	4014486494648
		1180468	1	AP1002529	4014486494488
		1180516	1	AP1003722	4014486494990



DEUTZ-FAHR

NR.	DRIVE	PART NUMBER	SET	AP NR.	EAN
		1180517	1	AP1002584	4014486495706
		1180553	1	AP1002738	4014486496208
		1180619	1	AP1002537	4014486494600
		1180833	1	AP1004876	4014486719840
		1180847	1	AP1004851	4014486716542
		1180848	1	AP1002521	4014486494389
		1181185	1	AP1003713	4014486494716
		1181366	1	AP1002466	4014486493528
		1182063	1	AP1002537	4014486494600
		1182339	1	AP1002500	4014486494068
		1182429	1	AP1002500	4014486494068
		1182499	2	AP1002444	4014486493221
		1182599	1	AP1003172	4014486481495
		1183205	1	AP1002531	4014486494501
		1183387	1	AP1005055	4014486933918
		1183397	1	AP1004938	4014486895353
		1183511	1	AP1005057	4014486933932
		2231579	1	AP1002460	4014486493436
		2235176	2	AP1002483	4014486493801
		2235255	1	AP1002490	4014486493931
		2235421	1	AP1002498	4014486494044
		2419104	2	AP1002985	4014486494365
		3170529	1	AP1000708	4014486470956
		3170537	1	AP1004844	4014486715842
		3651575	1	AP1001806	4014486488173
		4305745	1	AP1002525	4014486494433
		4325871	1	AP1002512	4014486494204
		4343181	1	AP1002556	4014486494983
		4435634	1	AP1002432	4014486493108
		4437559	1	AP1002586	4014486495775
		4437560	1	AP1004935	4014486883008
		4438414	1	AP1002593	4014486495904
		4450657	1	AP1002951	4014486495676
		4452089	1	AP1003781	4014486480245
		4452440	1	AP1002736	4014486496185
		4452801	1	AP1002521	4014486494389
		4455177	1	AP1003713	4014486494716
		4455253	1	AP1003105	4014486480320
		6204307	1	AP1001176	4014486497489
		6204311	1	AP1001937	4014486490343
		6204313	1	AP1001200	4014486497564
		6212834	4	AP1003059	4014486474480
		6212847	1	AP1002465	4014486493504
		6212850	1	AP1002475	4014486493627
		6212851	1	AP1002478	4014486493696
		6212852	1	AP1002483	4014486493801
		6215206	1	AP1001106	4014486496888
		6215207	1	AP1001002	4014486497250
		6215208	1	AP1001441	4014486459494
		6215211	1	AP1001197	4014486497533
		6215212	1	AP1001201	4014486497571
		6215226	1	no AP	
		6215261	1	AP1001964	4014486490749
		6225210	1	no AP	
		6241305	2	AP1002917	4014486460070
		6259006	2	AP1001155	4014486473896
		6273876	1	AP1001440	4014486459487



DEUTZ-FAHR

NR.	DRIVE	PART NUMBER	SET	AP NR.	EAN
		16006626	1	no AP	
		16015922	1	AP1001613	4014486485431
		16015923	1	AP1003664	4014486490831
		16024474	1	AP1004579	4014486717716
		16026321	1	AP1001290	4014486492798
		16029939	5	AP1002607	4014486496147
		16031403	1	AP1001297	4014486492491
		16031404	2	AP1001138	4014486490176
		16031538	1	AP1001603	4014486485257
		16039033	1	AP1004544	4014486719642
		16042133	1	AP1001239	4014486491937
		16055471	1	AP1004655	4014486720594
		16061769	1	AP1004840	4014486715446
		16062265	1	AP1004585	4014486717778
		16062735	1	AP1004641	4014486718614
		16062737	1	AP1004541	4014486718430
		16062738	1	AP1003981	4014486519594
		16062763	1	AP1002539	4014486494648
		16062841	1	AP1004379	4014486714494
		16062842	1	AP1000302	4014486465037
		16062883	1	AP1004914	4014486868630
		16062884	1	AP1002541	4014486494693
		16062885	1	AP1004540	4014486718423
		16063211	1	AP1004930	4014486868654
		16064323	1	no AP	
		16617104	1	AP1002405	4014486479492
		33700746	1	AP1000755	4014486471557
		36200413	1	AP1000700	4014486470833
		890009466056	1	AP1004928	4014486866971
		0.017.4868.0	1	AP1000230	4014486463187
		0.017.7465.0	1	AP1004854	4014486719659
		0.017.9350.0	1	AP1002055	4014486475326
		0.018.1907.0	1	AP1004857	4014486717655
		0.018.1930.0	1	AP1004593	4014486717860
		0.018.3550.0	1	AP1004831	4014486714128
		0.018.9044.0	1	AP1001724	4014486487077
		0.018.9690.0	1	AP1003980	4014486518511
		0.0183111.0	1	AP1000039	4014486460766
		01100903	3	AP1000305	4014486465105
		01104054	1	AP1000887	4014486473285
		01116060	1	AP1000094	4014486460926
		01116062	1	AP1000098	4014486460988
		01116063	1	AP1000100	4014486461008
		01116080	1	AP1000196	4014486462333
		01116089	1	AP1000217	4014486462760
		01116091	1	AP1000224	4014486462913
		01116092	1	AP1000230	4014486463187
		01116093	1	AP1000243	4014486463613
		01116094	1	AP1000257	4014486464047
		01116095	1	AP1000288	4014486464726
		01116096	1	AP1000296	4014486464887
		01116097	1	AP1000336	4014486465792
		01116113	1	AP1000492	4014486467642
		01116114	1	AP1000494	4014486467666
		01116131	1	AP1005145	4044978203472
		01129779	1	AP1003401	4014486463095
		1129780	2	AP1003449	4014486465501



DEUTZ-FAHR

NR.	DRIVE	PART NUMBER	SET	AP NR.	EAN
		01129970	1	AP1002247	4014486478143
		01130742	1	AP1003431	4014486464313
		01136717	1	AP1000249	4014486463828
		01136724	1	AP1000514	4014486467932
		01136729	1	AP1000924	4014486473742
		01136731	1	AP1000952	4014486474077
		01136734	1	AP1002050	4014486475265
		01136747	1	AP1002240	4014486478051
		01137509	1	AP1000235	4014486463361
		01139068	1	AP1000351	4014486466089
		01139070	1	AP1003478	4014486467796
		01139071	1	AP1000505	4014486467833
		01139073	1	AP1000521	4014486468014
		01139074	1	AP1000522	4014486468021
		01139076	1	AP1000525	4014486468052
		01139078	1	AP1000530	4014486468106
		01139079	1	AP1000602	4014486469349
		01139080	1	AP1000623	4014486469684
		01139081	1	AP1003519	4014486469745
		01139082	1	AP1000709	4014486470970
		01139083	1	AP1000738	4014486471335
		01139084	1	AP1000755	4014486471557
		01139085	1	AP1000784	4014486472004
		01139086	1	AP1000797	4014486472165
		01139088	1	AP1000864	4014486473025
		01139089	1	AP1000902	4014486473483
		01139090	1	AP1000926	4014486473766
		01139091	1	AP1003568	4014486473940
		01139092	1	AP1000943	4014486473971
		01139093	1	AP1000948	4014486474039
		01139204	1	AP1002257	4014486478242
		01139205	1	AP1002275	4014486478433
		01139206	1	AP1002278	4014486478464
		01139207	1	AP1002111	4014486476101
		01139209	1	AP1002232	4014486477948
		01139210	1	AP1003312	4014486477993
		01139213	1	AP1002260	4014486478273
		01139224	1	AP1004752	4014486719109
		01139227	1	AP1002045	4014486475210
		01139228	1	AP1004884	4014486719130
		01139230	1	AP1004885	4014486719154
		01139231	1	AP1002051	4014486475289
		01139232	1	AP1002055	4014486475326
		01139234	1	AP1002065	4014486475456
		01139235	1	AP1002080	4014486475708
		01139237	1	AP1002081	4014486475715
		01139240	1	AP1002152	4014486476705
		01139241	1	AP1002193	4014486477412
		01139242	1	AP1002200	4014486477504
		01139243	1	AP1000438	4014486467055
		01139244	1	AP1000439	4014486467062
		01139245	1	AP1000442	4014486467093
		01139246	1	AP1000443	4014486467109
		01139247	1	AP1000445	4014486467123
		01139248	1	AP1000448	4014486467154
		01139250	1	AP1005142	4044978203441
		01139251	1	AP1000469	4014486467406



DEUTZ-FAHR

NR.	DRIVE	PART NUMBER	SET	AP NR.	EAN
		01139252	1	AP1000545	4014486468298
		01139253	1	AP1002210	4014486477610
		01139254	1	AP1002215	4014486477665
		01139256	1	AP1002230	4014486477924
		01139258	1	AP1002245	4014486478112
		01139259	1	AP1002246	4014486478129
		01139260	1	AP1002251	4014486478181
		01139300	1	AP1002061	4014486475418
		01139301	1	AP1000779	4014486471915
		01139634	1	AP1002106	4014486476033
		01141373	1	AP1000675	4014486470475
		01141503	1	AP1001698	4014486486742
		01141530	1	AP1000435	4014486467024
		01141554	1	AP1000535	4014486468151
		01141555	1	AP1004755	4014486719185
		01141556	1	AP1002117	4014486476170
		1141595	2	AP1002907	4014486471304
		1141608	1	AP1001637	4014486485868
		1141622	1	AP1003355	4014486470321
		1141623	1	AP1002239	4014486478044
		1141626	2	AP1000697	4014486470789
		1141642	1	AP1002108	4014486476057
		1141643	1	AP1000735	4014486471311
		1141644	1	AP1000812	4014486472363
		1141666	1	AP1000794	4014486472134
		1141758	1	AP1000694	4014486470734
		1141765	1	AP1000366	4014486466287
		1141770	1	AP1000639	4014486469974
		1141788	2	AP1000258	4014486464061
		1141789	1	AP1003462	4014486466966
		1141792	1	AP1001807	4014486488180
		1141792	1	AP1001807	4014486488180
		1141798	1	AP1005147	4044978203496
		1141801	1	AP1002101	4014486475975
		1141816	1	AP1001630	4014486485738
		1141818	1	AP1002100	4014486475951
		1141819	1	AP1001644	4014486485967
		1141823	1	AP1000772	4014486471809
		1141840	1	AP1000356	4014486466133
		1141850	1	AP1000398	4014486466614
		1141882	1	AP1000654	4014486470178
		1141894	1	AP1000706	4014486470925
		1141917	1	AP1000659	4014486470239
		1141918	1	AP1001650	4014486486025
		1141938	1	AP1000615	4014486469530
		1141958	1	AP1000682	4014486470581
		1142150	1	AP1003536	4014486470598
		1143410	2	AP1003415	4014486463637
		1143412	2	AP1002909	4014486471779
		1143497	1	AP1000398	4014486466614
		1145003	1	AP1000346	4014486465983
		1145026	1	AP1001541	4014486460605
		1145047	1	AP1000240	4014486463484
		1145051	2	AP1004425	4014486714968
		1145052	1	AP1000350	4014486466065
		1145053	1	AP1000434	4014486467017
		1145054	1	AP1000427	4014486466904



DEUTZ-FAHR

NR.	DRIVE	PART NUMBER	SET	AP NR.	EAN
		1145055	1	AP1000825	4014486472516
		1145143	1	AP1003355	4014486470321
		1145186	1	AP1000764	4014486471670
		1145203	1	AP1000657	4014486470215
		1145211	2	AP1000768	4014486471755
		1145214	1	AP1000308	4014486465167
		1145215	1	AP1000324	4014486465488
		1145216	1	AP1000354	4014486466119
		1145218	1	AP1000408	4014486466713
		1145226	1	AP1001657	4014486486117
		1145260	1	AP1001612	4014486485400
		1145262	1	AP1001595	4014486675481
		1145263	1	AP1000407	4014486466706
		1145318	1	AP1002046	4014486475227
		1145330	1	AP1001636	4014486485844
		1145335	1	AP1000847	4014486472769
		1145348	1	AP1004854	4014486719659
		1145367	2	AP1000091	4014486460896
		1145368	1	AP1004565	4014486718478
		1145374	1	AP1001541	4014486460605
		1145449	1	AP1000635	4014486469899
		1145461	1	AP1000685	4014486470635
		1145462	1	AP1003532	4014486470413
		1145465	1	AP1001164	4014486497458
		1145475	2	AP1000689	4014486470673
		1145481	1	AP1000780	4014486471892
		1145484	1	no AP	
		1145504	1	AP1000683	4014486470604
		1145505	1	AP1000671	4014486470390
		1145625	1	AP1000254	4014486464009
		1145627	1	AP1004658	4014486718720
		1145630	1	AP1004139	4014486523195
		1145631	3	AP1000295	4014486464870
		1145633	1	AP1000799	4014486472189
		1145640	1	AP1001734	4014486487183
		1145667	1	AP1001622	4014486485554
		1145685	4	AP1000293	4014486464849
		1145697	1	AP1000393	4014486466560
		1145699	1	AP1000564	4014486468694
		1145703	1	AP1004545	4014486719666
		1145725	3	AP1002854	4014486464672
		1145738	1	AP1000629	4014486469790
		1145766	1	AP1004902	
		1145782	4	AP1000273	4014486464436
		1145790	2	AP1000240	4014486463484
		1145792	1	AP1000770	4014486471762
		1145823	1	AP1002090	4014486475838
		1145877	1	AP1004543	4014486719635
		1145884	1	AP1000685	4014486470635
		1145921	1	AP1000042	4014486460797
		1145922	1	AP1000855	4014486472882
		1145937	2	AP1002914	4014486484878
		1145940	3	AP1002844	4014486464122
		1145949	1	AP1000776	4014486471854
		1145959	2	AP1000251	4014486463897
		1145960	3	AP1005134	4044978203366
		1145961	1	AP1001821	4014486488395



DEUTZ-FAHR

NR.	DRIVE	PART NUMBER	SET	AP NR.	EAN
		1145970	1	AP1000043	4014486460803
		1145973	4	AP1002761	4014486465044
		1145977	1	AP1000268	4014486464283
		1145980	2	AP1004507	4014486717136
		1145989	2	AP1000331	4014486465693
		1145990	1	AP1000560	4014486468595
		1145991	1	AP1004093	4014486475791
		1146013	1	AP1000301	4014486465006
		1146027	1	AP1004436	4014486715354
		1146032	1	AP1001742	4014486487268
		1146045	1	AP1004419	4014486714869
		1160990	1	AP1002459	4014486493429
		1162717	1	AP1002526	4014486494440
		1163087	2	AP1000029	4014486483512
		1168304	1	AP1002457	4014486493405
		1169885	1	AP1002448	4014486493283
		1169889	1	AP1002537	4014486494600
		1179132	1	AP1000545	4014486468298
		1180447	1	AP1001041	4014486498110
		1180448	1	AP1001042	4014486498127
		1180450	1	AP1001045	4014486498158
		1180913	1	no AP	
		1181260	1	AP1001044	4014486498141
		1181730	1	AP1000981	4014486483611
		1181748	1	AP1004312	4014486715910
		1181768	1	AP1004313	4014486715927
		1182044	1	no AP	
		1182600	1	AP1004312	4014486715910
		1182726	1	AP1004688	4014486715934
		1182727	1	AP1004688	4014486715934
		1182767	1	AP1004318	4014486715972
		1183002	1	AP1004938	4014486895353
		1183146	1	AP1004934	4014486882995
		1183152	1	AP1004688	4014486715934
		1183156	1	AP1004315	4014486715941
		1183157	1	AP1004938	4014486895353
		1231688	1	AP1000813	4014486472370
		1231696	1	AP1000819	4014486472455
		1231697	1	AP1000838	4014486472653
		1339252	1	AP1003484	4014486468281
		1397518	4	AP1002102	4014486475982
		1397596	2	AP1000581	4014486468984
		1397776	3	AP1004883	4014486714630
		1397850	4	AP1000224	4014486462913
		1445465	1	no AP	
		2929933	1	no AP	
		2931480	1	no AP	
		3210969	1	AP1000540	4014486468229
		4437549	1	AP1001050	4014486498202
		4437867	1	no AP	
		4439434	1	no AP	
		4453084	1	AP1000981	4014486483611
		6204283	1	AP1000044	4014486483635
		6204284	4	AP1002057	4014486475357
		6204285	4	AP1002069	4014486475517
		6204286	4	AP1002071	4014486475579
		6204287	4	AP1002067	4014486475470



DEUTZ-FAHR

NR.	DRIVE	PART NUMBER	SET	AP NR.	EAN
		6204288	5	AP1002075	4014486475647
		6204289	1	AP1000509	4014486467871
		6204291	1	AP1000652	4014486470154
		6204295	1	AP1000529	4014486468090
		6204296	1	AP1000978	4014486474381
		6204297	1	AP1000979	4014486474398
		6204300	5	AP1000444	4014486467116
		6204305	3	AP1000440	4014486467079
		6204310	1	AP1003477	4014486467604
		6204314	1	AP1002163	4014486476866
		6204315	1	AP1000464	4014486467345
		6204317	1	AP1000462	4014486467321
		6204318	1	AP1000475	4014486467468
		6204322	1	AP1000906	4014486473537
		6204324	2	AP1002177	4014486477177
		6204325	1	AP1000455	4014486467246
		6204326	1	AP1000471	4014486467420
		6204327	1	AP1000474	4014486467451
		6204329	1	AP1000479	4014486467505
		6204331	1	AP1002127	4014486476309
		6204332	1	AP1000961	4014486474190
		6204333	1	AP1000958	4014486474152
		6204334	1	AP1003605	4014486485561
		6204335	1	AP1000957	4014486474145
		6210851	2	AP1000682	4014486470581
		6210853	2	AP1000406	4014486466690
		6210869	1	AP1003377	4014486461435
		6210870	1	AP1004108	4014486522839
		6210874	1	AP1000190	4014486462203
		6210880	1	AP1000199	4014486462364
		6210881	1	AP1000201	4014486462395
		6210889	1	AP1000237	4014486463408
		6210890	1	AP1003410	4014486463477
		6210894	1	AP1000261	4014486464177
		6210904	2	AP1000313	4014486465273
		6210906	1	AP1000318	4014486465372
		6210912	1	AP1000330	4014486465662
		6210913	1	AP1000331	4014486465693
		6210915	1	AP1000339	4014486520217
		6210916	1	AP1005136	4044978203380
		6210917	1	AP1000343	4014486465921
		6210918	1	AP1000344	4014486465952
		6210919	1	AP1000349	4014486466041
		6210921	1	AP1000356	4014486466133
		6210922	1	AP1005139	4044978203410
		6210923	1	AP1000364	4014486466232
		6210924	1	AP1000370	4014486466331
		6210925	1	AP1000375	4014486466379
		6210927	1	AP1000390	4014486466539
		6210929	1	AP1000418	4014486466812
		6210930	1	AP1000428	4014486466928
		6210932	1	AP1000493	4014486467659
		6210934	1	AP1000496	4014486467703
		6210938	1	AP1000497	4014486467727
		6210939	1	AP1000498	4014486467734
		6210941	1	AP1000499	4014486467741
		6210943	1	AP1000502	4014486467772



DEUTZ-FAHR

NR.	DRIVE	PART NUMBER	SET	AP NR.	EAN
		6210947	1	AP1003479	4014486467819
		6210951	1	AP1000510	4014486467888
		6210953	1	AP1000513	4014486467925
		6210954	1	AP1000516	4014486467956
		6210955	1	AP1000517	4014486467970
		6210957	1	AP1000518	4014486467987
		6210960	1	AP1000523	4014486468038
		6210963	1	AP1000526	4014486468069
		6210969	1	AP1000540	4014486468229
		6210970	1	AP1000548	4014486468359
		6210971	1	AP1003492	4014486468465
		6210973	1	AP1000584	4014486469028
		6210973	1	AP1000584	4014486469028
		6210975	1	AP1000599	4014486469318
		6210977	1	AP1003504	4014486469127
		6210978	1	AP1000596	4014486469257
		6210981	1	AP1005145	4044978203472
		6210984	1	AP1003516	4014486469677
		6210986	1	AP1000632	4014486469851
		6210988	1	AP1000646	4014486470062
		6210989	1	AP1000647	4014486470079
		6210990	1	AP1000654	4014486470178
		6210991	1	AP1000660	4014486470246
		6210992	1	AP1000670	4014486470383
		6210993	1	AP1003531	4014486470406
		6210994	1	AP1004120	4014486522945
		6210996	1	AP1003536	4014486470598
		6210997	1	AP1000702	4014486470857
		6210999	1	AP1000724	4014486471168
		6211001	1	AP1000751	4014486471496
		6211003	1	AP1000763	4014486471649
		6211004	1	AP1000769	4014486471748
		6211006	1	AP1000779	4014486471915
		6211009	1	AP1000814	4014486472387
		6211010	1	AP1000826	4014486472523
		6211014	1	AP1000879	4014486473193
		6211016	1	AP1000884	4014486473247
		6211019	1	AP1000889	4014486520286
		6211020	1	AP1000890	4014486473322
		6211023	1	AP1000892	4014486473346
		6211024	1	AP1000896	4014486473384
		6211025	1	AP1000897	4014486473407
		6211026	1	AP1000899	4014486473438
		6211026	1	AP1000899	4014486473438
		6211027	1	AP1000901	4014486473476
		6211031	1	AP1000907	4014486473544
		6211032	1	AP1000914	4014486473636
		6211033	1	AP1000920	4014486473698
		6211034	1	AP1000923	4014486473728
		6211041	1	AP1000944	4014486473995
		6211042	1	AP1000945	4014486474008
		6211043	1	AP1000947	4014486474022
		6211046	1	AP1000951	4014486474060
		6211053	1	AP1000893	4014486473353
		6212828	2	AP1004754	4014486719123
		6212833	4	AP1002103	4014486475999
		6212839	1	AP1002258	4014486478259



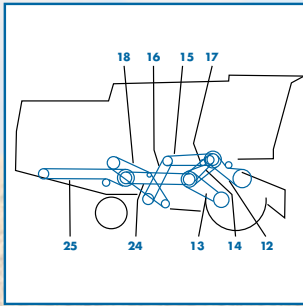
DEUTZ-FAHR

NR.	DRIVE	PART NUMBER	SET	AP NR.	EAN
		6212840	1	AP1002259	4014486478266
		6212842	1	AP1002261	4014486478280
		6212843	1	AP1002262	4014486478297
		6212845	1	AP1002264	4014486478310
		6212855	1	AP1002279	4014486478471
		6212866	1	AP1002049	4014486475258
		6212870	1	AP1004886	4014486719161
		6212871	1	AP1002055	4014486475326
		6212872	1	AP1002055	4014486475326
		6212874	1	AP1002059	4014486475371
		6212883	1	AP1002077	4014486475678
		6212885	1	AP1002078	4014486475685
		6212890	1	AP1002083	4014486475739
		6212894	1	AP1002093	4014486475869
		6212895	1	AP1002105	4014486476026
		6212896	1	AP1002109	4014486476064
		6212900	1	AP1000245	4014486463712
		6212907	1	AP1002199	4014486477498
		6212909	1	AP1000437	4014486467048
		6212915	1	AP1000447	4014486467147
		6212918	1	AP1000461	4014486467314
		6212919	1	AP1000463	4014486467338
		6212924	1	AP1002211	4014486477627
		6212925	1	AP1002220	4014486477764
		6212927	1	AP1003314	4014486477832
		6212932	1	AP1003688	4014486477979
		6212933	1	AP1002235	4014486477986
		6214290	1	AP1000531	4014486468113
		6215191	1	AP1001035	4014486496345
		6215192	1	AP1001036	4014486496352
		6215193	1	AP1001037	4014486496369
		6215194	1	no AP	
		6215218	1	no AP	
		6215219	1	AP1000977	4014486474374
		6215225	1	no AP	
		6215228	1	AP1004494	4014486718232
		6215231	1	AP1001638	4014486485882
		6215234	1	AP1001696	4014486486728
		6215235	1	AP1001699	4014486486759
		6215236	1	AP1001679	4014486486483
		6215238	1	AP1001628	4014486485684
		6215239	1	AP1001601	4014486485233
		6215240	1	AP1003337	4014486484847
		6215241	1	AP1001691	4014486486650
		6215242	1	AP1001686	4014486486599
		6215243	1	AP1003616	4014486486667
		6215248	1	AP1001901	4014486489613
		6215249	1	AP1004576	4014486717686
		6215251	1	AP1004580	4014486717723
		6215254	1	AP1001810	4014486488227
		6215257	1	AP1005090	4014486990546
		6228207	4	AP1002098	4014486475913
		6235567	2	AP1002228	4014486477887
		6240407	1	AP1004845	4014486721386
		6241147	2	AP1000468	4014486467390
		6241910	2	AP1002229	4014486477917
		6242124	2	AP1005142	4044978203441

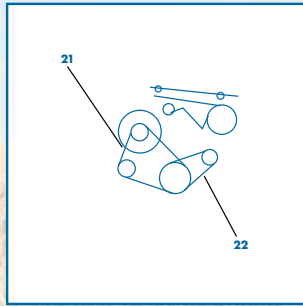


DEUTZ-FAHR

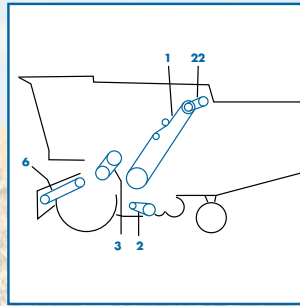
NR.	DRIVE	PART NUMBER	SET	AP NR.	EAN
1302 H					
5	SHAKER SHOE FAN DRIVE	1139241	1	AP1002193	4014486477412
7	CHOPPER TRANSMISSION	1129970	1	AP1002247	4014486478143
6095 HTS					
19		1146076	1	AP1004922	4014486868685
M 1000					
5	RETURN ELEVATOR DRIVE	6240268	1	AP1001372	4014486474862
13	REEL DRIVE COUNTERSHAFT	6215196	1	AP1001064	4014486496482
15	COUNTERSHAFT - FAN DRIVE	6215199	1	AP1001071	4014486496550
16	ALTERNATOR DRIVE	1139218	1	AP1002465	4014486493504
17	RADIATOR FAN DRIVE	1139221	1	AP1002478	4014486493696
19	THRESHING DRUM VARIATOR DRIVE	6215222	1	AP1001223	4014486497786
	REEL DRIVE VARIABLE SPEED	6215217	1	AP1001157	4014486497366
M 1000 - M 1200					
10	HYDRAULIC STEERING	1139231	1	AP1002051	4014486475289
M 1002					
1	ENGINE - COUNTERSHAFT / M1002	6215237	1	AP1003655	4014486489651
2	COUNTERSHAFT - FAN DRIVE	6215197	1	AP1001066	4014486496505
3	THRESHING DRUM VARIATOR DRIVE	6215220	1	AP1001222	4014486497779
4	REEL DRIVE VARIABLE SPEED	6215217	1	AP1001157	4014486497366
7	COUNTERSHAFT - TRAVEL SPEED VARIATOR /-4232 M900-1002	6215213	1	AP1001519	4014486460384
11	COUNTERSHAFT - STRAW STRIPPER DRUM	6215250	1	AP1001833	4014486488562
	ALTERNATOR DRIVE (ENGINE) / -1980 M1002	2235179	1	AP1002460	4014486493436
	ALTERNATOR DRIVE (ENGINE) /+1981 M1002/1080	2235180	1	AP1002462	4014486493467
	BLOWER DRIVE (ENGINE) / M1002	2235533	1	AP1002482	4014486493788
M 1102					
5	COUNTERSHAFT - RETURN ELEVATOR	6240268	1	AP1001372	4014486474862
9	CHOPPER DRIVE	1136747	1	AP1002240	4014486478051
11	FAN DRIVE VARIABLE SPEED	6215199	1	AP1001071	4014486496550
12	THRESHING DRUM VARIATOR DRIVE	6215222	1	AP1001223	4014486497786
13	BLOWER DRIVE	2235254	1	AP1002483	4014486493801
14	ALTERNATOR DRIVE	2235180	1	AP1002462	4014486493467
	REEL DRIVE VARIABLE SPEED	6215217	1	AP1001157	4014486497366
M 1200					
5	RETURN ELEVATOR DRIVE	6240268	1	AP1001372	4014486474862
13	REEL DRIVE COUNTERSHAFT	6215196	1	AP1001064	4014486496482
15	COUNTERSHAFT - FAN DRIVE	6215199	1	AP1001071	4014486496550
16	ALTERNATOR DRIVE	1139218	1	AP1002465	4014486493504
17	RADIATOR FAN DRIVE	1139221	1	AP1002478	4014486493696
19	THRESHING DRUM VARIATOR DRIVE	6215222	1	AP1001223	4014486497786
	REEL DRIVE VARIABLE SPEED	6215217	1	AP1001157	4014486497366
M 1202					
5	COUNTERSHAFT - RETURN ELEVATOR	6240268	1	AP1001372	4014486474862
9	CHOPPER DRIVE	1136747	1	AP1002240	4014486478051
11	FAN DRIVE VARIABLE SPEED	6215199	1	AP1001071	4014486496550
12	THRESHING DRUM VARIATOR DRIVE	6215222	1	AP1001223	4014486497786
13	BLOWER DRIVE	2235254	1	AP1002483	4014486493801
14	ALTERNATOR DRIVE	2235180	1	AP1002462	4014486493467
	REEL DRIVE VARIABLE SPEED	6215217	1	AP1001157	4014486497366



M2385 LEFT



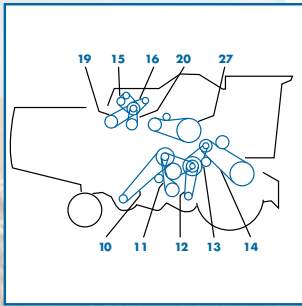
M2385 MIDDLE



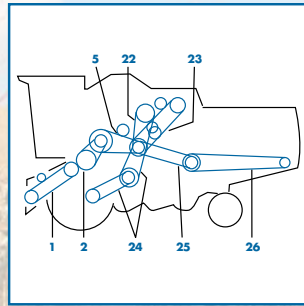
M2385 RIGHT

DEUTZ-FAHR

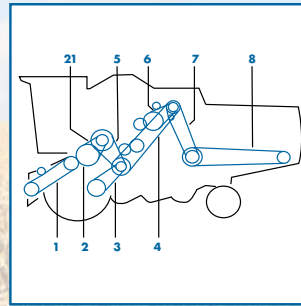
NR.	DRIVE	PART NUMBER	SET	AP NR.	EAN
M 1300					
3	THRESHING DRUM VARIATOR DRIVE	6215221	1	AP1001227	4014486497823
3	THRESHING DRUM VARIATOR DRIVE	6215222	1	AP1001223	4014486497786
5	SHAKER SHOE FAN DRIVE	1139241	1	AP1002193	4014486477412
7	CHOPPER TRANSMISSION	1129970	1	AP1002247	4014486478143
15	TRACTION VARIATOR DRIVE	6215222	1	AP1001223	4014486497786
	REEL DRIVE VARIABLE SPEED	6215217	1	AP1001157	4014486497366
M 1302					
3	THRESHING DRUM VARIATOR DRIVE	6215221	1	AP1001227	4014486497823
3	THRESHING DRUM VARIATOR DRIVE	6215222	1	AP1001223	4014486497786
5	SHAKER SHOE FAN DRIVE	1139241	1	AP1002193	4014486477412
7	CHOPPER TRANSMISSION	1129970	1	AP1002247	4014486478143
15	TRACTION VARIATOR DRIVE	6215222	1	AP1001223	4014486497786
	REEL DRIVE VARIABLE SPEED	6215217	1	AP1001157	4014486497366
M 1302 H					
3	THRESHING DRUM VARIATOR DRIVE	6215221	1	AP1001227	4014486497823
3	THRESHING DRUM VARIATOR DRIVE	6215222	1	AP1001223	4014486497786
15	TRACTION VARIATOR DRIVE	6215222	1	AP1001223	4014486497786
	REEL DRIVE VARIABLE SPEED	6215217	1	AP1001157	4014486497366
M 1600					
3	THRESHING DRUM VARIATOR DRIVE	6215221	1	AP1001227	4014486497823
3	THRESHING DRUM VARIATOR DRIVE	6215222	1	AP1001223	4014486497786
5	SHAKER SHOE FAN	1139242	1	AP1002200	4014486477504
7	ENGINE - ALTERNATOR	1139216	1	AP1002458	4014486493412
		1141613	1	AP1001749	4014486487329
		1141645	1	AP1003620	4014486486957
		2234343	2	AP1002485	4014486493856
M 1620					
3	THRESHING DRUM VARIATOR DRIVE	6215221	1	AP1001227	4014486497823
3	THRESHING DRUM VARIATOR DRIVE	6215222	1	AP1001223	4014486497786
5	SHAKER SHOE FAN	1139242	1	AP1002200	4014486477504
7	ENGINE - ALTERNATOR	1139216	1	AP1002458	4014486493412
		1141613	1	AP1001749	4014486487329
		1141645	1	AP1003620	4014486486957
		2234343	2	AP1002485	4014486493856
M 1630					
3	THRESHING DRUM VARIATOR DRIVE	6215221	1	AP1001227	4014486497823
3	THRESHING DRUM VARIATOR DRIVE	6215222	1	AP1001223	4014486497786
5	SHAKER SHOE FAN	1139242	1	AP1002200	4014486477504
7	ENGINE - ALTERNATOR	1139216	1	AP1002458	4014486493412
		1141613	1	AP1001749	4014486487329
		1141645	1	AP1003620	4014486486957
		2234343	2	AP1002485	4014486493856
M 2385					
1	MAIN DRIVE	6285949	1	AP1001916	4014486489828
2	COUNTERSHAFT - FAN DRIVE	6215197	1	AP1001066	4014486496505
3	STRAW STRIPPER DRUM - THRESHING DRUM	6215220	1	AP1001222	4014486497779
6	FEEDER CHANNEL - COUNTERSHAFT	6215205	1	AP1001100	4014486496826
12	STRAW STRIPPER DRUM - FEED CHANNEL	6215204	1	AP1001097	4014486496796
13	COUNTERSHAFT - TRAVEL SPEED VARIATOR	6215216	1	AP1001522	4014486460414



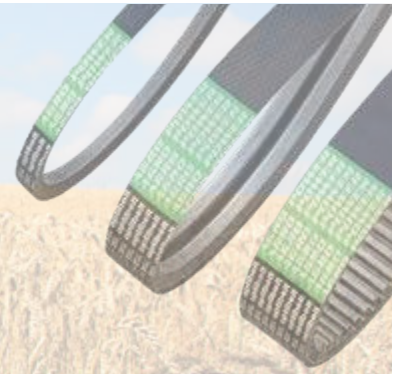
M2480 - M2780 LEFT



M2480 - M2780 MIDDLE



M2480 - M2780 RIGHT



DEUTZ-FAHR

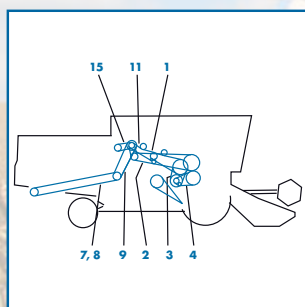
NR.	DRIVE	PART NUMBER	SET	AP NR.	EAN
22	ALTERNATOR DRIVE	2235180	1	AP1002462	4014486493467
	REEL DRIVE VARIABLE SPEED	6215217	1	AP1001157	4014486497366

M 2480

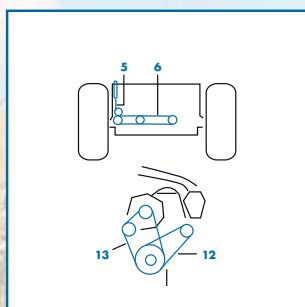
1	FEEDER CHANNEL - COUNTERSHAFT	6215205	1	AP1001100	4014486496826
2	STRAW STRIPPER DRUM - THRESHING DRUM	6215220	1	AP1001222	4014486497779
3	DRIVING SPEED VARIATOR / M2580-M2685	6215214	1	AP1001517	4014486460360
4	ENGINE - COUNTERSHAFT / M2580.2680.2780H	6215258	1	AP1001912	4014486489750
5	COUNTERSHAFT - STRAW STRIPPER DRUM	6215253	1	AP1001843	4014486488722
7	ENGINE - CHOPPER TRANSMISSION / +102	6215245	1	AP1001763	4014486487466
8	CHOPPER TRANSMISSION / M2685.2780H.2780	1139260	1	AP1002251	4014486478181
8	CHOPPER TRANSMISSION / M2580.2680	1139258	1	AP1002245	4014486478112
10	COUNTERSHAFT - RETURN ELEVATOR	6210922	1	AP1005139	4044978203410
10	COUNTERSHAFT - RETURN ELEVATOR	6210922	1	AP1005139	4044978203410
11	COUNTERSHAFT - WALKER + SHAKER SHOE DRIVE	6215255	1	AP1003331	4014486489224
12	COUNTERSHAFT - FAN DRIVE	6215202	1	AP1001420	4014486459272
14	STRIPPER DRUM - FEED CHANNEL / M2480-M2680	6215203	1	AP1001094	4014486496765
15	BLOWER DRIVE / M2480 - M2680	2235532	2	AP1002482	4014486493788
16	ALTERNATOR DRIVE	2235180	1	AP1002462	4014486493467
19	ENGINE - COMPRESSOR	1139233	1	AP1002558	4014486495034
20	ENGINE - FAN / M2480 - M2685	1139204	1	AP1002257	4014486478242
23	ENGINE - COUNTERSHAFT / M2480	6215257	1	AP1005090	4014486990546
24	TRAVEL SPEED VARIATOR	6215209	2	AP1001472	4014486459821
26	CHOPPER TRANSMISSION - CHOPPER / M2480	1139259	1	AP1002246	4014486478129
	REEL DRIVE VARIABLE SPEED	6215217	1	AP1001157	4014486497366

M 2780

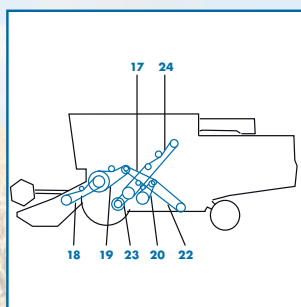
1	FEEDER CHANNEL - COUNTERSHAFT	6215205	1	AP1001100	4014486496826
2	STRAW STRIPPER DRUM - THRESHING DRUM	6215220	1	AP1001222	4014486497779
3	DRIVING SPEED VARIATOR / M2580-M2685	6215214	1	AP1001517	4014486460360
4	ENGINE - COUNTERSHAFT / M2580.2680.2780H	6215258	1	AP1001912	4014486489750
4	ENGINE - COUNTERSHAFT / M2685.2780	6215262	1	AP1002022	4014486491579
5	COUNTERSHAFT - STRAW STRIPPER DRUM	6215253	1	AP1001843	4014486488722
7	ENGINE - CHOPPER TRANSMISSION / +102	6215245	1	AP1001763	4014486487466
8	CHOPPER TRANSMISSION / M2580.2680	1139258	1	AP1002245	4014486478112
8	CHOPPER TRANSMISSION / M2685.2780H.2780	1139260	1	AP1002251	4014486478181
10	COUNTERSHAFT - RETURN ELEVATOR	6210922	1	AP1005139	4044978203410
10	COUNTERSHAFT - RETURN ELEVATOR	6210922	1	AP1005139	4044978203410
11	COUNTERSHAFT - WALKER + SHAKER SHOE DRIVE	6215255	1	AP1003331	4014486489224
12	COUNTERSHAFT - FAN DRIVE	6215202	1	AP1001420	4014486459272
15	BLOWER DRIVE / M2685 - 2780H.2780	2234343	2	AP1002485	4014486493856
16	ALTERNATOR DRIVE	2235180	1	AP1002462	4014486493467
19	ENGINE - COMPRESSOR	1139233	1	AP1002558	4014486495034
20	ENGINE - FAN / M2480 - M2685	1139204	1	AP1002257	4014486478242
26	CHOPPER TRANSMISSION - CHOPPER / M2480	1139259	1	AP1002246	4014486478129
	REEL DRIVE VARIABLE SPEED	6215217	1	AP1001157	4014486497366



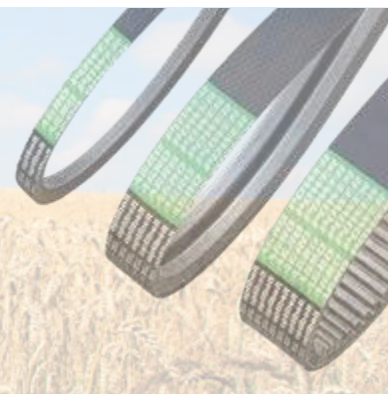
M 3570 - M 3578 LEFT



M 3570 - M 3578 MIDDLE



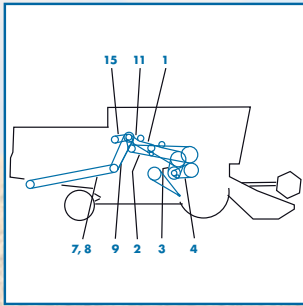
M 3570 - M 3578 RIGHT



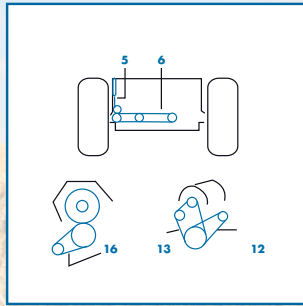
DEUTZ-FAHR

NR.	DRIVE	PART NUMBER	SET	AP NR.	EAN
M 3570					
1	STRAW STRIPPER DRUM	1141591	1	AP1001902	4014486489620
3	THRESHING DRUM VARIATOR DRIVE	6215222	1	AP1001223	4014486497786
5	STRAW WALKERS TRANSMISSION - FAN	1139241	1	AP1002193	4014486477412
8	STRAW CHOPPER - STRAW HOOD	1141645	1	AP1003620	4014486486957
12	ALTERNATOR DRIVE	2235180	1	AP1002462	4014486493467
13	BLOWER DRIVE	2234343	2	AP1002485	4014486493856
23	TRAVEL SPEED VARIATOR	6215223	1	AP1001223	4014486497786
24	ENGINE - COUNTERSHAFT	6215244	1	AP1001787	4014486487756
		1141971	1	AP1001224	4014486497793
	REEL DRIVE VARIABLE SPEED	6215217	1	AP1001157	4014486497366
M 3578					
1	STRAW STRIPPER DRUM	1141591	1	AP1001902	4014486489620
3	THRESHING DRUM VARIATOR DRIVE	6215222	1	AP1001223	4014486497786
5	STRAW WALKERS TRANSMISSION - FAN	1139241	1	AP1002193	4014486477412
8	STRAW CHOPPER - STRAW HOOD	1141645	1	AP1003620	4014486486957
11	ENGINE - GRAIN TANK CLUTCH / M3580	1141613	1	AP1001749	4014486487329
12	ALTERNATOR DRIVE	2235180	1	AP1002462	4014486493467
13	BLOWER DRIVE	2234343	2	AP1002485	4014486493856
23	TRAVEL SPEED VARIATOR	6215223	1	AP1001223	4014486497786
24	ENGINE - COUNTERSHAFT	6215244	1	AP1001787	4014486487756
	PICKING - ATTACHMENTS DRIVE (MAIZE)	1141615	1	AP1003624	4014486487589
		1141971	1	AP1001224	4014486497793
	REEL DRIVE VARIABLE SPEED	6215217	1	AP1001157	4014486497366
M 3580					
1		1139241	1	AP1002193	4014486477412
6		1141591	1	AP1001902	4014486489620
8		1141613	1	AP1001749	4014486487329
9	THRESHING DRUM VARIATOR DRIVE	6215222	1	AP1001223	4014486497786
10		1141971	1	AP1001224	4014486497793
M 3610					
2	REEL DRIVE VARIABLE SPEED	6215217	1	AP1001157	4014486497366
3		2235177	2	AP1002487	4014486493894
8	STRAW CHOPPER - STRAW HOOD / M3610	1141941	1	AP1001865	4014486489057
9		1141591	1	AP1001902	4014486489620
12		1141613	1	AP1001749	4014486487329
13	THRESHING DRUM VARIATOR DRIVE	6215222	1	AP1001223	4014486497786
14		1139241	1	AP1002193	4014486477412
15		1139242	1	AP1002200	4014486477504
16		1141645	1	AP1003620	4014486486957
17		2234343	2	AP1002485	4014486493856
18		2235180	1	AP1002462	4014486493467

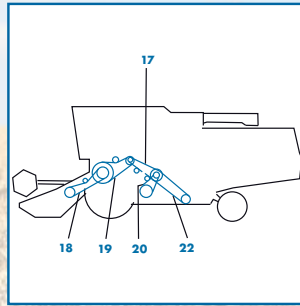
AG - BI, CA - CL, DE - DR, FE - FO, GL - GR, IN - JO, KP - KZ, LA - ME, NE - RO, SA - ST, VA - ZM, PARTS, SERVICE



M 3630 - M 3640 LEFT



M 3630 - M 3640 MIDDLE



M 3630 - M 3640 RIGHT

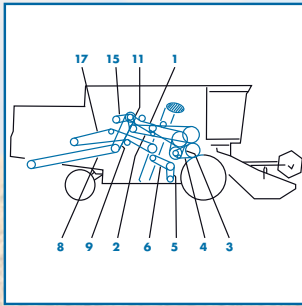
DEUTZ-FAHR

NR.	DRIVE	PART NUMBER	SET	AP NR.	EAN
M 3630					
3	THRESHING DRUM VARIATOR DRIVE	6215222	1	AP1001223	4014486497786
5	STRAW WALKERS TRANSMISSION - FAN	1139242	1	AP1002200	4014486477504
8	STRAW CHOPPER - STRAW HOOD / M3630/M3640	1141749	1	AP1001738	4014486487220
12	ALTERNATOR DRIVE / TYPE 6204	2235180	1	AP1002462	4014486493467
13	BLOWER DRIVE / -262 TYPE 6204	2234343	2	AP1002485	4014486493856
13	BLOWER DRIVE / +263 TYPE 6204	2235177	2	AP1002487	4014486493894
16	ALTERNATOR DRIVE / TYPE 6208	2235713	1	AP1002451	4014486493313
		1141510	1	AP1002013	4014486491432
		1141591	1	AP1001902	4014486489620
		1141613	1	AP1001749	4014486487329
	PICKING - ATTACHMENTS DRIVE (MAIZE)	1141615	1	AP1003624	4014486487589
		1141941	1	AP1001865	4014486489057
M 3640					
3	THRESHING DRUM VARIATOR DRIVE	6215222	1	AP1001223	4014486497786
5	STRAW WALKERS TRANSMISSION - FAN	1139242	1	AP1002200	4014486477504
8	STRAW CHOPPER - STRAW HOOD / M3630/M3640	1141749	1	AP1001738	4014486487220
12	ALTERNATOR DRIVE / TYPE 6204	2235180	1	AP1002462	4014486493467
13	BLOWER DRIVE / -262 TYPE 6204	2234343	2	AP1002485	4014486493856
13	BLOWER DRIVE / +263 TYPE 6204	2235177	2	AP1002487	4014486493894
16	ALTERNATOR DRIVE / TYPE 6208	2235713	1	AP1002451	4014486493313
		1141510	1	AP1002013	4014486491432
		1141591	1	AP1001902	4014486489620
		1141613	1	AP1001749	4014486487329
	PICKING - ATTACHMENTS DRIVE (MAIZE)	1141615	1	AP1003624	4014486487589
		1141941	1	AP1001865	4014486489057
M 600					
8	ELEVATOR DRIVE GRAIN	6210922	1	AP1005139	4044978203410
8	ELEVATOR DRIVE GRAIN	6210922	1	AP1005139	4044978203410
13	REEL DRIVE	6215195	1	AP1001062	4014486496468
14	RETURN ELEVATOR DRIVE	1100903	1	AP1000305	
15	RADIATOR FAN DRIVE	1139216	1	AP1002458	4014486493412
15	ALTERNATOR DRIVE	1139217	1	AP1002459	4014486493429
M 660					
9	STRAW WALKER - GRAIN AUGER	6210922	1	AP1005139	4044978203410
9	STRAW WALKER - GRAIN AUGER	6210922	1	AP1005139	4044978203410
16	REEL DRIVE COUNTERSHAFT	6215195	1	AP1001062	4014486496468
18	RETURN AUGER - VARIATOR	1100903	1	AP1000305	
21	BLOWER DRIVE	2235175	1	AP1002478	4014486493696
22	ALTERNATOR DRIVE	2235178	1	AP1002459	4014486493429
M 750					
9	ELEVATOR SHAKER GRAIN	6210922	1	AP1005139	4044978203410
9	ELEVATOR SHAKER GRAIN	6210922	1	AP1005139	4044978203410
12	REEL DRIVE	6215195	1	AP1001062	4014486496468
13	RETURN ELEVATOR DRIVE	1100903	1	AP1000305	
14	ALTERNATOR DRIVE	1139216	1	AP1002458	4014486493412
14	RADIATOR FAN DRIVE	1139220	1	AP1002475	4014486493627
M 770					
9	STRAW WALKER - GRAIN AUGER	6210922	1	AP1005139	4044978203410
9	STRAW WALKER - GRAIN AUGER	6210922	1	AP1005139	4044978203410
16	REEL DRIVE COUNTERSHAFT	6215195	1	AP1001062	4014486496468

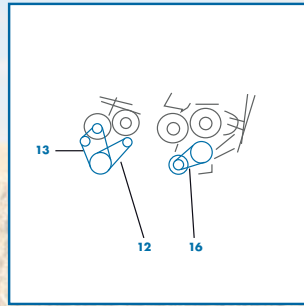


DEUTZ-FAHR

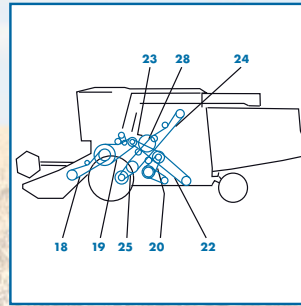
NR.	DRIVE	PART NUMBER	SET	AP NR.	EAN
18	RETURN AUGER - VARIATOR	1100903	1	AP1000305	
21	BLOWER DRIVE	2235175	1	AP1002478	4014486493696
22	ALTERNATOR DRIVE	2235178	1	AP1002459	4014486493429
M 88					
1		1100903	1	AP1000305	
4		6215195	1	AP1001062	4014486496468
M 88 S					
1		1100903	1	AP1000305	
4		6215195	1	AP1001062	4014486496468
M 900					
2	COUNTERSHAFT - FAN DRIVE	6215197	1	AP1001066	4014486496505
3	THRESHING DRUM VARIATOR DRIVE	6215220	1	AP1001222	4014486497779
4	REEL DRIVE VARIABLE SPEED	6215217	1	AP1001157	4014486497366
7	COUNTERSHAFT - TRAVEL SPEED VARIATOR /-4232 M900-1002	6215213	1	AP1001519	4014486460384
11	COUNTERSHAFT - STRAW STRIPPER DRUM	6215250	1	AP1001833	4014486488562
	ALTERNATOR DRIVE (ENGINE) /+2281 M900-980	2235178	1	AP1002459	4014486493429
	BLOWER DRIVE (ENGINE) / M900/922	2235531	1	AP1002475	4014486493627
M 922					
2	COUNTERSHAFT - FAN DRIVE	6215197	1	AP1001066	4014486496505
3	THRESHING DRUM VARIATOR DRIVE	6215220	1	AP1001222	4014486497779
4	REEL DRIVE VARIABLE SPEED	6215217	1	AP1001157	4014486497366
7	COUNTERSHAFT - TRAVEL SPEED VARIATOR /-4232 M900-1002	6215213	1	AP1001519	4014486460384
7	COUNTERSHAFT - TRAVEL SPEED VARIATOR /+4233 M980/1080	6215215	1	AP1001520	4014486460391
11	COUNTERSHAFT - STRAW STRIPPER DRUM	6215250	1	AP1001833	4014486488562
	BLOWER DRIVE (ENGINE) / M900/922	2235531	1	AP1002475	4014486493627
MEGA 218					
18	AT 4.5M - 5.1M	1139067	3	AP1000316	4014486465334
POWERLINER 4030					
1		6215217	1	AP1001157	4014486497366
2		2235254	1	AP1002483	4014486493801
9		1145261	1	AP1001827	4014486488487
10		6215258	1	AP1001912	4014486489750
12		1145224	1	AP1001072	4014486496567
13		1141971	1	AP1001224	4014486497793
POWERLINER 4035					
1		6215217	1	AP1001157	4014486497366
2		2235254	1	AP1002483	4014486493801
9		1145261	1	AP1001827	4014486488487
10		6215258	1	AP1001912	4014486489750
12		1145224	1	AP1001072	4014486496567
13		1141971	1	AP1001224	4014486497793
STARLINER 4040					
5		1141941	1	AP1001865	4014486489057
6		1141591	1	AP1001902	4014486489620
8		1141613	1	AP1001749	4014486487329
9		6215244	1	AP1001787	4014486487756
10	THRESHING DRUM VARIATOR DRIVE	6215222	1	AP1001223	4014486497786
12		1139241	1	AP1002193	4014486477412
13		1141645	1	AP1003620	4014486486957



TOPLINER 4060 - 4065 LEFT



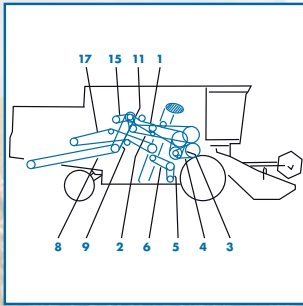
TOPLINER 4060 - 4065 MIDDLE



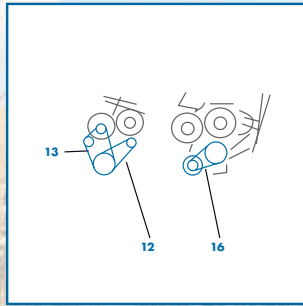
TOPLINER 4060 - 4065 RIGHT

DEUTZ-FAHR

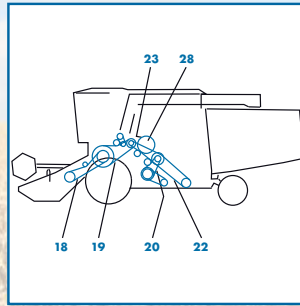
NR.	DRIVE	PART NUMBER	SET	AP NR.	EAN
14		1145331	1	AP1001075	4014486496598
15		2235180	1	AP1002462	4014486493467
STARLINER 4045					
5		1141941	1	AP1001865	4014486489057
6		1141591	1	AP1001902	4014486489620
8		1141613	1	AP1001749	4014486487329
9		6215244	1	AP1001787	4014486487756
10	THRESHING DRUM VARIATOR DRIVE	6215222	1	AP1001223	4014486497786
12		1139241	1	AP1002193	4014486477412
13		1141645	1	AP1003620	4014486486957
14		1145331	1	AP1001075	4014486496598
15		2235180	1	AP1002462	4014486493467
TOPLINER 4060					
1	ENGINE - STRAW STRIPPER DRUM	1145050	1	AP1001917	4014486489835
5	FAN DRIVE VARIABLE SPEED - CLEANING FAN	1145097	1	AP1001073	4014486496574
6	STRAW WALKER - VARIATOR	1145202	1	AP1001075	4014486496598
8	FOR STRAW CHOPPER INTEGRATED	1145187	1	AP1001740	4014486487244
8	FOR STRAW CHOPPER INTEGRATED	1145188	1	AP1001716	4014486486971
11	ENGINE - GRAIN TANK CLUTCH	1141613	1	AP1001749	4014486487329
12	ALTERNATOR DRIVE	2235180	1	AP1002462	4014486493467
13	BLOWER DRIVE	2234343	2	AP1002485	4014486493856
13	BLOWER DRIVE	2235177	2	AP1002487	4014486493894
18	PICKING - ATTACHMENTS DRIVE (MAIZE)	1145025	1	AP1001779	4014486520378
19	EQUIPMENT (MAIZE)	1141941	1	AP1001865	4014486489057
24	ENGINE - COUNTERSHAFT	1145102	1	AP1001788	4014486487763
25	TRAVEL SPEED VARIATOR	1141944	1	AP1001226	4014486497816
	SHAKER SHOE - WALKER TRANSMISSION	1143413	3	AP1002852	4014486464498
TOPLINER 4065					
1	ENGINE - STRAW STRIPPER DRUM	1145050	1	AP1001917	4014486489835
5	FAN DRIVE VARIABLE SPEED - CLEANING FAN	1145097	1	AP1001073	4014486496574
6	STRAW WALKER - VARIATOR	1145202	1	AP1001075	4014486496598
8	FOR STRAW CHOPPER INTEGRATED	1145187	1	AP1001740	4014486487244
8	FOR STRAW CHOPPER INTEGRATED	1145188	1	AP1001716	4014486486971
11	ENGINE - GRAIN TANK CLUTCH	1141613	1	AP1001749	4014486487329
12	ALTERNATOR DRIVE	2235180	1	AP1002462	4014486493467
13	BLOWER DRIVE	2234343	2	AP1002485	4014486493856
13	BLOWER DRIVE	2235177	2	AP1002487	4014486493894
18	PICKING - ATTACHMENTS DRIVE (MAIZE)	1145025	1	AP1001779	4014486520378
19	EQUIPMENT (MAIZE)	1141941	1	AP1001865	4014486489057
24	ENGINE - COUNTERSHAFT	1145102	1	AP1001788	4014486487763
25	TRAVEL SPEED VARIATOR	1141944	1	AP1001226	4014486497816
	SHAKER SHOE - WALKER TRANSMISSION	1143413	3	AP1002852	4014486464498



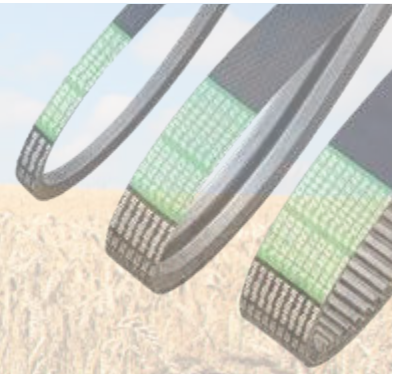
TOPLINER 4070 - 4075 LEFT



TOPLINER 4070 - 4075 MIDDLE



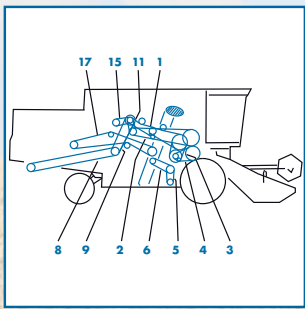
TOPLINER 4070 - 4075 RIGHT



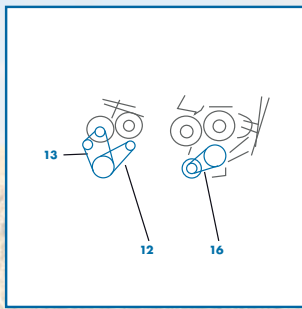
DEUTZ-FAHR

NR.	DRIVE	PART NUMBER	SET	AP NR.	EAN
TOPLINER 4070					
1	STRAW STRIPPER DRUM	1145056	1	AP1002028	4014486491630
1	STRAW STRIPPER DRUM	1145057	1	AP1001269	4014486492354
5	FAN DRIVE VARIABLE SPEED - CLEANING FAN	1145332	1	AP1001073	4014486496574
5	FAN DRIVE VARIABLE SPEED - CLEANING FAN	1145369	1	AP1001074	4014486496581
6	STRAW WALKER - VARIATOR	1145331	1	AP1001075	4014486496598
8	CHOPPER DRIVE	1145187	1	AP1001740	4014486487244
8	CHOPPER DRIVE	1145188	1	AP1001716	4014486486971
9	CHOPPER DRIVE	1145479	1	AP1001767	4014486487510
11	CLUTCH GRAIN TANK	1141613	1	AP1001749	4014486487329
12	ALTERNATOR DRIVE FOR 4070/4075	2235180	1	AP1002462	4014486493467
13	BLOWER DRIVE FOR 4070/4075	2235177	2	AP1002487	4014486493894
18	CUTTING TABLE DRIVE	1145025	1	AP1001779	4014486520378
19	FEEDER CHANNEL	1141941	1	AP1001865	4014486489057
19	FEEDER CHANNEL	1145329	1	AP1001863	4014486489026
	SHAKER SHOE DRIVE	1143413	3	AP1002852	4014486464498
TOPLINER 4075					
1	STRAW STRIPPER DRUM	1145056	1	AP1002028	4014486491630
1	STRAW STRIPPER DRUM	1145057	1	AP1001269	4014486492354
5	FAN DRIVE VARIABLE SPEED - CLEANING FAN	1145332	1	AP1001073	4014486496574
5	FAN DRIVE VARIABLE SPEED - CLEANING FAN	1145369	1	AP1001074	4014486496581
6	STRAW WALKER - VARIATOR	1145331	1	AP1001075	4014486496598
8	CHOPPER DRIVE	1145187	1	AP1001740	4014486487244
8	CHOPPER DRIVE	1145188	1	AP1001716	4014486486971
9	CHOPPER DRIVE	1145479	1	AP1001767	4014486487510
11	CLUTCH GRAIN TANK	1141613	1	AP1001749	4014486487329
12	ALTERNATOR DRIVE FOR 4070/4075	2235180	1	AP1002462	4014486493467
13	BLOWER DRIVE FOR 4070/4075	2235177	2	AP1002487	4014486493894
16	ALTERNATOR DRIVE FOR 4075/4080/4090	2237477	1	AP1002452	4014486493337
18	CUTTING TABLE DRIVE	1145025	1	AP1001779	4014486520378
19	FEEDER CHANNEL	1141941	1	AP1001865	4014486489057
19	FEEDER CHANNEL	1145329	1	AP1001863	4014486489026
	SHAKER SHOE DRIVE	1143413	3	AP1002852	4014486464498

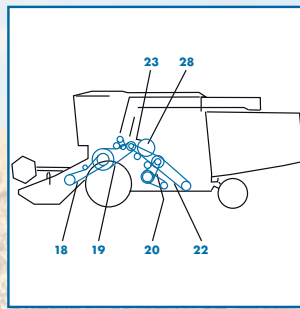
AG - BI
CA - CL
DE - DR
FE - FO
GL - GR
IN - JO
KP - KZ
LA - ME
NE - RO
SA - ST
VA - ZM
PARTS
SERVICE



TOPLINER 4080 - 4090 LEFT



TOPLINER 4080 - 4090 MIDDLE



TOPLINER 4080 - 4090 RIGHT

DEUTZ-FAHR

NR.	DRIVE	PART NUMBER	SET	AP NR.	EAN
TOPLINER 4080					
1	STRAW STRIPPER DRUM	1145056	1	AP1002028	4014486491630
1	STRAW STRIPPER DRUM	1145057	1	AP1001269	4014486492354
5	FAN DRIVE VARIABLE SPEED - CLEANING FAN	1145332	1	AP1001073	4014486496574
5	FAN DRIVE VARIABLE SPEED - CLEANING FAN	1145369	1	AP1001074	4014486496581
6	STRAW WALKER - VARIATOR	1145331	1	AP1001075	4014486496598
8	CHOPPER DRIVE	1145187	1	AP1001740	4014486487244
8	CHOPPER DRIVE	1145188	1	AP1001716	4014486486971
9	CHOPPER DRIVE	1145479	1	AP1001767	4014486487510
11	CLUTCH GRAIN TANK	1141615	1	AP1003624	4014486487589
16	ALTERNATOR DRIVE FOR 4075/4080/4090	2237477	1	AP1002452	4014486493337
18	CUTTING TABLE DRIVE	1145025	1	AP1001779	4014486520378
19	FEEDER CHANNEL	1141941	1	AP1001865	4014486489057
19	FEEDER CHANNEL	1145329	1	AP1001863	4014486489026
	SHAKER SHOE DRIVE	1143413	3	AP1002852	4014486464498
TOPLINER 4090					
1	STRAW STRIPPER DRUM	1145056	1	AP1002028	4014486491630
1	STRAW STRIPPER DRUM	1145057	1	AP1001269	4014486492354
5	FAN DRIVE VARIABLE SPEED - CLEANING FAN	1145332	1	AP1001073	4014486496574
5	FAN DRIVE VARIABLE SPEED - CLEANING FAN	1145369	1	AP1001074	4014486496581
6	STRAW WALKER - VARIATOR	1145331	1	AP1001075	4014486496598
8	CHOPPER DRIVE	1145187	1	AP1001740	4014486487244
8	CHOPPER DRIVE	1145188	1	AP1001716	4014486486971
9	CHOPPER DRIVE	1145479	1	AP1001767	4014486487510
11	CLUTCH GRAIN TANK	1141615	1	AP1003624	4014486487589
16	ALTERNATOR DRIVE FOR 4075/4080/4090	2237477	1	AP1002452	4014486493337
18	CUTTING TABLE DRIVE	1145025	1	AP1001779	4014486520378
19	FEEDER CHANNEL	1141941	1	AP1001865	4014486489057
19	FEEDER CHANNEL	1145329	1	AP1001863	4014486489026
	SHAKER SHOE DRIVE	1143413	3	AP1002852	4014486464498
TOPLINER 8XL					
1		1145744	1	AP1001309	4014486492699
9		1180173	1	AP1002468	4014486493542
11		1145742	1	AP1001299	4014486492521
14		1145332	1	AP1001073	4014486496574
15		1145724	1	AP1001076	4014486496604
18		1145865	1	AP1001991	4014486491111
19		1145866	1	AP1001926	4014486489941
24		1141904	1	AP1001457	4014486459654



DRONNINGBORG

NR.	DRIVE	PART NUMBER	SET	AP NR.	EAN
8300					
13		41990001	1	AP1002212	4014486477634
DRONNINGBORG					
		41926000	1	AP1000230	4014486463187
		41937500	2	AP1005136	4044978203380
4	HYDRAULIC PUMP DRIVE	41991400	1	AP1005149	4044978203571
6	STRAW CHOPPER DRIVE	41986500	1	AP1000805	4014486472271
7	COUNTERSHAFT DRIVE	41989100	1	AP1000915	4014486473643
8	FEEDER SHAFT (UPPER)	41988900	1	AP1000899	4014486473438
		41991400	1	AP1005149	
D 1200					
1	FILLING ELEVATOR	41935700	1	AP1000323	4014486465471
3	ELEVATOR - RETURN ELEVATOR GRAIN	41932600	1	AP1000289	4014486464757
4	COUNTERSHAFT DRIVE	41998900	1	no AP	
6	DRIVING GEAR	41996300	1	AP1002205	4014486477566
7	AWNER SHAFT	41974300	1	AP1001357	4014486474718
8	STRAW SHAKER	41966500	1	AP1003444	4014486465235
10	FEEDER SHAFT (UPPER)	41937300	1	AP1000339	4014486520217
11	KNIFE DRIVE	41964400	1	AP1000238	4014486463422
12	FEEDER AUGER	41953700	1	AP1003505	4014486469196
13	HYDRAULIC DRIVE VARIATOR	41996500	1	AP1002150	4014486476682
15	SPRING LOADED DRIVE VARIATOR	41994300	1	AP1001215	4014486497748
16	STRAW GUIDE	41926100	1	AP1000224	4014486462913
20	STRAW GUIDE	41996100	1	AP1002080	4014486475708
21	MAIN FAN VARIABLE SPEED DRIVE	41928100	1	AP1003415	4014486463637
22	MAIN FAN	41930300	1	AP1000260	4014486464108
24	FEEDER SHAFT (UPPER)	41954800	1	AP1003536	4014486470598
D 1250					
1	FILLING ELEVATOR	41935700	1	AP1000323	4014486465471
3	ELEVATOR - RETURN ELEVATOR GRAIN	41932600	1	AP1000289	4014486464757
4	COUNTERSHAFT DRIVE	41998900	1	no AP	
6	DRIVING GEAR	41996300	1	AP1002205	4014486477566
7	AWNER SHAFT	41974300	1	AP1001357	4014486474718
8	STRAW SHAKER	41966500	1	AP1003444	4014486465235
10	FEEDER SHAFT (UPPER)	41937300	1	AP1000339	4014486520217
11	KNIFE DRIVE	41964400	1	AP1000238	4014486463422
12	FEEDER AUGER	41953700	1	AP1003505	4014486469196
13	HYDRAULIC DRIVE VARIATOR	41996500	1	AP1002150	4014486476682
15	SPRING LOADED DRIVE VARIATOR	41994300	1	AP1001215	4014486497748
16	STRAW GUIDE	41926100	1	AP1000224	4014486462913
20	STRAW GUIDE	41996100	1	AP1002080	4014486475708
21	MAIN FAN VARIABLE SPEED DRIVE	41928100	1	AP1003415	4014486463637
22	MAIN FAN	41930300	1	AP1000260	4014486464108
24	FEEDER SHAFT (UPPER)	41954800	1	AP1003536	4014486470598
D 1500					
1	FAN DRIVE	41928100	1	AP1003415	4014486463637
2	COUNTERSHAFT DRIVE	41996400	1	AP1002071	4014486475579
4	FAN DRIVE	41974300	1	AP1001357	4014486474718
6	HYDRAULIC DRIVE VARIATOR	41996500	1	AP1002150	4014486476682
7	GEAR BOX	41994300	1	AP1001215	4014486497748
10	SHAKER SHAFT DRIVE	41966900	1	AP1003449	4014486465501
11	FILLING AUGER	41997600	1	AP1002197	4014486477467

DRONNINBORG

NR.	DRIVE	PART NUMBER	SET	AP NR.	EAN
14	FEEDER AUGER	41953700	1	AP1003505	4014486469196
22	THRESHING DRUM VARIATOR DRIVE	41981900	1	AP1000570	4014486468786
29	CRANK PULLEY	41964400	1	AP1000238	4014486463422

D 1600

1	FILLING ELEVATOR	41935700	1	AP1000323	4014486465471
3	ELEVATOR - RETURN ELEVATOR GRAIN	41932600	1	AP1000289	4014486464757
4	COUNTERSHAFT DRIVE	41998900	1	no AP	
6	DRIVING GEAR	41996300	1	AP1002205	4014486477566
7	AWNER SHAFT	41974300	1	AP1001357	4014486474718
8	STRAW SHAKER	41966500	1	AP1003444	4014486465235
10	FEEDER SHAFT (UPPER)	41937300	1	AP1000339	4014486520217
11	KNIFE DRIVE	41964400	1	AP1000238	4014486463422
12	FEEDER AUGER	41953700	1	AP1003505	4014486469196
13	HYDRAULIC DRIVE VARIATOR	41996500	1	AP1002150	4014486476682
15	SPRING LOADED DRIVE VARIATOR	41994300	1	AP1001215	4014486497748
16	STRAW GUIDE	41926100	1	AP1000224	4014486462913
20	STRAW GUIDE	41996100	1	AP1002080	4014486475708
21	MAIN FAN VARIABLE SPEED DRIVE	41928100	1	AP1003415	4014486463637
22	MAIN FAN	41930300	1	AP1000260	4014486464108
24	FEEDER SHAFT (UPPER)	41954800	1	AP1003536	4014486470598

D 1650

1	FILLING ELEVATOR	41935700	1	AP1000323	4014486465471
3	ELEVATOR - RETURN ELEVATOR GRAIN	41932600	1	AP1000289	4014486464757
4	COUNTERSHAFT DRIVE	41998900	1	no AP	
6	DRIVING GEAR	41996300	1	AP1002205	4014486477566
7	AWNER SHAFT	41974300	1	AP1001357	4014486474718
8	STRAW SHAKER	41966500	1	AP1003444	4014486465235
10	FEEDER SHAFT (UPPER)	41937300	1	AP1000339	4014486520217
11	KNIFE DRIVE	41964400	1	AP1000238	4014486463422
12	FEEDER AUGER	41953700	1	AP1003505	4014486469196
13	HYDRAULIC DRIVE VARIATOR	41996500	1	AP1002150	4014486476682
15	SPRING LOADED DRIVE VARIATOR	41994300	1	AP1001215	4014486497748
16	STRAW GUIDE	41926100	1	AP1000224	4014486462913
20	STRAW GUIDE	41996100	1	AP1002080	4014486475708
21	MAIN FAN VARIABLE SPEED DRIVE	41928100	1	AP1003415	4014486463637
22	MAIN FAN	41930300	1	AP1000260	4014486464108
24	FEEDER SHAFT (UPPER)	41954800	1	AP1003536	4014486470598

D 1800

1	FAN DRIVE	41928100	1	AP1003415	4014486463637
2	COUNTERSHAFT DRIVE	41996400	1	AP1002071	4014486475579
4	FAN DRIVE	41974300	1	AP1001357	4014486474718
6	HYDRAULIC DRIVE VARIATOR	41996500	1	AP1002150	4014486476682
7	GEAR BOX	41994300	1	AP1001215	4014486497748
10	SHAKER SHAFT DRIVE	41966900	1	AP1003449	4014486465501
11	FILLING AUGER	41997600	1	AP1002197	4014486477467
14	FEEDER AUGER	41953700	1	AP1003505	4014486469196
22	THRESHING DRUM VARIATOR DRIVE	41981900	1	AP1000570	4014486468786
29	CRANK PULLEY	41964400	1	AP1000238	4014486463422



DRONNINBORG

NR.	DRIVE	PART NUMBER	SET	AP NR.	EAN
D 1900					
1		41983500	1	AP1000609	4014486469486
2		41964300	1	AP1003405	4014486463309
5		41950600	1	AP1000641	4014486470000
6		41950900	1	AP1003993	4014486518702
9		41987200	1	AP1000624	4014486520262
10		41935200	1	AP1000318	4014486465372
12		41928900	1	AP1000249	4014486463828
13		41942100	1	AP1000404	4014486466676
14		41987300	1	AP1000815	4014486472400
18		41935900	1	AP1000328	4014486465587
19		41950400	1	AP1000624	4014486520262
20		41929200	1	AP1000254	4014486464009
D 2250					
1	FEEDER AUGER	41983500	1	AP1000609	4014486469486
2	COUNTERSHAFT DRIVE	41964300	1	AP1003405	4014486463309
2	KNIFE DRIVE	41964300	1	AP1003405	4014486463309
3	COUNTERSHAFT DRIVE	41955400	1	AP1000724	4014486471168
3	FEEDER SHAFT (UPPER)	41955400	1	AP1000724	4014486471168
5	ELEVATOR DRIVE GRAIN	41954100	1	AP1000645	4014486470055
5	ECCENTRIC SHAFT DRIVE	41982200	1	AP1003232	4014486518658
6	CENTER SHAFT	41987100	1	AP1000602	4014486469349
6	STRAW SHAKER - RETURN AUGER	41989900	1	AP1001375	4014486474893
7	INTERMEDIATE SHAFT	41950000	1	AP1000625	4014486469738
7	ENGINE	41994600	1	AP1001845	4014486488746
9	STRAW GUIDE	41950000	1	AP1000625	4014486469738
9	COUNTERSHAFT DRIVE	41995600	1	AP1001822	4014486488401
10	HYDRAULIC PUMP DRIVE	41997200	1	AP1002135	4014486476477
10	HYDRAULIC PUMP DRIVE	41997200	1	AP1002135	4014486476477
11	RETURN AUGER DRIVE	41989900	1	AP1001375	4014486474893
11	COUNTER DRIVE	41999700	1	AP1002208	4014486477597
12	STRAW CUTTER	41999800	1	AP1002207	4014486477580
13	STRAW CHOPPER DRIVE	41940900	1	AP1000385	4014486466485
13	STRAW GUIDE - DISCHARGE AUGER	41995100	2	AP1000546	4014486468328
14	MAIN FAN	41957600	1	AP1000656	4014486470208
14	THRESHING DRUM VARIATOR DRIVE	41957800	1	AP1000706	4014486470925
14	THRESHING DRUM VARIATOR DRIVE	D41957800	1	AP1000706	4014486470925
15	MAIN FAN	41950100	1	AP1000628	4014486469783
16	MAIN FAN VARIABLE SPEED DRIVE	41950200	1	AP1000694	4014486470734
17	MAIN FAN	41950300	3	AP1000712	4014486471021
D 2500					
1	FEEDER AUGER	41983500	1	AP1000609	4014486469486
2	KNIFE DRIVE	41964300	1	AP1003405	4014486463309
3	COUNTERSHAFT DRIVE	41955400	1	AP1000724	4014486471168
5	ECCENTRIC SHAFT DRIVE	41982200	1	AP1003232	4014486518658
6	STRAW SHAKER - RETURN AUGER	41989900	1	AP1001375	4014486474893
7	INTERMEDIATE SHAFT	41950000	1	AP1000625	4014486469738
9	COUNTERSHAFT DRIVE	41995600	1	AP1001822	4014486488401
10	HYDRAULIC PUMP DRIVE	41997200	1	AP1002135	4014486476477
11	COUNTER DRIVE STRAW CHOPPER	41999700	1	AP1002208	4014486477597
12	STRAW CUTTER	41999800	1	AP1002207	4014486477580
13	STRAW GUIDE - DISCHARGE AUGER	41995100	2	AP1000546	4014486468328
14	THRESHING DRUM VARIATOR DRIVE	41957800	1	AP1000706	4014486470925
14	THRESHING DRUM VARIATOR DRIVE	D41957800	1	AP1000706	4014486470925



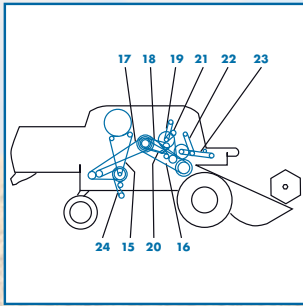
DRONNINBORG

NR.	DRIVE	PART NUMBER	SET	AP NR.	EAN
16	MAIN FAN VARIABLE SPEED DRIVE	41950200	1	AP1000694	4014486470734
17	MAIN FAN	41950300	3	AP1000712	4014486471021
D 2600					
1	FEEDER AUGER	41983500	1	AP1000609	4014486469486
2	KNIFE DRIVE	41964300	1	AP1003405	4014486463309
3	COUNTERSHAFT DRIVE	41955400	1	AP1000724	4014486471168
7	CENTER SHAFT	41950000	1	AP1000625	4014486469738
8	STRAW GUIDE	41986800	1	AP1003536	4014486470598
10	ENGINE	41997200	1	AP1002135	4014486476477
11	COUNTER DRIVE	41999700	1	AP1002208	4014486477597
12	STRAW CHOPPER DRIVE	41999800	1	AP1002207	4014486477580
14	THRESHING DRUM VARIATOR DRIVE	41957800	1	AP1000706	4014486470925
14	THRESHING DRUM VARIATOR DRIVE	D41957800	1	AP1000706	4014486470925
16	SELECTOR FOR MAIN FAN	41950200	1	AP1000694	4014486470734
17	MAIN FAN	41950300	3	AP1000712	4014486471021
D 3000 S					
1	RETURN AUGER (UPPER)	41964300	1	AP1003405	4014486463309
5	HYDRAULIC PUMP DRIVE	41924900	1	AP1000214	4014486462708
8	COUNTERSHAFT DRIVE	41992700	1	AP1000910	4014486473575
9	FEEDER SHAFT (UPPER)	41983900	1	AP1003521	4014486469882
10	COUNTER DRIVE	41955900	1	AP1000704	4014486470888
10	COUNTER DRIVE STRAW CHOPPER	41955900	1	AP1000704	4014486470888
11	COUNTER DRIVE	41955900	1	AP1000704	4014486470888
11	COUNTER DRIVE STRAW CHOPPER	41955900	1	AP1000704	4014486470888
14	INTERMEDIATE SHAFT	41926600	1	AP1000235	4014486463361
15	ELEVATOR DRIVE GRAIN	41937600	1	AP1000328	4014486465587
15	STRIPPER BEATER	41937600	1	AP1000328	4014486465587
16	DISCHARGE AUGER SHAFT	41984300	1	AP1000898	4014486473414
17	ECCENTRIC SHAFT DRIVE	41926300	1	AP1000230	4014486463187
18	MAIN FAN	41930300	1	AP1000260	4014486464108
19	ECCENTRIC SHAFT DRIVE	41934900	1	AP1000314	4014486465297
19	MAIN FAN SELECTOR	41934900	1	AP1000314	4014486465297
19	AWNER SHAFT	41966500	1	AP1003444	4014486465235
20	DISCHARGE AUGER SHAFT	41980300	1	AP1001439	4014486459470
20	STRIPPER BEATER	41980600	1	AP1001439	4014486459470
20	DISCHARGE AUGER SHAFT	D41980300	1	AP1001439	4014486459470
20	STRIPPER BEATER	D41980600	1	AP1001439	4014486459470
D 4000					
1	STRIPPER BEATER	41964300	1	AP1003405	4014486463309
2	FILLING AUGER	41972200	1	AP1001353	4014486474664
2	FILLING AUGER	41972300	1	AP1001353	4014486474664
2	FILLING AUGER	D41972300	1	AP1001353	4014486474664
3	STRIPPER BEATER	41992200	1	AP1001653	4014486486063
4	HYDRAULIC PUMP DRIVE	41924900	1	AP1000214	4014486462708
5	PROPULSION PUMP DRIVE	41992100	1	AP1001643	4014486485950
6	STRAW CHOPPER DRIVE	41958500	1	AP1000859	4014486472936
7	FEEDER DRUM	41953700	1	AP1003505	4014486469196
8	COUNTERSHAFT DRIVE	41964400	1	AP1000238	4014486463422
9	COUNTERSHAFT DRIVE	41992400	1	AP1000918	4014486473674
9	COUNTERSHAFT DRIVE	41992700	1	AP1000910	4014486473575
10	FEEDER SHAFT (UPPER)	41983900	1	AP1003521	4014486469882
11	COUNTER DRIVE STRAW CHOPPER	41955900	1	AP1000704	4014486470888
12	STRAW WALKER - ECCENTRIC	41972800	1	AP1001355	4014486474695
12	STRAW WALKER - ECCENTRIC	D41972800	1	AP1001355	4014486474695

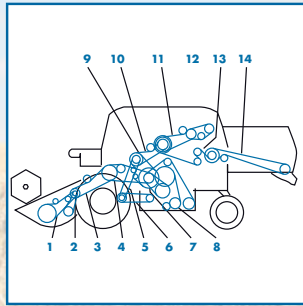


DRONNINBORG

NR.	DRIVE	PART NUMBER	SET	AP NR.	EAN
13	AWNER SHAFT - FAN SHAFT	41958500	1	AP1000859	4014486472936
13	AWNER SHAFT - FAN SHAFT	41978500	1	AP1001365	4014486474794
14	INTERMEDIATE SHAFT	41926600	1	AP1000235	4014486463361
15	ELEVATOR DRIVE GRAIN	41937600	1	AP1000328	4014486465587
16	DISCHARGE AUGER SHAFT	41984300	1	AP1000898	4014486473414
17	MAIN FAN SELECTOR	41926300	1	AP1000230	4014486463187
18	MAIN FAN	41930300	1	AP1000260	4014486464108
19	ECCENTRIC SHAFT DRIVE	41934900	1	AP1000314	4014486465297
19	ECCENTRIC SHAFT DRIVE	41966500	1	AP1003444	4014486465235
20	THRESHING DRUM VARIATOR DRIVE	41980300	1	AP1001439	4014486459470
20	THRESHING DRUM VARIATOR DRIVE	D41980300	1	AP1001439	4014486459470
D 4000 S					
1	STRIPPER BEATER	41964300	1	AP1003405	4014486463309
2	FILLING AUGER	41972200	1	AP1001353	4014486474664
2	FILLING AUGER	41972300	1	AP1001353	4014486474664
2	FILLING AUGER	D41972300	1	AP1001353	4014486474664
3	STRIPPER BEATER	41992200	1	AP1001653	4014486486063
4	HYDRAULIC PUMP DRIVE	41924900	1	AP1000214	4014486462708
5	PROPULSION PUMP DRIVE	41992100	1	AP1001643	4014486485950
6	STRAW CHOPPER DRIVE	41958500	1	AP1000859	4014486472936
7	FEEDER DRUM	41953700	1	AP1003505	4014486469196
8	COUNTERSHAFT DRIVE	41964400	1	AP1000238	4014486463422
9	COUNTERSHAFT DRIVE	41992400	1	AP1000918	4014486473674
9	COUNTERSHAFT DRIVE	41992700	1	AP1000910	4014486473575
10	FEEDER SHAFT (UPPER)	41983900	1	AP1003521	4014486469882
11	COUNTER DRIVE STRAW CHOPPER	41955900	1	AP1000704	4014486470888
12	STRAW WALKER - ECCENTRIC	41972800	1	AP1001355	4014486474695
12	STRAW WALKER - ECCENTRIC	D41972800	1	AP1001355	4014486474695
13	AWNER SHAFT - FAN SHAFT	41958500	1	AP1000859	4014486472936
13	AWNER SHAFT - FAN SHAFT	41978500	1	AP1001365	4014486474794
14	INTERMEDIATE SHAFT	41926600	1	AP1000235	4014486463361
15	ELEVATOR DRIVE GRAIN	41937600	1	AP1000328	4014486465587
16	DISCHARGE AUGER SHAFT	41984300	1	AP1000898	4014486473414
17	MAIN FAN SELECTOR	41926300	1	AP1000230	4014486463187
18	MAIN FAN	41930300	1	AP1000260	4014486464108
19	ECCENTRIC SHAFT DRIVE	41934900	1	AP1000314	4014486465297
19	ECCENTRIC SHAFT DRIVE	41966500	1	AP1003444	4014486465235
20	THRESHING DRUM VARIATOR DRIVE	41980300	1	AP1001439	4014486459470
20	THRESHING DRUM VARIATOR DRIVE	D41980300	1	AP1001439	4014486459470
D 4500					
1	RETURN AUGER (UPPER)	41964300	1	AP1003405	4014486463309
2	FILLING AUGER	41972100	1	AP1001352	4014486474657
3	STRIPPER BEATER	41991600	1	AP1001879	4014486489286
5	STRAW CHOPPER DRIVE	41958500	1	AP1000859	4014486472936
9	COUNTER DRIVE STRAW CHOPPER	41955900	1	AP1000704	4014486470888
10	STRAW SHAKER - ECCENTRIC SHAFT	41972800	1	AP1001355	4014486474695
10	STRAW SHAKER - ECCENTRIC SHAFT	D41972800	1	AP1001355	4014486474695
13	FAN SHAFT AWNER SHAFT	41978500	1	AP1001365	4014486474794
14	INTERMEDIATE SHAFT	41912300	1	AP1003380	4014486461749
16	ELEVATOR DRIVE GRAIN	41935700	1	AP1000323	4014486465471
17	DISCHARGE AUGER SHAFT	41988700	1	AP1000900	4014486473469
18	MAIN FAN SELECTOR	41926300	1	AP1000230	4014486463187
19	MAIN FAN	41930300	1	AP1000260	4014486464108
20	ECCENTRIC SHAFT DRIVE	41935500	1	AP1000321	4014486465419
21	THRESHING DRUM VARIATOR DRIVE	41980800	1	AP1001501	4014486460155



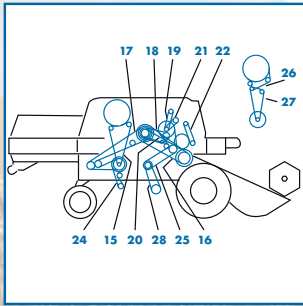
D 7000 - D 7000 S LEFT



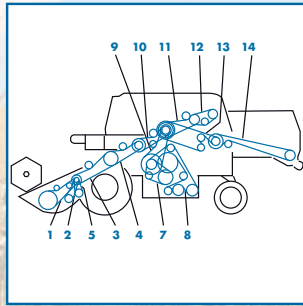
D 7000 - D 7000 S RIGHT

DRONNINBORG

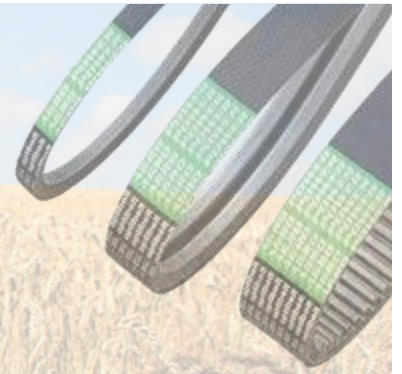
NR.	DRIVE	PART NUMBER	SET	AP NR.	EAN
D 500					
2	STRIPPER BEATER - SHAKER	41974300	1	AP1001357	4014486474718
4	RETURN ELEVATOR DRIVE	41932800	1	AP1000292	4014486464825
4	RETURN ELEVATOR DRIVE	D41932800	1	AP1000292	4014486464825
6	FAN SECOND CLEANER	41974300	1	AP1001357	4014486474718
9	FILLING AUGER	41964500	1	AP1000237	4014486463408
14	HYDRAULIC PUMP DRIVE	41902600	1	AP1000086	4014486460834
D 600					
2	STRIPPER BEATER - SHAKER	41974300	1	AP1001357	4014486474718
4	RETURN ELEVATOR DRIVE	41932800	1	AP1000292	4014486464825
4	RETURN ELEVATOR DRIVE	D41932800	1	AP1000292	4014486464825
6	FAN SECOND CLEANER	41974300	1	AP1001357	4014486474718
9	FILLING AUGER	41964500	1	AP1000237	4014486463408
14	HYDRAULIC PUMP DRIVE	41902600	1	AP1000086	4014486460834
D 7000					
1	FEEDER DRUM	41983500	1	AP1000609	4014486469486
2	CRANKSHAFT	41964300	1	AP1003405	4014486463309
3	COUNTERSHAFT DRIVE	41993000	1	AP1001104	4014486496864
5		41950600	1	AP1000641	4014486470000
6		41950900	1	AP1003993	4014486518702
7	ECCENTRIC SHAFT DRIVE	41982400	1	AP1000585	4014486469066
8	STRAW SHAKER CRANK - GRAIN AUGER	41990100	1	AP1001377	4014486474916
9	INTERMEDIATE SHAFT	41987200	1	AP1000624	4014486520262
10	STRIPPER BEATER	41935200	1	AP1000318	4014486465372
11	COUNTERSHAFT DRIVE	41993400	1	AP1003633	4014486488609
12	HYDRAULIC PUMP DRIVE	41928900	1	AP1000249	4014486463828
12	HYDRAULIC PUMP DRIVE	41929000	1	AP1000251	4014486463897
12	HYDRAULIC PUMP DRIVE	41929200	1	AP1000254	4014486464009
12	HYDRAULIC PUMP DRIVE	41930200	1	AP1000260	4014486464108
12	HYDRAULIC PUMP DRIVE	D41929000	1	AP1000251	4014486463897
13	COUNTER DRIVE STRAW CHOPPER	41942100	1	AP1000404	4014486466676
14	STRAW CHOPPER DRIVE	41987300	1	AP1000815	4014486472400
15	AWNER SHAFT	41912400	1	AP1003380	4014486461749
16	THRESHING DRUM VARIATOR DRIVE	41999200	1	AP1004068	4014486518375
18	DISCHARGE AUGER SHAFT	41935900	1	AP1000328	4014486465587
18	DISCHARGE AUGER SHAFT	41936200	2	AP1002770	4014486465648
20	STRIPPER BEATER	41982400	1	AP1000585	4014486469066
25	MAIN FAN SELECTOR - MAIN FAN	41982200	1	AP1003232	4014486518658
26	COUNTER DRIVE RADIATOR	41905300	1	AP1003756	4014486461213
27	COUNTER DRIVE RADIATOR	41911000	1	AP1000143	4014486461619
D 7000 S					
1	FEEDER DRUM	41983500	1	AP1000609	4014486469486
2	CRANKSHAFT	41964300	1	AP1003405	4014486463309
3	COUNTERSHAFT DRIVE	41993000	1	AP1001104	4014486496864
5		41950600	1	AP1000641	4014486470000
6		41950900	1	AP1003993	4014486518702
7	ECCENTRIC SHAFT DRIVE	41982400	1	AP1000585	4014486469066
8	STRAW SHAKER CRANK - GRAIN AUGER	41990100	1	AP1001377	4014486474916
9	INTERMEDIATE SHAFT	41987200	1	AP1000624	4014486520262
10	STRIPPER BEATER	41935200	1	AP1000318	4014486465372
11	COUNTERSHAFT DRIVE	41993400	1	AP1003633	4014486488609
12	HYDRAULIC PUMP DRIVE	41928900	1	AP1000249	4014486463828
12	HYDRAULIC PUMP DRIVE	41929000	1	AP1000251	4014486463897



D 7200 - D 7500 LEFT

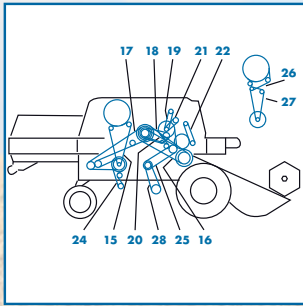


D 7200 - D 7500 RIGHT

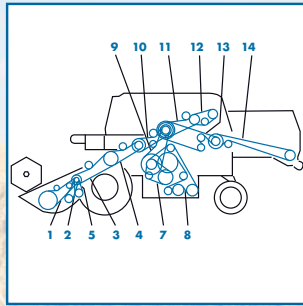


DRONNINBORG

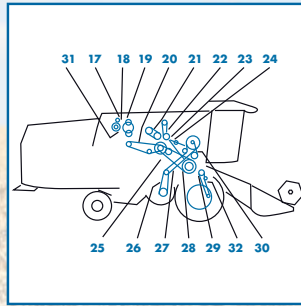
NR.	DRIVE	PART NUMBER	SET	AP NR.	EAN
12	HYDRAULIC PUMP DRIVE	41929200	1	AP1000254	4014486464009
12	HYDRAULIC PUMP DRIVE	41930200	1	AP1000260	4014486464108
12	HYDRAULIC PUMP DRIVE	D41929000	1	AP1000251	4014486463897
13	COUNTER DRIVE STRAW CHOPPER	41942100	1	AP1000404	4014486466676
14	STRAW CHOPPER DRIVE	41987300	1	AP1000815	4014486472400
15	AWNER SHAFT	41912400	1	AP1003380	4014486461749
16	THRESHING DRUM VARIATOR DRIVE	41999200	1	AP1004068	4014486518375
18	DISCHARGE AUGER SHAFT	41935900	1	AP1000328	4014486465587
18	DISCHARGE AUGER SHAFT	41936200	2	AP1002770	4014486465648
20	STRIPPER BEATER	41982400	1	AP1000585	4014486469066
25	MAIN FAN SELECTOR - MAIN FAN	41982200	1	AP1003232	4014486518658
26	COUNTER DRIVE RADIATOR	41905300	1	AP1003756	4014486461213
27	COUNTER DRIVE RADIATOR	41911000	1	AP1000143	4014486461619
D 7200					
1	FEEDER DRUM	41983500	1	AP1000609	4014486469486
1	FEEDER DRUM	41983600	1	AP1000609	4014486469486
2	CRANKSHAFT	41963900	1	AP1000233	4014486463293
2	CRANKSHAFT	41964300	1	AP1003405	4014486463309
3	COUNTERSHAFT DRIVE	41989200	1	AP1000908	4014486473568
3	COUNTERSHAFT DRIVE	41989400	1	AP1000911	4014486473605
4	FEEDER SHAFT (UPPER)	41991700	1	AP1001844	4014486488739
7	ECCENTRIC SHAFT DRIVE	41982400	1	AP1000585	4014486469066
7	ECCENTRIC SHAFT DRIVE	41982500	1	AP1000585	4014486469066
8	STRAW SHAKER CRANK - GRAIN AUGER	41990100	1	AP1001377	4014486474916
8	STRAW SHAKER CRANK	41990400	1	AP1003581	4014486474930
9	INTERMEDIATE SHAFT	41987800	1	AP1000620	4014486469608
9	INTERMEDIATE SHAFT	41988000	1	AP1000698	4014486470802
10	STRIPPER BEATER	41934800	3	AP1002768	4014486465228
11	COUNTER SELECTOR	41993400	1	AP1003633	4014486488609
12	HYDRAULIC PUMP DRIVE	41929000	1	AP1000251	4014486463897
12	HYDRAULIC PUMP DRIVE	41930200	1	AP1000260	4014486464108
12	HYDRAULIC PUMP DRIVE	D41929000	1	AP1000251	4014486463897
13	COUNTER DRIVE STRAW CHOPPER	41942100	1	AP1000404	4014486466676
14	STRAW CHOPPER DRIVE	41987300	1	AP1000815	4014486472400
15	AWNER SHAFT	41912300	1	AP1003380	4014486461749
15	AWNER SHAFT	41912400	1	AP1003380	4014486461749
17	FAN SHAFT AWNER SHAFT	41990400	1	AP1003581	4014486474930
18	DISCHARGE AUGER SHAFT	41936200	2	AP1002770	4014486465648
20	STRIPPER BEATER	41982500	1	AP1000585	4014486469066
25	MAIN FAN SELECTOR	41987900	1	AP1000575	4014486468847
26	COUNTER DRIVE RADIATOR	41905300	1	AP1003756	4014486461213
27	COUNTER DRIVE RADIATOR	41911000	1	AP1000143	4014486461619
28	MAIN FAN	41982100	1	AP1003232	4014486518658
28	MAIN FAN	41982200	1	AP1003232	4014486518658
28	MAIN FAN	41987900	1	AP1000575	4014486468847
D 7500					
1	FEEDER DRUM	41983500	1	AP1000609	4014486469486
1	FEEDER DRUM	41983600	1	AP1000609	4014486469486
2	CRANKSHAFT	41963900	1	AP1000233	4014486463293
2	CRANKSHAFT	41964300	1	AP1003405	4014486463309
3	COUNTERSHAFT DRIVE	41989200	1	AP1000908	4014486473568
3	COUNTERSHAFT DRIVE	41989400	1	AP1000911	4014486473605
4	FEEDER SHAFT (UPPER)	41991700	1	AP1001844	4014486488739
7	ECCENTRIC SHAFT DRIVE	41982400	1	AP1000585	4014486469066
7	ECCENTRIC SHAFT DRIVE	41982500	1	AP1000585	4014486469066



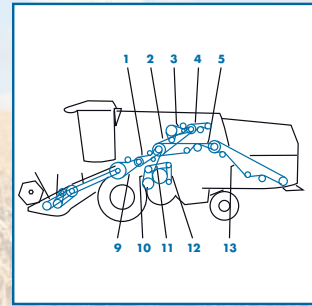
D 8000 LEFT



D 8000 RIGHT



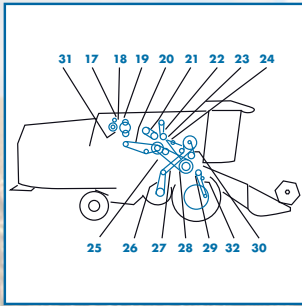
D 8000 S LEFT



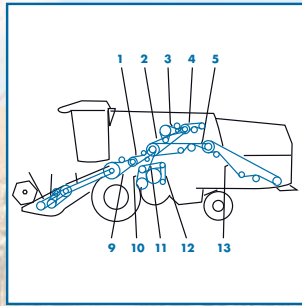
D 8000 S RIGHT

DRONNINBORG

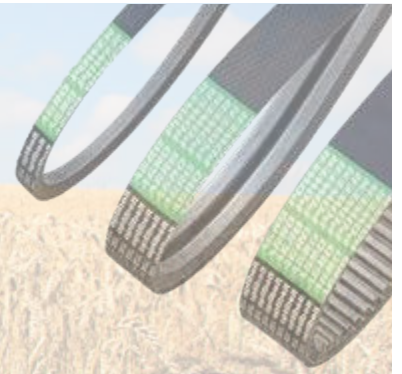
NR.	DRIVE	PART NUMBER	SET	AP NR.	EAN
8	STRAW SHAKER CRANK - GRAIN AUGER	41990100	1	AP1001377	4014486474916
8	STRAW SHAKER CRANK - GRAIN AUGER	41990400	1	AP1003581	4014486474930
9	INTERMEDIATE SHAFT	41987800	1	AP1000620	4014486469608
9	INTERMEDIATE SHAFT	41988000	1	AP1000698	4014486470802
10	STRIPPER BEATER	41934800	3	AP1002768	4014486465228
11	COUNTERSHAFT DRIVE	41993400	1	AP1003633	4014486488609
12	ENGINE - HYDRAULIC PUMP	41929000	1	AP1000251	4014486463897
12	HYDRAULIC PUMP DRIVE	41930200	1	AP1000260	4014486464108
12	ENGINE - HYDRAULIC PUMP	D41929000	1	AP1000251	4014486463897
13	COUNTER DRIVE STRAW CHOPPER	41942100	1	AP1000404	4014486466676
14	STRAW CHOPPER DRIVE	41987300	1	AP1000815	4014486472400
15	AWNER SHAFT	41912300	1	AP1003380	4014486461749
15	AWNER SHAFT	41912400	1	AP1003380	4014486461749
16	THRESHING DRUM VARIATOR DRIVE	41980900	1	AP1001526	4014486460452
16	THRESHING DRUM VARIATOR DRIVE	D41980900	1	AP1001526	4014486460452
17	FAN SHAFT AWNER SHAFT	41990400	1	AP1003581	4014486474930
18	DISCHARGE AUGER SHAFT	41936200	2	AP1002770	4014486465648
20	STRIPPER BEATER	41982500	1	AP1000585	4014486469066
25	MAIN FAN SELECTOR	41987900	1	AP1000575	4014486468847
26	COUNTER DRIVE RADIATOR	41905300	1	AP1003756	4014486461213
27	COUNTER DRIVE RADIATOR	41911000	1	AP1000143	4014486461619
28	MAIN FAN SELECTOR - MAIN FAN	41982100	1	AP1003232	4014486518658
28	MAIN FAN	41982200	1	AP1003232	4014486518658
28	MAIN FAN	41987900	1	AP1000575	4014486468847
D 8000					
1	FEEDER DRUM	41983500	1	AP1000609	4014486469486
1	FEEDER DRUM	41983600	1	AP1000609	4014486469486
2	CRANKSHAFT	41964300	1	AP1003405	4014486463309
3	COUNTERSHAFT DRIVE	41993000	1	AP1001104	4014486496864
5		41950600	1	AP1000641	4014486470000
6		41950900	1	AP1003993	4014486518702
7	ECCENTRIC SHAFT DRIVE	41982400	1	AP1000585	4014486469066
8	STRAW SHAKER CRANK - GRAIN AUGER	41990100	1	AP1001377	4014486474916
9	INTERMEDIATE SHAFT	41987200	1	AP1000624	4014486520262
10	STRIPPER BEATER	41935200	1	AP1000318	4014486465372
11	COUNTER SELECTOR	41993400	1	AP1003633	4014486488609
12	HYDRAULIC PUMP DRIVE	41929000	1	AP1000251	4014486463897
12	HYDRAULIC PUMP DRIVE	41930200	1	AP1000260	4014486464108
12	HYDRAULIC PUMP DRIVE	41930300	1	AP1000260	4014486464108
12	HYDRAULIC PUMP DRIVE	D41929000	1	AP1000251	4014486463897
13	COUNTER DRIVE STRAW CHOPPER	41942100	1	AP1000404	4014486466676
14	STRAW CHOPPER DRIVE	41987600	1	AP1000853	4014486472844
15	AWNER SHAFT	41912400	1	AP1003380	4014486461749
16	THRESHING DRUM VARIATOR DRIVE	41999200	1	AP1004068	4014486518375
18	DISCHARGE AUGER SHAFT	41935900	1	AP1000328	4014486465587
18	DISCHARGE AUGER SHAFT	41936200	2	AP1002770	4014486465648
20	STRIPPER BEATER	41982400	1	AP1000585	4014486469066
25	MAIN FAN SELECTOR	41982200	1	AP1003232	4014486518658
26	COUNTER DRIVE RADIATOR	41905300	1	AP1003756	4014486461213
27	COUNTER DRIVE RADIATOR	41911000	1	AP1000143	4014486461619
D 8000 S					
1	FEEDER DRUM	41983500	1	AP1000609	4014486469486
1	FEEDER DRUM	41983600	1	AP1000609	4014486469486
2	CRANKSHAFT	41964300	1	AP1003405	4014486463309
3	COUNTERSHAFT DRIVE	41993000	1	AP1001104	4014486496864



D 8400 LEFT

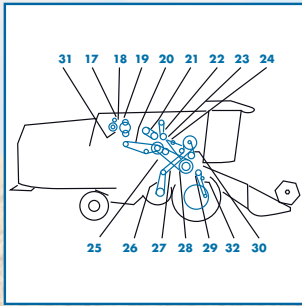


D 8500 RIGHT

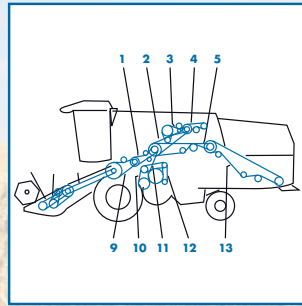


DRONNINBORG

NR.	DRIVE	PART NUMBER	SET	AP NR.	EAN
5		41950600	1	AP1000641	4014486470000
6		41950900	1	AP1003993	4014486518702
7	ECCENTRIC SHAFT DRIVE	41982400	1	AP1000585	4014486469066
8	STRAW SHAKER CRANK - GRAIN AUGER	41990100	1	AP1001377	4014486474916
9	INTERMEDIATE SHAFT	41987200	1	AP1000624	4014486520262
10	STRIPPER BEATER	41935200	1	AP1000318	4014486465372
11	COUNTER SELECTOR	41993400	1	AP1003633	4014486488609
12	HYDRAULIC PUMP DRIVE	41929000	1	AP1000251	4014486463897
12	HYDRAULIC PUMP DRIVE	41930200	1	AP1000260	4014486464108
12	HYDRAULIC PUMP DRIVE	41930300	1	AP1000260	4014486464108
12	HYDRAULIC PUMP DRIVE	D41929000	1	AP1000251	4014486463897
13	COUNTER DRIVE STRAW CHOPPER	41942100	1	AP1000404	4014486466676
14	STRAW CHOPPER DRIVE	41987600	1	AP1000853	4014486472844
15	AWNER SHAFT	41912400	1	AP1003380	4014486461749
16	THRESHING DRUM VARIATOR DRIVE	41999200	1	AP1004068	4014486518375
18	DISCHARGE AUGER SHAFT	41935900	1	AP1000328	4014486465587
18	DISCHARGE AUGER SHAFT	41936200	2	AP1002770	4014486465648
20	STRIPPER BEATER	41982400	1	AP1000585	4014486469066
25	MAIN FAN SELECTOR	41982200	1	AP1003232	4014486518658
26	COUNTER DRIVE RADIATOR	41905300	1	AP1003756	4014486461213
27	COUNTER DRIVE RADIATOR	41911000	1	AP1000143	4014486461619
D 8400					
1	STRIPPER BEATER	41934800	3	AP1002768	4014486465228
2	COUNTERSHAFT DRIVE	41990051	1	AP1001877	4014486489255
3	DISCHARGE AUGER SHAFT	41990050	1	AP1003920	4014486485189
5	INTERMEDIATE SHAFT - STRAW CHOPPER	41942200	1	AP1000410	4014486466737
6	KNIFE DRIVE	41985600	1	AP1000693	4014486470741
9	FEEDER SHAFT (UPPER)	41991700	1	AP1001844	4014486488739
10	ECCENTRIC SHAFT DRIVE	41982100	1	AP1003232	4014486518658
11	INTERMEDIATE SHAFT	41984100	1	AP1000655	4014486470185
12	STRAW SHAKER CRANK	41990068	1	AP1001368	4014486474824
13	STRAW CHOPPER DRIVE	41978400	1	AP1001725	4014486487084
17	AIR CONDITIONING COMPRESSOR DRIVE	41909000	1	AP1003748	4014486496048
17	AIR CONDITIONING COMPRESSOR DRIVE	41991000	1	AP1002346	4014486478792
19	SUCTION STRAINER	41990009	1	AP1002357	4014486478907
20	DUST EXTRACTOR	41936700	1	AP1000327	4014486465556
21	DISCHARGE AUGER SHAFT	41979600	1	AP1003347	4014486486285
23	INTERMEDIATE SHAFT - FILL ELEVATOR	41950100	1	AP1000628	4014486469783
25	COUNTERSHAFT - GRAIN SEPARATOR	41982100	1	AP1003232	4014486518658
26	MAIN FAN	41982100	1	AP1003232	4014486518658
27	MAIN FAN VARIABLE SPEED DRIVE	41987900	1	AP1000575	4014486468847
28	THRESHING DRUM VARIATOR DRIVE	41980900	1	AP1001526	4014486460452
28	THRESHING DRUM VARIATOR DRIVE	D41980900	1	AP1001526	4014486460452
29	DISCHARGE AUGER SHAFT	41950400	1	AP1000624	4014486520262
D 8500					
1	FEEDER DRUM	41983500	1	AP1000609	4014486469486
1	FEEDER DRUM	41983600	1	AP1000609	4014486469486
2	CRANKSHAFT	41963900	1	AP1000233	4014486463293
2	CRANKSHAFT	41964300	1	AP1003405	4014486463309
3	COUNTERSHAFT DRIVE	41989200	1	AP1000908	4014486473568
3	COUNTERSHAFT DRIVE	41989400	1	AP1000911	4014486473605
4	FEEDER SHAFT (UPPER)	41991700	1	AP1001844	4014486488739
7	ECCENTRIC SHAFT DRIVE	41982400	1	AP1000585	4014486469066
7	ECCENTRIC SHAFT DRIVE	41982500	1	AP1000585	4014486469066
8	STRAW SHAKER CRANK	41990069	1	AP1001378	4014486474923



D 8700 LEFT



D 8700 RIGHT

DRONNINBORG

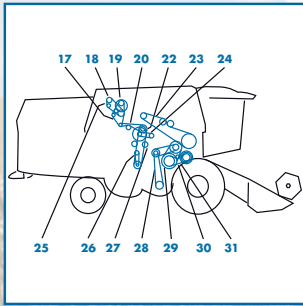
NR.	DRIVE	PART NUMBER	SET	AP NR.	EAN
8	STRAW SHAKER CRANK - GRAIN AUGER	41990100	1	AP1001377	4014486474916
8	STRAW SHAKER CRANK	41990400	1	AP1003581	4014486474930
9	INTERMEDIATE SHAFT	41987800	1	AP1000620	4014486469608
9	INTERMEDIATE SHAFT	41988000	1	AP1000698	4014486470802
10	STRIPPER BEATER	41934800	3	AP1002768	4014486465228
11	COUNTER SELECTOR	41991300	1	AP1001836	4014486488616
11	COUNTER SELECTOR	41993400	1	AP1003633	4014486488609
12	HYDRAULIC PUMP DRIVE	41930200	1	AP1000260	4014486464108
13	COUNTER DRIVE STRAW CHOPPER	41942100	1	AP1000404	4014486466676
14	STRAW CHOPPER DRIVE	41987300	1	AP1000815	4014486472400
15	AWNER SHAFT	41912300	1	AP1003380	4014486461749
15	AWNER SHAFT	41912400	1	AP1003380	4014486461749
17	FAN SHAFT AWNER SHAFT	41990069	1	AP1001378	4014486474923
18	DISCHARGE AUGER SHAFT	41936200	2	AP1002770	4014486465648
20	STRIPPER BEATER	41982400	1	AP1000585	4014486469066
25	MAIN FAN SELECTOR	41987900	1	AP1000575	4014486468847
26	COUNTER DRIVE RADIATOR	41905300	1	AP1003756	4014486461213
27	COUNTER DRIVE RADIATOR	41911000	1	AP1000143	4014486461619
28	MAIN FAN SELECTOR - MAIN FAN	41982100	1	AP1003232	4014486518658
28	MAIN FAN SELECTOR - MAIN FAN	41982200	1	AP1003232	4014486518658
28	MAIN FAN SELECTOR - MAIN FAN	41987900	1	AP1000575	4014486468847

D 8700

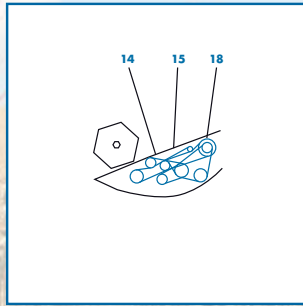
1	STRIPPER BEATER	41934800	3	AP1002768	4014486465228
2	COUNTERSHAFT DRIVE	41990051	1	AP1001877	4014486489255
3	DISCHARGE AUGER SHAFT	41990050	1	AP1003920	4014486485189
5	INTERMEDIATE SHAFT - STRAW CHOPPER	41942200	1	AP1000410	4014486466737
6	KNIFE DRIVE	41985600	1	AP1000693	4014486470741
9	FEEDER SHAFT (UPPER)	41991700	1	AP1001844	4014486488739
10	ECCENTRIC SHAFT DRIVE	41982100	1	AP1003232	4014486518658
11	INTERMEDIATE SHAFT	41984100	1	AP1000655	4014486470185
12	STRAW SHAKER CRANK	41990068	1	AP1001368	4014486474824
13	STRAW CHOPPER DRIVE	41978400	1	AP1001725	4014486487084
17	AIR CONDITIONING COMPRESSOR DRIVE	41909000	1	AP1003748	4014486496048
17	AIR CONDITIONING COMPRESSOR DRIVE	41991000	1	AP1002346	4014486478792
19	SUCTION STRAINER	41990009	1	AP1002357	4014486478907
20	DUST EXTRACTOR	41936700	1	AP1000327	4014486465556
21	DISCHARGE AUGER SHAFT	41979600	1	AP1003347	4014486486285
23	INTERMEDIATE SHAFT - FILL ELEVATOR	41950100	1	AP1000628	4014486469783
25	COUNTERSHAFT - GRAIN SEPARATOR	41982100	1	AP1003232	4014486518658
26	MAIN FAN	41982100	1	AP1003232	4014486518658
27	MAIN FAN VARIABLE SPEED DRIVE	41987900	1	AP1000575	4014486468847
28	THRESHING DRUM VARIATOR DRIVE	41980900	1	AP1001526	4014486460452
28	THRESHING DRUM VARIATOR DRIVE	D41980900	1	AP1001526	4014486460452
29	DISCHARGE AUGER SHAFT	41950400	1	AP1000624	4014486520262

D 8900

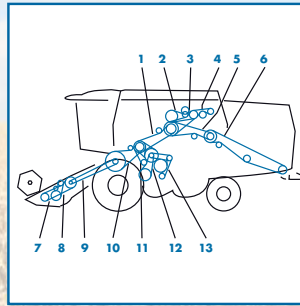
1		41933700	2	AP1000301	4014486465006
2		41979400	1	AP1001251	4014486492071
3		41979100	1	AP1001607	4014486485332
5		41979600	1	AP1003347	4014486486285
6		41978900	1	AP1001730	4014486487145
7		41983500	1	AP1000609	4014486469486
7		41983600	1	AP1000609	4014486469486
8		41963900	1	AP1000233	4014486463293
11		41979800	1	AP1001990	4014486491104
12		41990001	1	AP1002212	4014486477634



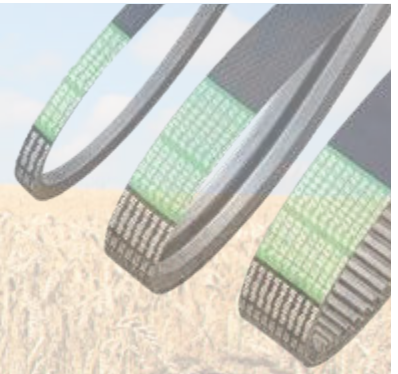
D 9000 LEFT



D 9000 MIDDLE



D 9000 RIGHT



DRONNINBORG

NR.	DRIVE	PART NUMBER	SET	AP NR.	EAN
14		41979000	1	AP1001632	4014486485776
17		41911000	1	AP1000143	4014486461619
19		41986100	1	AP1000675	4014486470475
19		D41986100	1	AP1000675	4014486470475
20		41998800	1	AP1000278	4014486464528
22		41937500	2	AP1005136	4044978203380
23		41978800	1	AP1001683	4014486486544
27		41981200	1	AP1001427	4014486459357
27		D41981200	1	AP1001427	4014486459357
28		41981100	1	AP1001436	4014486459449
28		D41981100	1	AP1001436	4014486459449
29		41981000	1	AP1001539	4014486460582
30		41985200	1	AP1000603	4014486469370
31		41985300	1	AP1000620	4014486469608

D 900					
1	ENGINE	41998700	1	no AP	
1	ENGINE	D41998700	1	no AP	
2	COUNTERSHAFT (PRIMARY)	41996400	1	AP1002071	4014486475579
3	HYDRAULIC PUMP DRIVE	41922200	1	AP1000186	4014486462159
4	GEAR BOX	41994300	1	AP1001215	4014486497748
5	REEL DRIVE - VARIATOR PULLEY	41962000	1	AP1003383	4014486462241
6	REEL DRIVE	41939300	1	AP1000366	4014486466287
7		41926100	1	AP1000224	4014486462913
8	COUNTERSHAFT DRIVE	41903000	1	AP1003366	4014486460872
9	FEEDER AUGER	41982400	1	AP1000585	4014486469066
10	MAIN BLOWER SHAKER BEATER	41974300	1	AP1001357	4014486474718
11	FILLING AUGER	41938900	1	AP1000356	4014486466133
12	THRESHING DRUM/FAN	41974300	1	AP1001357	4014486474718
14	BEATER RETURN ELEVATOR	41932800	1	AP1000292	4014486464825
14	BEATER RETURN ELEVATOR	D41932800	1	AP1000292	4014486464825
15		41904900	1	AP1000112	4014486461183
17	COUNTERSHAFT DRIVE	41954800	1	AP1003536	4014486470598
18	COUNTERSHAFT DRIVE	41995700	1	AP1001429	4014486459371
18	COUNTERSHAFT DRIVE	D41995700	1	AP1001429	4014486459371
19	DRIVING GEAR FOR AUGER	41955800	1	AP1000757	4014486471588
20		41962600	1	AP1000201	4014486462395

D 9000					
1	COUNTERSHAFT DRIVE	41979900	1	AP1003576	4014486492217
2	DISCHARGE AUGER SHAFT	41979400	1	AP1001251	4014486492071
3	DIESEL ENGINE	41979100	1	AP1001607	4014486485332
5	INTERMEDIATE SHAFT - STRAW CHOPPER	41979600	1	AP1003347	4014486486285
6	STRAW CHOPPER DRIVE	41978900	1	AP1001730	4014486487145
7	KNIFE DRIVE	41985600	1	AP1000693	4014486470741
10	FEEDER SHAFT (UPPER)	41979800	1	AP1001990	4014486491104
11	STRIPPER BEATER	41990001	1	AP1002212	4014486477634
12	ECCENTRIC SHAFT - INTERMEDIATE SHAFT	41933700	2	AP1000301	4014486465006
13	STRAW SHAKER CRANK	41979000	1	AP1001632	4014486485776
14	KNIFE DRIVE	41986300	1	AP1000756	4014486471571
17	DIESEL ENGINE	41911000	1	AP1000143	4014486461619
19	INTERMEDIATE SHAFT - FILL ELEVATOR	41986100	1	AP1000675	4014486470475
19	INTERMEDIATE SHAFT - FILL ELEVATOR	D41986100	1	AP1000675	4014486470475
20	DUST EXTRACTOR - COUNTERSHAFT	41998800	1	AP1000278	4014486464528
22	COUNTERSHAFT DRIVE	41937500	2	AP1005136	4044978203380
23	DISCHARGE AUGER SHAFT	41978800	1	AP1001683	4014486486544
25	AIR CONDITIONING COMPRESSOR DRIVE	41909000	1	AP1003748	4014486496048



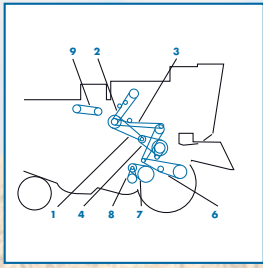
DRONNINGBORG

NR.	DRIVE	PART NUMBER	SET	AP NR.	EAN
27	MAIN FAN RADIATOR	41981200	1	AP1001427	4014486459357
27	MAIN FAN RADIATOR	D41981200	1	AP1001427	4014486459357
28	MAIN FAN	41981100	1	AP1001436	4014486459449
28	MAIN FAN	D41981100	1	AP1001436	4014486459449
29	INTERMEDIATE SHAFT - VARIATOR DRIVE	41981000	1	AP1001539	4014486460582
30	INTERMEDIATE SHAFT - VARIATOR DRIVE	41985200	1	AP1000603	4014486469370
31	THRESHING DRUM VARIATOR DRIVE	41985300	1	AP1000620	4014486469608
D 950					
1	ENGINE	41998700	1	no AP	
1	ENGINE	D41998700	1	no AP	
2	COUNTERSHAFT (PRIMARY)	41996400	1	AP1002071	4014486475579
3	HYDRAULIC PUMP DRIVE	41922200	1	AP1000186	4014486462159
4	GEAR BOX	41994300	1	AP1001215	4014486497748
5	REEL DRIVE - VARIATOR PULLEY	41962000	1	AP1003383	4014486462241
6	REEL DRIVE	41939300	1	AP1000366	4014486466287
7		41926100	1	AP1000224	4014486462913
8	COUNTERSHAFT DRIVE	41903000	1	AP1003366	4014486460872
9	FEEDER AUGER	41982400	1	AP1000585	4014486469066
10	MAIN BLOWER SHAKER BEATER	41974300	1	AP1001357	4014486474718
11	FILLING AUGER	41938900	1	AP1000356	4014486466133
12	THRESHING DRUM/FAN	41974300	1	AP1001357	4014486474718
14	BEATER RETURN ELEVATOR	41932800	1	AP1000292	4014486464825
14	BEATER RETURN ELEVATOR	D41932800	1	AP1000292	4014486464825
15		41904900	1	AP1000112	4014486461183
17	COUNTERSHAFT DRIVE	41954800	1	AP1003536	4014486470598
18	COUNTERSHAFT DRIVE	41995700	1	AP1001429	4014486459371
18	COUNTERSHAFT DRIVE	D41995700	1	AP1001429	4014486459371
19	DRIVING GEAR FOR AUGER	41955800	1	AP1000757	4014486471588
20		41962600	1	AP1000201	4014486462395
MF 27					
2	CRANKSHAFT - COUNTERSHAFT	41964300	1	AP1003405	4014486463309
MF 29					
2	CRANKSHAFT - COUNTERSHAFT	41964300	1	AP1003405	4014486463309
MF 30					
20	DUST EXTRACTOR - COUNTERSHAFT	41936700	1	AP1000327	4014486465556
MF 31					
2	COUNTERSHAFT - CRANKSHAFT	41964300	1	AP1003405	4014486463309
MF 32					
20	DUST EXTRACTOR - COUNTERSHAFT	41936700	1	AP1000327	4014486465556
MF 38					
2	COUNTERSHAFT (DIESEL ENGINE)	41979400	1	AP1001251	4014486492071
22	COUNTERSHAFT DRIVE	41937500	2	AP1005136	4044978203380

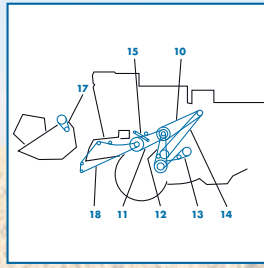


FENDT

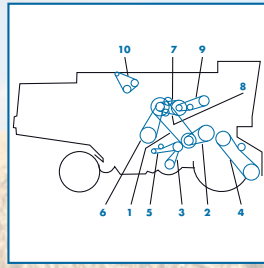
NR.	DRIVE	PART NUMBER	SET	AP NR.	EAN
		340433422	1	AP1005145	4044978203472
		344311318	1	AP1005160	
		F934201040020	1	AP1002646	4014486480849
		X696.612.313.000	2	AP1005041	4014486920444
		X696.613.200.000	1	AP1005040	4014486920451
		X696.615.603.000	1	AP1002475	
		X696.618.300.000	1	AP1005041	4014486920444
		X696.628.000.000	1	AP1005042	4014486920437
		X697.173.500.000	1	AP1005043	4014486920352
5250					
1		340433422	1	AP1005145	4044978203472
2		340433253	1	AP1000231	4014486520491
2		LA340433253	1	AP1000231	4014486520491
3		340433197	1	AP1000164	4014486461879
4		344311227	1	AP1001820	4014486488371
4		LA344311227	1	AP1001820	4014486488371
5		344312128	1	AP1003623	4014486487503
5		LA344312128	1	AP1003623	4014486487503
6		LA340433984	1	AP1001346	4014486474596
6		340433984	1	AP1001346	4014486474596
7		340435152	1	AP1001539	4014486460582
7		LA340435152	1	AP1001539	4014486460582
8		344311318	1	AP1005160	4044978207234
8		LA344311318	1	AP1005160	4044978207234
9		340433539	1	AP1001120	4014486497069
9		LA340433539	1	AP1001120	4014486497069
10		340433474	1	AP1000789	4014486472059
10		LA340433474	1	AP1000789	4014486472059
11		344311131	1	AP1001640	4014486485929
11		LA344311131	1	AP1001640	4014486485929
12		344311151	1	AP1001717	4014486486995
13		344311123	1	AP1001622	4014486485554
13		LA344311123	1	AP1001622	4014486485554
14		340435150	1	AP1001422	4014486459296
14		LA340435150	1	AP1001422	4014486459296
15		344311117	1	AP1003592	4014486484939
15		LA344311117	1	AP1003592	4014486484939
16		340433154	1	AP1003374	4014486461343
16		LA340433154	1	AP1003374	4014486461343
17		340433253	1	AP1000231	4014486520491
17		LA340433253	1	AP1000231	4014486520491
18		340434138	1	AP1001061	4014486496451
18		LA340434138	1	AP1001061	4014486496451
19		340433423	1	AP1000613	4014486469509
6300					
1	DRUM DRIVE	41979900	1	AP1003576	4014486492217
2	THRESHING DRUM VARIATOR DRIVE	41978000	1	AP1001304	4014486492620
3	DISPOSAL SHAFT DRIVE	41978100	1	AP1003962	4014486485608
4	THRESHER DRIVE (SECONDARY)	41937800	2	AP1004428	4014486715279
5	MOVEMENT DRIVE	41990057	1	AP1003659	4014486490503
6	CRUSHER DRIVE	41979600	1	AP1003347	4014486486285
6330					
1	DRUM DRIVE	41979900	1	AP1003576	4014486492217
2	THRESHING DRUM VARIATOR DRIVE	41978000	1	AP1001304	4014486492620



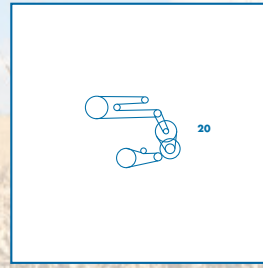
E 514 LEFT



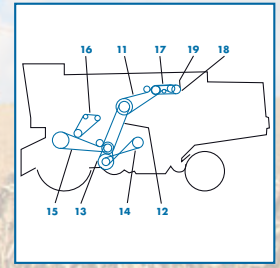
E 514 RIGHT



E 516 - E 517 LEFT



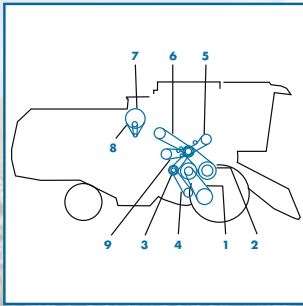
E 516 - E 517 MIDDLE



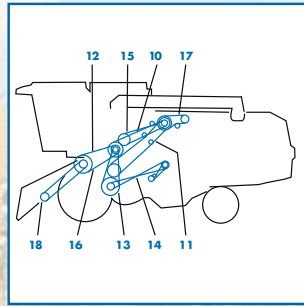
E 516 - E 517 RIGHT

FORTSCHRITT

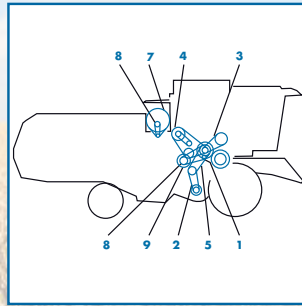
NR.	DRIVE	PART NUMBER	SET	AP NR.	EAN
		61011077	1	AP1005153	4044978203533
		4240044262	2	AP1005152	4044978203526
		4240044270	2	AP1005153	4044978203533
		4270722244	1	AP1003589	4014486460315
		9911860628	2	AP1000615	4014486469530
		9911860628	2	AP1000615	4014486469530
		06014350	2	AP1002132	4014486476378
		061011077	1	AP1005153	4044978203533
		4250129747	1	AP1003314	4014486477832
		4254138832	1	AP1002185	4014486477290
		4254138832	1	AP1002185	4014486477290
		4254138832	1	AP1002185	4014486477290
		4254138832	1	AP1002185	4014486477290
		4260700023	2	AP1002721	4014486476927
		4260700023	2	AP1002721	4014486476927
E 514					
	10	4250121764	1	AP1003650	4014486489354
	16	4250121780	1	AP1001663	4014486486193
E 516					
	1	4240023362	1	AP1001207	4014486497663
	2	4240023387	1	AP1001956	4014486490633
	3	4240023354	1	AP1001000	4014486497236
	4	4240023395	1	AP1003652	4014486489491
	5	4240044287	1	AP1002079	4014486475692
	6	4240044295	1	AP1003680	4014486477061
	6	4250121772	1	AP1001617	4014486485479
	7	4240044301	1	AP1002148	4014486476637
	8	4240044246	2	AP1000615	4014486469530
	9	4240044270	2	AP1005153	4044978203533
	10	9911861645	1	AP1002076	4014486475654
	11	4240023370	1	AP1001990	4014486491104
	12	4240044254	2	AP1002231	4014486477931
	13	4240046545	2	AP1002988	4014486475609
	14	4240040388	1	AP1002185	4014486477290
	15	4240023395	1	AP1003652	4014486489491
	16	4240044301	1	AP1002148	4014486476637
	17	4240044262	2	AP1005152	4044978203526
	19	4240043405	2	AP1002132	4014486476378
	20	4240043413	1	AP1004703	4014486719284
E 516 B					
	1	4240023362	1	AP1001207	4014486497663
	2	4240023387	1	AP1001956	4014486490633
	3	4240023354	1	AP1001000	4014486497236
	4	4240023395	1	AP1003652	4014486489491
	5	4240044287	1	AP1002079	4014486475692
	6	4240044295	1	AP1003680	4014486477061
	7	4240044301	1	AP1002148	4014486476637
	8	4240044246	2	AP1000615	4014486469530
	9	4240044270	2	AP1005153	4044978203533
	11	4240023370	1	AP1001990	4014486491104
	12	4240044254	2	AP1002231	4014486477931
	13	4240046545	2	AP1002988	4014486475609
	14	4240040388	1	AP1002185	4014486477290
	15	4240023395	1	AP1003652	4014486489491



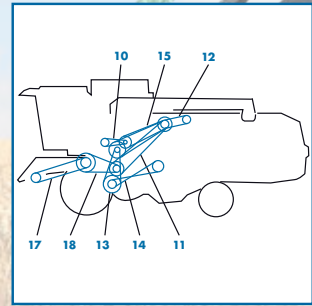
E 524 - E 525 LEFT



E 524 - E 525 RIGHT



E 527 LEFT



E 527 RIGHT

FORTSCHRITT

NR.	DRIVE	PART NUMBER	SET	AP NR.	EAN
16		4240044301	1	AP1002148	4014486476637
17		4240044262	2	AP1005152	4044978203526
19		4240043405	2	AP1002132	4014486476378
20		4240043413	1	AP1004703	4014486719284
E 517					
1		4240023362	1	AP1001207	4014486497663
2		4240023387	1	AP1001956	4014486490633
3		4240023354	1	AP1001000	4014486497236
4		4240023395	1	AP1003652	4014486489491
5		4240044287	1	AP1002079	4014486475692
6		4240044295	1	AP1003680	4014486477061
7		4240044301	1	AP1002148	4014486476637
8		4240044246	2	AP1000615	4014486469530
9		4240044270	2	AP1005153	4044978203533
11		4240023370	1	AP1001990	4014486491104
12		4240044254	2	AP1002231	4014486477931
13		4240046545	2	AP1002988	4014486475609
14		4240040388	1	AP1002185	4014486477290
15		4240023395	1	AP1003652	4014486489491
16		4240044301	1	AP1002148	4014486476637
17		4240044262	2	AP1005152	4044978203526
19		4240043405	2	AP1002132	4014486476378
20		4240043413	1	AP1004703	4014486719284
E 524					
10		4260699985	1	AP1001901	4014486489613
11		4260699960	1	AP1001915	4014486489811
15		4260699977	1	AP1001649	4014486486018
16		4260703942	1	AP1001869	4014486489095
16		4260703942	1	AP1001869	4014486489095
18		4260715183	1	AP1001892	4014486489507
E 525					
10		4260699985	1	AP1001901	4014486489613
11		4260699960	1	AP1001915	4014486489811
15		4260699977	1	AP1001649	4014486486018
18		4260715183	1	AP1001892	4014486489507
E 527					
10		61020978	1	AP1001900	4014486489606
11		60168160	1	AP1003348	4014486489743
16		61009074	1	AP1001858	4014486488937
17		61004680	1	AP1002002	4014486491289



<h1 style="margin: 0;">GLEANER</h1>					
NR.	DRIVE	PART NUMBER	SET	AP NR.	EAN
A65					
15	FAN / ALTERNATOR (PRIOR TO ENG. SN T1 1858)	V685121585	1	AP1004124	4014486523065
A66					
1	BIN UNLOADER DRIVE	71410767	1	AP1001653	4014486486063
12	SPREADER DRIVE (PRIMARY)	71414420	1	AP1000703	4014486470871
A75					
13	SPREADER JACKSHAFT DRIVE	71414420	1	AP1000703	4014486470871
16	FAN / ALTERNATOR DRIVE (PRIOR TO ENG SN T11858)	V685121585	1	AP1004124	4014486523065
A76					
1	UNLOADER DRIVE	71410767	1	AP1001653	4014486486063
13	SPREADER DRIVE (PRIMARY)	71414420	1	AP1000703	4014486470871
A85					
1	BIN UNLOADER DRIVE	71410767	1	AP1001653	4014486486063
9	SPREADER DRIVE (PRIMARY)	71414420	1	AP1000703	4014486470871
A85-AXIAL FLOW					
11	PRIMARY CHOPPER / SPREADER DRIVE	71414420	1	AP1000703	4014486470871
18	BIN UNLOADER	71410767	1	AP1001653	4014486486063
A86					
1	BIN UNLOADER DRIVE	71410767	1	AP1001653	4014486486063
9	SPREADER DRIVE (PRIMARY)	71414420	1	AP1000703	4014486470871
A86-AXIAL FLOW					
1	BIN UNLOADER DRIVE	71410767	1	AP1001653	4014486486063
9	SPREADER DRIVE (PRIMARY)	71414420	1	AP1000703	4014486470871
R65 - R75					
7	PROPEL PUMP DRIVE HYDRO (R65 - PRIOR TO SN HR62101)	71418977	1	AP1003358	4014486488463
10	ALTERNATOR / FAN DRIVE (EFF. SN HR62101)	V685121585	1	AP1004124	4014486523065
10	ALTERNATOR / FAN DRIVE (PRIOR. ENG. SN T1 1858)	V685121585	1	AP1004124	4014486523065



GOMSELMASH

NR.	DRIVE	PART NUMBER	SET	AP NR.	EAN
16		3-HB 3350	1	AP1001869	4014486489095
16		3-HB 3350 A	1	AP1001869	4014486489095
		3-HB 2907	1	AP1003636	4014486488821
		13x1230	1	AP1004352	4014486713961
		13x3030	1	AP1003857	4014486520736
		13x3580	1	AP1000174	4014486462029
		14x10x887	1	AP1003942	4014486521153
		14x10x937	1	AP1003934	4014486519259
		16x11x1650	1	AP1003932	4014486467697
		17x1220	1	AP1004036	4014486518481
		17x1670	1	AP1000238	
		17x1790	1	AP1003419	4014486463699
		17x1890	1	AP1003423	4014486463965
		17x2100	1	AP1000272	
		17x2140	1	AP1004414	4014486714791
		17x2950	1	AP1000336	4014486465792
		17x4200	1	AP1005168	4044978207074
		22x5000	1	AP1004192	4014486558425
		2-HB 4062	1	AP1004262	4014486683080
		2-HB 4062 „K“	1	AP1004262	4014486683080
		2-HBx1912	1	AP1003872	4014486484670
		2-HBx2050	1	AP1001572	
		2-HBx2162	1	AP1001582	4014486484892
		2-HBx2362	1	AP1003873	4014486485127
		2-HBx2440	1	AP1005170	4044978207128
		2-HBx2470	1	AP1005171	4044978207135
		2-HBx2512	1	AP1003961	4014486485264
		2-HBx2512 A	1	AP1004098	4014486520613
		2-HBx2662	1	AP1001609	4014486485363
		2-HBx2907	1	AP1003878	4014486485585
		2-HBx2962	1	AP1003962	4014486485608
		2-HBx2962 A	1	AP1001625	4014486485646
		2-HBx3110	1	AP1003607	4014486485721
		2-HBx3212	1	AP1003882	4014486485790
		2-HBx3212 A	1	AP1001634	4014486485820
		2-HBx3812	1	AP1001663	4014486486193
		2-HBx4250	1	AP1005172	4044978207142
		2-HBx4812	1	AP1003887	4014486486568
		38x18x1500	1	AP1001003	4014486497267
		3-HB 1900	1	AP1004264	4014486683141
		3-HBx2162	1	AP1001814	4014486488272
		3-HBx2600	1	AP1005174	4044978207180
		2-HBx5580	1	AP1005173	4044978207166
		3-HBx2886	1	AP1005118	4044978162991
		3-HBx2886	1	AP1005118	4044978162991
		3-HBx3260	1	AP1005175	4044978207197
		3-HBx3612	1	AP1003331	4014486489224
		3-HBx3762	1	AP1003649	4014486489323
		3-HBx3812	1	AP1003929	4014486489361
		3-HBx3812 A	1	AP1001884	4014486489408
		3-HBx4062	1	AP1003652	
		3-HBx4985	1	AP1003965	4014486489781
		3-HBx7600	1	AP1005176	4044978207203
		4-HAx2240	1	AP1004190	4014486558258
		4-HB 2500	1	AP1004263	4014486683202
		4-HB 2500 K	1	AP1004263	4014486683202
		4-HBx1912	1	AP1003928	4014486490466



GRIMME

NR.	DRIVE	PART NUMBER	SET	AP NR.	EAN
		B95.02293	3	AP1001884	4014486489408
		B95.02294	3	AP1004587	4014486717792
		B95.02001	2	AP1004893	4014486713923
		B95.02004	4	AP1004883	4014486714630
		B95.02005	2	AP1004883	4014486714630
		B95.02006	1	AP1000233	4014486463293
		B95.02008	1	AP1000339	4014486520217
		B95.02009	1	AP1000356	4014486466133
		B95.02017	1	AP1004447	4014486715484
		B95.02025	1	AP1000501	4014486467765
		B95.02026	1	AP1004449	4014486715507
		B95.02033	1	AP1000511	4014486467895
		B95.02035	1	AP1004451	4014486715521
		B95.02044	1	AP1004739	4014486718966
		B95.02045	4	AP1002182	4014486477252
		B95.02047	1	AP1001358	4014486474725
		B95.02049	1	AP1004742	4014486720297
		B95.02070	1	AP1000349	4014486466041
		B95.02079	1	AP1000502	4014486467772
		B95.02090	1	AP1000633	4014486469868
		B95.02104	1	no AP	
		B95.02106	1	AP1002460	4014486493436
		B95.02111	4	AP1004771	4014486716832
		B95.02113	4	AP1002185	4014486477290
		B95.02114	4	AP1000274	4014486520187
		B95.02116	4	AP1002173	4014486477085
		B95.02117	2	AP1005136	4044978203380
		B95.02118	2	AP1003419	4014486463699
		B95.02120	1	AP1000675	4014486470475
		B95.02122	1	AP1000504	4014486467826
		B95.02124	1	AP1004453	4014486715545
		B95.02125	2	AP1002167	4014486476958
		B95.02126	2	AP1002197	4014486477467
		B95.02127	2	AP1005153	4044978203533
		B95.02128	3	AP1002185	4014486477290
		B95.02131	2	AP1000520	4014486468007
		B95.02134	2	AP1000508	4014486467864
		B95.02138	4	AP1004783	4014486716948
		B95.02142	2	AP1000349	4014486466041
		B95.02145	2	AP1004771	4014486716832
		B95.02146	2	AP1004774	4014486716856
		B95.02147	2	AP1000509	4014486467871
		B95.02149	4	AP1000250	4014486463866
		B95.02150	4	AP1000269	4014486464320
		B95.02151	4	no AP	
		B95.02152	4	AP1002132	4014486476378
		B95.02155	1	AP1003401	4014486463095
		B95.02158	4	AP1003415	4014486463637
		B95.02161	1	AP1000237	4014486463408
		B95.02162	5	AP1002764	4014486520002
		B95.02165	4	AP1002834	4014486463675
		B95.02166	1	AP1003412	4014486463545
		B95.02167	1	AP1005135	4044978203373
		B95.02169	1	AP1002595	4014486495980
		B95.02170	1	AP1002600	401448649607
		B95.02171	1	AP1005136	4044978203380
		B95.02188	4	AP1002154	4014486476736



GRIMME

NR.	DRIVE	PART NUMBER	SET	AP NR.	EAN
		B95.02193	4	AP1002158	4014486476781
		B95.02205	4	AP1003024	4014486476422
		B95.02206	4	AP1004766	4014486716788
		B95.02207	1	AP1000589	4014486469158
		B95.02208	4	AP1003025	4014486476873
		B95.02209	1	AP1000588	4014486469110
		B95.02210	1	AP1000593	4014486469202
		B95.02211	4	AP1004770	4014486716825
		B95.02223	3	AP1002113	4014486476149
		B95.02224	4	AP1002125	4014486476293
		B95.02225	4	AP1002136	4014486476484
		B95.02226	3	AP1000761	4014486471625
		B95.02227	3	AP1000837	4014486472646
		B95.02228	3	AP1002837	4014486462753
		B95.02229	3	AP1002888	4014486471977
		B95.02232	4	AP1002129	4014486476347
		B95.02239	1	AP1002099	4014486475937
		B95.02240	1	AP1002095	4014486475883
		B95.02241	1	AP1000260	4014486464108
		B95.02244	1	AP1001349	4014486474626
		B95.02245	1	AP1001344	4014486474572
		B95.02246	1	AP1000626	4014486469752
		B95.02247	3	AP1000828	4014486472530
		B95.02250	4	AP1002765	4014486464344
		B95.02259	1	AP1003528	4014486470277
		B95.02260	2	AP1002889	4014486469912
		B95.02261	1	AP1000870	4014486473094
		B95.02262	1	AP1002325	4014486478532
		B95.02263	1	AP1002331	4014486478624
		B95.02265	2	AP1000768	4014486471755
		B95.02269	1	AP1000263	4014486464191
		B95.02271	1	AP1004555	4014486719918
		B95.02272	3	AP1004481	4014486715804
		B95.02273	3	AP1004462	4014486715644
		B95.02274	3	AP1004478	4014486715774
		B95.02280	1	AP1002601	4014486496086
		B95.02281	1	AP1000624	4014486520262
		B95.02288	1	AP1001354	4014486474688
		B95.02289	4	no AP	
		B95.02289	4	no AP	
		B95.02290	3	AP1004777	4014486716887
		B95.02292	4	AP1004767	4014486716795
		B95.02293	1	AP1001884	4014486489408
		B95.02294	1	AP1004587	4014486717792
		B95.02302	4	no AP	
		B95.02304	2	AP1004458	4014486715606
		B95.02306	6	AP1004763	4014486719260
		B95.02308	1	AP1000580	4014486468977
		B95.02309	1	AP1002588	4014486495812
		B95.02309	1	AP1002588	4014486495812
		B95.02314	4	AP1004757	4014486719208
		B95.02317	4	no AP	
		B95.02318	3	AP1004459	4014486715613
		B95.02319	6	AP1004765	4014486716771
		B95.02322	1	no AP	
		B95.02325	3	AP1004479	4014486715781
		B95.02326	3	AP1004465	4014486715682



GRIMME

NR.	DRIVE	PART NUMBER	SET	AP NR.	EAN
		B95.02327	3	AP1004480	4014486715798
		B95.02328	3	AP1004483	4014486715828
		B95.02329	3	AP1000828	4014486472530
		B95.02330	3	AP1004460	4014486715620
		B95.02331	1	AP1004557	4014486719932
		B95.02332	3	AP1004484	4014486715835
		B95.02333	1	AP1004858	4014486717679
		B95.02336	1	AP1004554	4014486719901
		B95.02337	1	AP1004553	4014486719895
		B95.02338	1	AP1004552	4014486719888
		B95.02339	1	AP1000740	4014486471366
		B95.02341	4	AP1004759	4014486719222
		B95.02342	2	AP1004768	4014486716801
		B95.02343	4	AP1004761	4014486719246
		B95.02348	4	AP1004756	4014486719192
		B95.05842	1	AP1004578	4014486717709
		B95.05854	1	no AP	
		B95.05856	3	AP1004762	4014486719253
		B95.05866	1	AP1004415	4014486715262
		B95.05873	4	AP1004732	4014486719024
		B95.05876	1	no AP	
		B95.05891	1	AP1004556	4014486719925
		B95.05902	2	AP1004414	4014486714791
		B95.05934	4	no AP	



JOHN DEERE

NR.	DRIVE	PART NUMBER	SET	AP NR.	EAN
330					
1	REEL DRIVE VARIABLE SPEED	Z20459	1	AP1003583	4014486459029
2	STRAW ELEVATOR DRIVE	Z20460	1	AP1000697	4014486470789
3	REEL DRIVE	Z20562	1	AP1000753	4014486471526
4	HYDRAULIC PUMP DRIVE	Z21171	1	AP1000113	4014486461206
4	HYDRAULIC PUMP DRIVE	Z21254	1	AP1000116	4014486461251
4	HYDRAULIC PUMP DRIVE	Z23752	1	AP1000095	4014486460933
5	UNLOADING SYSTEM	Z21398	1	AP1000561	4014486468601
5	UNLOADING SYSTEM	Z21400	1	AP1000563	4014486468656
6	THRESHING DRUM VARIATOR DRIVE	Z21401	1	no AP	
6	THRESHING DRUM VARIATOR DRIVE	Z21402	1	no AP	
7	SICKLE KNIFE DRIVE	Z23693	1	AP1000695	4014486470765
9	FAN DRIVE VARIABLE SPEED	Z20459	1	AP1003583	4014486459029
10	FAN DRIVE	Z20703	1	AP1003534	4014486470536
11	CYLINDER DRIVE	Z20823	1	AP1001507	4014486460223
12	ROTARY SCREEN - ELEVATOR	Z20743	1	AP1003505	4014486469196
430					
1	REEL DRIVE VARIABLE SPEED	Z20459	1	AP1003583	4014486459029
2	STRAW ELEVATOR DRIVE	Z20460	1	AP1000697	4014486470789
3	REEL DRIVE	Z20562	1	AP1000753	4014486471526
4	HYDRAULIC PUMP DRIVE	Z21171	1	AP1000113	4014486461206
4	HYDRAULIC PUMP DRIVE	Z21254	1	AP1000116	4014486461251
4	HYDRAULIC PUMP DRIVE	Z23752	1	AP1000095	4014486460933
5	UNLOADING SYSTEM	Z21398	1	AP1000561	4014486468601
5	UNLOADING SYSTEM	Z21400	1	AP1000563	4014486468656
6	THRESHING DRUM VARIATOR DRIVE	Z21401	1	no AP	
6	THRESHING DRUM VARIATOR DRIVE	Z21402	1	no AP	
7	SICKLE KNIFE DRIVE	Z23693	1	AP1000695	4014486470765
9	FAN DRIVE VARIABLE SPEED	Z20459	1	AP1003583	4014486459029
10	FAN DRIVE	Z20703	1	AP1003534	4014486470536
11	CYLINDER DRIVE	Z20823	1	AP1001507	4014486460223
12	ROTARY SCREEN - ELEVATOR	Z20743	1	AP1003505	4014486469196
530					
1	REEL DRIVE VARIABLE SPEED	Z20459	1	AP1003583	4014486459029
2	REEL DRIVE	Z20562	1	AP1000753	4014486471526
3	HYDRAULIC PUMP DRIVE	Z21171	1	AP1000113	4014486461206
3	HYDRAULIC PUMP DRIVE	Z21254	1	AP1000116	4014486461251
4	UNLOADING SYSTEM	Z21398	1	AP1000561	4014486468601
4	UNLOADING SYSTEM	Z21400	1	AP1000563	4014486468656
5	THRESHING DRUM VARIATOR DRIVE	Z21403	1	no AP	
6	SICKLE KNIFE DRIVE	Z21500	1	AP1001103	4014486496857
7	STRAW ELEVATOR DRIVE	Z21501	1	AP1001102	4014486496840
9	FAN DRIVE VARIABLE SPEED	Z20459	1	AP1003583	4014486459029
10	FAN DRIVE	Z20703	1	AP1003534	4014486470536
11	ROTARY SCREEN - ELEVATOR	Z20743	1	AP1003505	4014486469196
12	CYLINDER DRIVE	Z20823	1	AP1001507	4014486460223
13	HYDRAULIC PUMP DRIVE - ENGINE	Z22208	1	AP1002554	4014486494914
630					
1	REEL DRIVE VARIABLE SPEED	Z20459	1	AP1003583	4014486459029
2	REEL DRIVE	Z20562	1	AP1000753	4014486471526
3	HYDRAULIC PUMP DRIVE	Z21171	1	AP1000113	4014486461206
3	HYDRAULIC PUMP DRIVE	Z21254	1	AP1000116	4014486461251
4	UNLOADING SYSTEM	Z21398	1	AP1000561	4014486468601



JOHN DEERE

NR.	DRIVE	PART NUMBER	SET	AP NR.	EAN
4	UNLOADING SYSTEM	Z21400	1	AP1000563	4014486468656
5	THRESHING DRUM VARIATOR DRIVE	Z21403	1	no AP	
6	SICKLE KNIFE DRIVE	Z21500	1	AP1001103	4014486496857
7	STRAW ELEVATOR DRIVE	Z21501	1	AP1001102	4014486496840
9	FAN DRIVE VARIABLE SPEED	Z20459	1	AP1003583	4014486459029
10	FAN DRIVE	Z20703	1	AP1003534	4014486470536
11	ROTARY SCREEN - ELEVATOR	Z20743	1	AP1003505	4014486469196
12	CYLINDER DRIVE	Z20823	1	AP1001507	4014486460223
13	HYDRAULIC PUMP DRIVE - ENGINE	Z22208	1	AP1002554	4014486494914
730					
1	REEL DRIVE VARIABLE SPEED	Z20459	1	AP1003583	4014486459029
2	REEL DRIVE	Z20562	1	AP1000753	4014486471526
3	HYDRAULIC PUMP DRIVE	Z21254	1	AP1000116	4014486461251
4	UNLOADING SYSTEM	Z21400	1	AP1000563	4014486468656
5	SICKLE KNIFE DRIVE	Z21500	1	AP1001103	4014486496857
5	SICKLE KNIFE DRIVE	Z21501	1	AP1001102	4014486496840
6	STRAW ELEVATOR DRIVE	Z21501	1	AP1001102	4014486496840
7	THRESHING DRUM VARIATOR DRIVE	Z22648	1	no AP	
9	FAN DRIVE VARIABLE SPEED	Z20459	1	AP1003583	4014486459029
10	FAN DRIVE	Z20703	1	AP1003534	4014486470536
11	ROTARY SCREEN - ELEVATOR	Z20743	1	AP1003505	4014486469196
12	CYLINDER DRIVE	Z20823	1	AP1001507	4014486460223
13	HYDRAULIC PUMP DRIVE - ENGINE	Z22208	1	AP1002554	4014486494914
930					
1	REEL DRIVE	Z20562	1	AP1000753	4014486471526
2	REEL DRIVE VARIABLE SPEED	Z20459	1	AP1003583	4014486459029
2	REEL DRIVE VARIABLE SPEED	Z30692	1	AP1001407	4014486459142
3	SICKLE KNIFE DRIVE	Z23693	1	AP1000695	4014486470765
4	STRAW ELEVATOR DRIVE	Z21501	1	AP1001102	4014486496840
4	STRAW ELEVATOR DRIVE	Z30130	1	AP1001111	4014486496949
5	TRACTION VARIATOR DRIVE	Z31367	1	AP1001452	4014486459609
7	UNLOADING SYSTEM	Z21400	1	AP1000563	4014486468656
9	STRAW WALKER DRIVE	Z25473	1	AP1000558	4014486468557
10	PURIFY DRIVE	Z31283	1	AP1000038	4014486460759
11	FAN DRIVE	Z20703	1	AP1003534	4014486470536
12	FAN DRIVE VARIABLE SPEED	Z20459	1	AP1003583	4014486459029
13	CYLINDER VARIATOR DRIVE	Z20823	1	AP1001507	4014486460223
14	ROTARY SCREEN DRIVE	Z28458	1	AP1005144	4044978203465
940					
1	REEL DRIVE	Z20562	1	AP1000753	4014486471526
2	REEL DRIVE VARIABLE SPEED	Z20459	1	AP1003583	4014486459029
2	REEL DRIVE VARIABLE SPEED	Z30692	1	AP1001407	4014486459142
3	SICKLE KNIFE DRIVE	Z23693	1	AP1000695	4014486470765
4	STRAW ELEVATOR DRIVE	Z21501	1	AP1001102	4014486496840
4	STRAW ELEVATOR DRIVE	Z30130	1	AP1001111	4014486496949
5	TRACTION VARIATOR DRIVE	Z31367	1	AP1001452	4014486459609
7	UNLOADING SYSTEM	Z21400	1	AP1000563	4014486468656
9	STRAW WALKER DRIVE	Z25473	1	AP1000558	4014486468557
10	PURIFY DRIVE	Z31283	1	AP1000038	4014486460759
11	FAN DRIVE	Z20703	1	AP1003534	4014486470536
12	FAN DRIVE VARIABLE SPEED	Z20459	1	AP1003583	4014486459029
13	CYLINDER VARIATOR DRIVE	Z20823	1	AP1001507	4014486460223
14	ROTARY SCREEN DRIVE	Z28458	1	AP1005144	4044978203465



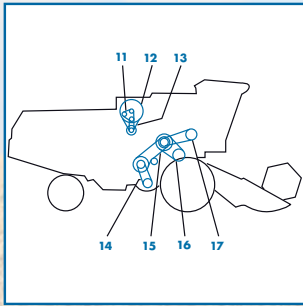
JOHN DEERE

NR.	DRIVE	PART NUMBER	SET	AP NR.	EAN
950					
1	REEL DRIVE	Z20562	1	AP1000753	4014486471526
2	REEL DRIVE VARIABLE SPEED	Z20459	1	AP1003583	4014486459029
2	REEL DRIVE VARIABLE SPEED	Z30692	1	AP1001407	4014486459142
3	SICKLE KNIFE DRIVE	Z30130	1	AP1001111	4014486496949
4	STRAW ELEVATOR DRIVE	Z21501	1	AP1001102	4014486496840
6	THRESHING DRUM VARIATOR DRIVE	Z21403	1	no AP	
6	THRESHING DRUM VARIATOR DRIVE	Z29962	1	AP1004146	4014486523270
6	THRESHING DRUM VARIATOR DRIVE	Z32173	1	AP1001979	4014486490961
7	UNLOADING SYSTEM	Z21400	1	AP1000563	4014486468656
10	PURIFY DRIVE	Z31283	1	AP1000038	4014486460759
11	FAN DRIVE	Z20703	1	AP1003534	4014486470536
12	FAN DRIVE VARIABLE SPEED	Z20459	1	AP1003583	4014486459029
13	CYLINDER VARIATOR DRIVE	Z20823	1	AP1001507	4014486460223
14	ROTARY SCREEN DRIVE	Z28458	1	AP1005144	4044978203465
16	STRAW WALKER DRIVE	Z25473	1	AP1000558	4014486468557
16	STRAW WALKER DRIVE	Z25473	1	AP1000558	4014486468557
952					
1	REEL DRIVE	Z20562	1	AP1000753	4014486471526
2	REEL DRIVE VARIABLE SPEED	Z20459	1	AP1003583	4014486459029
2	REEL DRIVE VARIABLE SPEED	Z30692	1	AP1001407	4014486459142
3	SICKLE KNIFE DRIVE	Z30130	1	AP1001111	4014486496949
4	STRAW ELEVATOR DRIVE	Z21501	1	AP1001102	4014486496840
4	STRAW ELEVATOR DRIVE	Z32568	1	AP1004129	4014486523119
6	MAIN DRIVE	Z21403	1	no AP	
7	UNLOADING SYSTEM	Z21400	1	AP1000563	4014486468656
9	STRAW CHOPPER DRIVE	Z33774	1	AP1000401	4014486466645
11	PURIFY DRIVE	Z31283	1	AP1000038	4014486460759
12	FAN DRIVE	Z34405	1	AP1000675	4014486470475
13	FAN DRIVE VARIABLE SPEED	Z20459	1	AP1003583	4014486459029
14	CYLINDER VARIATOR DRIVE	Z20823	1	AP1001507	4014486460223
15	ROTARY SCREEN DRIVE	Z20743	1	AP1003505	4014486469196
15	WATERPUMP DRIVE	Z32190	1	AP1000002	4014486458985
955					
1	REEL DRIVE	Z20562	1	AP1000753	4014486471526
2	REEL DRIVE VARIABLE SPEED	Z20459	1	AP1003583	4014486459029
2	REEL DRIVE VARIABLE SPEED	Z30692	1	AP1001407	4014486459142
3	SICKLE KNIFE DRIVE	Z30130	1	AP1001111	4014486496949
4	STRAW ELEVATOR DRIVE	Z21501	1	AP1001102	4014486496840
4	STRAW ELEVATOR DRIVE	Z32568	1	AP1004129	4014486523119
6	MAIN DRIVE	Z21403	1	no AP	
7	UNLOADING SYSTEM	Z21400	1	AP1000563	4014486468656
9	STRAW CHOPPER DRIVE	Z33774	1	AP1000401	4014486466645
10	PURIFY DRIVE	Z31283	1	AP1000038	4014486460759
10	STRAW WALKER DRIVE	Z32883	1	AP1000158	4014486461800
11	FAN DRIVE	Z34405	1	AP1000675	4014486470475
12	FAN DRIVE VARIABLE SPEED	Z20459	1	AP1003583	4014486459029
13	CYLINDER VARIATOR DRIVE	Z20823	1	AP1001507	4014486460223
15	ROTARY SCREEN DRIVE	Z20743	1	AP1003505	4014486469196
15	WATERPUMP DRIVE	Z32190	1	AP1000002	4014486458985
960					
1	REEL DRIVE	Z20562	1	AP1000753	4014486471526
2	REEL DRIVE VARIABLE SPEED	Z20459	1	AP1003583	4014486459029

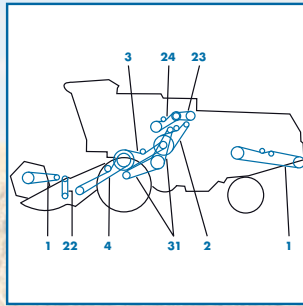


JOHN DEERE

NR.	DRIVE	PART NUMBER	SET	AP NR.	EAN
2	REEL DRIVE VARIABLE SPEED	Z30692	1	AP1001407	4014486459142
3	SICKLE KNIFE DRIVE	Z30130	1	AP1001111	4014486496949
4	STRAW ELEVATOR DRIVE	Z21501	1	AP1001102	4014486496840
6	THRESHING DRUM VARIATOR DRIVE	Z21403	1	no AP	
6	THRESHING DRUM VARIATOR DRIVE	Z29962	1	AP1004146	4014486523270
6	THRESHING DRUM VARIATOR DRIVE	Z32173	1	AP1001979	4014486490961
7	UNLOADING SYSTEM	Z21400	1	AP1000563	4014486468656
10	PURIFY DRIVE	Z31283	1	AP1000038	4014486460759
11	FAN DRIVE	Z20703	1	AP1003534	4014486470536
12	FAN DRIVE VARIABLE SPEED	Z20459	1	AP1003583	4014486459029
13	CYLINDER VARIATOR DRIVE	Z20823	1	AP1001507	4014486460223
14	ROTARY SCREEN DRIVE	Z28458	1	AP1005144	4044978203465
16	STRAW WALKER DRIVE	Z25473	1	AP1000558	4014486468557
965					
1	REEL DRIVE	Z20562	1	AP1000753	4014486471526
2	REEL DRIVE VARIABLE SPEED	Z20459	1	AP1003583	4014486459029
3	MAIN DRIVE	Z33790	1	AP1001995	4014486491180
4	UNLOADING SYSTEM	Z33368	1	AP1000603	4014486469370
5	HYDRAULIC PUMP DRIVE	Z34828	1	AP1003397	4014486462821
6	TRACTION DRIVE	AZ22914	2	AP1001109	4014486496925
8	STRAW ELEVATOR DRIVE	Z21500	1	AP1001103	4014486496857
10	RADIATOR FAN DRIVE	Z24833	1	no AP	
11	PURIFY DRIVE	Z31283	1	AP1000038	4014486460759
12	COUNTERSHAFT - PURIFY DRIVE	Z32190	1	AP1000002	4014486458985
13	CYLINDER DRIVE	Z20823	1	AP1001507	4014486460223
14	FAN DRIVE	Z34405	1	AP1000675	4014486470475
15	SICKLE KNIFE DRIVE	Z30130	1	AP1001111	4014486496949
970					
1	REEL DRIVE	Z20562	1	AP1000753	4014486471526
2	REEL DRIVE VARIABLE SPEED	Z20459	1	AP1003583	4014486459029
2	REEL DRIVE VARIABLE SPEED	Z30692	1	AP1001407	4014486459142
3	SICKLE KNIFE DRIVE	Z30130	1	AP1001111	4014486496949
4	STRAW ELEVATOR DRIVE	Z21501	1	AP1001102	4014486496840
6	THRESHING DRUM VARIATOR DRIVE	Z21403	1	no AP	
6	THRESHING DRUM VARIATOR DRIVE	Z29962	1	AP1004146	4014486523270
6	THRESHING DRUM VARIATOR DRIVE	Z32173	1	AP1001979	4014486490961
7	UNLOADING SYSTEM	Z21400	1	AP1000563	4014486468656
10	PURIFY DRIVE	Z31283	1	AP1000038	4014486460759
11	FAN DRIVE	Z20703	1	AP1003534	4014486470536
12	FAN DRIVE VARIABLE SPEED	Z20459	1	AP1003583	4014486459029
13	CYLINDER VARIATOR DRIVE	Z20823	1	AP1001507	4014486460223
14	ROTARY SCREEN DRIVE	Z28458	1	AP1005144	4044978203465
16	STRAW WALKER DRIVE	Z25473	1	AP1000558	4014486468557
975					
1	REEL DRIVE	Z20562	1	AP1000753	4014486471526
2	REEL DRIVE VARIABLE SPEED	Z20459	1	AP1003583	4014486459029
3	MAIN DRIVE	Z33790	1	AP1001995	4014486491180
4	UNLOADING SYSTEM	Z33368	1	AP1000603	4014486469370
5	HYDRAULIC PUMP DRIVE	Z34828	1	AP1003397	4014486462821
6	TRACTION DRIVE	AZ22914	2	AP1001109	4014486496925
8	STRAW ELEVATOR DRIVE	Z21500	1	AP1001103	4014486496857
10	RADIATOR FAN DRIVE	Z24833	1	no AP	
11	PURIFY DRIVE	Z31283	1	AP1000038	4014486460759
12	COUNTERSHAFT - PURIFY DRIVE	Z32190	1	AP1000002	4014486458985



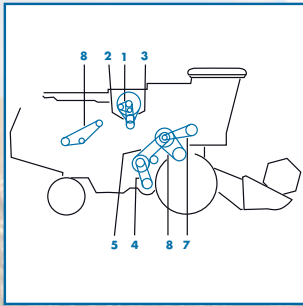
1032 - 1042 - 1052 LEFT



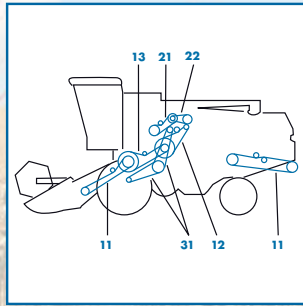
1032 - 1042 - 1052 RIGHT

JOHN DEERE

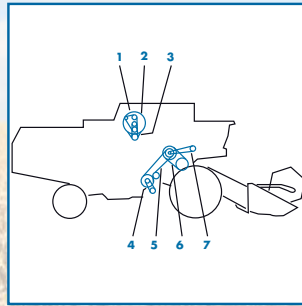
NR.	DRIVE	PART NUMBER	SET	AP NR.	EAN
13	CYLINDER DRIVE	Z20823	1	AP1001507	4014486460223
14	FAN DRIVE	Z34405	1	AP1000675	4014486470475
15	SICKLE KNIFE DRIVE	Z30130	1	AP1001111	4014486496949
985					
1	REEL DRIVE	Z20562	1	AP1000753	4014486471526
2	REEL DRIVE	Z30692	1	AP1001407	4014486459142
3	MAIN	Z33790	1	AP1001995	4014486491180
4	UNLOADING DRIVE	Z33368	1	AP1000603	4014486469370
5	HYDRAULIC PUMP DRIVE	Z34828	1	AP1003397	4014486462821
6	STRAW DISCHARGE	Z33605	1	AP1000162	4014486461848
7	HYDRAULIC PUMP DRIVE - ENGINE	CA20518	1	AP1004034	4014486518467
9	TRACTION (UPPER)	AZ22914	2	AP1001109	4014486496925
10	TRACTION (LOWER)	Z34099	1	AP1001523	4014486460421
11	MAIN DRIVE	Z38186	1	AP1001647	4014486485998
14	PURIFY DRIVE	Z37192	1	AP1004106	4014486522815
16	CYLINDER	Z37473	1	AP1003589	4014486460315
18	FAN DRIVE VARIABLE SPEED	Z20459	1	AP1003583	4014486459029
1032					
1	STRAW WALKER DRIVE	Z33774	1	AP1000401	4014486466645
2		Z46222	1	AP1001861	4014486488975
3	LEAD-IN DRIVE	Z20460	1	AP1000697	4014486470789
3	LEAD-IN DRIVE	Z21501	1	AP1001102	4014486496840
3	LEAD-IN DRIVE	Z38186	1	AP1001647	4014486485998
4	CUTTING TABLE DRIVE	Z23693	1	AP1000695	4014486470765
4	CUTTING TABLE DRIVE	Z39313	1	AP1001109	4014486496925
12	ROTARY SCREEN DRIVE	Z31283	1	AP1000038	4014486460759
13	ROTARY SCREEN DRIVE	Z32190	1	AP1000002	4014486458985
14	FAN DRIVE VARIABLE SPEED	Z41178	1	AP1001396	4014486459012
15	FAN DRIVE VARIABLE SPEED	Z34405	1	AP1000675	4014486470475
16		Z53288	1	AP1001507	4014486460223
17	ELEVATOR DRIVE UNIT	Z20743	1	AP1003505	4014486469196
21		Z44740	1	AP1000747	4014486471441
22	REEL DRIVE VARIABLE SPEED	Z36813	1	AP1001397	4014486459036
23	HYDRAULIC PUMP DRIVE	Z42382	1	AP1002811	4014486462920
24	DISCHARGE BEATER DRIVE	Z43253	1	AP1003492	4014486468465
31	MAIN DRIVE	Z36120	1	AP1001438	4014486459463
1042					
1	STRAW WALKER DRIVE	Z33774	1	AP1000401	4014486466645
2		Z46222	1	AP1001861	4014486488975
3	LEAD-IN DRIVE	Z20460	1	AP1000697	4014486470789
3	LEAD-IN DRIVE	Z21501	1	AP1001102	4014486496840
3	LEAD-IN DRIVE	Z38186	1	AP1001647	4014486485998
4	CUTTING TABLE DRIVE	Z23693	1	AP1000695	4014486470765
4	CUTTING TABLE DRIVE	Z39313	1	AP1001109	4014486496925
12	ROTARY SCREEN DRIVE	Z31283	1	AP1000038	4014486460759
13	ROTARY SCREEN DRIVE	Z32190	1	AP1000002	4014486458985
14	FAN DRIVE VARIABLE SPEED	Z41178	1	AP1001396	4014486459012
15	FAN DRIVE VARIABLE SPEED	Z34405	1	AP1000675	4014486470475
16		Z53288	1	AP1001507	4014486460223
17	ELEVATOR DRIVE UNIT	Z20743	1	AP1003505	4014486469196
21		Z44740	1	AP1000747	4014486471441
22	REEL DRIVE VARIABLE SPEED	Z36813	1	AP1001397	4014486459036
23	HYDRAULIC PUMP DRIVE	Z42382	1	AP1002811	4014486462920
24	DISCHARGE BEATER DRIVE	Z43253	1	AP1003492	4014486468465



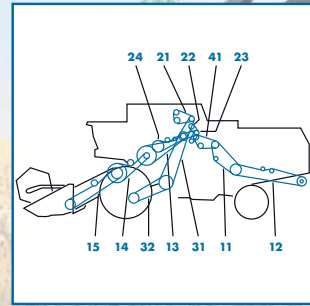
1055 LEFT



1055 RIGHT



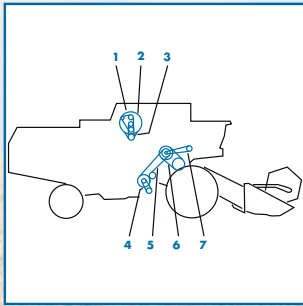
1065 - 1068 LEFT



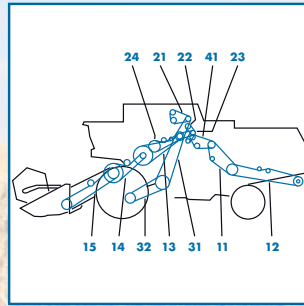
1065 - 1068 RIGHT

JOHN DEERE

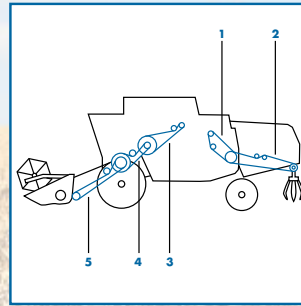
NR.	DRIVE	PART NUMBER	SET	AP NR.	EAN
31	MAIN DRIVE	Z36120	1	AP1001438	4014486459463
1052					
1	STRAW WALKER DRIVE	Z33774	1	AP1000401	4014486466645
2		Z46222	1	AP1001861	4014486488975
3	LEAD-IN DRIVE	Z20460	1	AP1000697	4014486470789
3	LEAD-IN DRIVE	Z21501	1	AP1001102	4014486496840
3	LEAD-IN DRIVE	Z38186	1	AP1001647	4014486485998
4	CUTTING TABLE DRIVE	Z23693	1	AP1000695	4014486470765
4	CUTTING TABLE DRIVE	Z39313	1	AP1001109	4014486496925
12	ROTARY SCREEN DRIVE	Z31283	1	AP1000038	4014486460759
13	ROTARY SCREEN DRIVE	Z32190	1	AP1000002	4014486458985
14	FAN DRIVE VARIABLE SPEED	Z41178	1	AP1001396	4014486459012
15	FAN DRIVE VARIABLE SPEED	Z34405	1	AP1000675	4014486470475
16		Z53288	1	AP1001507	4014486460223
17	ELEVATOR DRIVE UNIT	Z20743	1	AP1003505	4014486469196
21		Z44740	1	AP1000747	4014486471441
22	REEL DRIVE VARIABLE SPEED	Z36813	1	AP1001397	4014486459036
23	HYDRAULIC PUMP DRIVE	Z42382	1	AP1002811	4014486462920
24	DISCHARGE BEATER DRIVE	Z43253	1	AP1003492	4014486468465
31	MAIN DRIVE	Z36120	1	AP1001438	4014486459463
1055					
2	ROTARY SCREEN DRIVE	Z31283	1	AP1000038	4014486460759
3	ROTARY SCREEN DRIVE	Z32190	1	AP1000002	4014486458985
4	FAN DRIVE VARIABLE SPEED	Z41178	1	AP1001396	4014486459012
5	FAN DRIVE VARIABLE SPEED	Z34405	1	AP1000675	4014486470475
6		Z53288	1	AP1001507	4014486460223
7	ELEVATOR DRIVE UNIT	Z20743	1	AP1003505	4014486469196
8		Z35965	1	AP1003380	4014486461749
11	STRAW WALKER DRIVE	Z33774	1	AP1000401	4014486466645
12		Z21403	1	no AP	
12		Z46222	1	AP1001861	4014486488975
13	LEAD-IN DRIVE	Z21501	1	AP1001102	4014486496840
13	LEAD-IN DRIVE	Z38186	1	AP1001647	4014486485998
14	CUTTING TABLE DRIVE	Z39312	1	AP1001118	4014486497038
14	CUTTING TABLE DRIVE	Z39313	1	AP1001109	4014486496925
21	DISCHARGE BEATER DRIVE	Z43253	1	AP1003492	4014486468465
22	HYDRAULIC PUMP DRIVE	Z42382	1	AP1002811	4014486462920
1065					
1	FAN DRIVE	AR72036	1	AP1002351	4014486478846
2	ROTARY SCREEN DRIVE	Z31283	1	AP1000038	4014486460759
3	ROTARY SCREEN DRIVE	Z32190	1	AP1000002	4014486458985
4	FAN DRIVE VARIABLE SPEED	Z41178	1	AP1001396	4014486459012
5	FAN DRIVE VARIABLE SPEED	Z34405	1	AP1000675	4014486470475
6	MAIN DRIVE	Z34099	1	AP1001523	4014486460421
7	LEAD-IN DRIVE	Z21501	1	AP1001102	4014486496840
8	LEAD-IN DRIVE	Z32568	1	AP1004129	4014486523119
9	CUTTING TABLE DRIVE	Z39313	1	AP1001109	4014486496925
10	CUTTING TABLE DRIVE	Z39314	1	AP1001121	4014486497076
11	SHAKER SHAFT DRIVE	Z35965	1	AP1003380	4014486461749
12	CYLINDER VARIATOR DRIVE	Z20823	1	AP1001507	4014486460223
13	CUTTING TABLE DRIVE LEAD-IN	Z33790	1	AP1001995	4014486491180
18	REEL DRIVE VARIABLE SPEED	Z36813	1	AP1001397	4014486459036
19	REEL DRIVE VARIABLE SPEED	Z20562	1	AP1000753	4014486471526
20	MAIN DRIVE	AZ22914	2	AP1001109	4014486496925



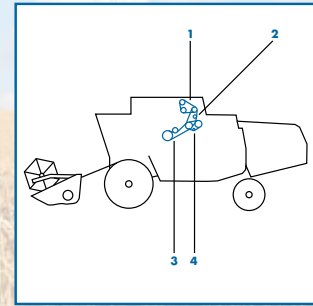
1065 - 1068 LEFT



1065 - 1068 RIGHT



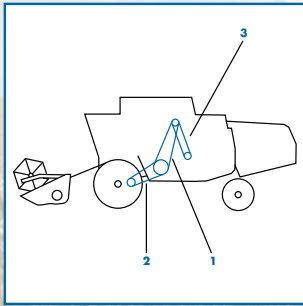
1072-1075 LEFT



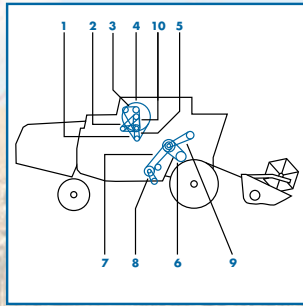
1072-1075 LEFT

JOHN DEERE

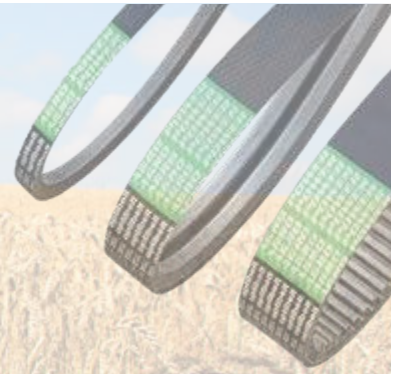
NR.	DRIVE	PART NUMBER	SET	AP NR.	EAN
21	STRAW WALKER DRIVE	Z33774	1	AP1000401	4014486466645
21	AIR CONDITIONING COMPRESSOR DRIVE SUB. FOR Z41889	Z42756	1	AP1002350	4014486478839
23	HYDROSTATIC PUMP DRIVE	Z34828	1	AP1003397	4014486462821
	AIR CONDITIONING COMPRESSOR DRIVE	CA22534	1	AP1003401	4014486463095
	DISCHARGE BEATER DRIVE	Z43253	1	AP1003492	4014486468465
1068					
1	FAN DRIVE	AR72036	1	AP1002351	4014486478846
2	ROTARY SCREEN DRIVE	Z34786	1	AP1000040	4014486460773
3	ROTARY SCREEN DRIVE	Z32190	1	AP1000002	4014486458985
4	FAN DRIVE VARIABLE SPEED	Z41178	1	AP1001396	4014486459012
5	FAN DRIVE VARIABLE SPEED	Z34405	1	AP1000675	4014486470475
6	CYLINDER VARIATOR DRIVE	Z53288	1	AP1001507	4014486460223
7		Z45026	1	AP1000261	4014486464177
11	SHAKER SHAFT DRIVE	Z35965	1	AP1003380	4014486461749
12	CYLINDER VARIATOR DRIVE	Z20823	1	AP1001507	4014486460223
12	STRAW WALKER DRIVE	Z33774	1	AP1000401	4014486466645
13	CUTTING TABLE DRIVE LEAD-IN	Z33790	1	AP1001995	4014486491180
14	LEAD-IN DRIVE (GRAIN)	Z21501	1	AP1001102	4014486496840
14	LEAD-IN DRIVE (MAIZE)	Z38186	1	AP1001647	4014486485998
15	CUTTING TABLE DRIVE	Z39312	1	AP1001118	4014486497038
15	CUTTING TABLE DRIVE	Z39313	1	AP1001109	4014486496925
15	CUTTING TABLE DRIVE	Z39314	1	AP1001121	4014486497076
21	AIR CONDITIONING COMPRESSOR DRIVE SUB. FOR Z41889	Z42756	1	AP1002350	4014486478839
22	AIR CONDITIONING COMPRESSOR DRIVE (FROM NR. 33563)	Z45482	1	AP1000224	4014486462913
23	HYDRAULIC PUMP DRIVE	Z34828	1	AP1003397	4014486462821
24		Z47911	1	AP1000604	4014486469363
32	MAIN DRIVE	Z34099	1	AP1001523	4014486460421
41		Z43863	1	AP1000036	4014486460735
1072					
1	REEL DRIVE VARIABLE SPEED	Z33790	1	AP1001995	4014486491180
3	AIR CONDITIONING COMPRESSOR DRIVE	CA22534	1	AP1003401	4014486463095
4	HYDROSTATIC PUMP DRIVE	Z34828	1	AP1003397	4014486462821
5	SHAKER SHAFT DRIVE	Z35965	1	AP1003380	4014486461749
6	MAIN DRIVE	Z21501	1	AP1001102	4014486496840
8	CUTTING TABLE DRIVE	Z39313	1	AP1001109	4014486496925
10	ROTARY SCREEN DRIVE	Z31283	1	AP1000038	4014486460759
11	ROTARY SCREEN DRIVE	Z32190	1	AP1000002	4014486458985
12	CYLINDER VARIATOR DRIVE	Z20823	1	AP1001507	4014486460223
13	FAN DRIVE VARIABLE SPEED	Z34405	1	AP1000675	4014486470475
16	REEL DRIVE VARIABLE SPEED	Z36813	1	AP1001397	4014486459036
17	REEL DRIVE VARIABLE SPEED	Z20562	1	AP1000753	4014486471526
22	STRAW WALKER DRIVE	Z33774	1	AP1000401	4014486466645
23	MAIN DRIVE	Z33967	1	AP1001497	4014486460100
1075					
1	CUTTING TABLE DRIVE LEAD-IN	Z33790	1	AP1001995	4014486491180
2	DISCHARGE BEATER DRIVE	Z33368	1	AP1000603	4014486469370
4	HYDROSTATIC PUMP DRIVE	Z34828	1	AP1003397	4014486462821
5	SHAKER SHAFT DRIVE	Z35965	1	AP1003380	4014486461749
6	MAIN DRIVE	Z34099	1	AP1001523	4014486460421
7	LEAD-IN DRIVE	Z21501	1	AP1001102	4014486496840
7	LEAD-IN DRIVE	Z38186	1	AP1001647	4014486485998
8	CUTTING TABLE DRIVE	Z39314	1	AP1001121	4014486497076
9	FAN DRIVE	AR72036	1	AP1002351	4014486478846
12	ROTARY SCREEN DRIVE	Z34786	1	AP1000040	4014486460773



1072-1075 LEFT

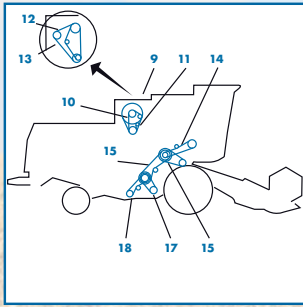


1072-1075 RIGHT

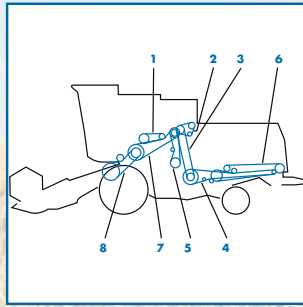


JOHN DEERE

NR.	DRIVE	PART NUMBER	SET	AP NR.	EAN
13	ROTARY SCREEN DRIVE	Z32190	1	AP1000002	4014486458985
14	CYLINDER VARIATOR DRIVE	Z37473	1	AP1003589	4014486460315
15	FAN DRIVE VARIABLE SPEED	Z34405	1	AP1000675	4014486470475
16	FAN DRIVE VARIABLE SPEED	Z41178	1	AP1001396	4014486459012
18	REEL DRIVE VARIABLE SPEED	Z36813	1	AP1001397	4014486459036
19	REEL DRIVE VARIABLE SPEED	Z20562	1	AP1000753	4014486471526
20	MAIN DRIVE	AZ22914	2	AP1001109	4014486496925
21	STRAW WALKER DRIVE	Z33774	1	AP1000401	4014486466645
1085					
1	CUTTING TABLE DRIVE LEAD-IN	Z38697	1	AP1001996	4014486491203
2	DISCHARGE BEATER DRIVE	Z33368	1	AP1000603	4014486469370
3	AIR CONDITIONING COMPRESSOR DRIVE	Z41932	1	AP1004883	4014486714630
4	HYDROSTATIC PUMP DRIVE	Z34828	1	AP1003397	4014486462821
5	SHAKER SHAFT DRIVE	Z35965	1	AP1003380	4014486461749
6	MAIN DRIVE	Z34099	1	AP1001523	4014486460421
7	LEAD-IN DRIVE	Z38186	1	AP1001647	4014486485998
10	ROTARY SCREEN DRIVE	Z38704	1	AP1000039	4014486460766
12	CYLINDER VARIATOR DRIVE	Z37473	1	AP1003589	4014486460315
13	FAN DRIVE VARIABLE SPEED	Z34405	1	AP1000675	4014486470475
14	FAN DRIVE VARIABLE SPEED	Z41178	1	AP1001396	4014486459012
16	REEL DRIVE VARIABLE SPEED	Z36813	1	AP1001397	4014486459036
17	REEL DRIVE VARIABLE SPEED	Z20562	1	AP1000753	4014486471526
19	MAIN DRIVE	AZ22914	2	AP1001109	4014486496925
22	STRAW WALKER DRIVE	Z33774	1	AP1000401	4014486466645
1088					
1		Z51212	1	AP1001027	4014486487800
3		Z34828	1	AP1003397	4014486462821
4		Z42757	1	AP1000226	4014486463026
5		Z33774	1	AP1000401	4014486466645
7		Z43889	1	AP1002707	4014486486452
9		Z46709	1	AP1001832	4014486488555
10		Z43890	1	AP1003643	4014486489156
11		Z46463	1	AP1001261	4014486492200
12		Z46365	1	AP1001404	4014486459104
13		Z44936	1	AP1001544	4014486460643
15		Z42756	1	AP1002350	4014486478839
16		Z43863	1	AP1000036	4014486460735
17		Z38704	1	AP1000039	4014486460766
1155					
1	FAN DRIVE	AR72036	1	AP1002351	4014486478846
2		Z31283	1	AP1000038	4014486460759
2		Z38704	1	AP1000039	4014486460766
4		Z20459	1	AP1003583	4014486459029
5		Z34405	1	AP1000675	4014486470475
6		Z53288	1	AP1001507	4014486460223
7		Z20743	1	AP1003505	4014486469196
8		Z35965	1	AP1003380	4014486461749
11		Z33774	1	AP1000401	4014486466645
12		Z46222	1	AP1001861	4014486488975
13		Z21501	1	AP1001102	4014486496840
14		Z39312	1	AP1001118	4014486497038
14		Z39313	1	AP1001109	4014486496925
21		Z43253	1	AP1003492	4014486468465
22		Z42382	1	AP1002811	4014486462920



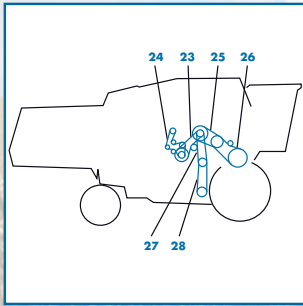
1170 LEFT



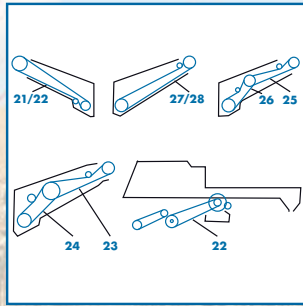
1170 RIGHT

JOHN DEERE

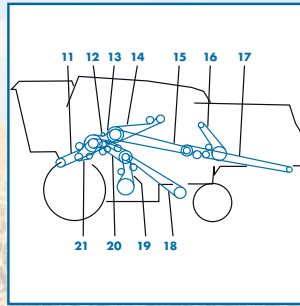
NR.	DRIVE	PART NUMBER	SET	AP NR.	EAN
1157					
1	FAN DRIVE	AR72036	1	AP1002351	4014486478846
2		Z31283	1	AP1000038	4014486460759
2		Z38704	1	AP1000039	4014486460766
4		Z20459	1	AP1003583	4014486459029
5		Z34405	1	AP1000675	4014486470475
6		Z53288	1	AP1001507	4014486460223
7		Z20743	1	AP1003505	4014486469196
8		Z35965	1	AP1003380	4014486461749
11		Z33774	1	AP1000401	4014486466645
12		Z46222	1	AP1001861	4014486488975
13		Z21501	1	AP1001102	4014486496840
14		Z39312	1	AP1001118	4014486497038
14		Z39313	1	AP1001109	4014486496925
21		Z43253	1	AP1003492	4014486468465
22		Z42382	1	AP1002811	4014486462920
1158					
1	FAN DRIVE	AR72036	1	AP1002351	4014486478846
2		Z31283	1	AP1000038	4014486460759
2		Z38704	1	AP1000039	4014486460766
4		Z20459	1	AP1003583	4014486459029
5		Z34405	1	AP1000675	4014486470475
6		Z53288	1	AP1001507	4014486460223
7		Z20743	1	AP1003505	4014486469196
8		Z35965	1	AP1003380	4014486461749
11		Z33774	1	AP1000401	4014486466645
12		Z46222	1	AP1001861	4014486488975
13		Z21501	1	AP1001102	4014486496840
14		Z39312	1	AP1001118	4014486497038
14		Z39313	1	AP1001109	4014486496925
21		Z43253	1	AP1003492	4014486468465
22		Z42382	1	AP1002811	4014486462920
1170					
5		Z46709	1	AP1001832	4014486488555
7		Z46463	1	AP1001261	4014486492200
8		Z43890	1	AP1003643	4014486489156
13		R123451	1	AP1003150	4014486481099
14		Z45026	1	AP1000261	4014486464177
16		Z44936	1	AP1001544	4014486460643
17		Z41178	1	AP1001396	4014486459012
19		Z46709	1	AP1001832	4014486488555
2054					
1		Z54406	1	AP1001122	4014486497083
1		Z55801	1	AP1000786	4014486472028
1		Z61151	1	AP1001761	4014486487442
2		Z58752	1	AP1000788	4014486472042
2		Z59419	1	AP1001125	4014486497113
3		Z59556	1	AP1000635	4014486469899
3		Z63005	1	AP1000648	4014486470093
4		Z59557	1	AP1001388	4014486475043
5		Z44936	1	AP1001544	4014486460643
6		Z53515	1	AP1001973	4014486490886
6		Z61858	1	AP1001973	4014486490886



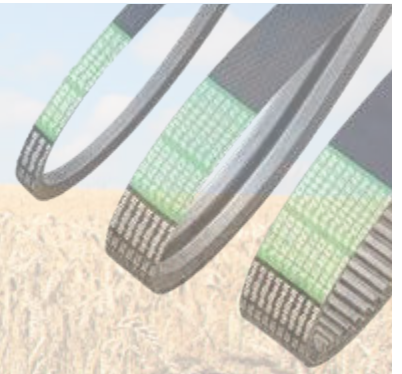
2054 - 2056 - 2058.LEFT



2054 - 2056 - 2058.MIDDLE

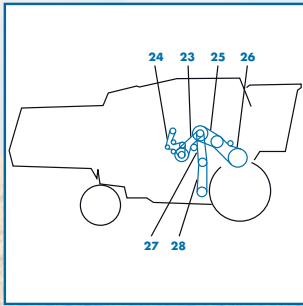


2054 - 2056 - 2058.RIGHT

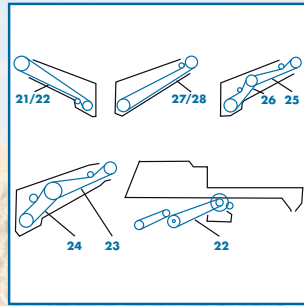


JOHN DEERE

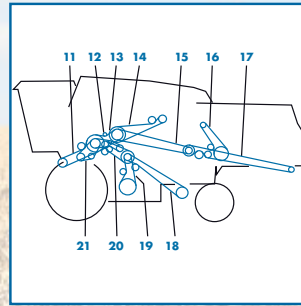
NR.	DRIVE	PART NUMBER	SET	AP NR.	EAN
7		Z62110	1	AP1001423	4014486459302
8		Z62111	1	AP1001432	4014486459401
11		Z59344	1	AP1003858	4014486519907
13		Z52909	1	AP1003856	4014486496680
13		Z61150	1	AP1001754	4014486519532
13		Z63327	1	AP1001751	4014486519525
13		Z64912	1	AP1001751	4014486519525
14		Z61857	1	AP1001190	4014486520422
15		Z59286	1	AP1001911	4014486489736
16		Z59114	1	AP1000324	4014486465488
17		Z59342	1	AP1003622	4014486487114
18		Z60135	1	AP1000395	4014486466584
19		Z59322	1	AP1000640	4014486469981
20		Z56959	1	AP1001089	4014486496710
21		Z56421	1	AP1001084	4014486496666
22		Z48212	1	AP1001769	4014486519600
23		Z60931	1	AP1003623	4014486487503
23		Z61152	1	AP1001764	4014486487473
24		Z61154	1	AP1001448	4014486459562
24		Z62211	1	AP1001449	4014486459579
25		Z54807	1	AP1001096	4014486496789
25		Z58751	1	AP1004084	4014486520453
25		Z60931	1	AP1003623	4014486487503
25		Z61152	1	AP1001764	4014486487473
26		Z55459	1	AP1001085	4014486496673
26		Z61153	1	AP1001753	4014486487367
26		Z61827	1	AP1001755	4014486519549
26		Z62213	1	AP1003856	4014486496680
27		Z54406	1	AP1001122	4014486497083
27		Z62214	1	AP1001127	4014486497137
27		Z62551	1	AP1001784	4014486519655
28		Z60930	1	AP1001784	4014486519655
28		Z62552	1	AP1001786	4014486519679
2056					
1		Z54406	1	AP1001122	4014486497083
1		Z55801	1	AP1000786	4014486472028
1		Z61151	1	AP1001761	4014486487442
2		Z58752	1	AP1000788	4014486472042
2		Z59419	1	AP1001125	4014486497113
3		Z59556	1	AP1000635	4014486469899
3		Z63005	1	AP1000648	4014486470093
4		Z59557	1	AP1001388	4014486475043
5		Z44936	1	AP1001544	4014486460643
6		Z61858	1	AP1001973	4014486490886
7		Z62110	1	AP1001423	4014486459302
8		Z62111	1	AP1001432	4014486459401
11		Z59344	1	AP1003858	4014486519907
13		Z52909	1	AP1003856	4014486496680
13		Z61150	1	AP1001754	4014486519532
13		Z64912	1	AP1001751	4014486519525
14		Z61857	1	AP1001190	4014486520422
15		Z59286	1	AP1001911	4014486489736
16		Z59114	1	AP1000324	4014486465488
17		Z59342	1	AP1003622	4014486487114
18		Z60135	1	AP1000395	4014486466584
19		Z59322	1	AP1000640	4014486469981



2058 LEFT



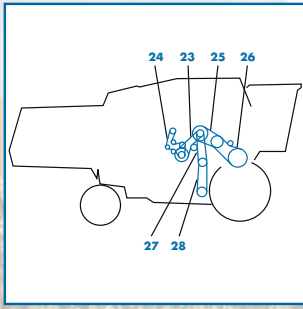
2058 MIDDLE



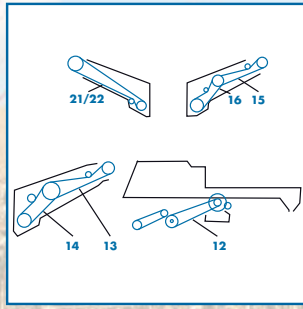
2058 RIGHT

JOHN DEERE

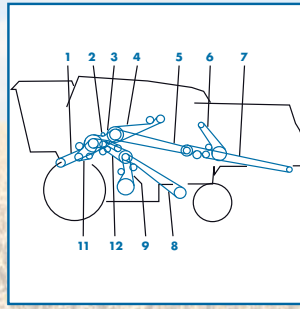
NR.	DRIVE	PART NUMBER	SET	AP NR.	EAN
20		Z56959	1	AP1001089	4014486496710
21		Z56421	1	AP1001084	4014486496666
22		Z48212	1	AP1001769	4014486519600
23		Z60931	1	AP1003623	4014486487503
23		Z61152	1	AP1001764	4014486487473
24		Z61154	1	AP1001448	4014486459562
24		Z62211	1	AP1001449	4014486459579
25		Z54807	1	AP1001096	4014486496789
25		Z58751	1	AP1004084	4014486520453
25		Z60931	1	AP1003623	4014486487503
25		Z61152	1	AP1001764	4014486487473
26		Z55459	1	AP1001085	4014486496673
26		Z61153	1	AP1001753	4014486487367
26		Z61827	1	AP1001755	4014486519549
26		Z62213	1	AP1003856	4014486496680
27		Z54406	1	AP1001122	4014486497083
27		Z62214	1	AP1001127	4014486497137
27		Z62551	1	AP1001784	4014486519655
28		Z60930	1	AP1001784	4014486519655
28		Z62552	1	AP1001786	4014486519679
2058					
1		Z54406	1	AP1001122	4014486497083
1		Z55801	1	AP1000786	4014486472028
1		Z61151	1	AP1001761	4014486487442
2		Z58752	1	AP1000788	4014486472042
2		Z59419	1	AP1001125	4014486497113
3		Z59556	1	AP1000635	4014486469899
3		Z63005	1	AP1000648	4014486470093
4		Z59557	1	AP1001388	4014486475043
5		Z44936	1	AP1001544	4014486460643
6		Z61858	1	AP1001973	4014486490886
7		Z62110	1	AP1001423	4014486459302
8		Z62111	1	AP1001432	4014486459401
11		Z59344	1	AP1003858	4014486519907
13		Z52909	1	AP1003856	4014486496680
13		Z61150	1	AP1001754	4014486519532
13		Z64912	1	AP1001751	4014486519525
14		Z61857	1	AP1001190	4014486520422
15		Z59286	1	AP1001911	4014486489736
16		Z59114	1	AP1000324	4014486465488
17		Z59342	1	AP1003622	4014486487114
18		Z60135	1	AP1000395	4014486466584
19		Z59322	1	AP1000640	4014486469981
20		Z56959	1	AP1001089	4014486496710
21		Z56421	1	AP1001084	4014486496666
22		Z48212	1	AP1001769	4014486519600
23		Z60931	1	AP1003623	4014486487503
23		Z61152	1	AP1001764	4014486487473
24		Z61154	1	AP1001448	4014486459562
24		Z62211	1	AP1001449	4014486459579
25		Z54807	1	AP1001096	4014486496789
25		Z58751	1	AP1004084	4014486520453
25		Z60931	1	AP1003623	4014486487503
25		Z61152	1	AP1001764	4014486487473
26		Z55459	1	AP1001085	4014486496673
26		Z61153	1	AP1001753	4014486487367



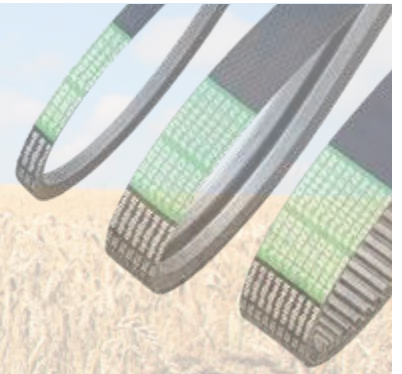
2064 LEFT



2064 MIDDLE

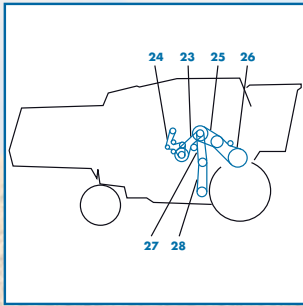


2064 RIGHT

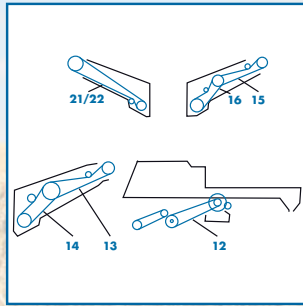


JOHN DEERE

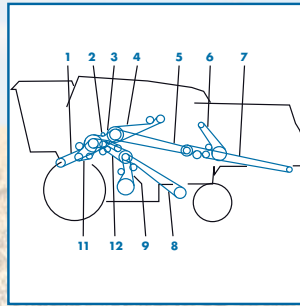
NR.	DRIVE	PART NUMBER	SET	AP NR.	EAN
26		Z61827	1	AP1001755	4014486519549
26		Z62213	1	AP1003856	4014486496680
27		Z54406	1	AP1001122	4014486497083
27		Z62214	1	AP1001127	4014486497137
27		Z62551	1	AP1001784	4014486519655
28		Z60930	1	AP1001784	4014486519655
28		Z62552	1	AP1001786	4014486519679
2064					
1		Z59344	1	AP1003858	4014486519907
1		Z61151	1	AP1001761	4014486487442
3		Z52909	1	AP1003856	4014486496680
3		Z61150	1	AP1001754	4014486519532
3		Z64912	1	AP1001751	4014486519525
4		Z61857	1	AP1001190	4014486520422
5		Z59286	1	AP1001911	4014486489736
6		Z59114	1	AP1000324	4014486465488
7		Z59342	1	AP1003622	4014486487114
8		Z60135	1	AP1000395	4014486466584
9		Z56421	1	AP1001084	4014486496666
10		Z56959	1	AP1001089	4014486496710
11		Z59322	1	AP1000640	4014486469981
12		Z48212	1	AP1001769	4014486519600
12		Z59419	1	AP1001125	4014486497113
13		Z60931	1	AP1003623	4014486487503
13		Z61152	1	AP1001764	4014486487473
14		Z61154	1	AP1001448	4014486459562
14		Z62211	1	AP1001449	4014486459579
15		Z54807	1	AP1001096	4014486496789
15		Z58751	1	AP1004084	4014486520453
15		Z60931	1	AP1003623	4014486487503
15		Z61152	1	AP1001764	4014486487473
16		Z55459	1	AP1001085	4014486496673
16		Z61153	1	AP1001753	4014486487367
16		Z61827	1	AP1001755	4014486519549
16		Z62213	1	AP1003856	4014486496680
21		Z54406	1	AP1001122	4014486497083
21		Z55801	1	AP1000786	4014486472028
22		Z58752	1	AP1000788	4014486472042
22		Z59419	1	AP1001125	4014486497113
23		Z59556	1	AP1000635	4014486469899
23		Z63005	1	AP1000648	4014486470093
24		Z59557	1	AP1001388	4014486475043
25		Z44936	1	AP1001544	4014486460643
26		Z61858	1	AP1001973	4014486490886
27		Z62110	1	AP1001423	4014486459302
28		Z62111	1	AP1001432	4014486459401
2066					
1		Z59344	1	AP1003858	4014486519907
1		Z61151	1	AP1001761	4014486487442
3		Z52909	1	AP1003856	4014486496680
3		Z61150	1	AP1001754	4014486519532
3		Z64912	1	AP1001751	4014486519525
4		Z61857	1	AP1001190	4014486520422
5		Z59286	1	AP1001911	4014486489736
6		Z59114	1	AP1000324	4014486465488



2066 LEFT



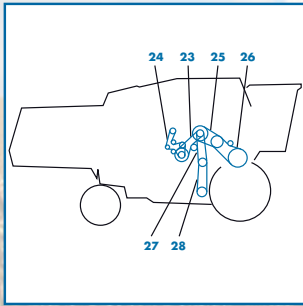
2066 MIDDLE



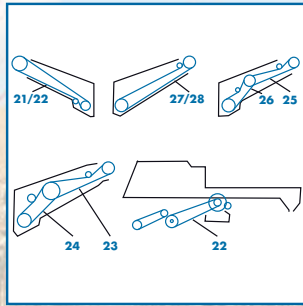
2066 RIGHT

JOHN DEERE

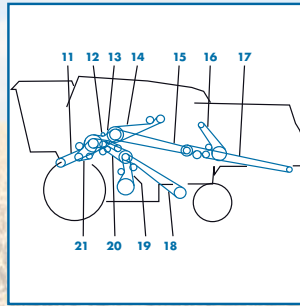
NR.	DRIVE	PART NUMBER	SET	AP NR.	EAN
7		Z59342	1	AP1003622	4014486487114
8		Z60135	1	AP1000395	4014486466584
9		Z56421	1	AP1001084	4014486496666
10		Z56959	1	AP1001089	4014486496710
11		Z59322	1	AP1000640	4014486469981
12		Z48212	1	AP1001769	4014486519600
12		Z59419	1	AP1001125	4014486497113
13		Z60931	1	AP1003623	4014486487503
13		Z61152	1	AP1001764	4014486487473
14		Z61154	1	AP1001448	4014486459562
14		Z62211	1	AP1001449	4014486459579
15		Z54807	1	AP1001096	4014486496789
15		Z58751	1	AP1004084	4014486520453
15		Z60931	1	AP1003623	4014486487503
15		Z61152	1	AP1001764	4014486487473
16		Z55459	1	AP1001085	4014486496673
16		Z61153	1	AP1001753	4014486487367
16		Z61827	1	AP1001755	4014486519549
16		Z62213	1	AP1003856	4014486496680
21		Z54406	1	AP1001122	4014486497083
21		Z55801	1	AP1000786	4014486472028
22		Z58752	1	AP1000788	4014486472042
22		Z59419	1	AP1001125	4014486497113
23		Z59556	1	AP1000635	4014486469899
23		Z63005	1	AP1000648	4014486470093
24		Z59557	1	AP1001388	4014486475043
25		Z44936	1	AP1001544	4014486460643
26		Z61858	1	AP1001973	4014486490886
27		Z62110	1	AP1001423	4014486459302
28		Z62111	1	AP1001432	4014486459401
2250					
4	PLATFORM DRIVE	E58967	1	AP1004189	4014486558135
2254					
1		Z59344	1	AP1003858	4014486519907
1		Z61151	1	AP1001761	4014486487442
3		Z61150	1	AP1001754	4014486519532
3		Z64912	1	AP1001751	4014486519525
4		Z61857	1	AP1001190	4014486520422
5		Z59286	1	AP1001911	4014486489736
6		Z59114	1	AP1000324	4014486465488
7		Z59342	1	AP1003622	4014486487114
8		Z60135	1	AP1000395	4014486466584
9		Z59322	1	AP1000640	4014486469981
10		Z56959	1	AP1001089	4014486496710
11		Z56421	1	AP1001084	4014486496666
12		Z48212	1	AP1001769	4014486519600
13		Z60931	1	AP1003623	4014486487503
13		Z61152	1	AP1001764	4014486487473
14		Z62211	1	AP1001449	4014486459579
15		Z54807	1	AP1001096	4014486496789
15		Z58751	1	AP1004084	4014486520453
15		Z60931	1	AP1003623	4014486487503
15		Z61152	1	AP1001764	4014486487473
16		Z61827	1	AP1001755	4014486519549
16		Z62213	1	AP1003856	4014486496680



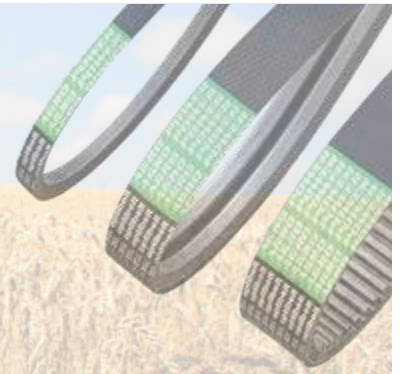
2258 LEFT



2258 MIDDLE

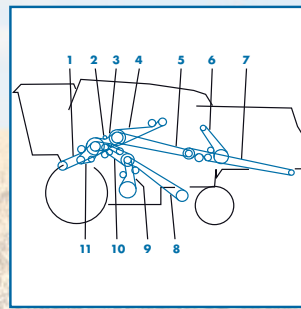
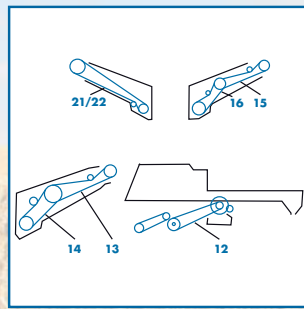
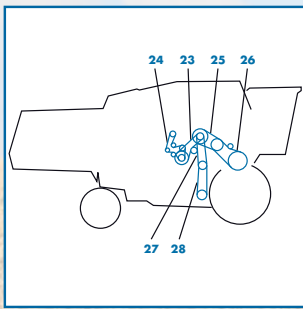


2258 RIGHT



JOHN DEERE

NR.	DRIVE	PART NUMBER	SET	AP NR.	EAN
17		Z54406	1	AP1001122	4014486497083
17		Z62551	1	AP1001784	4014486519655
18		Z62214	1	AP1001127	4014486497137
18		Z62552	1	AP1001786	4014486519679
21		Z54406	1	AP1001122	4014486497083
22		Z59419	1	AP1001125	4014486497113
23		Z63005	1	AP1000648	4014486470093
24		Z59557	1	AP1001388	4014486475043
25		Z44936	1	AP1001544	4014486460643
26		Z61858	1	AP1001973	4014486490886
27		Z62110	1	AP1001423	4014486459302
28		Z62111	1	AP1001432	4014486459401
2256					
1		Z59344	1	AP1003858	4014486519907
1		Z61151	1	AP1001761	4014486487442
3		Z61150	1	AP1001754	4014486519532
3		Z64912	1	AP1001751	4014486519525
4		Z61857	1	AP1001190	4014486520422
5		Z59286	1	AP1001911	4014486489736
6		Z59114	1	AP1000324	4014486465488
7		Z59342	1	AP1003622	4014486487114
8		Z60135	1	AP1000395	4014486466584
9		Z59322	1	AP1000640	4014486469981
10		Z56959	1	AP1001089	4014486496710
11		Z56421	1	AP1001084	4014486496666
12		Z48212	1	AP1001769	4014486519600
13		Z60931	1	AP1003623	4014486487503
13		Z61152	1	AP1001764	4014486487473
14		Z62211	1	AP1001449	4014486459579
15		Z54807	1	AP1001096	4014486496789
15		Z58751	1	AP1004084	4014486520453
15		Z60931	1	AP1003623	4014486487503
15		Z61152	1	AP1001764	4014486487473
16		Z61827	1	AP1001755	4014486519549
16		Z62213	1	AP1003856	4014486496680
17		Z54406	1	AP1001122	4014486497083
17		Z62551	1	AP1001784	4014486519655
18		Z62214	1	AP1001127	4014486497137
18		Z62552	1	AP1001786	4014486519679
21		Z54406	1	AP1001122	4014486497083
22		Z59419	1	AP1001125	4014486497113
23		Z63005	1	AP1000648	4014486470093
24		Z59557	1	AP1001388	4014486475043
25		Z44936	1	AP1001544	4014486460643
26		Z61858	1	AP1001973	4014486490886
27		Z62110	1	AP1001423	4014486459302
28		Z62111	1	AP1001432	4014486459401
2258					
1		Z59344	1	AP1003858	4014486519907
1		Z61151	1	AP1001761	4014486487442
3		Z61150	1	AP1001754	4014486519532
3		Z64912	1	AP1001751	4014486519525
4		Z61857	1	AP1001190	4014486520422
5		Z59286	1	AP1001911	4014486489736
6		Z59114	1	AP1000324	4014486465488

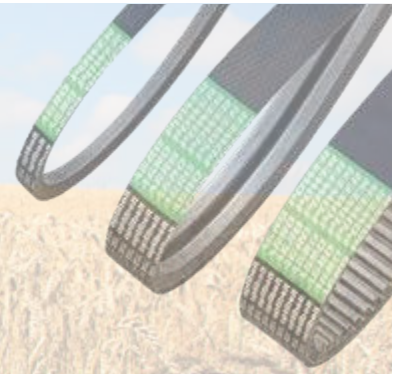
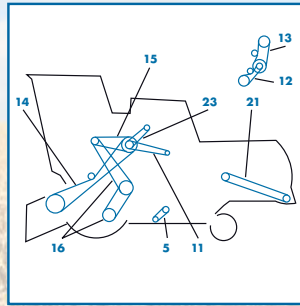
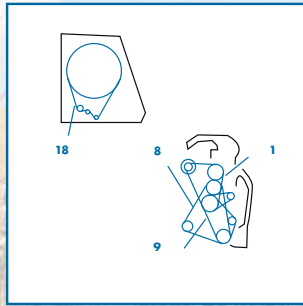
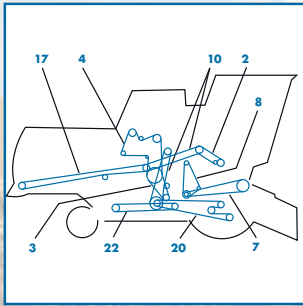


JOHN DEERE

NR.	DRIVE	PART NUMBER	SET	AP NR.	EAN
7		Z59342	1	AP1003622	4014486487114
8		Z60135	1	AP1000395	4014486466584
9		Z59322	1	AP1000640	4014486469981
10		Z56959	1	AP1001089	4014486496710
11		Z56421	1	AP1001084	4014486496666
12		Z48212	1	AP1001769	4014486519600
13		Z60931	1	AP1003623	4014486487503
13		Z61152	1	AP1001764	4014486487473
14		Z62211	1	AP1001449	4014486459579
15		Z54807	1	AP1001096	4014486496789
15		Z58751	1	AP1004084	4014486520453
15		Z60931	1	AP1003623	4014486487503
15		Z61152	1	AP1001764	4014486487473
16		Z61827	1	AP1001755	4014486519549
16		Z62213	1	AP1003856	4014486496680
17		Z54406	1	AP1001122	4014486497083
17		Z62551	1	AP1001784	4014486519655
18		Z62214	1	AP1001127	4014486497137
18		Z62552	1	AP1001786	4014486519679
21		Z54406	1	AP1001122	4014486497083
22		Z59419	1	AP1001125	4014486497113
23		Z63005	1	AP1000648	4014486470093
24		Z59557	1	AP1001388	4014486475043
25		Z44936	1	AP1001544	4014486460643
26		Z61858	1	AP1001973	4014486490886
27		Z62110	1	AP1001423	4014486459302
28		Z62111	1	AP1001432	4014486459401

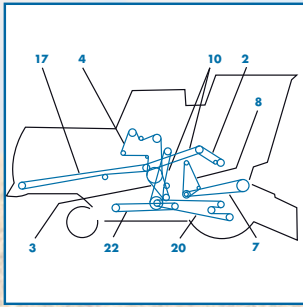
2264

1		Z59344	1	AP1003858	4014486519907
1		Z61151	1	AP1001761	4014486487442
3		Z61150	1	AP1001754	4014486519532
3		Z64912	1	AP1001751	4014486519525
4		Z61857	1	AP1001190	4014486520422
5		Z59286	1	AP1001911	4014486489736
6		Z59114	1	AP1000324	4014486465488
7		Z59342	1	AP1003622	4014486487114
8		Z60135	1	AP1000395	4014486466584
9		Z56421	1	AP1001084	4014486496666
10		Z56959	1	AP1001089	4014486496710
11		Z59322	1	AP1000640	4014486469981
12		Z48212	1	AP1001769	4014486519600
13		Z60931	1	AP1003623	4014486487503
13		Z61152	1	AP1001764	4014486487473
14		Z62211	1	AP1001449	4014486459579
15		Z54807	1	AP1001096	4014486496789
15		Z58751	1	AP1004084	4014486520453
15		Z60931	1	AP1003623	4014486487503
15		Z61152	1	AP1001764	4014486487473
16		Z61827	1	AP1001755	4014486519549
16		Z62213	1	AP1003856	4014486496680
21		Z54406	1	AP1001122	4014486497083
22		Z59419	1	AP1001125	4014486497113
23		Z63005	1	AP1000648	4014486470093
24		Z59557	1	AP1001388	4014486475043
25		Z44936	1	AP1001544	4014486460643
26		Z61858	1	AP1001973	4014486490886

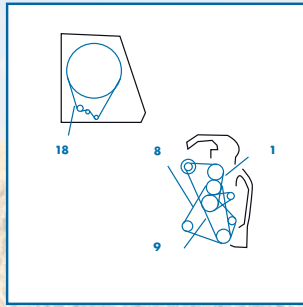


JOHN DEERE

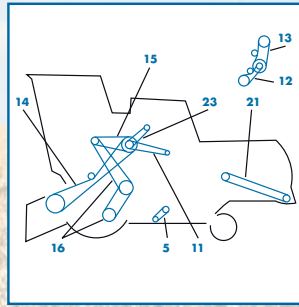
NR.	DRIVE	PART NUMBER	SET	AP NR.	EAN
27		Z62110	1	AP1001423	4014486459302
28		Z62111	1	AP1001432	4014486459401
2266					
1		Z59344	1	AP1003858	4014486519907
1		Z61151	1	AP1001761	4014486487442
3		Z61150	1	AP1001754	4014486519532
3		Z64912	1	AP1001751	4014486519525
4		Z61857	1	AP1001190	4014486520422
5		Z59286	1	AP1001911	4014486489736
6		Z59114	1	AP1000324	4014486465488
7		Z59342	1	AP1003622	4014486487114
8		Z60135	1	AP1000395	4014486466584
9		Z56421	1	AP1001084	4014486496666
10		Z56959	1	AP1001089	4014486496710
11		Z59322	1	AP1000640	4014486469981
12		Z48212	1	AP1001769	4014486519600
13		Z60931	1	AP1003623	4014486487503
13		Z61152	1	AP1001764	4014486487473
14		Z62211	1	AP1001449	4014486459579
15		Z54807	1	AP1001096	4014486496789
15		Z58751	1	AP1004084	4014486520453
15		Z60931	1	AP1003623	4014486487503
15		Z61152	1	AP1001764	4014486487473
16		Z61827	1	AP1001755	4014486519549
16		Z62213	1	AP1003856	4014486496680
21		Z54406	1	AP1001122	4014486497083
22		Z59419	1	AP1001125	4014486497113
23		Z63005	1	AP1000648	4014486470093
24		Z59557	1	AP1001388	4014486475043
25		Z44936	1	AP1001544	4014486460643
26		Z61858	1	AP1001973	4014486490886
27		Z62110	1	AP1001423	4014486459302
28		Z62111	1	AP1001432	4014486459401
2270					
4	PLATFORM DRIVE	E58967	1	AP1004189	4014486558135
2280					
4	PLATFORM DRIVE	E58967	1	AP1004189	4014486558135
3300					
1	ALTERNATOR AND WATERPUMP DRIVE 329DH-02	H80896	1	AP1002569	4014486495331
7	AIR CONDITIONING COMPRESSOR DRIVE 292	H80896	1	AP1002569	4014486495331
7	COMPRESSOR DRIVE (GAS ENGINE) AC 292	H80896	1	AP1002569	4014486495331
7	AIR CONDITIONING COMPRESSOR DRIVE	H81742	1	no AP	
8	COMPRESSOR DRIVE (DIESEL ENGINE) AC 292	H80896	1	AP1002569	4014486495331
10	CYLINDER VARIATOR DRIVE	340435138	1	AP1004295	4014486683318
19	PROPULSION DRIVE (LOWER)	H76136	1	AP1000542	4014486468243
23	ROTARY SCREEN DRIVE	H86259	1	no AP	
24	COUNTERSHAFT (SECONDARY)	H138762	1	AP1000710	4014486470987
28	UNLOADING AUGER COUNTERSHAFT	H76136	1	AP1000542	4014486468243
3400					
1	ALTERNATOR AND WATERPUMP DRIVE 329DH-02	H80896	1	AP1002569	4014486495331
7	COMPRESSOR DRIVE (GAS ENGINE) AC 292	H80896	1	AP1002569	4014486495331
8	COMPRESSOR DRIVE (DIESEL ENGINE) AC 292	H80896	1	AP1002569	4014486495331



4420 LEFT



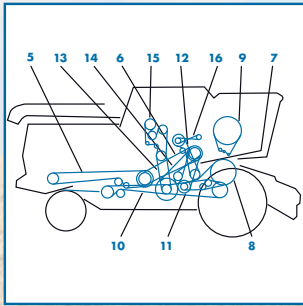
4420 MIDDLE



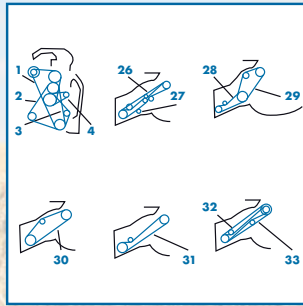
4420 RIGHT

JOHN DEERE

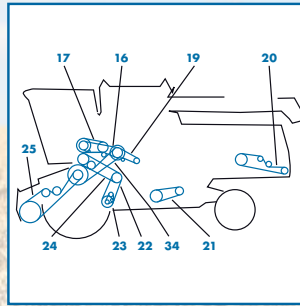
NR.	DRIVE	PART NUMBER	SET	AP NR.	EAN
19	PROPULSION DRIVE (LOWER)	H76136	1	AP1000542	4014486468243
23	ROTARY SCREEN DRIVE	H86259	1	no AP	
24	COUNTERSHAFT (SECONDARY)	H138762	1	AP1000710	4014486470987
28	UNLOADING AUGER COUNTERSHAFT	H76136	1	AP1000542	4014486468243
3430					
3	WATERPUMP DRIVE	R73784	1	AP1003983	4014486519273
3830					
3	ROTARY SCREEN DRIVE	H86259	1	No AP	
4400					
1	ALTERNATOR AND WATERPUMP DRIVE 329DH-02	H80896	1	AP1002569	4014486495331
7	COMPRESSOR DRIVE (GAS ENGINE) AC 292	H80896	1	AP1002569	4014486495331
8	COMPRESSOR DRIVE (DIESEL ENGINE) AC 292	H80896	1	AP1002569	4014486495331
19	PROPULSION DRIVE (LOWER)	H76136	1	AP1000542	4014486468243
23	COUNTERSHAFT (SECONDARY)	H138762	1	AP1000710	4014486470987
23	ROTARY SCREEN DRIVE	H86259	1	no AP	
28	UNLOADING AUGER COUNTERSHAFT	H76136	1	AP1000542	4014486468243
4420					
5	ROTARY SCREEN DRIVE	H86259	1	no AP	
8	UNLOADING AUGER COUNTERSHAFT	H76136	1	AP1000542	4014486468243
14	STRAW SPREADER DRIVE	Z33774	1	AP1000401	4014486466645
15	BEATER DRIVE	Z33790	1	AP1001995	4014486491180
16	FEEDER HOUSE DRIVE	Z38186	1	AP1001647	4014486485998
17	STRAW CHOPPER (FRONT)	Z44761	1	AP1001668	4014486486315
24	COUNTERSHAFT (SECONDARY)	H138762	1	AP1000710	4014486470987
4425					
1	ALTERNATOR, WATER PUMP	AR72036	1	AP1002351	4014486478846
2	BEATER	Z33790	1	AP1001995	4014486491180
3	CLEANING FAN	Z41178	1	AP1001396	4014486459012
4	COMPRESSOR	Z42756	1	AP1002350	4014486478839
5	CONDENSER FAN	Z45482	1	AP1000224	4014486462913
6	CONDENSER ROTARY BLADE	Z43863	1	AP1000036	4014486460735
7	CONDENSER ROTARY BLADE	Z38704	1	AP1000039	4014486460766
8	COUNTERSHAFT TO ROTARY SCREEN	Z34786	1	AP1000040	4014486460773
9	CRANKSHAFT TO COUNTERSHAFT	Z32190	1	AP1000002	4014486458985
10	CYLINDER	Z65924	1	no AP	
11	FEEDER HOUSE	Z38186	1	AP1001647	4014486485998
12	LOWER GROUND DRIVE	Z34099	1	AP1001523	4014486460421
13	MAIN HYDRAULIC PUMP	Z34828	1	AP1003397	4014486462821
14	SEPARATOR	Z34405	1	AP1000675	4014486470475
15	STRAW CHOPPER, FRONT	Z44761	1	AP1001668	4014486486315
17	STRAW SPREADER	Z33774	1	AP1000401	4014486466645
18	TAILINGS ELEVATOR	Z45026	1	AP1000261	4014486464177
19	UNLOADING AUGER	Z47911	1	AP1000604	4014486469363
20	UPPER GROUND DRIVE (PKG. 2)	AZ35635	2	AP1001105	4014486496871
4700					
1		R500173	1	AP1001335	4014486482348



6620 LEFT



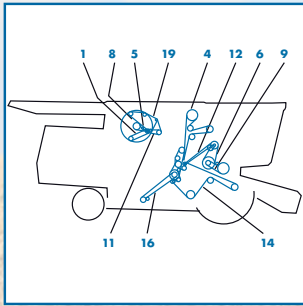
6620 MIDDLE



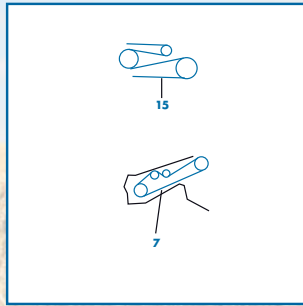
6620 RIGHT

JOHN DEERE

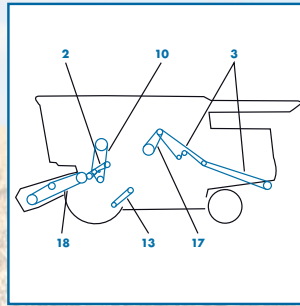
NR.	DRIVE	PART NUMBER	SET	AP NR.	EAN
6620					
9	ROTARY SCREEN DRIVE	H86259	1	no AP	
13	CLEAN GRAIN ELEVATOR COUNTERSHAFT	H27433	1	AP1000598	4014486469301
18	MULTI-GROOVE SEPARATOR DRIVE	H108175	1	AP1001140	4014486490022
22	GROUND DRIVE (LOWER)	AH84633	2	AP1001087	4014486496697
24	GROUND DRIVE (UPPER)	AH84633	2	AP1001087	4014486496697
25	FEEDER HOUSE DRIVE (REGULAR) (SERIAL NR. 502551-615100)	H111519	1	AP1004270	4014486683295
26	FEEDER CONVEYOR DRIVE (SERIAL NR. ... - 403301)	H125380	1	AP1000791	4014486472073
31	FEEDER HOUSE - LOWER FIXED LESS REVERSER (SERIAL NR 615100 - ...)	Z30130	1	AP1001111	4014486496949
34	FEEDER HOUSE - REVERSER, VARIATOR DRIVE	H23927	1	AP1004084	4014486520453
	TORQUE-SENSING COUNTERSHAFT DRIVE	H113749	1	AP1001514	4014486460339
6622					
5	LEFT-HAND SIDE	H136881	1	AP1000693	4014486470741
7	TORQUE-SENSING COUNTERSHAFT DRIVE	H113749	1	AP1001514	4014486460339
9	CLEAN GRAIN ELEVATOR AND LOADING	H23950	1	AP1000682	4014486470581
10	CLEAN GRAIN ELEVATOR COUNTERSHAFT	H27433	1	AP1000598	4014486469301
12		H27433	1	AP1000598	4014486469301
23	FEEDER HOUSE DRIVE	H23927	1	AP1004084	4014486520453
25	MULTI-GROOVE SEPARATOR DRIVE	H108175	1	AP1001140	4014486490022
6650					
1		R136235	1	AP1002684	4014486482591
6700					
1		R135199	1	AP1003235	4014486482669
6710					
2		Z55771	1	AP1002360	4014486478945
6750					
1		R503312	1	AP1002614	4014486484182
2		R502599	1	AP1002651	4014486481143
6810					
1		AZ51312	2	AP1003982	4014486519808
2		Z58886	1	AP1002539	4014486494662
3		AZ56225	2	AP1002313	4014486480016
6950					
1		AZ51638	1	AP1004153	4014486523676



9400 LEFT



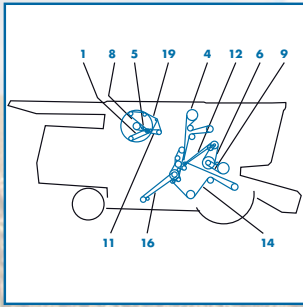
9400 MIDDLE



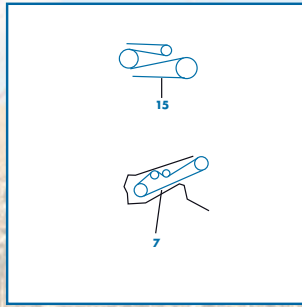
9400 RIGHT

JOHN DEERE

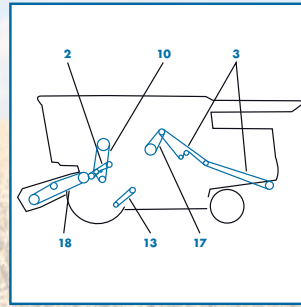
NR.	DRIVE	PART NUMBER	SET	AP NR.	EAN
9400					
2	ROTARY SCREEN DRIVE	H143869	1	no AP	
3	ROTARY SCREEN DRIVE	H134216	1	no AP	
6	CYLINDER DRIVE INTERMEDIATE	H115759	1	AP1003590	4014486460629
6	CLEAN GRAIN ELEVATOR DRIVE	H141167	1	AP1004088	4014486520088
7	CYLINDER DRIVE REGULAR DUAL RANGE	H115881	1	AP1003663	4014486490817
8	TAILINGS AUGER AND ELEVATOR (LOWER)	N110085	1	AP1000702	4014486470857
10	COUNTERSHAFT (SECONDARY)	H128010	1	AP1000797	4014486472165
11	STRAW WALKER SHOE - CONVEYOR AUGERS	H131169	1	AP1001392	4014486475104
12	UNLOADING SYSTEM	AH127866	2	AP1005145	4044978203472
13	STRAW CHOPPER DRIVE, FRONT	H125380	1	AP1000791	4014486472073
14	REGULAR	H140404	1	AP1001434	4014486459425
14	SLOW SPEED	H137264	1	AP1000938	4014486473919
15	HEADER AND REEL PUMP	H125565	1	no AP	
15	HEADER AND REEL PUMP	H140160	1	AP1003570	4014486497014
16	FEEDER DRIVE VARIABLE SPEED	H125711	1	no AP	
17	BEATER (100 PERCENT BEATER SPEED)	AH139436	2	AP1001382	4014486474978
18	FEEDER HOUSE FIXED SPEED WITH REVERSER	H126345	1	AP1001124	4014486497106
19	STRAW SPREADER DRIVE	Z33774	1	AP1000401	4014486466645
9410					
1	AIR CONDITIONING COMPRESSOR	H80896	1	AP1002569	4014486495331
3	ALTERNATOR, ENGINE	H101813	1	AP1002580	4014486495591
4	BEATER DRIVE (75 PERCENT)	AH163931	2	AP1001381	4014486474961
5	BEATER DRIVE (100 PERCENT)	AH139436	2	AP1001382	4014486474978
6	CHOPPER IN WINDROW OR FORWARD POSITION	H27433	1	AP1000598	4014486469301
10	COOLING FAN HIGH POWER	H132808	1	no AP	
11	CYLINDER DR. REGULAR DUAL RANGE & SINGLE RANGE	H115881	1	AP1003663	4014486490817
12	CYLINDER INTERMEDIATE DRIVE BELT	H210476	1	AP1003590	4014486460629
13	ENGINE FAN	H132808	1	no AP	
14	FEEDER HOUSE VARIABLE SPEED	H161648	1	no AP	
15	FIXED SPEED FEEDER HOUSE WITH REVERSER	H126345	1	AP1001124	4014486497106
18	HEADER AND REEL PUMP	H151952	1	AP1003570	4014486497014
19	LOWER TAILINGS AUGER & ELEVATOR	N110085	1	AP1000702	4014486470857
20	ROTARY SCREEN	H145158	1	no AP	
21	ROTARY SCREEN DRIVE	H146636	1	AP1004193	4014486558487
22	SECONDARY COUNTERSHAFT	H128010	1	AP1000797	4014486472165
23	SHOE, STRAW WALKER & CONVEYOR AUGERS	H131169	1	AP1001392	4014486475104
24	STRAW CHOPPER DRIVE, FRONT	H125380	1	AP1000791	4014486472073
25	STRAW CHOPPER DRIVE, REGULAR	H140404	1	AP1001434	4014486459425
26	STRAW CHOPPER DRIVE, SLOW SPEED	H137264	1	AP1000938	4014486473919
27	STRAW SPREADER	Z33774	1	AP1000401	4014486466645
28	UNLOADING SYSTEM	AH158880	2	AP1002861	4014486469400
9450					
1	AIR CONDITIONING COMPRESSOR	H101813	1	AP1002580	4014486495591
3	ALTERNATOR (95 AMP)	H163515	1	AP1003209	4014486482256
4	ALTERNATOR (185 AMP)	H166870	1	AP1004090	4014486520521
5	BEATER DRIVE (75%)	AH163931	2	AP1001381	4014486474961
6	BEATER DRIVE (100%)	AH139436	2	AP1001382	4014486474978
7	CLEAN GRAIN ELEVATOR	H141166	1	AP1001394	4014486475128
8	CLEANING FAN (750 - 1350 RPM)	H152146	1	AP1001435	4014486459432
9	CLEANING FAN (490 - 980 RPM)	H152180	1	AP1001431	4014486459395
10	COOLING FAN	H132808	1	no AP	
11	COUNTERSHAFT SECONDARY	H128010	1	AP1000797	4014486472165
12	CYLINDER DRIVE (240 - 960 RPM) (STANDARD)	H115881	1	AP1003663	4014486490817



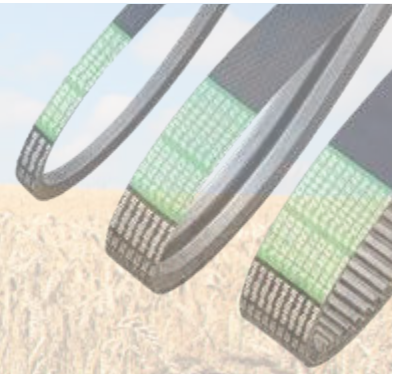
9500 LEFT



9500 MIDDLE



9500 RIGHT



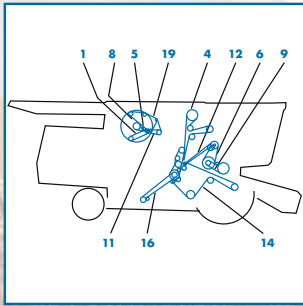
JOHN DEERE

NR.	DRIVE	PART NUMBER	SET	AP NR.	EAN
14	CYLINDER INTERMEDIATE DRIVE BELT	H210476	1	AP1003590	4014486460629
16	STRAW CHOPPER (FRONT)	H157726	1	AP1004928	4014486866971
17	FEEDER HOUSE VARIABLE SPEED (-700100)	H161648	1	no AP	
19	FIXED SPEED FEEDER HOUSE W/REVERSER (-700100)	H126345	1	AP1001124	4014486497106
20	FIXED SPEED FEEDER HOUSE W/REVERSER (700101-)	H156796	1	AP1004269	4014486683301
21	HEADER AND REEL PUMP	H151952	1	AP1003570	4014486497014
22	LOWER TAILINGS AUGER & ELEVATOR	N110085	1	AP1000702	4014486470857
23	ROTARY SCREEN (-695100)	H145158	1	no AP	
24	ROTARY SCREEN (695101-)	H175632	1	AP1004469	4014486712117
25	ROTARY SCREEN DRIVE	H146636	1	AP1004193	4014486558487
26	SHOE, STRAW WALKER & CONVEYOR AUGERS	H131169	1	AP1001392	4014486475104
29	STRAW CHOPPER (SHORT REAR)	H27433	1	AP1000598	4014486469301
30	STRAW SPREADER	Z33774	1	AP1000401	4014486466645
31	UNLOADING SYSTEM	AH158880	2	AP1002861	4014486469400
9500					
1	COOLING FAN	H132808	1	no AP	
2	ROTARY SCREEN DRIVE	H143869	1	no AP	
3	ROTARY SCREEN DRIVE	H134216	1	no AP	
4	AIR CONDITIONING COMPRESSOR DRIVE	H134437	1	no AP	
5	CLEAN GRAIN ELEVATOR DRIVE	H141167	1	AP1004088	4014486520088
6	CYLINDER DRIVE INTERMEDIATE	H115759	1	AP1003590	4014486460629
7	CYLINDER DRIVE REGULAR DUAL RANGE	H115881	1	AP1003663	4014486490817
8	TAILINGS AUGER AND ELEVATOR (LOWER)	N110085	1	AP1000702	4014486470857
9	FOR ALTERNATOR	H134344	1	no AP	
10	COUNTERSHAFT (SECONDARY)	H128010	1	AP1000797	4014486472165
11	STRAW WALKER SHOE - CONVEYOR AUGERS	H131169	1	AP1001392	4014486475104
12	UNLOADING SYSTEM	AH127866	2	AP1005145	4044978203472
13	(FRONT)	H125380	1	AP1000791	4014486472073
13	LONG REAR	H125381	1	AP1000778	4014486471885
14	REGULAR	H140404	1	AP1001434	4014486459425
14	SLOW SPEED	H137264	1	AP1000938	4014486473919
15	HEADER AND REEL PUMP	H125565	1	no AP	
15	HEADER AND REEL PUMP	H140160	1	AP1003570	4014486497014
16	FEEDER DRIVE VARIABLE SPEED	H125711	1	no AP	
17	BEATER (100 PERCENT BEATER SPEED)	AH139436	2	AP1001382	4014486474978
18	FEEDER HOUSE FIXED SPEED WITH REVERSER	H126345	1	AP1001124	4014486497106
19	STRAW SPREADER DRIVE	H128234	1	AP1000419	4014486466829
9501					
1	BELT, FEED HOUSE DRIVE TIGHTENER	H151952	1	AP1003570	4014486497014
3	CYLINDER DR. REGULAR DUAL RANGE & SINGLE RANGE	H115881	1	AP1003663	4014486490817
4	CYLINDER INTERMEDIATE DRIVE BELT	H210476	1	AP1003590	4014486460629
5	FIXED SPEED FEEDER HOUSE WITH REVERSER	H126345	1	AP1001124	4014486497106
6	LOWER TAILINGS AUGER & ELEVATOR	N110085	1	AP1000702	4014486470857
8	REGULAR (100 PERCENT)	AH139436	2	AP1001382	4014486474978
8	SECONDARY COUNTERSHAFT	H128010	1	AP1000797	4014486472165
8	SEPARATOR FAN, SLOW SPEED	H137264	1	AP1000938	4014486473919
9	STRAW CHOPPER DRIVE, FRONT	H125380	1	AP1000791	4014486472073
9	SHOE, STRAW WALKER & CONVEYOR AUGERS	H131169	1	AP1001392	4014486475104
10	STRAW CHOPPER DRIVE, LONG REAR	H125381	1	AP1000778	4014486471885
11	STRAW CHOPPER DRIVE, REGULAR	H140404	1	AP1001434	4014486459425
14	STRAW SPREADER	H128234	1	AP1000419	4014486466829
16	UNLOADING SYSTEM	AH158880	2	AP1002861	4014486469400
9510					
1	AIR CONDITIONING COMPRESSOR	H80896	1	AP1002569	4014486495331

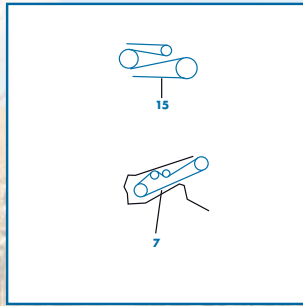


JOHN DEERE

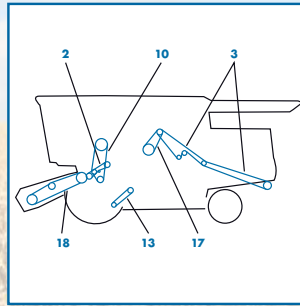
NR.	DRIVE	PART NUMBER	SET	AP NR.	EAN
3	ALTERNATOR, ENGINE	H101813	1	AP1002580	4014486495591
4	BEATER DRIVE (100 PERCENT)	AH139436	2	AP1001382	4014486474978
4	BEATER DRIVE (75 PERCENT)	AH163931	2	AP1001381	4014486474961
5	CHOPPER IN REAR (OPERATING) POSITION	H125381	1	AP1000778	4014486471885
5	CHOPPER IN WINDROW OR FORWARD POSITION	H23950	1	AP1000682	4014486470581
7	COOLING FAN LOW POWER	H132808	1	no AP	
8	CYLINDER DR. REGULAR DUAL RANGE & SINGLE RANGE	H115881	1	AP1003663	4014486490817
8	CYLINDER INTERMEDIATE DRIVE BELT	H210476	1	AP1003590	4014486460629
10	FEEDER HOUSE VARIABLE SPEED	H161648	1	no AP	
11	FIXED SPEED FEEDER HOUSE WITH REVERSER	H126345	1	AP1001124	4014486497106
12	LOWER TAILINGS AUGER & ELEVATOR	N110085	1	AP1000702	4014486470857
13	POWERSHAFT AND REEL PUMP	H151952	1	AP1003570	4014486497014
14	ROTARY SCREEN	H145158	1	no AP	
14	ROTARY SCREEN DRIVE	H146636	1	AP1004193	4014486558487
15	SECONDARY COUNTERSHAFT	H128010	1	AP1000797	4014486472165
16	SHOE, STRAW WALKER & CONVEYOR AUGERS	H131169	1	AP1001392	4014486475104
17	STRAW CHOPPER DRIVE, FRONT	H125380	1	AP1000791	4014486472073
17	STRAW CHOPPER DRIVE, REGULAR (750 - 1350 RPM)	H140404	1	AP1001434	4014486459425
18	STRAW SPREADER	H128234	1	AP1000419	4014486466829
19	UNLOADING SYSTEM	AH158880	2	AP1002861	4014486469400
9540					
1		H175632	1	AP1004469	4014486712117
2		H115881	1	AP1003663	4014486490817
3		H177263	1	AP1001394	4014486475128
4		N110085	1	AP1000702	4014486470857
6	9540	H177589	1	AP1002285	4014486479683
7	9540	H175467	1	AP1003125	4014486480788
8		H176765	1	AP1001789	4014486519686
10		H177177	1	AP1001905	4014486489668
11		H152146	1	AP1001435	4014486459432
12		H176766	1	AP1001756	4014486519556
13	FOR HILLMASTER ONLY	H202821	1	AP1001759	4014486519563
16		AH139436	2	AP1001382	4014486474978
17		AH158880	2	AP1002861	4014486469400
9550					
1	AIR CONDITIONING COMPRESSOR	H163515	1	AP1003209	4014486482256
3	ALTERNATOR (95 AMP)	H163515	1	AP1003209	4014486482256
3	ALTERNATOR (185 AMP)	H166870	1	AP1004090	4014486520521
4	BEATER DRIVE (100%)	AH139436	2	AP1001382	4014486474978
4	BEATER DRIVE (75%)	AH163931	2	AP1001381	4014486474961
5	CLEAN GRAIN ELEVATOR	H141166	1	AP1001394	4014486475128
6	CLEANING FAN (750 - 1350 RPM)	H152146	1	AP1001435	4014486459432
6	CLEANING FAN (490 - 980 RPM)	H152180	1	AP1001431	4014486459395
8	COUNTERSHAFT SECONDARY	H128010	1	AP1000797	4014486472165
9	CYLINDER INTERMEDIATE DRIVE BELT	H210476	1	AP1003590	4014486460629
10	CYLINDER DRIVE (240 - 960 RPM)	H115881	1	AP1003663	4014486490817
12	FEEDER HOUSE VARIABLE SPEED (STANDARD CAPACITY) (-700200)	H161648	1	no AP	
14	FIXED SPEED FEEDER HOUSE W/REVERSER (-700200)	H126345	1	AP1001124	4014486497106
14	FIXED SPEED FEEDER HOUSE W/REVERSER (700201-)	H156796	1	AP1004269	4014486683301
15	HEADER AND REEL PUMP (STANDARD)	H151952	1	AP1003570	4014486497014
15	HEADER AND REEL PUMP (HIGH CAP.)	H155998	1	no AP	
16	LOWER TAILINGS AUGER & ELEVATOR	N110085	1	AP1000702	4014486470857
17	ROTARY SCREEN (-695000)	H145158	1	no AP	
17	ROTARY SCREEN (695201-)	H175632	1	AP1004469	4014486712117
19	SHOE, STRAW WALKER & CONVEYOR AUGERS	H131169	1	AP1001392	4014486475104



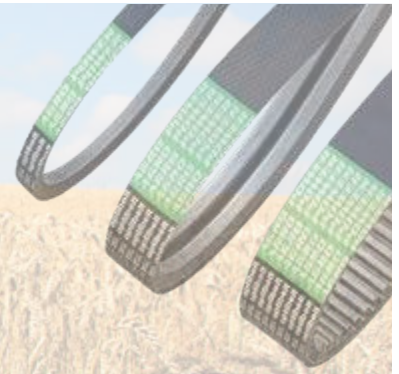
9600 LEFT



9600 MIDDLE



9600 RIGHT



JOHN DEERE

NR.	DRIVE	PART NUMBER	SET	AP NR.	EAN
20	STRAW CHOPPER (STANDARD BALING)	H23950	1	AP1000682	4014486470581
21	STRAW SPREADER	H128234	1	AP1000419	4014486466829
22	UNLOADING SYSTEM	AH158880	2	AP1002861	4014486469400
9560					
1		H175632	1	AP1004469	4014486712117
2		H115881	1	AP1003663	4014486490817
3		H177263	1	AP1001394	4014486475128
4		N110085	1	AP1000702	4014486470857
6	9560 / 9580	H146636	1	AP1004193	4014486558487
7	9560 / 9580	H177186	1	AP1003223	4014486482508
8		H176765	1	AP1001789	4014486519686
10		H177177	1	AP1001905	4014486489668
11		H152146	1	AP1001435	4014486459432
12		H176766	1	AP1001756	4014486519556
13	FOR HILLMASTER ONLY	H202821	1	AP1001759	4014486519563
16		AH139436	2	AP1001382	4014486474978
17		AH158880	2	AP1002861	4014486469400
9580					
1		H175632	1	AP1004469	4014486712117
2		H115881	1	AP1003663	4014486490817
3		H177263	1	AP1001394	4014486475128
4		N110085	1	AP1000702	4014486470857
6	9560 / 9580	H146636	1	AP1004193	4014486558487
7	9560 / 9580	H177186	1	AP1003223	4014486482508
8		H176765	1	AP1001789	4014486519686
10		H177177	1	AP1001905	4014486489668
11		H152146	1	AP1001435	4014486459432
12		H176766	1	AP1001756	4014486519556
13	FOR HILLMASTER ONLY	H202821	1	AP1001759	4014486519563
16		AH139436	2	AP1001382	4014486474978
17		AH158880	2	AP1002861	4014486469400
9600					
1	COOLING FAN	H132808	1	no AP	
2	ROTARY SCREEN DRIVE	H143869	1	no AP	
4	AIR CONDITIONING COMPRESSOR DRIVE	H134437	1	no AP	
5	CLEAN GRAIN ELEVATOR DRIVE	H141166	1	AP1001394	4014486475128
6	CYLINDER DRIVE INTERMEDIATE	H115759	1	AP1003590	4014486460629
7	UNLOADING SYSTEM	AH127866	2	AP1005145	4044978203472
7	CYLINDER DRIVE REGULAR DUAL RANGE	H115881	1	AP1003663	4014486490817
8	TAILINGS AUGER AND ELEVATOR (LOWER)	N110085	1	AP1000702	4014486470857
9	FOR ALTERNATOR	H134344	1	no AP	
10	COUNTERSHAFT (SECONDARY)	H128010	1	AP1000797	4014486472165
11	STRAW WALKER SHOE - CONVEYOR AUGERS	H131169	1	AP1001392	4014486475104
12		AH127866	2	AP1005145	4044978203472
13	STRAW CHOPPER DRIVE, FRONT	H125380	1	AP1000791	4014486472073
13	LONG REAR	H125381	1	AP1000778	4014486471885
14	REGULAR	H140404	1	AP1001434	4014486459425
14	SLOW SPEED	H137264	1	AP1000938	4014486473919
15	HEADER AND REEL PUMP	H125565	1	no AP	
15	HEADER AND REEL PUMP	H140160	1	AP1003570	4014486497014
16	FEEDER DRIVE VARIABLE SPEED	H125711	1	no AP	
17	BEATER (100 PERCENT BEATER SPEED)	AH139436	2	AP1001382	4014486474978
18	FEEDER HOUSE FIXED SPEED WITH REVERSER	H126345	1	AP1001124	4014486497106
19	STRAW SPREADER DRIVE	H128234	1	AP1000419	4014486466829



JOHN DEERE

NR.	DRIVE	PART NUMBER	SET	AP NR.	EAN
9610					
1	AIR CONDITIONING COMPRESSOR	H163515	1	AP1003209	4014486482256
3	ALTERNATOR	H163515	1	AP1003209	4014486482256
4	BEATER DRIVE (100 PERCENT)	AH139436	2	AP1001382	4014486474978
4	BEATER DRIVE (75 PERCENT)	AH163931	2	AP1001381	4014486474961
4	FRONT CHOPPER (FINE CUT)	H157726	1	AP1004928	4014486866971
5	CHOPPER IN REAR (OPERATING) POSITION	H125381	1	AP1000778	4014486471885
5	CHOPPER IN WINDROW OR FORWARD POSITION	H23950	1	AP1000682	4014486470581
6	CLEAN GRAIN ELEVATOR	H141167	1	AP1004088	4014486520088
7	COOLING FAN	H153297	1	AP1001551	4014486484502
8	CYLINDER DR. REGULAR DUAL RANGE & SINGLE RANGE	H115881	1	AP1003663	4014486490817
8	CYLINDER INTERMEDIATE DRIVE	H210476	1	AP1003590	4014486460629
9	ENGINE FAN	H153297	1	AP1001551	4014486484502
10	FEEDER HOUSE VARIABLE SPEED	H161648	1	no AP	
11	FIXED SPEED FEEDER HOUSE WITH REVERSER	H126345	1	AP1001124	4014486497106
12	FOR EXTENDED RANGE	H210476	1	AP1003590	4014486460629
13	HEADER AND REEL PUMP	H151952	1	AP1003570	4014486497014
14	LOWER TAILINGS AUGER & ELEVATOR	N110085	1	AP1000702	4014486470857
15	ROTARY SCREEN	H145158	1	no AP	
15	ROTARY SCREEN DRIVE	H146636	1	AP1004193	4014486558487
16	SECONDARY COUNTERSHAFT	H128010	1	AP1000797	4014486472165
17	SHOE, STRAW WALKER & CONVEYOR AUGERS	H131169	1	AP1001392	4014486475104
18	STRAW CHOPPER DRIVE, FRONT	H125380	1	AP1000791	4014486472073
18	STRAW CHOPPER DRIVE, REGULAR SPEED	H152146	1	AP1001435	4014486459432
18	STRAW CHOPPER DRIVE, SLOW SPEED	H152180	1	AP1001431	4014486459395
19	STRAW SPREADER	H128234	1	AP1000419	4014486466829
20	UNLOADING SYSTEM	AH158880	2	AP1002861	4014486469400
9640					
1	9640	H175632	1	AP1004469	4014486712117
2		H115881	1	AP1003663	4014486490817
3		H177263	1	AP1001394	4014486475128
4		N110085	1	AP1000702	4014486470857
6		H146636	1	AP1004193	4014486558487
7	9640	H177186	1	AP1003223	4014486482508
8		H176765	1	AP1001789	4014486519686
10		H177177	1	AP1001905	4014486489668
11		H152146	1	AP1001435	4014486459432
12		H176766	1	AP1001756	4014486519556
13	FOR HILLMASTER ONLY	H202821	1	AP1001759	4014486519563
15		AH139436	2	AP1001382	4014486474978
16		AH158880	2	AP1002861	4014486469400
9650					
1	AIR CONDITIONING COMPRESSOR	H163515	1	AP1003209	4014486482256
1		R164820	1	AP1003114	4014486480641
2	ALTERNATOR (95 AMP) (-695300)	H163515	1	AP1003209	4014486482256
2	ALTERNATOR (185 AMP) (-695300)	H166870	1	AP1004090	4014486520521
2	ALTERNATOR (185 AMP) (695301-)	R164820	1	AP1003114	4014486480641
3	BEATER DRIVE (100%)	AH139436	2	AP1001382	4014486474978
3	BEATER DRIVE (75%)	AH163931	2	AP1001381	4014486474961
4	CLEAN GRAIN ELEVATOR	H141166	1	AP1001394	4014486475128
5	CLEANING FAN (750 - 1350 RPM)	H152146	1	AP1001435	4014486459432
5	CLEANING FAN (490 - 980 RPM)	H152180	1	AP1001431	4014486459395
6	COOLING FAN (-695300)	H153297	1	AP1001551	4014486484502
6	COOLING FAN (695301-)	H177186	1	AP1003223	4014486482508



JOHN DEERE

NR.	DRIVE	PART NUMBER	SET	AP NR.	EAN
7	COUNTERSHAFT SECONDARY	H128010	1	AP1000797	4014486472165
8	CYLINDER DRIVE (240 - 960 RPM)	H115881	1	AP1003663	4014486490817
8	CYLINDER INTERMEDIATE DRIVE BELT	H210476	1	AP1003590	4014486460629
9	ENGINE TO PTO JACKSHAFT (UPPER)	H157726	1	AP1004928	4014486866971
10	FEEDER HOUSE VARIABLE SPEED (-700300)	H161648	1	no AP	
12	FIXED SPEED FEEDER HOUSE W/REVERSER (-700300)	H126345	1	AP1001124	4014486497106
12	FIXED SPEED FEEDER HOUSE W/REVERSER (700301-)	H156796	1	AP1004269	4014486683301
13	HEADER AND REEL PUMP (STANDARD)	H151952	1	AP1003570	4014486497014
13	HEADER AND REEL PUMP (HIGH CAP.)	H155998	1	no AP	
14	LOWER TAILINGS AUGER & ELEVATOR	N110085	1	AP1000702	4014486470857
15	ROTARY SCREEN (-655300)	H145158	1	no AP	
15	ROTARY SCREEN DRIVE (695301-)	H146636	1	AP1004193	4014486558487
15	ROTARY SCREEN (695301-)	H175632	1	AP1004469	4014486712117
16	SHOE, STRAW WALKER & CONVEYOR AUGERS	H131169	1	AP1001392	4014486475104
17	STRAW CHOPPER (STANDARD BALING)	H23950	1	AP1000682	4014486470581
18	STRAW SPREADER	H128234	1	AP1000419	4014486466829
19	UNLOADING SYSTEM	AH158880	2	AP1002861	4014486469400
9660					
1	9660 / 9680	H175628	1	AP1000180	4014486462098
2		H115881	1	AP1003663	4014486490817
3		H177263	1	AP1001394	4014486475128
4		N110085	1	AP1000702	4014486470857
6		H146636	1	AP1004193	4014486558487
7	9660 / 9680	H174455	1	AP1003217	4014486482454
8		H176765	1	AP1001789	4014486519686
10		H177177	1	AP1001905	4014486489668
11		H152146	1	AP1001435	4014486459432
12		H176766	1	AP1001756	4014486519556
13	FOR HILLMASTER ONLY	H202821	1	AP1001759	4014486519563
15		AH139436	2	AP1001382	4014486474978
16		AH158880	2	AP1002861	4014486469400
9680					
1	9660 / 9680	H175628	1	AP1000180	4014486462098
2		H115881	1	AP1003663	4014486490817
3		H177263	1	AP1001394	4014486475128
4		N110085	1	AP1000702	4014486470857
6		H146636	1	AP1004193	4014486558487
7	9660 / 9680	H174455	1	AP1003217	4014486482454
8		H176765	1	AP1001789	4014486519686
10		H177177	1	AP1001905	4014486489668
11		H152146	1	AP1001435	4014486459432
12		H176766	1	AP1001756	4014486519556
13	FOR HILLMASTER ONLY	H202821	1	AP1001759	4014486519563
15		AH139436	2	AP1001382	4014486474978
16		AH158880	2	AP1002861	4014486469400
9880					
2	SEPARATOR VARIATOR HIGH HP	H207851	1	no AP	
3	SEPARATOR VARIATOR	H208431	1	no AP	
5	STRAW CHOPPER DRIVE	H217352	1	AP1001772	4014486519617
9935					
1		R123465	1	AP1003220	4014486482485



JOHN DEERE

NR.	DRIVE	PART NUMBER	SET	AP NR.	EAN
9980					
1	CLEAN GRAIN ELEVATOR DRIVE	H158512	1	AP1000853	4014486472844
2		H154723	1	AP1000738	4014486471335
3		AH150678	2	AP1002892	4014486470192
5	SHOE FAN AND CONVEYOR AUGERS	H175587	1	AP1004166	4014486523003
6	CLEANING FAN DRIVE	H165072	1	AP1001425	4014486459326
8		H154731	1	AP1000586	4014486469073
9		H175628	1	AP1000180	4014486462098
10		H178037	1	AP1002433	4014486493115
11		R135609	1	AP1003196	4014486481891
12	STRAW CHOPPER (REAR)	H156541	1	AP1001785	4014486519662
14		AH160080	2	AP1000681	4014486470550
16		H168301	1	AP1000708	4014486470956
17	STRAW CHOPPER JACKSHAFT DRIVE	H174367	1	AP1004686	4014486717853
19		H174885	1	AP1001777	4014486519631

JOHN DEERE

		155538	1	AP1003090	4014486482676
		41959200	1	AP1004091	4014486473117
		84012974	1	AP1004093	4014486475791
		84238514	1	AP1004074	4014486520323
		4032807792	1	AP1004089	4014486520583
		4032807792	1	AP1004089	4014486520583
		7700068536	1	AP1003955	4014486481105
		0554086.0	1	AP1004098	4014486520613
		0660316.0	1	AP1004099	4014486520606
		10VX00D	1	AP1004026	4014486519105
		57920E	1	AP1005072	4044978005724
		58484E	1	AP1005285	
		600A01	1	AP1003993	4014486518702
		600A02	1	AP1005144	4044978203465
		600A07	1	AP1000769	4014486471748
		600A11	1	AP1003991	4014486518665
		600A16	1	AP1005148	4044978203502
		63333E	1	AP1005284	
		67563E	1	AP1004407	
		72100E	1	AP1005286	
		9351.0198.00	1	AP1004019	4014486519457
		AFH213441	1	AP1004499	4014486717037
		AFH216521	1	AP1004499	4014486717037
		AH127866	2	AP1005145	4044978203472
		AH228935	1	AP1004563	4014486721997
		AH233198	2	AP1004464	4014486715651
		AH236689	2	AP1000768	4014486471755
		AJ58940	1	AP1002580	4014486495591
		AS26639	2	AP1004882	4014486719062
		AS33603	1	AP1004855	4014486719864
		AXE10455	1	no AP	
		AXE10456	1	AP1004660	4014486718751
		AXE13650	2	AP1002889	
		AXE17661	1	no AP	
		AXE17662	1	AP1005260	
		AXE22550	1	AP1004911	4014486868555
		AXE22550	1	AP1004911	4014486868555
		AXE24473	1	AP1004499	4014486717037
		AXE25334	2	AP1004856	4014486718485



JOHN DEERE

NR.	DRIVE	PART NUMBER	SET	AP NR.	EAN
		AXE26321	2	AP1004626	4014486717587
		AXE27897	1	no AP	
		AXE29294	3	no AP	
		AXE33418	2	AP1004564	4014486718461
		AXE33760	1	AP1002913	4014486484601
		AXE37395	1	AP1005220	4044978224941
		AXE37950	1	AP1005225	
		AXE41286	1	AP1005270	
		AXE42095	1	AP1005276	
		AXE51063	1	AP1001315	4014486492781
		AXE51876	1	AP1005269	
		AXE52471	1	AP1005245	
		AXE58436	1	AP1005263	
		AXE59549	1	AP1005246	
		AXE60997	1	AP1005129	4044978162960
		AYC10132	2	AP1004882	4014486719062
		AYC10133	1	AP1004855	4014486719864
		AZ100807	3	AP1003826	4014486464559
		AZ100808	3	AP1003827	4014486464627
		AZ100809	3	AP1003828	4014486464702
		AZ100810	3	AP1003829	4014486464764
		AZ101386	3	AP1004731	4014486719017
		AZ25400	2	AP1002206	4014486477573
		AZ40077	2	AP1001109	4014486496925
		AZ41136	2	AP1000620	4014486469608
		AZ43804	2	AP1002819	4014486464443
		AZ43805	2	AP1000202	4014486462401
		AZ45824	2	AP1004803	4014486720471
		AZ46283	2	AP1002348	4014486478815
		AZ58519	1	AP1004672	4014486720600
		AZ61336	3	AP1003831	4014486474565
		AZ63883	2	AP1004416	4014486714821
		AZY83541	1	AP1004838	4014486719345
		B28170	1	AP1003106	4014486497953
		C17165	1	no AP	
		C19647	1	no AP	
		C22534	1	AP1003401	4014486463095
		CC100317	1	AP1001834	4014486488586
		CC100318	1	AP1001831	4014486488548
		CC100752	1	AP1003654	4014486489675
		CC100753	1	AP1001899	4014486489583
		CC100754	1	AP1001894	4014486489538
		CC102733	1	AP1001841	4014486488708
		CC107199	1	AP1000034	4014486460711
		CC109629	1	AP1004800	4014486720440
		CC119474	1	AP1004807	4014486720419
		CC18089	1	AP1000550	4014486468380
		CC19065	1	AP1001004	4014486487862
		CC21115	1	AP1001006	4014486487886
		CC26949	1	AP1003358	4014486488463
		CC26973	1	AP1001814	4014486488272
		CC32123	1	AP1004607	4014486719338
		CC32124	1	AP1004823	4014486720396
		CC38627	1	AP1002334	4014486478662
		CC38702	1	AP1004568	4014486717334
		CC38984	1	AP1004825	4014486720402
		CQ00626	1	AP1001126	4014486497120



JOHN DEERE

NR.	DRIVE	PART NUMBER	SET	AP NR.	EAN
		CQ00628	1	AP1001758	4014486487411
		CQ02867	1	no AP	
		CQ03160	1	no AP	
		CQ03265	1	AP1000603	4014486469370
		CQ03283	1	AP1002874	4014486472837
		CQ03457	1	AP1003536	4014486470598
		CQ03478	1	AP1005141	4044978203434
		CQ03492	1	AP1002811	4014486462920
		CQ05106	1	AP1004933	4014486882988
		CQ05208	1	AP1001123	4014486497090
		CQ06153	1	no AP	
		CQ08238	1	AP1000150	4014486461695
		CQ08239	1	AP1000151	4014486461718
		CQ12236	1	AP1000109	4014486461138
		CQ13375	1	AP1003404	4014486463255
		CQ13673	1	AP1000085	4014486460827
		CQ13800	1	AP1000035	4014486460728
		CQ17755	1	AP1000225	4014486463033
		CQ24186	1	AP1000363	4014486466225
		CQ24340	1	AP1000132	4014486461480
		CQ28344	1	AP1001736	4014486487206
		CQ31965	1	AP1001583	4014486484908
		CQ33577	1	AP1002520	4014486494358
		CQ33886	1	no AP	
		CQ34122	1	AP1002525	4014486494433
		CQ34237	1	AP1003757	4014486461459
		CQ34345	1	AP1001631	4014486485769
		CQ35417	1	AP1003812	4014486481310
		CQ35426	1	AP1001867	4014486489071
		CQ35531	1	AP1001565	4014486484687
		CQ35559	1	AP1001731	4014486487152
		CQ37755	1	AP1002427	4014486493047
		CQ39824	1	AP1001734	4014486487183
		CQ40221	1	AP1003955	4014486481105
		CQ40222	1	AP1001563	4014486484656
		CQ42066	1	AP1003143	4014486481006
		CQ42150	1	AP1000650	4014486470123
		CQ45617	1	AP1002646	4014486480849
		CQ48048	1	AP1001634	4014486485820
		CQ50143	1	AP1003238	4014486482713
		CQ50144	1	AP1000987	4014486481778
		CQ51920	1	AP1003131	4014486482683
		CQ51921	1	AP1003817	4014486481709
		CQ53362	1	AP1000610	4014486469479
		CQ53363	1	AP1001263	4014486492231
		CQ53364	1	AP1001886	4014486489422
		CQ53367	1	AP1003612	4014486486322
		CQ53369	1	AP1000244	4014486520156
		CQ53370	1	AP1001546	4014486460667
		CQ53371	1	AP1000592	4014486469189
		CQ53372	1	AP1001838	4014486488647
		CQ57311	2	AP1002749	4014486461510
		CQ58873	1	AP1003235	4014486482669
		CQ58875	1	AP1002661	4014486481655
		CQ61084	1	AP1004375	4014486714203
		CQ62911	1	AP1001137	4014486490169
		CQ62912	1	AP1001028	4014486487824



JOHN DEERE

NR.	DRIVE	PART NUMBER	SET	AP NR.	EAN
		CQ71838	1	no AP	
		CQ71839	1	no AP	
		DQ05106	1	no AP	
		DQ06154	1	no AP	
		DQ20810	1	AP1002560	4014486495102
		DQ23754	1	AP1002589	4014486495836
		DQ29594	2	AP1001107	4014486496895
		E41055	1	no AP	
		E46113	1	AP1003505	4014486469196
		EP0020	1	AP1000220	4014486462838
		FH10164	1	AP1001838	4014486488647
		FH10165	1	AP1001844	4014486488739
		FH305097	1	AP1004571	4014486717365
		H105040	1	AP1001968	4014486490794
		H138761	1	AP1000701	4014486470840
		H139436	1	no AP	
		H157105	1	no AP	
		H157523	1	AP1001633	4014486485783
		H157726	1	AP1004928	4014486866971
		H160080	1	AP1000680	4014486470543
		H160831	1	AP1004455	4014486715569
		H161945	1	AP1004251	4014486675979
		H162310	1	AP1004598	4014486717914
		H163576	1	AP1001965	4014486490756
		H164368	1	AP1003830	4014486519747
		H166457	1	no AP	
		H166759	1	AP1000857	4014486472912
		H170047	1	AP1001548	4014486484472
		H172610	1	AP1003244	4014486482799
		H173024	1	no AP	
		H173832	1	AP1003799	4014486482553
		H174456	1	AP1003114	4014486480641
		H174457	1	AP1001777	4014486519631
		H175631	1	AP1004382	4014486714524
		H176536	1	AP1003125	4014486480788
		H176882	1	AP1001088	4014486496703
		H177442	1	AP1001917	4014486489835
		H177887	1	AP1003229	4014486482614
		H178757	1	AP1003110	4014486480573
		H180896	1	no AP	
		H201571	1	AP1001633	4014486485783
		H201794	1	AP1000671	4014486470390
		H201916	1	AP1002436	4014486493146
		H203473	1	AP1004929	4014486866988
		H204133	1	AP1004197	4014486675504
		H205169	1	no AP	
		H205240	1	AP1003229	4014486482614
		H206738	1	AP1001393	4014486475111
		H210001	1	AP1000678	4014486470512
		H210003	1	AP1000650	4014486470123
		H216026	1	AP1004130	4014486523126
		H220884	1	AP1000671	4014486470390
		H221324	1	AP1000678	4014486470512
		H221327	1	AP1000650	4014486470123
		H224185	1	AP1001606	4014486485325
		H228261	1	AP1001996	4014486491203
		H228348	1	AP1004686	4014486717853



JOHN DEERE

NR.	DRIVE	PART NUMBER	SET	AP NR.	EAN
		H228523	1	AP1004618	4014486717488
		H232237	1	AP1000685	4014486470635
		H234704	1	no AP	
		H238679	1	AP1004355	4014486713992
		H238867	1	AP1004367	4014486714104
		H238869	1	AP1004798	4014486719468
		H238870	1	AP1004794	4014486719512
		H238871	1	AP1004790	4014486719475
		H240885	1	AP1000708	4014486470956
		H240888	1	AP1004890	4014486720587
		H240895	1	AP1004060	4014486518771
		H240972	1	AP1003528	4014486470277
		H240974	1	AP1005156	4044978203588
		H241000	1	AP1001142	4014486490053
		H241000	1	AP1001142	4014486490053
		H241212	1	AP1004903	4014486800654
		H241230	1	AP1004595	4014486717884
		HXE100455	1	AP1005281	
		HXE105874	1	AP1005250	
		HXE10785	1	AP1002652	4014486481259
		HXE11255	1	AP1004137	4014486523416
		HXE122890	1	AP1005133	4044978203359
		HXE12425	1	AP1004588	4014486717808
		HXE12426	1	AP1004573	4014486717389
		HXE12427	1	AP1004572	4014486717372
		HXE124364A	1	AP1004918	4014486868548
		HXE124372	1	AP1001672	4014486486360
		HXE124391	1	AP1001624	4014486485592
		HXE124392	1	AP1001625	4014486485646
		HXE124393	1	AP1001627	4014486485660
		HXE124868	1	AP1004595	4014486717884
		HXE124869	1	AP1004903	4014486800654
		HXE126957	1	AP1004496	4014486716993
		HXE137654	1	AP1004496	4014486716993
		HXE13951	1	AP1004604	4014486718508
		HXE13957	1	AP1004603	4014486718492
		HXE15546	1	AP1004816	4014486719352
		HXE15547	1	AP1004817	4014486719369
		HXE15556	1	AP1004475	4014486715743
		HXE15594	1	AP1004058	4014486518337
		HXE15671	1	AP1004131	
		HXE16927	1	AP1005298	
		HXE16928	1	AP1004551	4014486719871
		HXE17071	1	AP1002643	4014486480689
		HXE17164	1	AP1001576	4014486484816
		HXE17475	1	no AP	
		HXE19401	1	AP1004502	4014486717068
		HXE20763	1	AP1004534	4014486718409
		HXE22617	1	no AP	
		HXE24085	1	AP1004352	4014486713961
		HXE24086	1	AP1003368	4014486461060
		HXE24210	1	AP1000693	4014486470741
		HXE24687	1	AP1002652	4014486481259
		HXE24688	1	AP1003129	4014486480832
		HXE28843	1	AP1003220	4014486482478
		HXE29021	2	AP1004856	4014486718485
		HXE34473	1	AP1004535	4014486718393



JOHN DEERE

NR.	DRIVE	PART NUMBER	SET	AP NR.	EAN
		HXE34567	1	AP1004386	4014486713930
		HXE35822	1	AP1004868	4014486716344
		HXE35957	1	AP1004417	4014486714838
		HXE35958	1	AP1000124	4014486461367
		HXE36535	1	no AP	
		HXE38000	1	AP1004892	4014486717075
		HXE39119	1	AP1004606	4014486718522
		HXE39397	1	AP1001612	4014486485400
		HXE41402	1	AP1001196	4014486482034
		HXE43172	1	no AP	
		HXE43428	1	AP1003143	4014486481006
		HXE43696	1	no AP	
		HXE44273	1	AP1004372	4014486714173
		HXE46515	1	AP1004315	4014486715941
		HXE47062	1	no AP	
		HXE47152	1	AP1005083	4044978005168
		HXE51300	1	AP1001394	4014486475128
		HXE54568	1	AP1005249	
		HXE56618	1	AP1001621	4014486485530
		HXE57305	1	AP1005290	
		HXE64200	1	AP1004851	4014486716542
		HXE65360	1	AP1005214	4044978222787
		HXE65361	1	AP1005215	4044978222831
		HXE72209	1	AP1000634	
		HXE72281	1	AP1004501	4014486717051
		HXE72591	1	AP1001593	4014486485080
		HXE73027	1	AP1001894	4014486489538
		HXE73048	1	AP1005248	
		HXE73049	1	AP1004835	4014486717099
		HXE73530	1	AP1005247	
		HXE73868	1	AP1004087	4014486520354
		HXE74209	1	AP1005204	4044978222770
		HXE74439	1	AP1005236	
		HXE74517	1	AP1005278	
		HXE74560	1	AP1004467	4014486715699
		HXE75054	1	AP1000324	4014486465488
		HXE75142	1	AP1005277	
		HXE76183	1	AP1005243	
		HXE81232	1	AP1002677	4014486482195
		HXE82335	1	AP1004166	4014486523003
		HXE86445	1	AP1005233	
		HXE87482	1	AP1003137	4014486519884
		HXE88939	1	AP1003340	4014486488807
		HXE88940	1	AP1005079	4044978005137
		HXE93098	1	AP1005224	
		HXE94485	1	AP1003590	4014486460629
		HXE95511	1	AP1004059	4014486519815
		HXE98150	1	AP1005280	
		J57007	1	AP1002735	4014486496178
		J57065	1	AP1002737	4014486496192
		J57234	1	AP1002514	4014486494266
		L101166	1	AP1003205	4014486482102
		L110391	1	AP1003209	4014486482256
		L110599	1	AP1005150	4044978203564
		L11060	1	AP1003797	4014486482287
		L110600	1	AP1002633	4014486480375
		L110602	1	AP1002671	4014486482096



JOHN DEERE

NR.	DRIVE	PART NUMBER	SET	AP NR.	EAN
		L110603	1	AP1002673	4014486482133
		L110607	1	AP1003215	4014486482362
		L110608	1	AP1003216	4014486482393
		L110609	1	AP1003220	4014486482478
		L111087	1	no AP	
		L111148	1	AP1002635	4014486480399
		L111169	1	AP1002634	4014486480382
		L111602	1	AP1003244	4014486482799
		L111685	1	AP1003788	4044978007179
		L111801	1	AP1003799	4014486482553
		L111933	1	AP1003223	4014486482508
		L114286	1	AP1003184	4014486481679
		L114290	1	AP1002684	4014486482591
		L114292	1	AP1003242	4014486482751
		L114293	1	AP1003248	4014486482836
		L114468	1	AP1003245	4014486482805
		L114487	1	AP1003184	4014486481679
		L115657	1	AP1003215	4014486482362
		L115658	1	AP1003216	4014486482393
		L115659	1	no AP	
		L115660	1	AP1002669	4014486482072
		L115661	1	AP1002671	4014486482096
		L166309	1	AP1003790	4014486482690
		L169990	1	AP1005049	4014486933963
		L170243	1	AP1005050	4014486933970
		L170245	1	AP1005051	4014486933987
		L172523	1	AP1004675	4014486720617
		L200916	1	AP1002696	4014486483147
		L201806	1	AP1002693	4014486483109
		L202229	1	AP1002697	4014486483154
		L202230	1	AP1002694	4014486483123
		L203293	1	AP1002695	4014486483130
		L203294	1	AP1004695	4014486716450
		L203295	1	AP1002698	4014486483161
		L203307	1	AP1004691	4014486716429
		L212327	1	AP1005052	4014486933901
		L213477	1	AP1005321	
		L79344	1	AP1002679	4014486482225
		L79943	1	AP1003207	4014486482171
		L79945	1	AP1003220	4014486482478
		M45862	1	AP1000108	4014486461121
		M82461	1	AP1000098	4014486460988
		N153524	1	AP1003063	4014486497977
		N154241	1	AP1003064	4014486497922
		N157368	1	AP1003060	401448658883
		N157369	1	AP1003061	4014486497915
		N371322	1	AP1003121	4014486480740
		P51165	1	AP1000240	4014486463484
		PT9483	1	no AP	
		QX38076	1	AP1003001	4014486518429
		R107324	1	AP1003118	4014486480702
		R108842	1	AP1003184	4014486481679
		R115257	1	AP1003092	4014486480313
		R116492	1	AP1003189	4014486481785
		R118318	1	AP1003220	4014486482478
		R120524	1	AP1002663	4014486481839
		R120852	1	AP1002656	4014486481396



JOHN DEERE

NR.	DRIVE	PART NUMBER	SET	AP NR.	EAN
		R122126	1	AP1003135	4014486480924
		R123292	1	AP1003215	4014486482362
		R123293	1	no AP	
		R123294	1	AP1003140	4014486480962
		R123296	1	AP1003143	4014486481006
		R123306	1	AP1003150	4014486481099
		R123307	1	AP1003134	4014486480917
		R123308	1	AP1003955	4014486481105
		R123432	1	AP1003140	4014486480962
		R123436	1	AP1002649	4014486481020
		R123437	1	AP1003139	4014486480955
		R123438	1	AP1003143	4014486481006
		R123439	1	AP1003135	4014486480924
		R123440	1	AP1003140	4014486480962
		R123441	1	AP1002649	4014486481020
		R123442	1	AP1003147	4014486481068
		R123445	1	AP1003147	4014486481068
		R123449	1	AP1003139	4014486480955
		R123450	1	AP1003143	4014486481006
		R123454	1	AP1002651	4014486481143
		R123456	1	AP1003147	4014486481068
		R123457	1	AP1003156	4014486481181
		R123458	1	AP1003158	4014486481204
		R123460	1	AP1002652	4014486481259
		R123461	1	AP1002651	4014486481143
		R123462	1	AP1002651	4014486481143
		R123463	1	AP1003955	4014486481105
		R123464	1	AP1003154	4014486481167
		R123466	1	AP1003223	4014486482508
		R123468	1	AP1003156	4014486481181
		R123470	1	AP1003223	4014486482508
		R123522	1	AP1003198	4014486481914
		R124785	1	AP1003118	4014486480702
		R124786	1	no AP	
		R125361	1	AP1003193	4014486481860
		R125752	1	AP1003812	4014486481310
		R128196	1	AP1003812	4014486481310
		R128197	1	AP1002656	4014486481396
		R128198	1	AP1003168	4014486481457
		R128199	1	AP1003172	4014486481495
		R128200	1	AP1003940	4014486481532
		R128201	1	AP1003177	4014486481587
		R128202	1	AP1003179	4014486481600
		R128203	1	AP1003179	4014486481600
		R128204	1	AP1003186	4014486481730
		R128205	1	AP1003191	4014486481846
		R128206	1	AP1003195	4014486481884
		R128208	1	AP1003198	4014486481914
		R128209	1	AP1003200	4014486481952
		R128806	1	AP1004344	4014486716054
		R129083	1	AP1002663	4014486481839
		R129738	1	AP1002686	4014486482720
		R130478	1	AP1003078	4014486484205
		R130852	1	AP1003128	4014486480825
		R130899	1	AP1003253	4014486482904
		R131433	1	AP1003216	4014486482393
		R131436	1	no AP	



JOHN DEERE

NR.	DRIVE	PART NUMBER	SET	AP NR.	EAN
		R132159	1	AP1003248	4014486482836
		R132925	1	AP1003081	4014486484243
		R133402	1	AP1003216	4014486482393
		R133518	1	AP1003195	4014486481884
		R133693	1	AP1003119	4014486480726
		R133694	1	AP1003111	4014486480580
		R133695	1	AP1003108	4014486480542
		R133696	1	AP1003969	4014486480610
		R133697	1	AP1003814	4014486481624
		R133699	1	AP1003127	4014486480818
		R133700	1	AP1003122	4014486480757
		R133701	1	AP1003116	4014486480665
		R133702	1	no AP	
		R133704	1	AP1004343	4014486716047
		R133705	1	AP1004124	4014486523065
		R133706	1	AP1003074	4014486484151
		R133707	1	AP1003080	4014486484229
		R133852	1	AP1003073	4014486484144
		R133853	1	AP1003203	4014486482058
		R134299	1	AP1002669	4014486482072
		R134594	1	AP1003229	4014486482614
		R134599	1	no AP	
		R134625	1	AP1003156	4014486481181
		R134630	1	AP1004345	4014486716061
		R134631	1	AP1003079	4014486484212
		R134634	1	AP1003076	4014486484175
		R134635	1	AP1002642	4014486480627
		R134636	1	AP1003109	4014486480559
		R134637	1	AP1003186	4014486481730
		R134638	1	AP1004685	4014486716375
		R135169	1	AP1003133	4014486480900
		R135188	1	AP1001337	4014486482652
		R135189	1	AP1003229	4014486482614
		R135192	1	AP1002652	4014486481259
		R135193	1	AP1002679	4014486482225
		R135194	1	AP1003224	4014486482515
		R135195	1	AP1003156	4014486481181
		R135198	1	AP1003244	4014486482799
		R135200	1	AP1002656	4014486481396
		R135568	1	AP1002656	4014486481396
		R135589	1	AP1002652	4014486481259
		R135590	1	AP1003812	4014486481310
		R135591	1	AP1002656	4014486481396
		R135592	1	AP1003168	4014486481457
		R135593	1	AP1003168	4014486481457
		R135594	1	AP1003170	4014486481471
		R135595	1	AP1003171	4014486481488
		R135596	1	AP1003172	4014486481495
		R135597	1	AP1003179	4014486481600
		R135598	1	AP1003940	4014486481532
		R135599	1	AP1003940	4014486481532
		R135600	1	AP1003177	4014486481587
		R135601	1	AP1003179	4014486481600
		R135602	1	AP1003184	4014486481679
		R135603	1	AP1003186	4014486481730
		R135604	1	AP1003189	4014486481785
		R135605	1	AP1002663	4014486481839



JOHN DEERE

NR.	DRIVE	PART NUMBER	SET	AP NR.	EAN
		R135607	1	AP1003194	4014486481877
		R135608	1	AP1003195	4014486481884
		R135611	1	AP1003200	4014486481952
		R135612	1	AP1003245	4014486482805
		R135613	1	AP1003248	4014486482836
		R135614	1	AP1002690	4014486482959
		R135615	1	AP1002687	4014486482850
		R135663	1	AP1004259	4014486676181
		R135664	1	AP1003254	4014486482911
		R135665	1	AP1001336	4014486482980
		R135680	1	AP1003158	4014486481204
		R135681	1	AP1003143	4014486481006
		R135824	1	AP1003940	4014486481532
		R135826	1	AP1003158	4014486481204
		R135977	1	AP1003158	4014486481204
		R136284	1	AP1003209	4014486482256
		R136535	1	AP1003163	4014486481358
		R156049	1	AP1003238	4014486482713
		R156050	1	AP1003238	4014486482713
		R175712	1	AP1003179	4014486481600
		R175825	1	AP1004341	4014486716023
		R175826	1	AP1003192	4014486481853
		R181917	1	AP1003245	4014486482805
		R181918	1	AP1002692	4014486483086
		R202628	1	AP1003242	4014486482751
		R211183	1	AP1003119	4014486480726
		R239551	1	no AP	
		R300380	1	no AP	
		R300399	1	AP1005184	4044978222664
		R500089	1	AP1003788	4044978007179
		R500090	1	AP1003248	4014486482836
		R500244	1	AP1003220	4014486482478
		R500377	1	AP1003955	4014486481105
		R500378	1	AP1002686	4014486482720
		R500379	1	no AP	
		R500380	1	AP1003088	4014486482539
		R500381	1	AP1003217	4014486482454
		R500382	1	AP1003089	4014486482577
		R500383	1	AP1003955	4014486481105
		R500384	1	AP1003147	4014486481068
		R500385	1	AP1003242	4014486482751
		R500616	1	no AP	
		R501007	1	AP1003132	4014486480894
		R501017	1	AP1002648	4014486480870
		R501053	1	AP1002652	4014486481259
		R501191	1	AP1003258	4014486483017
		R501266	1	AP1003120	4014486480733
		R501308	1	AP1003242	4014486482751
		R501526	1	AP1003258	4014486483017
		R502016	1	AP1003204	4014486482065
		R502078	1	AP1003259	4014486483024
		R502086	1	AP1003198	4014486481914
		R502089	1	AP1003248	4014486482836
		R502186	1	AP1003193	4014486481860
		R502306	1	AP1003082	4014486484250
		R502416	1	AP1002684	4014486482591
		R502417	1	AP1001196	4014486482034



JOHN DEERE

NR.	DRIVE	PART NUMBER	SET	AP NR.	EAN
		R502418	1	AP1003792	4014486481990
		R502461	1	no AP	
		R502476	1	AP1003168	4014486481457
		R503311	1	AP1003718	4014486519365
		R503323	1	AP1003066	4014486484076
		R503324	1	AP1004685	4014486716375
		R503571	1	AP1004259	4014486676181
		R503726	1	AP1003129	4014486480832
		R503932	1	AP1002677	4014486482195
		R504022	1	AP1002651	4014486481143
		R504023	1	AP1003088	4014486482539
		R504618	1	AP1003220	4014486482478
		R504963	1	AP1003143	4014486481006
		R505186	1	AP1003158	4014486481204
		R505812	1	AP1003094	4014486480436
		R515127	1	AP1003198	4014486481914
		R515209	1	AP1003209	4014486482256
		R515217	1	AP1003095	4014486480443
		R515219	1	AP1003096	4014486480429
		R515220	1	AP1003093	4014486480467
		R517012	1	AP1003099	4014486480504
		R517039	1	AP1003100	4014486480498
		R517041	1	AP1003101	4014486480481
		R94373	1	AP1003812	4014486481310
		R98510	1	AP1002652	4014486481259
		S07074	1	AP1001757	4014486487404
		S07075	1	AP1001112	4014486496956
		S13042	1	AP1001412	4014486459197
		S165708	1	no AP	
		S17044	1	AP1000033	4014486460704
		S17045	1	AP1004832	4014486714142
		S26382	1	no AP	
		S33510	1	AP1000609	4014486469486
		S33512	1	AP1001595	4014486675481
		S33602	1	no AP	
		S33607	1	AP1004199	4014486675498
		S33721	1	no AP	
		S37687	1	no AP	
		S60001	1	AP1000569	4014486468779
		S60004	1	AP1000569	4014486468779
		S60011	1	AP1001851	4014486488852
		S60016	1	AP1000553	4014486468434
		S60018	1	AP1000623	4014486469684
		S60021	1	AP1001996	4014486491203
		S60022	1	AP1000607	4014486469455
		SA00101	1	AP1000703	4014486470871
		SA00201	1	AP1004467	4014486715699
		SA00301	1	AP1000538	4014486468199
		SA00401	1	AP1000646	4014486470062
		SA00501	1	no AP	
		SA00601	1	AP1000686	4014486470642
		SA36130	1	AP1004674	4014486713886
		SA36521	1	AP1004815	4014486721195
		SA36536	1	AP1004309	4014486713909
		T148208	1	AP1003940	4014486481532
		T155457	1	AP1003812	4014486481310
		T160034	1	AP1003171	4014486481488



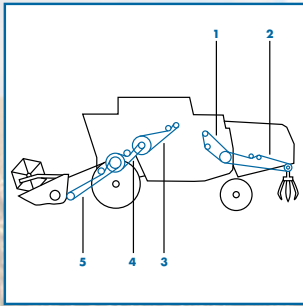
JOHN DEERE

NR.	DRIVE	PART NUMBER	SET	AP NR.	EAN
		T160036	1	AP1003814	4014486481624
		T164949	1	AP1002643	4014486480689
		T166823	1	AP1003116	4014486480665
		T178409	1	AP1003171	4014486481488
		T178410	1	AP1003163	4014486481358
		T178411	1	AP1003807	4014486483048
		T178412	1	AP1001336	4014486482980
		T178413	1	AP1003940	4014486481532
		T178414	1	AP1003788	4044978007179
		T178415	1	AP1003147	4014486481068
		T178416	1	AP1004259	4014486676181
		T178417	1	AP1003154	4014486481167
		T178418	1	AP1003116	4014486480665
		T178419	1	AP1003186	4014486481730
		T178420	1	AP1003143	4014486481006
		T178421	1	AP1002663	4014486481839
		T178422	1	AP1003156	4014486481181
		T178423	1	AP1003200	4014486481952
		T178465	1	no AP	
		T178536	1	AP1003179	4014486481600
		T178538	1	AP1003172	4014486481495
		T178539	1	no AP	
		T178548	1	AP1003808	4014486483093
		T180368	1	AP1001337	4014486482652
		T182169	1	AP1003086	4014486484304
		T184590	1	AP1003229	4014486482614
		T184592	1	AP1003184	4014486481679
		T184594	1	AP1003158	4014486481204
		T184595	1	AP1003088	4014486482539
		T185061	1	AP1003172	4014486481495
		T185081	1	AP1002661	4014486481655
		T186776	1	AP1002651	4014486481143
		T187391	1	AP1003085	4014486484298
		T187704	1	no AP	
		T189016	1	no AP	
		T190384	1	AP1003088	4014486482539
		T190809	1	AP1003788	4044978007179
		T190810	1	no AP	
		T190817	1	AP1003177	4014486481587
		VK648204	1	AP1004584	4014486717761
		VK648215	1	AP1003358	4014486488463
		VK648216	1	AP1004589	4014486717815
		VK648223	3	AP1004395	4014486714616
		YC30928	1	AP1001832	
		Z101214	1	AP1004349	4014486716122
		Z103479	1	AP1004381	4014486714517
		Z103583	1	AP1004753	4014486719116
		Z103861	1	AP1004467	4014486715699
		Z103867	1	AP1000701	4014486470840
		Z104104	1	AP1004884	4014486719130
		Z104978	1	AP1004885	4014486719154
		Z105041	1	AP1003590	4014486460629
		Z105506	1	AP1002642	4014486480627
		Z106227	1	no AP	
		Z21399	1	no AP	
		Z22556	1	no AP	
		Z23087	1	AP1004454	4014486715552

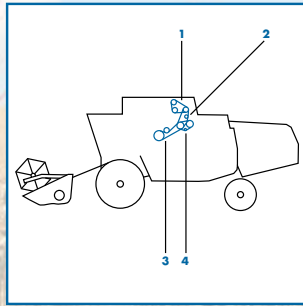


JOHN DEERE

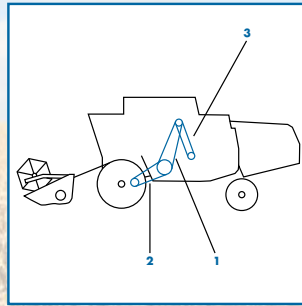
NR.	DRIVE	PART NUMBER	SET	AP NR.	EAN
		Z23475	1	AP1000446	4014486467130
		Z23476	1	AP1000446	4014486467130
		Z24729	1	AP1000614	4014486469523
		Z25670	1	AP1001118	4014486497038
		Z27710	1	AP1001102	4014486496840
		Z28458	1	AP1005144	
		Z28842	1	AP1003571	4014486496994
		Z30881	1	AP1003999	4014486518887
		Z31867	1	no AP	
		Z32158	1	AP1004437	4014486715361
		Z34121	1	AP1001493	4014486460032
		Z35357	1	AP1003621	4014486487046
		Z35358	1	AP1003361	4014486485752
		Z36376	1	AP1001452	4014486459609
		Z36499	1	AP1000706	4014486470925
		Z36770	1	AP1000751	4014486471496
		Z36771	1	AP1001682	4014486486537
		Z37121	1	AP1004106	4014486522815
		Z38699	1	AP1003389	4014486462517
		Z38708	1	AP1000575	4014486468847
		Z39750	1	AP1004673	4014486713879
		Z43808	1	AP1002354	4014486478877
		Z44762	1	AP1001723	4014486487060
		Z48472	1	AP1002514	4014486494266
		Z51089	1	AP1001689	4014486486636
		Z51202	1	AP1001733	4014486487176
		Z52009	1	AP1002575	4014486495478
		Z53478	1	AP1001737	4014486487213
		Z54332	1	AP1004183	4014486554380
		Z56313	1	AP1000305	4014486465105
		Z56351	1	AP1004184	4014486554342
		Z56352	1	AP1004185	4014486554359
		Z56829	1	AP1000316	4014486465334
		Z59435	1	no AP	
		Z59930	1	AP1001734	4014486487183
		Z63322	1	AP1003832	4014486475074
		Z66787	1	AP1001097	4014486496796
		Z66873	1	AP1001924	4014486489927
		Z67285	1	AP1000299	4014486464955
		Z67326	1	AP1001926	4014486489941
		Z73506	1	AP1003797	4014486482287
		Z73879	1	AP1000631	4014486469837
		Z75245	1	AP1003945	4014486481969
		Z75246	1	AP1003266	4014486483116
		Z77222	1	AP1002692	4014486483086
		Z78834	1	AP1004069	4014486520200
		Z78860	1	no AP	
		Z81070	1	AP1003083	4014486484274
		Z81937	1	AP1004809	4014486720501
		ZY100182	1	AP1005109	4044978143679
		ZY100322	1	AP1001711	4014486486896
		ZY103687	1	AP1001555	4014486484540
		ZY86859	1	AP1004384	4014486714548
		ZY87107	1	no AP	
		ZY94047	1	AP1004431	4014486715309
		ZY94115	1	AP1000671	4014486470390
		ZY95337	1	AP1000796	4014486472158



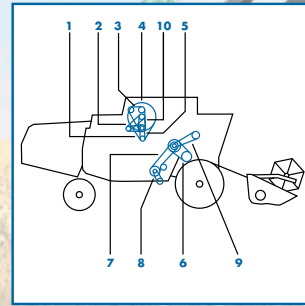
1072-1075-1075 HYDRO 4 LEFT



1072- 075-1075 HYDRO 4 LEFT



1072-1075-1075 HYDRO 4 LEFT



1072-1075-1075 HYDRO 4 RIGHT

JOHN DEERE

NR.	DRIVE	PART NUMBER	SET	AP NR.	EAN
		ZY96548	1	AP1004910	4014486868586
		ZY96551	1	AP1005137	4044978203397
		ZY96558	1	AP1000680	4014486470543
		ZY98714	1	AP1003854	4014486486926

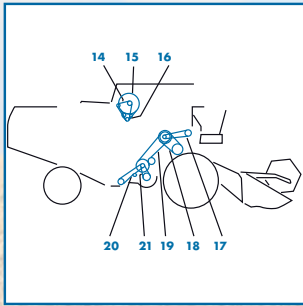
1072 - 1075 - 1075 HYDRO 4

1	FAN DRIVE - 1075 (TO NR 44386)	AR72036	1	AP1002351	4014486478846
4	1072 (FROM NR. 39787) - 1075-1075 HY4 (FROM NR. 44387)	Z34786	1	AP1000040	4014486460773
4	ROTARY SCREEN - 1075 HY 4 (TO NR. 44386)	Z37192	1	AP1004106	4014486522815
5	ROTARY SCREEN 1072 - 1075	Z32190	1	AP1000002	4014486458985
5	ROTARY SCREEN - 1075 HY 4 (TO NR. 44386)	Z37191	1	AP1004105	4014486522761
5	ROTARY SCREEN - 1075 HY 4 (FROM NR. 44387)	Z45191	1	AP1000003	4014486458992
6	CYLINDER VARIATOR DRIVE (1072)	Z20823	1	AP1001507	4014486460223
6	CYLINDER DRIVE - 1075 + 1075 HY 4	Z37473	1	AP1003589	4014486460315
7	FAN DRIVE VARIABLE SPEED	Z34405	1	AP1000675	4014486470475
8	FAN DRIVE VARIABLE SPEED	Z41178	1	AP1001396	4014486459012
9	FROM NR. 44137	Z45026	1	AP1000261	4014486464177
10	1075 HY 4 (FROM NR. 44387)	Z45192	1	AP1002425	4014486493023
11	SHAKER SHAFT DRIVE	Z35965	1	AP1003380	4014486461749
12	STRAW WALKER DRIVE	Z33774	1	AP1000401	4014486466645
13		Z33790	1	AP1001995	4014486491180
14	MAIN DRIVE (GRAIN)	Z21501	1	AP1001102	4014486496840
14	MAIN DRIVE - 1075/1075 HY 4 (MAIZE)	Z38186	1	AP1001647	4014486485998
15	CUTTING TABLE DRIVE - 1072	Z39313	1	AP1001109	4014486496925
15	CUTTING TABLE DRIVE - 1075/1075 HY 4	Z39314	1	AP1001121	4014486497076
21	AIR CONDITIONING COMPRESSOR DRIVE SUB. FOR Z41889	Z42756	1	AP1002350	4014486478839
22		Z42757	1	AP1000226	4014486463026
23	HYDRAULIC PUMP DRIVE	Z34828	1	AP1003397	4014486462821
24	DISCHARGE BEATER DRIVE	Z47911	1	AP1000604	4014486469363
31	MAIN DRIVE (1075)	AZ22914	2	AP1001109	4014486496925
32	1075	Z34099	1	AP1001523	4014486460421
33	1075 HY 4	Z41728	1	AP1001828	4014486488494
41		Z43863	1	AP1000036	4014486460735

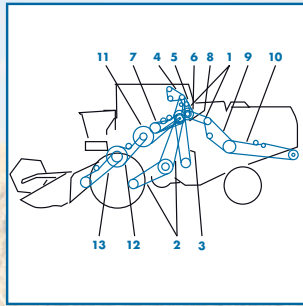
1075 HYDRO 4

1	CUTTING TABLE DRIVE LEAD-IN	Z33790	1	AP1001995	4014486491180
2	DISCHARGE BEATER DRIVE	Z33368	1	AP1000603	4014486469370
3	AIR CONDITIONING COMPRESSOR DRIVE	CA22534	1	AP1003401	4014486463095
4	HYDROSTATIC PUMP DRIVE	Z34828	1	AP1003397	4014486462821
5	SHAKER SHAFT DRIVE	Z35965	1	AP1003380	4014486461749
7	LEAD-IN DRIVE	Z21501	1	AP1001102	4014486496840
7	LEAD-IN DRIVE	Z38186	1	AP1001647	4014486485998
8	CUTTING TABLE DRIVE	Z39314	1	AP1001121	4014486497076
10	ROTARY SCREEN DRIVE	Z34786	1	AP1000040	4014486460773
10	ROTARY SCREEN DRIVE	Z37192	1	AP1004106	4014486522815
11	ROTARY SCREEN DRIVE	Z37191	1	AP1004105	4014486522761
12	CYLINDER VARIATOR DRIVE	Z37473	1	AP1003589	4014486460315
13	FAN DRIVE VARIABLE SPEED	Z34405	1	AP1000675	4014486470475
14	FAN DRIVE VARIABLE SPEED	Z41178	1	AP1001396	4014486459012
16	REEL DRIVE VARIABLE SPEED	Z36813	1	AP1001397	4014486459036
17	REEL DRIVE VARIABLE SPEED	Z20562	1	AP1000753	4014486471526
18	HYDROSTATIC PUMP DRIVE	Z41728	1	AP1001828	4014486488494
22	STRAW WALKER DRIVE	Z33774	1	AP1000401	4014486466645

1085 - 1085 HYDRO 4



1169-1169 HYDRO 4 LEFT



1169-1169 HYDRO 4 RIGHT

JOHN DEERE

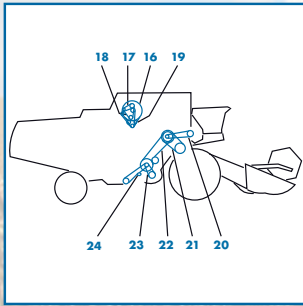
NR.	DRIVE	PART NUMBER	SET	AP NR.	EAN
2	FAN DRIVE (TO NR. 44386)	Z38703	1	AP1002344	4014486478778
4	ROTARY SCREEN - 1085 (TO NR. 44386) - 1085 HY4	Z38704	1	AP1000039	4014486460766
6	CYLINDER VARIATOR DRIVE	Z37473	1	AP1003589	4014486460315
7	FAN DRIVE VARIABLE SPEED	Z34405	1	AP1000675	4014486470475
8	FAN DRIVE VARIABLE SPEED	Z41178	1	AP1001396	4014486459012
9	1085 (FROM NR. 44387)	Z45191	1	AP1000003	4014486458992
10	1085 (FROM NR. 44387)	Z34786	1	AP1000040	4014486460773
12	1085 (FROM NR. 44387)	Z45192	1	AP1002425	4014486493023
12	1085 HY 4 (FROM NR. 44387)	Z45367	1	AP1002426	4014486493030
13	FROM NR. 44137	Z45026	1	AP1000261	4014486464177
21	SHAKER SHAFT DRIVE	Z35965	1	AP1003380	4014486461749
22	STRAW WALKER DRIVE	Z33774	1	AP1000401	4014486466645
23	CUTTING TABLE DRIVE LEAD-IN - 1085 (FROM NR. 44387)	Z33790	1	AP1001995	4014486491180
23	CUTTING TABLE DRIVE LEAD-IN - 1085 (TO NR. 44386) -1085 HY4	Z38697	1	AP1001996	4014486491203
24		Z43890	1	AP1003643	4014486489156
31		Z42756	1	AP1002350	4014486478839
32	AIR CONDITIONING COMPRESSOR DRIVE (FROM NR. 33563)	Z42758	1	AP1003401	4014486463095
33	HYDRAULIC PUMP DRIVE	Z34828	1	AP1003397	4014486462821
34		Z47912	1	AP1000607	4014486469455
41	MAIN DRIVE (1085)	AZ22914	2	AP1001109	4014486496925
42	MAIN DRIVE (1085)	Z34099	1	AP1001523	4014486460421
51		Z43863	1	AP1000036	4014486460735

1166 - 1166 HYDRO 4

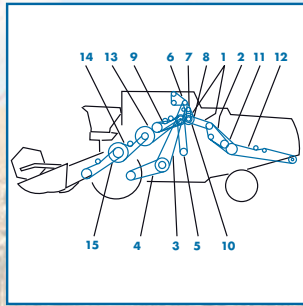
2	1166	AZ37807	2	AP1001108	4014486496901
3	1166	Z34099	1	AP1001523	4014486460421
5	1166	Z42756	1	AP1002350	4014486478839
6	1166	Z45482	1	AP1000224	4014486462913
7		Z34828	1	AP1003397	4014486462821
8		Z51212	1	AP1001027	4014486487800
9		Z46759	1	AP1002333	4014486478648
10		Z35965	1	AP1003380	4014486461749
12		Z33790	1	AP1001995	4014486491180
13	DRIVE GRAIN	Z21501	1	AP1001102	4014486496840
13	MAIZE	Z38186	1	AP1001647	4014486485998
14		Z39313	1	AP1001109	4014486496925
14	FOR LONG FEEDER HOUSE	Z39314	1	AP1001121	4014486497076
15		AR72036	1	AP1002351	4014486478846
16		Z46764	1	AP1004107	4014486522822
17		Z32190	1	AP1000002	4014486458985
18		Z45026	1	AP1000261	4014486464177
19		Z20823	1	AP1001507	4014486460223
19		Z44936	1	AP1001544	4014486460643
19	SUB FOR Z20823	Z53288	1	AP1001507	4014486460223
21		Z47912	1	AP1000607	4014486469455
22		Z46365	1	AP1001404	4014486459104
23	1166	Z43863	1	AP1000036	4014486460735

1169 - 1169 HYDRO 4

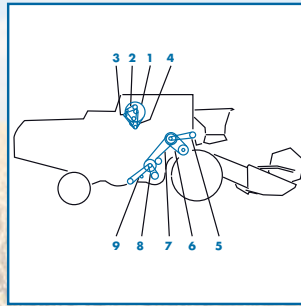
4	AIR CONDITIONING COMPRESSOR DRIVE WITH SEPARATE CONDENSER COOLING - 1169 ONLY 1169	Z42756	1	AP1002350	4014486478839
5		Z45482	1	AP1000224	4014486462913
6		Z34828	1	AP1003397	4014486462821
7		Z51212	1	AP1001027	4014486487800
8	AIR CONDITIONING COMPRESSOR DRIVE	Z46759	1	AP1002333	4014486478648
9		Z35965	1	AP1003380	4014486461749
11		Z33790	1	AP1001995	4014486491180



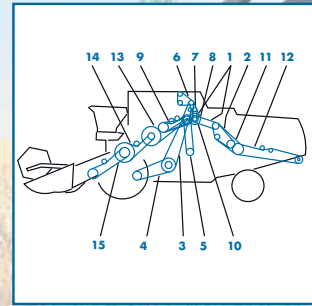
1174-1174 HYDRO 4 LEFT



1174-1174 HYDRO 4 RIGHT



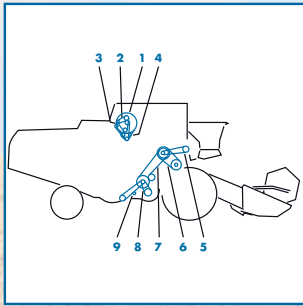
1177-1177 HYDRO 4 LEFT



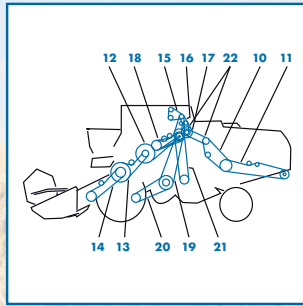
1177-1177 HYDRO 4 RIGHT

JOHN DEERE

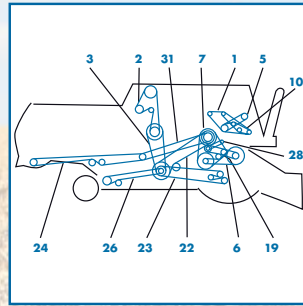
NR.	DRIVE	PART NUMBER	SET	AP NR.	EAN
12	MAIZE	Z21501	1	AP1001102	4014486496840
12	DRIVE GRAIN	Z38186	1	AP1001647	4014486485998
13		Z39312	1	AP1001118	4014486497038
14		AR72036	1	AP1002351	4014486478846
15		Z46764	1	AP1004107	4014486522822
16		Z32190	1	AP1000002	4014486458985
17		Z45026	1	AP1000261	4014486464177
18		Z20823	1	AP1001507	4014486460223
18	SUB FOR Z20823	Z53288	1	AP1001507	4014486460223
20		Z47912	1	AP1000607	4014486469455
21		Z46365	1	AP1001404	4014486459104
1174 - 1174 HYDRO 4					
1		Z43863	1	AP1000036	4014486460735
2		Z38704	1	AP1000039	4014486460766
3	1174 - FOR POSI-TORQUE GROUND SPEED DRIVE	AZ37807	2	AP1001108	4014486496901
4	1174 - FOR POSI-TORQUE GROUND SPEED DRIVE	Z34099	1	AP1001523	4014486460421
5	1174 HY 4 ONLY	Z41728	1	AP1001828	4014486488494
6	AIR CONDITIONING WITH SEPARATE CONDENSER COOLING	Z42756	1	AP1002350	4014486478839
7		Z45482	1	AP1000224	4014486462913
8		Z34828	1	AP1003397	4014486462821
9		Z51212	1	AP1001027	4014486487800
10	AIR CONDITIONING WITH INTEGRATED CONDENSER COOLING	Z46759	1	AP1002333	4014486478648
11		Z35965	1	AP1003380	4014486461749
13		Z33790	1	AP1001995	4014486491180
14		Z21501	1	AP1001102	4014486496840
14		Z38186	1	AP1001647	4014486485998
15		Z39313	1	AP1001109	4014486496925
15	FOR FEEDER CONVEYOR LONG	Z39314	1	AP1001121	4014486497076
16	AIR CONDITIONING WITH SEPARATE CONDENSER COOLING	Z38704	1	AP1000039	4014486460766
16	1174 ONLY AC WITH INTEGRATED CONDENSER COOLING	Z46764	1	AP1004107	4014486522822
17		AR72036	1	AP1002351	4014486478846
18	1174 HY 4 ONLY	Z45367	1	AP1002426	4014486493030
19		Z32190	1	AP1000002	4014486458985
20		Z45026	1	AP1000261	4014486464177
21		Z20823	1	AP1001507	4014486460223
21		Z44936	1	AP1001544	4014486460643
21	SUB FOR Z20823	Z53288	1	AP1001507	4014486460223
23		Z46365	1	AP1001404	4014486459104
24		Z47912	1	AP1000607	4014486469455
1177 - 1177 HYDRO 4					
1	1177 ONLY- AC WITH INTEGRATED CONDENSER COOLING	Z46764	1	AP1004107	4014486522822
2	1177 ONLY	AR72036	1	AP1002351	4014486478846
3		Z45367	1	AP1002426	4014486493030
5		Z45026	1	AP1000261	4014486464177
6		Z44936	1	AP1001544	4014486460643
8		Z46365	1	AP1001404	4014486459104
9		Z47912	1	AP1000607	4014486469455
10		Z35965	1	AP1003380	4014486461749
12	1177 ONLY	Z33790	1	AP1001995	4014486491180
13		Z38186	1	AP1001647	4014486485998
14		Z39314	1	AP1001121	4014486497076
15	AIR CONDITIONING WITH SEPARATE CONDENSER COOLING	Z42756	1	AP1002350	4014486478839
16	1177 HY 4	Z42757	1	AP1000226	4014486463026
16	1177 ONLY	Z45482	1	AP1000224	4014486462913
17		Z34828	1	AP1003397	4014486462821



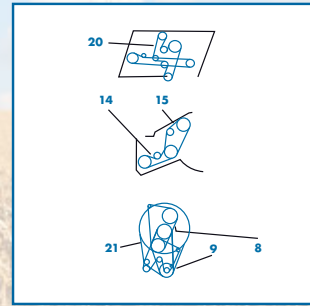
1188-1188 HYDRO 4 LEFT



1188-1188 HYDRO 4 RIGHT



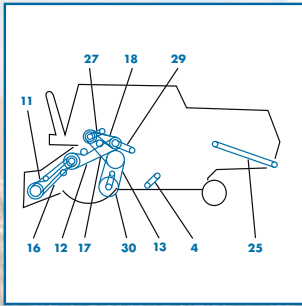
6600 SIDEHILL LEFT



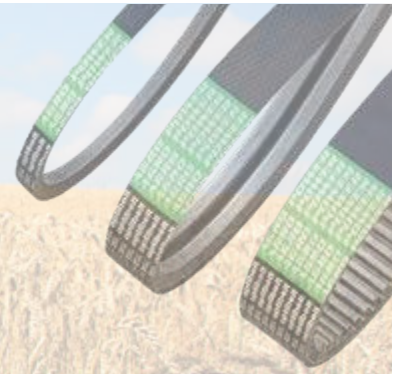
6600 SIDEHILL MIDDLE

JOHN DEERE

NR.	DRIVE	PART NUMBER	SET	AP NR.	EAN
18		Z51212	1	AP1001027	4014486487800
19	1177 ONLY- AC WITH INTEGRATED CONDENSER COOLING	Z46759	1	AP1002333	4014486478648
20	1177	AZ37807	2	AP1001108	4014486496901
21	1177	Z34099	1	AP1001523	4014486460421
22	1177 HY 4	Z46709	1	AP1001832	4014486488555
23		Z43863	1	AP1000036	4014486460735
24	WITHOUT CROOS SHAKER	Z38704	1	AP1000039	4014486460766
1188 - 1188 HYDRO 4					
1		Z38704	1	AP1000039	4014486460766
3		Z45367	1	AP1002426	4014486493030
5		Z45026	1	AP1000261	4014486464177
6		Z44936	1	AP1001544	4014486460643
8		Z46365	1	AP1001404	4014486459104
9		Z47912	1	AP1000607	4014486469455
10		Z35965	1	AP1003380	4014486461749
12		Z46463	1	AP1001261	4014486492200
13		Z43890	1	AP1003643	4014486489156
14	FOR FEEDER CONVEYOR LONG	Z43889	1	AP1002707	4014486486452
15		Z42756	1	AP1002350	4014486478839
17		Z34828	1	AP1003397	4014486462821
18		Z51212	1	AP1001027	4014486487800
20	1188 ONLY	Z34099	1	AP1001523	4014486460421
22		Z43863	1	AP1000036	4014486460735
		Z51707	1	AP1001634	4014486485820
4435 - 4435 HYDRO					
1	ALTERNATOR AND WATERPUMP DRIVE	AR72036	1	AP1002351	4014486478846
2	CENTER SHAFT TO ROTARY SCREEN	Z46764	1	AP1004107	4014486522822
3	CRANKSHAFT - CENTER SHAFT	Z32190	1	AP1000002	4014486458985
4	CLEANING FAN DRIVE	Z46365	1	AP1001404	4014486459104
6	CYLINDER	Z44936	1	AP1001544	4014486460643
7	TAILINGS ELEVATOR DRIVE	Z45026	1	AP1000261	4014486464177
8	CLEAN GRAIN ELEVATOR DRIVE	Z47912	1	AP1000607	4014486469455
10	BEATER DRIVE	Z33790	1	AP1001995	4014486491180
11	FEEDER HOUSE DRIVE	Z38186	1	AP1001647	4014486485998
12	STRAW CHOPPER (FRONT)	Z44761	1	AP1001668	4014486486315
13	STRAW CHOPPER DRIVE (REAR)	Z47763	1	AP1001735	4014486487190
14	MAIN HYDRAULIC PUMP	Z34828	1	AP1003397	4014486462821
15	COMPRESSOR DRIVE	Z46759	1	AP1002333	4014486478648
16	UNLOADING AUGER DRIVE	Z51212	1	AP1001027	4014486487800
17	GROUND DRIVE (UPPER)	AZ37807	2	AP1001108	4014486496901
18	GROUND DRIVE (LOWER)	Z34099	1	AP1001523	4014486460421
21		Z55645	1	AP1001739	4014486487237
6600 SIDEHILL					
12	PLATFORM AND FEEDER HOUSE VARIABLE SPEED (UPPER)	H23927	1	AP1004084	4014486520453
18	COUNTERSHAFT (PRIMARY)	H108175	1	AP1001140	4014486490022
6700 S					
1		R135199	1	AP1003235	4014486482669
9500 SH					
1	AIR CONDITIONING COMPRESSOR (SN 650201 -)	H80896	1	AP1002569	4014486495331
1	AIR COND. COMPRESSOR (635201 - 648500)	H81742	1	no AP	
2	BEATER (100 PERCENT)	AH139436	2	AP1001382	4014486474978
2	BEATER DRIVE (75 PERCENT)	AH163931	2	AP1001381	4014486474961



6600 SIDEHILL RIGHT



JOHN DEERE

NR.	DRIVE	PART NUMBER	SET	AP NR.	EAN
3	CLEAN GRAIN ELEVATOR (SN 640201-)	H141167	1	AP1004088	4014486520088
4	COOLING FAN (HIGH POWER)	H153297	1	AP1001551	4014486484502
5	CYLINDER DR. REGULAR DUAL RANGE & SINGLE RANGE	H115881	1	AP1003663	4014486490817
5	CYLINDER INTERMEDIATE DRIVE BELT	H210476	1	AP1003590	4014486460629
6	ENGINE ALTERNATOR (SN 645201-)	H101813	1	AP1002580	4014486495591
6	ENGINE ALTERNATOR	H134344	1	no AP	
7	FIXED SPEED FEEDER HOUSE WITH REVERSER	H126345	1	AP1001124	4014486497106
8	HEADER & REEL PUMP (SN 635201-)	H151952	1	AP1003570	4014486497014
9	LOWER TAILINGS AUGER & ELEVATOR	N110085	1	AP1000702	4014486470857
10	OPTIONAL BEATER (75 PERCENT)	AH163931	2	AP1001381	4014486474961
11	ROTARY SCREEN (SN -642578)	H143869	1	no AP	
11	ROTARY SCREEN (SN 642579-)	H145158	1	no AP	
11	ROTARY SCREEN DRIVE (SN 642579-)	H146636	1	AP1004193	4014486558487
12	SECONDARY COUNTERSHAFT	H128010	1	AP1000797	4014486472165
13	SHOE, STRAW WALKER & CONVEYOR AUGERS	H131169	1	AP1001392	4014486475104
13	SEPARATOR FAN, SLOW SPEED	H137264	1	AP1000938	4014486473919
14	STRAW CHOPPER DRIVE, FRONT	H125380	1	AP1000791	4014486472073
14	STRAW CHOPPER DRIVE, LONG REAR	H125381	1	AP1000778	4014486471885
14	STRAW CHOPPER DRIVE, REGULAR	H140404	1	AP1001434	4014486459425
14	STRAW CHOPPER DRIVE, SHORT REAR (SN 640201-)	H23950	1	AP1000682	4014486470581
15	STRAW SPREADER	H128234	1	AP1000419	4014486466829
16	UNLOADING SYSTEM	AH158880	2	AP1002861	4014486469400
17	VARIABLE SPEED FEEDER HOUSE	H161648	1	no AP	
9510 SH					
1	AIR CONDITIONING COMPRESSOR	H80896	1	AP1002569	4014486495331
3	BEATER DRIVE (100 PERCENT)	AH139436	2	AP1001382	4014486474978
3	BEATER DRIVE (75 PERCENT)	AH163931	2	AP1001381	4014486474961
4	CHOPPER IN REAR (OPERATING) POSITION	H125381	1	AP1000778	4014486471885
4	CHOPPER IN WINDROW OR FORWARD POSITION	H23950	1	AP1000682	4014486470581
6	COOLING FAN LOW POWER	H132808	1	no AP	
7	CYLINDER DR. REGULAR DUAL RANGE & SINGLE RANGE	H115881	1	AP1003663	4014486490817
8	ENGINE ALTERNATOR	H101813	1	AP1002580	4014486495591
10	FIXED SPEED FEEDER HOUSE WITH REVERSER	H126345	1	AP1001124	4014486497106
10	FEEDER HOUSE VARIABLE SPEED	H161648	1	no AP	
11	LOWER TAILINGS AUGER & ELEVATOR	N110085	1	AP1000702	4014486470857
12	POWERSHAFT AND REEL PUMP	H151952	1	AP1003570	4014486497014
13	ROTARY SCREEN	H145158	1	no AP	
13	ROTARY SCREEN DRIVE	H146636	1	AP1004193	4014486558487
14	SECONDARY COUNTERSHAFT	H128010	1	AP1000797	4014486472165
15	SHOE, STRAW WALKER & CONVEYOR AUGERS	H131169	1	AP1001392	4014486475104
16	STRAW CHOPPER DRIVE, FRONT	H125380	1	AP1000791	4014486472073
16	STRAW CHOPPER DRIVE, REGULAR (750-1350 RPM)	H140404	1	AP1001434	4014486459425
17	STRAW SPREADER	H128234	1	AP1000419	4014486466829
19	UNLOADING SYSTEM	AH158880	2	AP1002861	4014486469400
9540(i) WTS - 9560(i) WTS - 9580(i) WTS					
5	(SUB FOR H210476)	HXE51101	1	AP1003590	4014486460629
9550 SH					
1	AIR CONDITIONING COMPRESSOR	H163515	1	AP1003209	4014486482256
2	ALTERNATOR (95 AMP)	H163515	1	AP1003209	4014486482256
2	ALTERNATOR (185 AMP)	H166870	1	AP1004090	4014486520521
3	BEATER DRIVE (100%)	AH139436	2	AP1001382	4014486474978
3	BEATER DRIVE (75%)	AH163931	2	AP1001381	4014486474961
4	CLEAN GRAIN ELEVATOR	H141166	1	AP1001394	4014486475128
5	CLEANING FAN (750 - 1350 RPM)	H152146	1	AP1001435	4014486459432



JOHN DEERE

NR.	DRIVE	PART NUMBER	SET	AP NR.	EAN
5	CLEANING FAN (490 - 980 RPM)	H152180	1	AP1001431	4014486459395
7	COUNTERSHAFT SECONDARY	H128010	1	AP1000797	4014486472165
8	CYLINDER INTERMEDIATE DRIVE BELT	H210476	1	AP1003590	4014486460629
9	CYLINDER DRIVE (240 - 960 RPM)	H115881	1	AP1003663	4014486490817
12	FEEDER HOUSE VARIABLE SPEED (STANDARD CAPACITY) (-700200)	H161648	1	no AP	
13	FIXED SPEED FEEDER HOUSE W/REVERSER (-700200)	H126345	1	AP1001124	4014486497106
13	FIXED SPEED FEEDER HOUSE W/REVERSER (700201-)	H156796	1	AP1004269	4014486683301
14	HEADER AND REEL PUMP (STANDARD)	H151952	1	AP1003570	4014486497014
15	LOWER TAILINGS AUGER & ELEVATOR	N110085	1	AP1000702	4014486470857
16	ROTARY SCREEN (-695000)	H145158	1	no AP	
16	ROTARY SCREEN (695201-)	H175632	1	AP1004469	4014486712117
16	STRAW CHOPPER, FRONT	H157726	1	AP1004928	4014486866971
17	SHOE, STRAW WALKER & CONVEYOR AUGERS	H131169	1	AP1001392	4014486475104
18	STRAW CHOPPER (STANDARD BALING)	H23950	1	AP1000682	4014486470581
19	STRAW SPREADER	H128234	1	AP1000419	4014486466829
20	UNLOADING SYSTEM	AH158880	2	AP1002861	4014486469400

9560 STS

1	CLEAN GRAIN ELEVATOR DRIVE	H218645	1	AP1001393	4014486475111
2	JACKSHAFT - RIGHT HAND (REAR)	H154723	1	AP1000738	4014486471335
3	JACKSHAFT - (FRONT) RIGHT HAND	AH202773	2	AP1002893	4014486469820
4	FEEDER ACCELERATOR - STANDARD SPEED (SERIAL NR. 715301 - ...)	H211581	1	AP1004059	4014486519815
4	FEEDER ACCELERATOR - STANDARD SPEED (SERIAL NR. ... - 715300)	H221731	1	AP1004197	4014486675504
4	FEEDER ACCELERATOR - LOW SPEED	H221732	1	AP1004130	4014486523126
5	SHOE FAN AND CONVEYOR AUGERS	H175587	1	AP1004166	4014486523003
6	CLEANING FAN DRIVE	H206048	1	AP1001426	4014486459340
6	CLEANING FAN - SLOW SPEED (SUB FOR H206049)	H211601	1	AP1001433	4014486459418
7	TAILINGS AUGER AND ELEVATOR	H154731	1	AP1000586	4014486469073
8	HEADER AND REEL PUMP (STANDARD CAPACITY)	H126345	1	AP1001124	4014486497106
8	HEADER AND REEL PUMP (HIGH CAPACITY)	H209507	1	AP1004136	4014486523621
9	FEEDER HOUSE FIXED SPEED	H126345	1	AP1001124	4014486497106
10	UNLOADING AUGER DRIVE	AH160080	2	AP1000681	4014486470550
12	DISCHARGE BEATER DRIVE	H168301	1	AP1000708	4014486470956
13	COUNTERSHAFT - DISCHARGE BEATER AND CHOPPER	H157514	1	AP1004131	4014486523133
14	STRAW CHOPPER DRIVE	H204747	1	AP1001656	4014486486100
15	FEEDER HOUSE VARIABLE DRIVE (STANDARD CAPACITY)	H201334	1	no AP	
15	FEEDER HOUSE VARIABLE DRIVE (HIGH CAPACITY)	H218726	1	no AP	
16	ROTARY SCREEN DRIVE - SCREEN SIDE	H175632	1	AP1004469	4014486712117
18	ALTERNATOR DRIVE (95 AMP)	R135606	1	AP1003191	4014486481846
18	ALTERNATOR DRIVE (185 AMP)	R135609	1	AP1003196	4014486481891

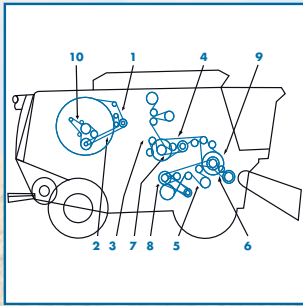
9570 STS

1	CLEAN GRAIN ELEVATOR DRIVE	H218645	1	AP1001393	4014486475111
2	JACKSHAFT - (FRONT) RIGHT HAND	AH202773	2	AP1002893	4014486469820
2	JACKSHAFT - RIGHT HAND (REAR)	H154723	1	AP1000738	4014486471335
3	FEEDER ACCELERATOR - LOW SPEED	H221732	1	AP1004130	4014486523126
3	FEEDER ACCELERATOR - STANDARD SPEED	H236472	1	AP1004059	4014486519815
4	SHOE FAN AND CONVEYOR AUGERS	H175587	1	AP1004166	4014486523003
5	CLEANING FAN DRIVE	H230909	1	AP1004058	4014486518337
6	TAILINGS AUGER AND ELEVATOR	H154731	1	AP1000586	4014486469073
7	HEADER AND REEL PUMP (STANDARD CAPACITY)	H126345	1	AP1001124	4014486497106
7	HEADER AND REEL PUMP (HIGH CAPACITY)	H209507	1	AP1004136	4014486523621
8	FEEDER HOUSE FIXED SPEED	H203474	1	AP1004057	4014486519914
9	UNLOADING AUGER DRIVE	AH160080	2	AP1000681	4014486470550
11	DISCHARGE BEATER DRIVE	H219182	1	AP1000708	4014486470956
12	COUNTERSHAFT - BEATER AND CHOPPER (STANDARD CAPACITY)	H157514	1	AP1004131	4014486523133
12	COUNTERSHAFT - BEATER AND CHOPPER (HIGH CAPACITY)	H201596	1	AP1001141	4014486519730

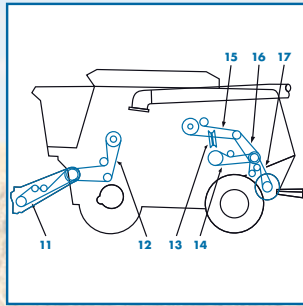


JOHN DEERE

NR.	DRIVE	PART NUMBER	SET	AP NR.	EAN
13	STRAW CHOPPER DRIVE	H204747	1	AP1001656	4014486486100
14	FEEDER HOUSE VARIABLE DRIVE (STANDARD CAPACITY)	H201334	1	no AP	
14	FEEDER HOUSE VARIABLE DRIVE (HIGH CAPACITY)	H218726	1	no AP	
15	ROTARY SCREEN DRIVE - ENGINE SIDE	H213353	1	AP1004109	4014486522846
15	ROTARY SCREEN DRIVE - SCREEN SIDE	H221273	1	AP1004112	4014486522877
16	ALTERNATOR DRIVE (200 AMP)	R521053	1	AP1001335	4014486482331
9600 MAXIMIZER					
10	STRAW CHOPPER DRIVE, FRONT - FINE CHOPPER	H157726	1	AP1004928	4014486866971
11	[490-980 RPM] OPT. SPEED	H137264	1	AP1000938	4014486473919
9610 MAXIMIZER					
9	CHOPPER FRONT (FINE CUT)	H157726	1	AP1004928	4014486866971
9640(i) WTS - 9660(i) WTS - 9680(i) WTS					
5	[SUB FOR H210476]	HXE51101	1	AP1003590	4014486460629
965 HYDRO 4					
1	REEL DRIVE	Z20562	1	AP1000753	4014486471526
2	REEL DRIVE VARIABLE SPEED	Z20459	1	AP1003583	4014486459029
3	MAIN DRIVE	Z33790	1	AP1001995	4014486491180
4	UNLOADING SYSTEM	Z33368	1	AP1000603	4014486469370
5	HYDRAULIC PUMP DRIVE	Z34828	1	AP1003397	4014486462821
6	TRACTION DRIVE	AZ22914	2	AP1001109	4014486496925
8	STRAW ELEVATOR DRIVE	Z21500	1	AP1001103	4014486496857
10	RADIATOR FAN DRIVE	Z24833	1	no AP	
11	PURIFY DRIVE	Z31283	1	AP1000038	4014486460759
12	COUNTERSHAFT - PURIFY DRIVE	Z32190	1	AP1000002	4014486458985
13	CYLINDER DRIVE	Z20823	1	AP1001507	4014486460223
14	FAN DRIVE	Z34405	1	AP1000675	4014486470475
15	SICKLE KNIFE DRIVE	Z30130	1	AP1001111	4014486496949
9650 CTS					
1	ALTERNATOR (95 AMP) (-695400)	H163515	1	AP1003209	4014486482256
1	ALTERNATOR (185 AMP) (-695400)	H166870	1	AP1004090	4014486520521
2	COUNTERSHAFT SECONDARY	H128010	1	AP1000797	4014486472165
2	CONVEYOR AUGER, SIEVE, AND CHAFFER	H131169	1	AP1001392	4014486475104
2		H165708	1	AP1001579	4014486484861
2	ALTERNATOR (185 AMP) (695401-)	R164820	1	AP1003114	4014486480641
3	COOLING FAN (695401-)	H177186	1	AP1003223	4014486482508
4	ROTARY SCREEN (-695400)	H145158	1	no AP	
5	ROTARY SCREEN (695401-)	H175632	1	AP1004469	4014486712117
6	CLEAN GRAIN ELEVATOR	H141166	1	AP1001394	4014486475128
6	ROTARY SCREEN DRIVE (695401-)	H146636	1	AP1004193	4014486558487
7	CYLINDER INTERMEDIATE DRIVE (2290 E.L.)	H210476	1	AP1003590	4014486460629
9	CYLINDER DRIVE (2830E.L.)	H115881	1	AP1003663	4014486490817
10	HEADER AND REEL PUMP (STANDARD CAPACITY)	H151952	1	AP1003570	4014486497014
10	HEADER AND REEL PUMP (HIGH CAPACITY)	H155998	1	no AP	
10	LOWER TAILINGS AUGER & ELEVATOR	N110085	1	AP1000702	4014486470857
12	CLEANING FAN (750 - 1350 RPM)	H152146	1	AP1001435	4014486459432
12	CLEANING FAN (490 - 980 RPM)	H152180	1	AP1001431	4014486459395
13	FIXED SPEED FEEDER HOUSE W/REVERSER (-700400_	H126345	1	AP1001124	4014486497106
13	FIXED SPEED FEEDER HOUSE W/REVERSER (700401-)	H156796	1	AP1004269	4014486683301
15	FEEDER HOUSE VARIABLE SPEED (STANDARD CAPACITY) (-700400)	H161648	1	no AP	
17	OVERSHOT BEATER DRIVE	H139963	1	AP1000221	4014486462852
17	OVERSHOT BEATER DRIVE (740-1170 RPM)	H165708	1	AP1001579	4014486484861
18	STRIPPER BEATER DRIVE	H165708	1	AP1001579	4014486484861



9650 STS LEFT



9650 STS RIGHT

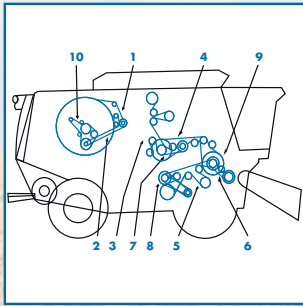
JOHN DEERE

NR.	DRIVE	PART NUMBER	SET	AP NR.	EAN
19	UNLOADING SYSTEM	AH158880	2	AP1002861	4014486469400
9650 STS					
1	ROTARY SCREEN DRIVE	H206807	1	AP1002434	4014486493122
2	ROTARY SCREEN DRIVE	H157104	1	AP1002437	4014486493153
3	ELEVATOR DRIVE GRAIN	H158512	1	AP1000853	4014486472844
4	JACKSHAFT - RIGHT HAND (REAR)	H154723	1	AP1000738	4014486471335
5	SHOE FAN AND CONVEYOR AUGERS	H175587	1	AP1004166	4014486523003
7	TAILINGS AUGER AND ELEVATOR	H154731	1	AP1000586	4014486469073
8	CLEANING FAN DRIVE	H165072	1	AP1001425	4014486459326
9	JACKSHAFT RIGHT HAND	AH150678	2	AP1002892	4014486470192
10	ALTERNATOR DRIVE 95 AMP	R135606	1	AP1003191	4014486481846
12	HEADER AND REEL PUMP	H156541	1	AP1001785	4014486519662
14	DISCHARGE BEATER DRIVE	H168301	1	AP1000708	4014486470956
15	UNLOADING AUGER DRIVE	AH160080	2	AP1000681	4014486470550
16	COUNTERSHAFT - BEATER AND CHOPPER	H157514	1	AP1004131	4014486523133
17	STRAW CHOPPER DRIVE	H204747	1	AP1001656	4014486486100
9660 - NA EDITION					
7	FEEDERHOUSE FIXED SPEED W/ REVERSER	H203473	1	AP1004929	4014486866988
11	STRAW CHOPPER (FRONT)	H157726	1	AP1004928	4014486866971
9660 STS					
1	CLEAN GRAIN ELEVATOR	H218645	1	AP1001393	4014486475111
1	CLEAN GRAIN ELEVATOR DRIVE	H218645	1	AP1001393	4014486475111
2	R.H. JACKSHAFT, FRONT	AH150678	2	AP1002892	4014486470192
2	JACKSHAFT - RIGHT HAND (REAR)	H154723	1	AP1000738	4014486471335
2	R.H. JACKSHAFT, REAR	H154723	1	AP1000738	4014486471335
3	JACKSHAFT - (FRONT) RIGHT HAND	AH150678	2	AP1002892	4014486470192
3	FEED ACCELERATOR, STANDARD SPEED -715400	H221731	1	AP1004197	4014486675504
3	FEED ACCELERATOR, SLOW SPEED	H221732	1	AP1004130	4014486523126
3	FEED ACCELERATOR, STANDARD SPEED 715401-	H236472	1	AP1004059	4014486519815
4	SHOE FAN AND CONVEYOR AUGERS	H175587	1	AP1004166	4014486523003
4	FEEDER ACCELERATOR - STANDARD SPEED (SERIAL NR. 715301 - ...)	H211581	1	AP1004059	4014486519815
4	FEEDER ACCELERATOR - STANDARD SPEED (SERIAL NR. ... - 715300)	H221731	1	AP1004197	4014486675504
4	FEEDER ACCELERATOR - LOW SPEED	H221732	1	AP1004130	4014486523126
5		H175587	1	AP1004166	4014486523003
5	CLEANING FAN	H206048	1	AP1001426	4014486459340
5	CLEANING FAN, SLOW SPEED	H211601	1	AP1001433	4014486459418
6	TAILINGS AUGER AND ELEVATOR	H154731	1	AP1000586	4014486469073
6	CLEANING FAN DRIVE	H206048	1	AP1001426	4014486459340
6	CLEANING FAN - SLOW SPEED	H211601	1	AP1001433	4014486459418
7		H154731	1	AP1000586	4014486469073
7	HEADER AND REEL PUMP, HIGH CAPACITY	H156541	1	AP1001785	4014486519662
7	HEADER AND REEL PUMP, STANDARD CAPACITY	H156796	1	AP1004269	4014486683301
8	UNLOADING AUGER SYSTEM	AH160080	2	AP1000681	4014486470550
8	HEADER AND REEL PUMP (HIGH CAPACITY)	H156541	1	AP1001785	4014486519662
8	HEADER AND REEL PUMP (STANDARD CAPACITY)	H156796	1	AP1004269	4014486683301
9	FEEDER HOUSE FIXED SPEED	H203474	1	AP1004057	4014486519914
10	UNLOADING AUGER DRIVE	AH160080	2	AP1000681	4014486470550
10	DISCHARGE BEATER	H219182	1	AP1000708	4014486470956
12	DISCHARGE BEATER DRIVE	H168301	1	AP1000708	4014486470956
12	STRAW CHOPPER	H235564	1	AP1001656	4014486486100
13	COUNTERSHAFT - DISCHARGE BEATER AND CHOPPER	H157514	1	AP1004131	4014486523133
13	VARIABLE DRIVE FEEDER HOUSE, STANDARD CAPACITY	H201334	1	no AP	
13	VARIABLE DRIVE FEEDER HOUSE, HIGH CAPACITY	H218726	1	no AP	
13	VARIABLE DRIVE FEEDER HOUSE, HIGH CAPACITY (HIGH TORQUE)	H220911	1	no AP	

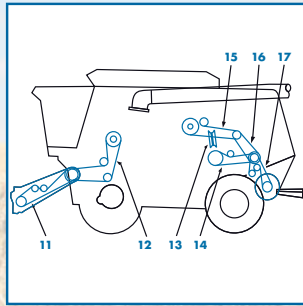


JOHN DEERE

NR.	DRIVE	PART NUMBER	SET	AP NR.	EAN
14	FIXED SPEED FEEDER HOUSE	H203474	1	AP1004057	4014486519914
14	STRAW CHOPPER DRIVE	H204747	1	AP1001656	4014486486100
15	ROTARY SCREEN DRIVE, SCREEN SIDE -715400	H175628	1	AP1000180	4014486462098
15	FEEDER HOUSE VARIABLE DRIVE (STANDARD CAPACITY)	H201334	1	no AP	
15	ROTARY SCREEN DRIVE, ENGINE SIDE -715400	H206807	1	AP1002434	4014486493122
15	ROTARY SCREEN DRIVE, ENGINE SIDE 715401-	H213353	1	AP1004109	4014486522846
15	FEEDER HOUSE VARIABLE DRIVE (HIGH CAPACITY)	H218726	1	no AP	
16	ALTERNATOR, 200 AMP	AT262958	1	AP1003799	4014486482553
16	ROTARY SCREEN DRIVE - SCREEN SIDE	H175632	1	AP1004469	4014486712117
16	ALTERNATOR, 95 AMP	R135606	1	AP1003191	4014486481846
16	ALTERNATOR, 185 AMP	R135609	1	AP1003196	4014486481891
17	ROTARY SCREEN DRIVE - ENGINE SIDE	H206807	1	AP1002434	4014486493122
18	ALTERNATOR DRIVE (95 AMP)	R135606	1	AP1003191	4014486481846
18	ALTERNATOR DRIVE (185 AMP)	R135609	1	AP1003196	4014486481891
9670 STS					
1	CLEAN GRAIN ELEVATOR	H218645	1	AP1001393	4014486475111
1	CLEAN GRAIN ELEVATOR DRIVE	H218645	1	AP1001393	4014486475111
2	JACKSHAFT - (FRONT) RIGHT HAND	AH150678	2	AP1002892	4014486470192
2	R.H. JACKSHAFT, FRONT	AH150678	2	AP1002892	4014486470192
2	JACKSHAFT - RIGHT HAND (REAR)	H154723	1	AP1000738	4014486471335
2	R.H. JACKSHAFT, REAR	H154723	1	AP1000738	4014486471335
3	SHOE FAN AND CONVEYOR AUGERS	H175587	1	AP1004166	4014486523003
3	FEED ACCELERATOR, SLOW SPEED	H221732	1	AP1004130	4014486523126
3	FEEDER ACCELERATOR - LOW SPEED	H221732	1	AP1004130	4014486523126
3	FEED ACCELERATOR, STANDARD SPEED	H236472	1	AP1004059	4014486519815
3	FEEDER ACCELERATOR - STANDARD SPEED	H236472	1	AP1004059	4014486519815
4		H175587	1	AP1004166	4014486523003
4	CLEANING FAN	H206048	1	AP1001426	4014486459340
5	TAILINGS AUGER AND ELEVATOR	H154731	1	AP1000586	4014486469073
5	CLEANING FAN DRIVE	H206048	1	AP1001426	4014486459340
6		H154731	1	AP1000586	4014486469073
6	HEADER AND REEL PUMP (FIXED SPEED)	H156796	1	AP1004269	4014486683301
7	HEADER AND REEL PUMP (VARIABLE CAPACITY)	H156541	1	AP1001785	4014486519662
7	HEADER AND REEL PUMP (VARIABLE SPEED)	H156541	1	AP1001785	4014486519662
7	HEADER AND REEL PUMP (FIXED CAPACITY)	H156796	1	AP1004269	4014486683301
7	HEADER AND REEL (MULTI SPEED FEEDER HOUSE DRIVE)	H229018	1	AP1004145	4014486523652
8	UNLOADING AUGER SYSTEM	AH160080	2	AP1000681	4014486470550
8	FEEDER HOUSE FIXED SPEED	H203474	1	AP1004057	4014486519914
8	FEEDER HOUSE FIXED SPEED (EXTRA HEAVY DUTY)	H229019	1	AP1004144	4014486523645
9	UNLOADING AUGER DRIVE	AH160080	2	AP1000681	4014486470550
10	DISCHARGE BEATER	H219182	1	AP1000708	4014486470956
11	DISCHARGE BEATER DRIVE	H168301	1	AP1000708	4014486470956
12	COUNTERSHAFT - BEATER AND CHOPPER (STANDARD CAPACITY)	H157514	1	AP1004131	4014486523133
12	COUNTERSHAFT - BEATER AND CHOPPER (HIGH CAPACITY)	H223384	1	AP1004142	4014486523225
12	COUNTERSHAFT, DISCHARGE BEATER AND CHOPPER (REGULAR)	HXE10556	1	AP1004133	4014486523157
13	STRAW CHOPPER (CIS)	H204747	1	AP1001656	4014486486100
13	STRAW CHOPPER	H232997	1	AP1001606	4014486485325
13	STRAW CHOPPER DRIVE	H232997	1	AP1001606	4014486485325
13	STRAW CHOPPER (CIS)	H235564	1	AP1001656	4014486486100
13	COUNTERSHAFT, DISCHARGE BEATER AND CHOPPER (HEAVY DUTY)	HXE10501	1	AP1004142	4014486523225
14	FEEDER HOUSE VARIABLE DRIVE	H218726	1	no AP	
14	VARIABLE SPEED FEEDER HOUSE DRIVE	H218726	1	no AP	
14	FEEDER HOUSE VARIABLE DRIVE (EXTRA HEAVY DUTY)	H220911	1	no AP	
15	FIXED SPEED FEEDER HOUSE	H203474	1	AP1004057	4014486519914
15	ROTARY SCREEN DRIVE - ENGINE SIDE	H213353	1	AP1004109	4014486522846
15	VARIABLE SPEED FEEDER HOUSE DRIVE (HIGH SPEED)	H220911	1	no AP	



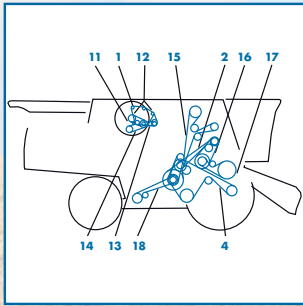
9750 STS LEFT



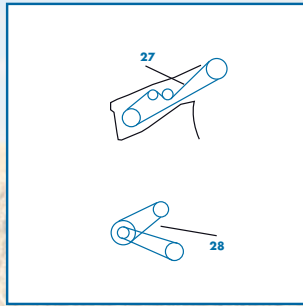
9750 STS RIGHT

JOHN DEERE

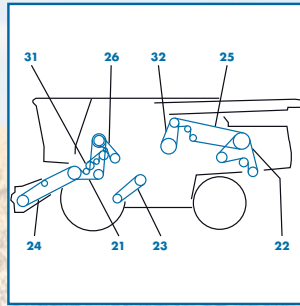
NR.	DRIVE	PART NUMBER	SET	AP NR.	EAN
15	ROTARY SCREEN DRIVE - SCREEN SIDE	H221273	1	AP1004112	4014486522877
15	ROTARY SCREEN DRIVE, SCREEN SIDE	H221273	1	AP1004112	4014486522877
15	FIXED SPEED FEEDER HOUSE (MULTI SPEED FEEDER HOUSE DRIVE)	H229019	1	AP1004144	4014486523645
16	ALTERNATOR DRIVE (200 AMP)	AT262958	1	AP1003799	4014486482553
16	ALTERNATOR, 200 AMP	AT262958	1	AP1003799	4014486482553
16	ROTARY SCREEN DRIVE, ENGINE SIDE	H213353	1	AP1004109	4014486522846
9750 STS					
1	ROTARY SCREEN DRIVE	H206807	1	AP1002434	4014486493122
2	ROTARY SCREEN DRIVE	H157104	1	AP1002437	4014486493153
3	ELEVATOR DRIVE GRAIN	H158512	1	AP1000853	4014486472844
4	JACKSHAFT - RIGHT HAND (REAR)	H154723	1	AP1000738	4014486471335
5	SHOE FAN AND CONVEYOR AUGERS	H175587	1	AP1004166	4014486523003
7	TAILINGS AUGER AND ELEVATOR	H154731	1	AP1000586	4014486469073
8	CLEANING FAN DRIVE	H165072	1	AP1001425	4014486459326
9	JACKSHAFT RIGHT HAND	AH150678	2	AP1002892	4014486470192
10	ALTERNATOR DRIVE 95 AMP	R135606	1	AP1003191	4014486481846
12	HEADER AND REEL PUMP	H156541	1	AP1001785	4014486519662
14	DISCHARGE BEATER DRIVE	H168301	1	AP1000708	4014486470956
15	UNLOADING AUGER DRIVE	AH160080	2	AP1000681	4014486470550
16	COUNTERSHAFT - BEATER AND CHOPPER	H157514	1	AP1004131	4014486523133
17	STRAW CHOPPER DRIVE	H204747	1	AP1001656	4014486486100
9760 STS					
1	CLEAN GRAIN ELEVATOR DRIVE	H218645	1	AP1001393	4014486475111
2	JACKSHAFT - RIGHT HAND (REAR)	H154723	1	AP1000738	4014486471335
3	JACKSHAFT - (FRONT) RIGHT HAND	AH150678	2	AP1002892	4014486470192
4	FEEDER ACCELERATOR - STANDARD SPEED (SERIAL NR. 715301 - ...)	H211581	1	AP1004059	4014486519815
4	FEEDER ACCELERATOR - STANDARD SPEED (SERIAL NR. ... - 715301)	H221731	1	AP1004197	4014486675504
4	FEEDER ACCELERATOR - LOW SPEED	H221732	1	AP1004130	4014486523126
5	SHOE FAN AND CONVEYOR AUGERS	H175587	1	AP1004166	4014486523003
6	CLEANING FAN DRIVE	H206048	1	AP1001426	4014486459340
6	CLEANING FAN - SLOW SPEED	H211601	1	AP1001433	4014486459418
7	TAILINGS AUGER AND ELEVATOR	H154731	1	AP1000586	4014486469073
8	HEADER AND REEL PUMP (HIGH CAPACITY)	H156541	1	AP1001785	4014486519662
8	HEADER AND REEL PUMP (STANDARD CAPACITY)	H156796	1	AP1004269	4014486683301
9	FEEDER HOUSE FIXED SPEED	H203474	1	AP1004057	4014486519914
10	UNLOADING AUGER DRIVE	AH160080	2	AP1000681	4014486470550
12	DISCHARGE BEATER DRIVE	H168301	1	AP1000708	4014486470956
13	COUNTERSHAFT - DISCHARGE BEATER AND CHOPPER	H157514	1	AP1004131	4014486523133
14	STRAW CHOPPER DRIVE	H204747	1	AP1001656	4014486486100
15	FEEDER HOUSE VARIABLE DRIVE (HIGH CAPACITY)	H218726	1	no AP	
16	ROTARY SCREEN DRIVE - SCREEN SIDE	H175632	1	AP1004469	4014486712117
17	ROTARY SCREEN DRIVE - ENGINE SIDE	H206807	1	AP1002434	4014486493122
18	ALTERNATOR DRIVE (95 AMP)	R135606	1	AP1003191	4014486481846
18	ALTERNATOR DRIVE (185 AMP)	R135609	1	AP1003196	4014486481891
9770 STS					
1	CLEAN GRAIN ELEVATOR DRIVE	H218645	1	AP1001393	4014486475111
2	JACKSHAFT - (FRONT) RIGHT HAND	AH150678	2	AP1002892	4014486470192
2	JACKSHAFT - RIGHT HAND (REAR)	H154723	1	AP1000738	4014486471335
3	FEEDER ACCELERATOR - LOW SPEED	H221732	1	AP1004130	4014486523126
3	FEEDER ACCELERATOR - STANDARD SPEED	H236472	1	AP1004059	4014486519815
4	SHOE FAN AND CONVEYOR AUGERS	H175587	1	AP1004166	4014486523003
5	CLEANING FAN DRIVE	H206048	1	AP1001426	4014486459340
6	TAILINGS AUGER AND ELEVATOR	H154731	1	AP1000586	4014486469073
7	HEADER AND REEL PUMP (VARIABLE CAPACITY)	H156541	1	AP1001785	4014486519662



CTS LEFT



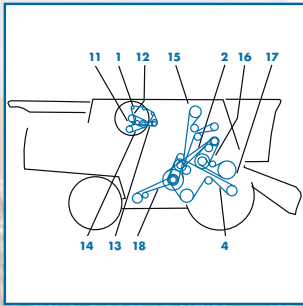
CTS MIDDLE



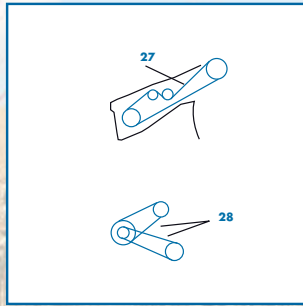
CTS RIGHT

JOHN DEERE

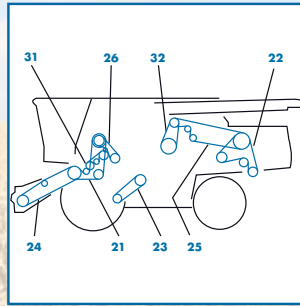
NR.	DRIVE	PART NUMBER	SET	AP NR.	EAN
9860 STS					
1	HEADER AND REEL PUMP (HIGH CAPACITY)	H156541	1	AP1001785	4014486519662
1	HEADER AND REEL PUMP (STANDARD CAPACITY)	H156796	1	AP1004269	4014486683301
2	FEEDER HOUSE FIXED SPEED (EXTRA HEAVY DUTY)	H174885	1	AP1001777	4014486519631
2	FEEDER HOUSE FIXED SPEED	H203474	1	AP1004057	4014486519914
3	UNLOADING AUGER DRIVE	AH160080	2	AP1000681	4014486470550
4	VARIATOR ROTOR DRIVE (SERIAL NR. ...705797)	H207851	1	no AP	
4	VARIATOR ROTOR DRIVE (SERIAL NR. 705798-...)	H208431	1	no AP	
5	DISCHARGE BEATER DRIVE	H168301	1	AP1000708	4014486470956
6	COUNTERSHAFT - DISCHARGE BEATER AND CHOPPER	H201596	1	AP1001141	4014486519730
7	STRAW CHOPPER DRIVE	H217352	1	AP1001772	4014486519617
8	FEEDER HOUSE VARIABLE DRIVE	H218726	1	no AP	
9	CLEAN GRAIN ELEVATOR DRIVE	H218645	1	AP1001393	4014486475111
10	JACKSHAFT - RIGHT HAND (REAR)	H154723	1	AP1000738	4014486471335
11	JACKSHAFT - (FRONT) RIGHT HAND	AH150678	2	AP1002892	4014486470192
12	FEEDER ACCELERATOR - STANDARD SPEED (SERIAL NR. 715301-...)	H211581	1	AP1004059	4014486519815
12	FEEDER ACCELERATOR - STANDARD SPEED (SERIAL NR. ...715300)	H221731	1	AP1004197	4014486675504
12	FEEDER ACCELERATOR - LOW SPEED	H221732	1	AP1004130	4014486523126
13	CLEANING FAN DRIVE	H206048	1	AP1001426	4014486459340
13	CLEANING FAN - SLOW SPEED	H211601	1	AP1001433	4014486459418
14	TAILINGS AUGER AND ELEVATOR	H154731	1	AP1000586	4014486469073
9870 STS					
1	CLEAN GRAIN ELEVATOR DRIVE	H223230	1	AP1004137	4014486523416
2	JACKSHAFT - (FRONT) RIGHT HAND	AH150678	2	AP1002892	4014486470192
2	JACKSHAFT - RIGHT HAND (REAR)	H154723	1	AP1000738	4014486471335
3	FEEDER ACCELERATOR - LOW SPEED	H221732	1	AP1004130	4014486523126
3	FEEDER ACCELERATOR - HIGH SPEED (SERIAL NR. 730101-...)	H230230	1	AP1004138	4014486523263
3	FEEDER ACCELERATOR - STANDARD SPEED	H236472	1	AP1004059	4014486519815
4	SHOE FAN AND CONVEYOR AUGERS	H175587	1	AP1004166	4014486523003
5	CLEANING FAN DRIVE	H230909	1	AP1004058	4014486518337
6	TAILINGS AUGER AND ELEVATOR	H154731	1	AP1000586	4014486469073
7	HEADER AND REEL PUMP	H156541	1	AP1001785	4014486519662
7	HEADER AND REEL PUMP (MULTI SPEED FEEDER HOUSE DRIVE)	H229018	1	AP1004145	4014486523652
8	FEEDER HOUSE FIXED SPEED (EXTRA HEAVY DUTY)	H174885	1	AP1001777	4014486519631
8	FEEDER HOUSE VARIABLE DRIVE	H229019	1	AP1004144	4014486523645
9	UNLOADING AUGER DRIVE	AH160080	2	AP1000681	4014486470550
10	ROTOR VARIATOR DRIVE	H208431	1	no AP	
11	DISCHARGE BEATER DRIVE (CIS)	H168301	1	AP1000708	4014486470956
11	DISCHARGE BEATER DRIVE	H219182	1	AP1000708	4014486470956
12	COUNTERSHAFT - BEATER AND CHOPPER (CIS)	H157514	1	AP1004131	4014486523133
12	COUNTERSHAFT - BEATER AND CHOPPER (HEAVY DUTY)	H223384	1	AP1004142	4014486523225
12	COUNTERSHAFT - BEATER AND CHOPPER (STANDARD CAPACITY)	H223385	1	AP1004133	4014486523157
13	STRAW CHOPPER (CIS)	H204747	1	AP1001656	4014486486100
13	STRAW CHOPPER DRIVE	H223212	1	AP1004134	4014486523164
14	ROTARY SCREEN DRIVE - ENGINE SIDE	H213353	1	AP1004109	4014486522846
14	ROTARY SCREEN DRIVE - SCREEN SIDE	H221273	1	AP1004112	4014486522877
15	ALTERNATOR DRIVE	R503505	1	AP1003207	4014486482171
16	ENGINE FAN DRIVE	R503312	1	AP1002614	4014486484182
CTS					
1	ALTERNATOR DRIVE	H101813	1	AP1002580	4014486495591
2	COUNTERSHAFT (SECONDARY)	H128010	1	AP1000797	4014486472165
4	STRAW WALKER - CONVEYOR AUGERS	H131169	1	AP1001392	4014486475104
11	COOLING FAN	H153297	1	AP1001551	4014486484502
12	COOLING FAN	H145158	1	no AP	



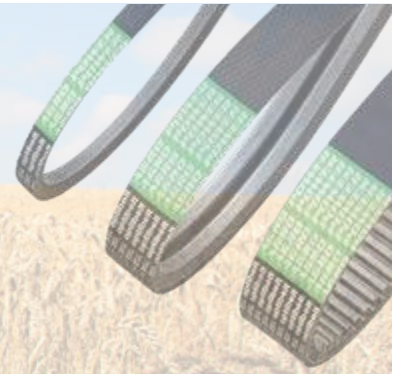
CTS 2 LEFT



CTS 2 MIDDLE



CTS 2 RIGHT



JOHN DEERE

NR.	DRIVE	PART NUMBER	SET	AP NR.	EAN
13	ROTARY SCREEN DRIVE	H134216	1	no AP	
13	ROTARY SCREEN DRIVE	H146636	1	AP1004193	4014486558487
14	AIR CONDITIONING COMPRESSOR DRIVE	H134437	1	no AP	
15	CLEANING ELEVATOR (GRAIN)	H141167	1	AP1004088	4014486520088
16	CYLINDER DRIVE INTERMEDIATE	H115759	1	AP1003590	4014486460629
16	CYLINDER DRIVE INTERMEDIATE	H162629	1	AP1003590	4014486460629
17	CYLINDER DRIVE	H115881	1	AP1003663	4014486490817
18	TAILINGS AUGER AND ELEVATOR (LOWER)	N110085	1	AP1000702	4014486470857
21	EQUIPMENT FRONT END	H140160	1	AP1003570	4014486497014
23	FAN DRIVE REGULAR (N=750-1350 RPM)	H140404	1	AP1001434	4014486459425
23	SLOW SPEED (N=490-980 RPM)	H137264	1	AP1000938	4014486473919
24	DRUM DRIVE VARIABLE SPEED	H125711	1	no AP	
25	SEPARATOR DRIVE	H141429	1	AP1001149	4014486519792
27	FEEDER HOUSE FIXED SPEED	H126345	1	AP1001124	4014486497106
31	STRIPPER BEATER	H139963	1	AP1000221	4014486462852
32	UNLOADING SYSTEM	AH127866	2	AP1005145	4044978203472
CTS 2					
1	ALTERNATOR DRIVE	H163515	1	AP1003209	4014486482256
2	COUNTERSHAFT (SECONDARY)	H128010	1	AP1000797	4014486472165
4	STRAW WALKER - CONVEYOR AUGERS	H131169	1	AP1001392	4014486475104
6		H145158	1	no AP	
8	AIR CONDITIONING COMPRESSOR DRIVE	H134437	1	no AP	
10	CYLINDER DRIVE INTERMEDIATE	H162629	1	AP1003590	4014486460629
11	CYLINDER DRIVE	H115881	1	AP1003663	4014486490817
13	STRIPPER BEATER	H139963	1	AP1000221	4014486462852
14	UNLOADING SYSTEM	AH127866	2	AP1005145	4044978203472
15	EQUIPMENT FRONT END	H151952	1	AP1003570	4014486497014
16	STRAW CHOPPER (FRONT)	H162541	1	AP1001774	4014486519624
17	FAN DRIVE REGULAR (N=750-1350 RPM)	H152146	1	AP1001435	4014486459432
17	SLOW SPEED (N=490-980 RPM) OPTIONAL	H152180	1	AP1001431	4014486459395
18	DRUM DRIVE VARIABLE SPEED	H161648	1	no AP	
19	SEPARATOR DRIVE	H141429	1	AP1001149	4014486519792
21	FEEDER HOUSE FIXED SPEED	H126345	1	AP1001124	4014486497106
S 550					
12	E-CLUTCH TO FEEDER HOUSE (HEAVY DUTY)	HXE16927	1	AP1005298	
S 680					
6	FEED ACCELERATOR - HIGH SPEED - HIGH CAPACITY - 520/1000 RPM	HXE54503	1	AP1004138	4014486523263
S 690					
1		H218645	1	AP1001393	4014486475111
2		H154723	1	AP1000738	4014486471335
3		AH150678	2	AP1002892	4014486470192
4	SLOW SPEED	H221732	1	AP1004130	4014486523126
5		H175587	1	AP1004166	4014486523003
6		H230909	1	AP1004058	4014486518337
6	FEED ACCELERATOR - HIGH SPEED - HIGH CAPACITY - 520/1000 RPM	HXE54503	1	AP1004138	4014486523263
8		H154731	1	AP1000586	4014486469073
9		H156541	1	AP1001785	4014486519662
9		H229018	1	AP1004145	4014486523652
11		AH160080	2	AP1000681	4014486470550
12		H208431	1	no AP	
13		H219182	1	AP1000708	4014486470956
14		H228347	1	AP1004149	4014486523669
15		H228346	1	AP1004143	4014486523638



JOHN DEERE

NR.	DRIVE	PART NUMBER	SET	AP NR.	EAN
16		H174885	1	AP1001777	4014486519631
16		H229019	1	AP1004144	4014486523645
T 550					
1		H175628	1	AP1000180	4014486462098
2		H174455	1	AP1003217	4014486482454
3		H146636	1	AP1004193	4014486558487
4		Z59557	1	AP1001388	4014486475043
5		H141166	1	AP1001394	4014486475128
6		H128010	1	AP1000797	4014486472165
7		H115881	1	AP1003663	4014486490817
8		H176766	1	AP1001756	4014486519556
8	FOR HILLMASTER ONLY	H202821	1	AP1001759	4014486519563
9		Z103844	1	AP1001815	4014486488302
10	FOR N=450 RPM - 3 GROOVES	Z103844	1	AP1001815	4014486488302
10	FOR N=900 RPM - 2 GROOVES	Z103845	1	AP1001571	4014486484748
11		H139963	1	AP1000221	4014486462852
12	HEAVY DUTY VERSION	H176765	1	AP1001789	4014486519686
12		H177383	1	AP1001128	4014486497144
13		H152146	1	AP1001435	4014486459432
14		AH158880	2	AP1002861	4014486469400
15		H177177	1	AP1001905	4014486489668
16	FOR CORN	H177178	1	AP1001913	4014486489767
17		Z59286	1	AP1001911	4014486489736
T 560					
1		H175628	1	AP1000180	4014486462098
2		H174455	1	AP1003217	4014486482454
3		H146636	1	AP1004193	4014486558487
4		Z59557	1	AP1001388	4014486475043
5		H141166	1	AP1001394	4014486475128
6		H128010	1	AP1000797	4014486472165
7		H115881	1	AP1003663	4014486490817
8		H176766	1	AP1001756	4014486519556
8	FOR HILLMASTER ONLY	H202821	1	AP1001759	4014486519563
9		Z103844	1	AP1001815	4014486488302
10	FOR N=450 RPM - 3 GROOVES	Z103844	1	AP1001815	4014486488302
10	FOR N=900 RPM - 2 GROOVES	Z103845	1	AP1001571	4014486484748
11		H139963	1	AP1000221	4014486462852
12	HEAVY DUTY VERSION	H176765	1	AP1001789	4014486519686
12		H177383	1	AP1001128	4014486497144
13		H152146	1	AP1001435	4014486459432
14		AH158880	2	AP1002861	4014486469400
15		H177177	1	AP1001905	4014486489668
16	FOR CORN	H177178	1	AP1001913	4014486489767
17		Z59286	1	AP1001911	4014486489736
T 660					
1		H175628	1	AP1000180	4014486462098
2		H174455	1	AP1003217	4014486482454
3		H146636	1	AP1004193	4014486558487
4		Z59557	1	AP1001388	4014486475043
5		H141166	1	AP1001394	4014486475128
6		H128010	1	AP1000797	4014486472165
7		H115881	1	AP1003663	4014486490817
8		H176766	1	AP1001756	4014486519556
8	FOR HILLMASTER ONLY	H202821	1	AP1001759	4014486519563



JOHN DEERE

NR.	DRIVE	PART NUMBER	SET	AP NR.	EAN
9		Z103844	1	AP1001815	4014486488302
10	FOR N=450 RPM - 3 GROOVES	Z103844	1	AP1001815	4014486488302
10	FOR N=900 RPM - 2 GROOVES	Z103845	1	AP1001571	4014486484748
11		H139963	1	AP1000221	4014486462852
12		H176765	1	AP1001789	4014486519686
13		H152146	1	AP1001435	4014486459432
14		AH158880	2	AP1002861	4014486469400
15		H177177	1	AP1001905	4014486489668
16	FOR CORN	H177178	1	AP1001913	4014486489767
17		Z59286	1	AP1001911	4014486489736

T 670					
1		H175628	1	AP1000180	4014486462098
2		H174455	1	AP1003217	4014486482454
3		H146636	1	AP1004193	4014486558487
4		Z59557	1	AP1001388	4014486475043
5		H141166	1	AP1001394	4014486475128
6		H128010	1	AP1000797	4014486472165
7		H115881	1	AP1003663	4014486490817
8		H176766	1	AP1001756	4014486519556
8	FOR HILLMASTER ONLY	H202821	1	AP1001759	4014486519563
9		Z103844	1	AP1001815	4014486488302
10	FOR N=450 RPM - 3 GROOVES	Z103844	1	AP1001815	4014486488302
10	FOR N=900 RPM - 2 GROOVES	Z103845	1	AP1001571	4014486484748
11		H139963	1	AP1000221	4014486462852
12		H176765	1	AP1001789	4014486519686
13		H152146	1	AP1001435	4014486459432
14		AH158880	2	AP1002861	4014486469400
15		H177177	1	AP1001905	4014486489668
16	FOR CORN	H177178	1	AP1001913	4014486489767
17		Z59286	1	AP1001911	4014486489736

W540					
3		HXE51101	1	AP1003590	4014486460629
10		HXE51101	1	AP1003590	4014486460629

AG - BI
 CA - CL
 DE - DR
 FE - FO
 GL - GR
 IN - JO
 KP - KZ
 LA - ME
 NE - RO
 SA - ST
 VA - ZM
 PARTS
 SERVICE



JOHN DEERE - TURF N CARE

NR.	DRIVE	PART NUMBER	SET	AP NR.	EAN
737 Z-Trak AC Gas Engine W/54"					
	MOWER DECK	TCU12829	1	AP1003102	4014486480337
737 Z-Trak AC Gas Engine W/54IN					
	MOWER DECK	TCU16026	1	AP1003104	4014486519303
737 Z-Trak AC Gas Engine W/60"					
	MOWER DECK	TCU12829	1	AP1003102	4014486480337
737 Z-Trak AC Gas Engine W/60IN					
	MOWER DECK	TCU16026	1	AP1003104	4014486519303
757 Z-Trak AC Gas Engine W/54					
	Mower Deck	TCU12829	1	AP1003102	4014486480337
757 Z-Trak AC Gas Engine W/54IN					
	Mower Deck	TCU16026	1	AP1003104	4014486519303
757 Z-Trak AC Gas Engine W/60					
	Mower Deck	TCU12829	1	AP1003102	4014486480337
757 Z-Trak AC Gas Engine W/60IN					
	Mower Deck	TCU16026	1	AP1003104	4014486519303
777 Z-TRAK					
	MOWER DECK	TCU16841	1	AP1003107	4014486519310
	MOWER DECK	TCU16841	1	AP1003107	4014486519310
	MULCH ON DEMAND DECK	TCU16841	1	AP1003107	4014486519310
777 Z-TRAK W/60IN					
	MOWER DECK	TCU16026	1	AP1003104	4014486519303
	MULCH ON DEMAND DECK	TCU16026	1	AP1003104	4014486519303
777 Z-TRAK W/72IN					
	MOWER DECK	TCU16026	1	AP1003104	4014486519303
797 Z-TRAK					
	MOWER DECK	TCU16841	1	AP1003107	4014486519310
	MOWER DECK	TCU16841	1	AP1003107	4014486519310
797 Z-TRAK W/60IN					
	MOWER DECK	TCU16026	1	AP1003104	4014486519303
797 Z-TRAK W/72IN					
	MOWER DECK	TCU16026	1	AP1003104	4014486519303
MCS SYSTEM FOR Z-TRAK					
	(14 BUSHEL)	TCU16841	1	AP1003107	4014486519310
	(14 BUSHEL)	TCU16841	1	AP1003107	4014486519310
MCS System For Z-Trak					
		TCU16026	1	AP1003104	4014486519303
	(14 BUSHEL)	TCU16026	1	AP1003104	4014486519303
	(14 BUSHEL)	TCU16026	1	AP1003104	4014486519303



JOHN DEERE - TURF N CARE

NR.	DRIVE	PART NUMBER	SET	AP NR.	EAN
MCS System for ZTrak W/54"					
	DECK (14 Bushel)	TCU12829	1	AP1003102	4014486480337
MCS System For Z-Trak W/54"					
	DECK (14 Bushel)	TCU12829	1	AP1003102	4014486480337
	DECK (8 Bushel)	TCU12829	1	AP1003102	4014486480337
MCS System for ZTrak W/54IN					
	DECK (14 Bushel)	TCU16026	1	AP1003104	4014486519303
MCS System For Z-Trak W/54IN					
	DECK (14 Bushel)	TCU16026	1	AP1003104	4014486519303
	DECK (8 Bushel)	TCU16026	1	AP1003104	4014486519303
MCS System for Ztrak W/60"					
	DECK (14 Bushel)	TCU12829	1	AP1003102	4014486480337
MCS System For Z-Trak W/60"					
	DECK (14 Bushel)	TCU12829	1	AP1003102	4014486480337
	DECK (8 Bushel)	TCU12829	1	AP1003102	4014486480337
	DECK (8 Bushel)	TCU12829	1	AP1003102	4014486480337
MCS System for Ztrak W/60IN					
	DECK (14 Bushel)	TCU16026	1	AP1003104	4014486519303
MCS System For Z-Trak W/60IN					
	MOWER DECK	TCU12829	1	AP1003102	4014486480337
	DECK (14 Bushel)	TCU16026	1	AP1003104	4014486519303
	DECK (8 Bushel)	TCU16026	1	AP1003104	4014486519303
	DECK (8 Bushel)	TCU16026	1	AP1003104	4014486519303
Mulch On Demand Deck Option for ZTrak W/60IN					
	DECK	TCU16026	1	AP1003104	4014486519303
Mulch On Demand Deck Option For Z-Trak W/60IN					
	DECK	TCU16026	1	AP1003104	4014486519303
Mulch On Demand Deck W/60"					
	DECK	TCU12829	1	AP1003102	4014486480337
	DECK	TCU12829	1	AP1003102	4014486480337
V-FLEX 7-IRON					
	MOWER DECK (FOR 1400 & 1500 SERIES FRONT MOWERS)	TCU13749	1	AP1003103	4014486480306



KRONE

NR.	DRIVE	PART NUMBER	SET	AP NR.	EAN
		2133350	1	AP1004682	4014486719772
		2150791	1	AP1001331	4014486492958
		2211880	1	AP1003730	4014486495287
		2240410	1	AP1003664	4014486490831
		2266930	1	AP1001333	4014486492972
		2279090	1	AP1001332	4014486492965
		2279091	1	AP1001332	4014486492965
		2279251	1	AP1003354	4014486490763
		2282321	1	AP1003722	4014486494990
		2282340	1	AP1002584	4014486495706
		2282350	1	AP1002601	4014486496086
		2282360	2	AP1002149	4014486476651
		2282430	1	AP1002353	4014486478860
		9215002	4	AP1004083	4014486476972
		9215010	4	AP1002675	4014486476880
		9215030	3	AP1002844	4014486464122
		9215040	1	AP1001932	4014486490282
		9215050	4	AP1002802	4014486520163
		9215060	1	AP1001803	4014486488135
		9215070	1	AP1001235	4014486491890
		9215090	1	AP1001793	4014486488005
		9215101	1	AP1003383	4014486462241
		9215102	1	AP1004032	4014486518443
		9215110	1	AP1002052	4014486475296
		9215121	4	AP1002148	4014486476637
		9215130	1	AP1004883	4014486714630
		9215140	1	AP1001983	4014486491036
		9215151	1	AP1001940	4014486490374
		9215161	1	AP1005075	4044978005205
		9215181	1	AP1002049	4014486475258
		9215190	4	AP1002188	4014486477337
		9215221	3	AP1002190	4014486477375
		9215232	4	AP1003683	4014486477344
		9215241	1	AP1002024	4014486491593
		9215251	1	AP1001555	4014486484540
		9215260	4	AP1003027	4014486477009
		9215270	1	AP1002065	4014486475456
		9215280	1	AP1002331	4014486478624
		9215290	5	AP1000242	4014486463576
		9215310	1	AP1001579	4014486484861
		9215320	1	AP1001796	4014486488043
		9215330	1	AP1001574	4014486484793
		9215360	1	AP1001792	4014486487992
		9215370	1	AP1002032	4014486491678
		9215380	1	AP1001596	4014486485158
		9215390	1	AP1004619	4014486717495
		9215400	4	AP1003682	4014486477207
		9215412	1	AP1000214	4014486462708
		9215420	1	AP1001602	4014486485240
		9215450	1	AP1002288	4014486479713
		9215470	1	AP1001791	4014486487985
		9215520	1	AP1001587	4014486484984
		9215530	1	AP1002341	4014486478747
		9215540	1	AP1001574	4014486484793
		9215550	1	AP1001555	4014486484540
		9215560	1	AP1001791	4014486487985
		9215570	1	AP1001796	4014486488043



KRONE

NR.	DRIVE	PART NUMBER	SET	AP NR.	EAN
		9215580	1	AP1004566	4014486717310
		9215931	4	AP1002140	4014486476521
		9215962	4	AP1002160	4014486476804
		9215981	4	AP1003026	4014486476453
		9216000	3	AP1002174	4014486477108
		9216010	3	AP1004940	4044978006080
		9216070	4	AP1002171	4014486477054
		200158560	1	AP1004961	4014486920178
		200160010	1	AP1003664	4014486490831
		200166250	1	AP1004960	4014486920161
		200208261	1	AP1004963	4014486920192
		200213740	1	AP1004684	4014486721423
		200213750	1	AP1004681	4014486719765
		200214040	2	no AP	
		200225360	1	no AP	
		200229240	3	AP1005002	4044978005557
		200236560	3	no AP	
		270003340	1	AP1004751	4014486719178
		270009750	4	AP1004772	4014486716849
		270010830	1	AP1004683	4014486721416
		270012960	3	no AP	
		202247460	1	AP1004976	4044978005274
		270016482	1	AP1004617	4014486717471
		270016491	1	AP1004620	4014486717501
		270022770	1	AP1004619	4014486717495
		270029402	1	AP1004639	4014486718850
		270036620	1	AP1001606	4014486485325
		270036680	1	AP1004378	4014486714487
		270042650	1	AP1001332	4014486492965
		270042651	1	AP1004681	4014486719765
		270045470	1	AP1004828	4014486720846
		270050730	1	AP1004810	4014486720518
		270050740	1	AP1002065	4014486475456
		270059850	1	AP1003961	4014486485264
		270063910	1	AP1004671	4014486719727
		270073020	1	AP1003920	4014486485189
		270076720	1	AP1004616	4014486717464
		270078750	1	AP1004570	4014486717358
		270079810	1	AP1004957	4044978005991
		270084780	1	AP1004661	4014486718768
		270084781	1	AP1004662	4014486718775
		270084783	1	AP1004975	4044978005267
		270085110	1	AP1004664	4014486720877
		270085120	1	AP1004644	4014486718546
		270085130	1	AP1004850	4014486717204
		270085150	1	AP1004638	4014486718843
		270086200	1	AP1004670	4014486719710
		270087820	1	AP1004634	4014486718539
		270087821	1	AP1004969	4044978005236
		270089770	1	AP1004657	4014486718881
		270089880	1	AP1004965	4044978006028
		270092540	1	AP1004957	4044978005991
		270092541	1	AP1004796	4014486719444
		270095150	1	AP1004637	4014486718577
		270095930	1	AP1001340	4014486474527
		270095940	1	AP1004881	4014486720839
		270096080	1	AP1004645	4014486718836



KRONE

NR.	DRIVE	PART NUMBER	SET	AP NR.	EAN
		270096090	1	AP1004314	4014486717181
		270096100	1	AP1004665	4014486720884
		270096890	1	AP1002061	4014486475418
		270096091	1	AP1004967	4044978005106
		270097250	5	AP1004776	4014486716870
		270103490	1	AP1004881	4014486720839
		270104120	1	AP1004966	4044978005533
		270104130	1	AP1004495	4014486718249
		2153350	2	AP1004703	4014486719284
		2282360	2	AP1002149	4014486476651
		2282430	1	AP1002353	4014486478860
		9215002	1	AP1004083	4014486476972
		9215010	4	AP1002675	4014486476880
		9215030	3	AP1002844	4014486464122
		9215050	4	AP1002802	4014486520163
		9215101	2	AP1003383	4014486462241
		9215102	2	AP1004032	4014486518443
		9215110	1	AP1002052	4014486475296
		9215121	4	AP1002148	4014486476637
		9215130	1	AP1004883	4014486714630
		9215181	1	AP1002049	4014486475258
		9215190	4	AP1002188	4014486477337
		9215221	3	AP1002190	4014486477375
		9215232	4	AP1003683	4014486477344
		9215251	1	AP1001555	4014486484540
		9215260	4	AP1003027	4014486477009
		9215270	1	AP1002065	4014486475456
		9215280	1	AP1002331	4014486478624
		9215290	5	AP1000242	4014486463576
		9215300	3	AP1000255	4014486464023
		9215310	1	AP1001579	4014486484861
		9215330	1	AP1001574	4014486484793
		9215380	1	AP1001596	4014486485158
		9215400	4	AP1003682	4014486477207
		9215412	1	AP1000214	4014486462708
		9215420	1	AP1001602	4014486485240
		9215451	1	AP1004822	4014486719420
		9215460	1	AP1002148	4014486476637
		9215520	1	AP1001587	4014486484984
		9215530	1	AP1002341	4014486478747
		9215540	1	AP1001574	4014486484793
		9215601	1	AP1000259	4014486464115
		9215931	4	AP1002140	4014486476521
		9215962	4	AP1002160	4014486476804
		9215981	4	AP1003026	4014486476453
		9216000	3	AP1002174	4014486477108
		9216010	3	AP1004940	4044978006080
		9216030	1	AP1003477	4014486467604
		9216070	4	AP1002171	4014486477054
		270107440	1	AP1002122	4014486476248
		270111280	1	AP1004958	4014486920147
		270111281	1	AP1004959	4014486920154
		270113710	1	AP1004983	4014486920284
		270118600	1	AP1004982	4044978005526
		270120020	1	AP1004977	4044978005281
		270134180	1	AP1004964	4044978005700
		270136370	1	AP1004981	4044978005519



KRONE

NR.	DRIVE	PART NUMBER	SET	AP NR.	EAN
		270136380	1	AP1004948	4044978006011
		270136640	1	AP1004971	4044978005243
		270137320	1	AP1004979	4044978005342
		270137740	1	AP1004962	4014486920185
		270140470	1	AP1004968	4044978005199
		270141060	1	AP1004978	4044978005335
		270141140	1	AP1004980	4044978005502
		270141380	1	AP1004970	4014486967326
		270142400	1	AP1004973	4044978005311
		270145800	1	AP1004974	4044978005328
		270148030	1	AP1004972	4044978005250
		270148232	1	AP1001628	4014486485684
		E020T17	1	AP1001631	4014486485769
BIG X 1000					
1	MAIN DRIVE BIG X 1000	200211640	1	AP1004154	4014486523683
2	GRAIN CONDITIONER CPL TAFEL 31 - 37 BIG X 1000	2168800	1	AP1001294	4014486492460
3	CRACKER DRIVE / TENSIONING DEVICE BIG X 1000	2168800	1	AP1001294	4014486492460
6	VENTILATOR DRIVE BIG X 1000	200225361	1	AP1001583	4014486484908
7	SIEVE DRUM BIG X 1000	200208260	1	AP1004113	4014486522884
BIG X 500					
1	MAIN DRIVE BIG X 500	2159940	1	AP1004643	4014486718867
2	GRAIN CONDITIONER CPL TAFEL 31 - 37 BIG X 500	2168800	1	AP1001294	4014486492460
3	CRACKER DRIVE / TENSIONING DEVICE BIG X 500	2168800	1	AP1001294	4014486492460
6	SIEVE DRUM BIG X 500	2253610	1	AP1000182	4014486462111
6	SIEVE DRUM BIG X 500	02253610	1	AP1000182	4014486462111
BIG X 650					
1	MAIN DRIVE BIG X 650	2279101	1	AP1003580	4014486492897
2	GRAIN CONDITIONER CPL TAFEL 33 - 39 BIG X 650	2168800	1	AP1001294	4014486492460
3	CRACKER DRIVE / TENSIONING DEVICE BIG X 650	2168800	1	AP1001294	4014486492460
4	DIESEL ENGINE / CLUTCH / AIR CONDITIONER DRIVE BIG X 650	2282330	1	AP1003730	4014486495287
6	SUCTION SYSTEM DRIVE BIG X 650	2253560	1	AP1002363	4014486478976
6	SIEVE DRUM BIG X 500	2253610	1	AP1000182	4014486462111
6	SUCTION SYSTEM DRIVE BIG X 650	200216850	2	AP1002147	4014486476613
6	SUCTION SYSTEM DRIVE BIG X 650	02253560	1	AP1002363	4014486478976
6	SIEVE DRUM BIG X 500	02253610	1	AP1000182	4014486462111
BIG X 650 (716400 - 718510)					
5	VENTILATOR DRIVE	2282361	1	AP1002149	4014486476651
BIG X 800					
1	MAIN DRIVE BIG X 800	200211640	1	AP1004154	4014486523683
2	GRAIN CONDITIONER CPL TAFEL 31 - 37 BIG X 800	2168800	1	AP1001294	4014486492460
3	CRACKER DRIVE / TENSIONING DEVICE BIG X 800	2168800	1	AP1001294	4014486492460
6	VENTILATOR DRIVE BIG X 800	200225361	1	AP1001583	4014486484908
7	SIEVE DRUM BIG X 800	200208260	1	AP1004113	4014486522884



KUHN

NR.	DRIVE	PART NUMBER	SET	AP NR.	EAN
		6060124	1	AP1005005	4014486920239
		6061629	2	AP1005015	4044978006189
		6061630	3	AP1005016	4044978006196
		6062123	3	AP1005022	4044978005656
		6062124	4	AP1005023	4044978005663
		83101051	1	AP1005026	4044978006240
		83101052	1	AP1005030	4044978006288
		83101053	1	AP1004950	4044978006141
		83101057	1	AP1005010	4044978006134
		83101059	1	AP1002275	4014486478433
		83101060	1	AP1005027	4044978006257
		83101062	1	AP1005028	4044978006264
		83101063	1	AP1005029	4044978006271
		83101066	1	AP1004951	4044978006127
		83101067	1	AP1002272	4014486478402
		83101070	1	AP1004956	4044978006110
		83101252	6	AP1002337	4014486478693
		83101253	3	AP1002342	4014486478754
		83101268	1	AP1005011	4044978006158
		83101270	2	AP1002060	4014486475401
		83101276	1	AP1005012	4044978006172
		83101279	1	AP1005013	
		83101282	1	AP1005009	4044978006035
		83101286	1	AP1005014	4014486920345
		83101656	2	AP1002386	4014486479256
		83101658	2	AP1002383	4014486479195
		83101662	1	AP1005151	4044978203519
		83101664	1	AP1005018	4044978005595
		83101665	1	AP1004955	4044978006073
		83101670	1	AP1004771	4014486716832
		83101672	3	AP1004771	4014486716832
		83101673	4	AP1004771	4014486716832
		83101675	3	AP1005017	4044978006202
		83101680	3	AP1002370	4014486479058
		83101682	4	AP1002374	4014486479102
		83101686	1	AP1005019	4044978005601
		83101687	3	AP1003056	4014486479218
		83101688	4	AP1003057	4014486479225
		83101747	1	AP1004952	4014486920215
		83101753	1	AP1005004	4014486920222
		83101764	2	AP1002366	4014486478990
		83101785	1	AP1003415	4014486463637
		83101791	4	AP1002398	4014486479393
		83101792	4	AP1002399	4014486479409
		83101793	4	AP1005025	4044978005687
		83101794	1	AP1005024	4044978005670
		83101795	2	AP1000258	4014486464061
		83101796	2	AP1000270	4014486464382
		83101797	2	AP1000279	4014486464542
		83101798	2	AP1000284	4014486464641
		83111677	1	AP1001173	4014486497359
		83111678	1	AP1005008	4044978005304
		83111679	1	AP1001219	4014486497526
		83111682	1	AP1001191	4014486497304
		83111683	1	AP1001192	4014486497311
		J0019026	1	AP1005021	4044978005649
		J0019028	1	AP1005020	4044978005632



KUHN

NR.	DRIVE	PART NUMBER	SET	AP NR.	EAN
		1099	1	AP1001280	4014486474466
		1160	1	AP1001279	4014486474459
		1224	1	AP1001278	4014486474442
		37771407	1	AP1000295	4014486464870
		43301603	1	AP1000296	4014486464887
		43303407	1	AP1002401	4014486479430
		43303410	1	AP1002373	4014486479089
		43303412	1	AP1002377	4014486479126
		43303413	1	AP1002371	4014486479065
		43303417	1	AP1002376	4014486479119
		43303418	1	AP1002402	4014486479454
		43303420	1	AP1002364	4014486478983
		43303424	1	AP1002384	4014486479232
		43303426	1	AP1002395	4014486479362
		43303427	1	AP1003419	4014486463699
		43303429	1	AP1002305	4014486479935
		43303432	1	AP1002382	4014486479188
		43303434	1	AP1002393	4014486479348
		43303435	1	AP1004946	4044978005618
		43303436	1	AP1004945	4044978005625
		43303437	1	AP1004942	4014486994179
		99201011	1	AP1000093	4014486460919
		99201014	1	AP1000104	4014486461077
		99201017	1	AP1000108	4014486461121
		99201020	1	AP1000113	4014486461206
		99201032	1	AP1000137	4014486461541
		99201038	1	AP1000141	4014486461589
		99201040	1	AP1000142	4014486461596
		99201411	1	AP1002044	4014486475197
		99201412	1	AP1002040	4014486475159
		99201413	1	AP1002041	4014486475166
		99201414	1	AP1002045	4014486475210
		99201418	1	AP1002050	4014486475265
		99201420	1	AP1002084	4014486475746
		99201422	1	AP1002085	4014486475753
		99201424	1	AP1002086	4014486475760
		99201510	2	AP1002330	4014486478594
		99202008	1	AP1002293	4014486479782
		99202009	2	AP1003045	4014486479799
		99202011	2	AP1002294	4014486479812
		99202012	1	AP1004035	4014486518474
		99202013	4	AP1004194	4014486599381
		99202014	3	AP1002785	4014486463019
		99202015	1	AP1000216	4014486462777
		99202016	3	AP1002757	4014486463200
		99202017	1	AP1000231	4014486520491
		99202018	4	AP1002846	4014486463248
		99202019	3	AP1002778	4014486463071
		99202021	3	AP1002805	4014486463446
		99202022	1	AP1000240	4014486463484
		99202024	4	AP1003046	4014486519266
		99202025	1	AP1000249	4014486463828
		99202026	1	AP1000249	4014486463828
		99202027	4	AP1000249	4014486463828
		99202028	4	AP1000249	4014486463828
		99202031	1	AP1000257	4014486464047
		99202032	1	AP1002308	4014486479966



KVERNELAND

NR.	DRIVE	PART NUMBER	SET	AP NR.	EAN
		99202035	1	AP1000292	4014486464825
		99202036	1	AP1000298	4014486464931
		99202038	1	AP1000303	4014486465068
		99202039	1	AP1000305	4014486465105
		99202040	1	AP1000302	4014486465037
		99202041	1	AP1000313	4014486465273
		99202042	3	AP1000248	4014486463781
		99202062	1	AP1000370	4014486466331
		99202063	1	AP1000373	4014486466362
		99202220	1	AP1002243	4014486478099
		99202322	1	AP1001790	4014486487978
		99202325	1	AP1001794	4014486488012
		99202409	1	AP1002367	4014486479010
		99202410	3	AP1003058	4014486479027
		99202412	1	AP1002117	4014486476170
		99202413	1	AP1002118	4014486476194
		99202415	1	AP1002115	4014486476163
		99202420	1	AP1002133	4014486476385
		99202423	1	AP1002174	4014486477108
		99202424	3	AP1002174	4014486477108
		99202425	4	AP1002174	4014486477108
		99202428	3	AP1002203	4014486477542
		99202429	4	AP1002195	4014486477443
		99202430	4	AP1002129	4014486476347
		99202431	4	AP1004940	4044978006080
		99202432	4	AP1004941	4044978005571
		99202433	4	AP1004703	4014486719284
		99202435	3	AP1004939	4014486920291
		99203005	1	AP1000538	4014486468199
		99203006	1	AP1000539	4014486468205
		99203008	1	AP1000544	4014486468267
		99203010	1	AP1000547	4014486468311
		99203012	1	AP1000553	4014486468434
		99203014	1	AP1000561	4014486468601
		99203015	1	AP1000565	4014486468700
		99203016	4	AP1003495	4014486468588
		99203017	1	AP1000575	4014486468847
		99203018	1	AP1000575	4014486468847
		99203019	4	AP1000575	4014486468847
		99203020	3	AP1000565	4014486468700
		99203021	1	AP1005144	4044978203465
		99203022	3	AP1002900	4014486469134
		99203023	1	AP1000596	4014486469257
		99203024	4	AP1000565	4014486468700
		99203025	3	AP1000575	4014486468847
		99203026	4	AP1000575	4014486468847
		99203027	3	AP1000575	4014486468847
		99203029	1	AP1000624	4014486520262
		99203038	1	AP1000675	4014486470475
		99203039	1	AP1003534	4014486470536
		99203042	1	AP1000697	4014486470789
		99203045	1	AP1000709	4014486470970
		99203046	2	AP1000712	4014486471021
		99203048	1	AP1000715	4014486471052
		99203050	1	AP1000724	4014486471168
		99203052	1	AP1000731	4014486471250
		99203056	1	AP1000745	4014486471410



KVERNELAND

NR.	DRIVE	PART NUMBER	SET	AP NR.	EAN
		99203063	1	AP1000769	4014486471748
		99203082	2	AP1002902	4014486468533
		99203083	2	AP1000558	4014486468557
		99203085	1	AP1000576	4014486468854
		99203086	4	AP1002904	4014486468885
		99203087	1	AP1000578	4014486468939
		99203088	2	AP1000578	4014486468939
		99203090	1	AP1000588	4014486469110
		99203091	4	AP1002901	4014486469141
		99203093	1	AP1003536	4014486470598
		99203203	3	AP1000767	4014486471700
		99203204	5	AP1002906	4014486520071
		99203208	1	AP1002241	4014486478075
		99203210	1	AP1002242	4014486478082
		99203211	1	AP1002244	4014486478105
		99203212	1	AP1002225	4014486477825
		99203213	1	AP1002227	4014486477856
		99203215	3	AP1002221	4014486477771
		99203216	1	AP1002222	4014486477788
		99203218	3	AP1002227	4014486477856
		99203245	1	AP1002254	4014486478211
		99203250	1	AP1002255	4014486478228
		99203310	1	AP1001150	4014486496390
		99203315	1	AP1001151	4014486496406
		99203320	1	AP1001152	4014486496413
		99203330	1	AP1001272	4014486492415
		99203331	1	AP1001273	4014486492408
		99203332	1	AP1001274	4014486492392
		99203333	1	AP1001153	4014486496420
		99203335	1	AP1001154	4014486496437
		99203415	1	AP1000912	4014486473612
		99203418	1	AP1000918	4014486473674
		99203419	1	AP1000919	4014486473681
		99203422	1	AP1000922	4014486473711
		99204062	2	AP1000969	4014486474282
		99204076	2	AP1000972	4014486474329
		99207010	1	AP1001345	4014486474589
		99207113	1	AP1001348	4014486474619
		99207225	1	AP1001341	4014486474534
		0000930	1	AP1004036	4014486518481
		0000930D	1	AP1004036	4014486518481
		0000930M	1	AP1002296	4014486479836
		0000939	1	AP1000211	4014486462593
		0000942	1	AP1003389	4014486462517
		0000942D	1	AP1003389	4014486462517
		0000943	1	AP1000544	4014486468267
		0000944	1	AP1003489	4014486468427
		0001108	1	AP1002271	4014486478396
		0001218	1	AP1002273	4014486478419
		01142085	1	AP1002404	4014486479478
		AC494745	1	AP1001026	4014486498011
		AC494836	1	AP1001025	4014486497984
		AC690011	1	AP1002416	4014486479607
		AC690071	1	AP1002739	4014486479591
		AC690081	1	AP1002419	4014486479638
		AC690115	1	AP1002413	4014486479577
		AC690123	1	AP1002417	4014486479614



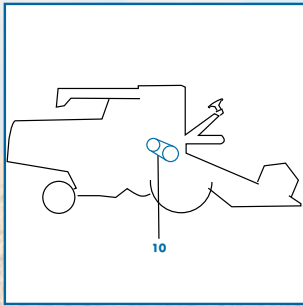
KVERNELAND

NR.	DRIVE	PART NUMBER	SET	AP NR.	EAN
		AC690131	1	AP1002420	4014486479645
		AC690132	1	AP1002419	4014486479638
		AC690137	1	AP1002411	4014486479553
		AC690138	1	AP1002418	4014486479621
		AC690140	1	AP1000989	4014486498004
		AC690149	1	AP1002414	4014486479584
		AC690150	1	AP1002416	4014486479607
		AC690164	1	AP1002410	4014486479546
		AC690181	1	AP1002412	4014486479560
		AC690201	1	AP1002407	4014486479515
		AC690202	1	AP1002406	4014486479508
		ND9036	1	AP1002090	4014486475838
		ND9073	1	AP1002095	4014486475883
		ND9092	1	AP1002197	4014486477467
		ND9198	1	AP1002135	4014486476477
		ND9240	1	AP1002077	4014486475678
		ND9257	1	AP1002052	4014486475296
		ND9359	1	AP1003681	4014486477146
		ND9471	1	AP1003680	4014486477061
		ND96001	1	AP1000369	4014486466317
		ND96006	1	AP1000733	4014486471274
		ND96008	1	AP1002103	4014486475999
		ND96016	1	AP1002185	4014486477290
		ND96023	1	AP1002202	4014486477528
		ND96029	1	AP1000397	4014486466607
		ND96053	1	AP1003684	4014486477351
		ND96063	1	AP1002099	4014486475937
		ND96067	1	AP1002184	4014486477283
		ND96068	1	AP1002196	4014486477450
		ND96070	1	AP1002159	4014486476798
		ND96074	1	AP1002050	4014486475265
		ND96075	1	AP1002204	4014486477559
		ND96078	1	AP1002579	4014486495560
		ND96082	1	AP1002327	4014486478563
		ND96083	1	AP1002054	4014486475319
		ND96084	1	AP1003682	4014486477207
		ND96085	1	AP1002328	4014486478570
		ND96087	1	AP1002191	4014486477382
		ND96089	1	AP1002189	4014486477368
		ND96090	1	AP1002063	4014486475432
		ND96091	1	AP1002194	4014486477436
		ND96096	1	AP1002356	4014486478891
		ND96108	1	AP1002721	4014486476927
		ND96109	1	AP1002139	4014486476507
		ND96120	1	AP1004947	4014486920307
		ND96123	1	AP1004940	4044978006080
		ND96125	1	AP1004943	4044978006103
		ND96132	1	AP1004944	4044978006165
		ND96137	1	AP1004949	4044978005588
		ND9629	1	AP1002328	4014486478570
		ND9630	1	AP1003692	4014486478655
		ND9674	1	AP1000361	4014486466195
		ND9704	1	AP1002187	4014486477320
		ND9732	1	AP1002388	4014486479270
		ND9775	1	AP1002144	4014486476583
		ND9909	1	AP1002132	4014486476378
		ND9928	1	AP1002375	4014486479096

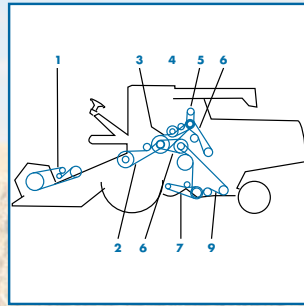


KZK YENISEY

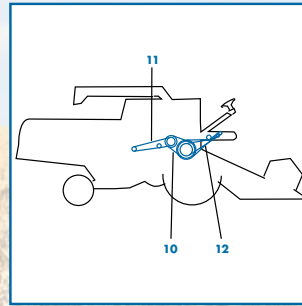
NR.	DRIVE	PART NUMBER	SET	AP NR.	EAN
		28X16 X 1180 LP	1	AP1003306	4014486496611
		28X16 X 1450 LP	1	AP1003307	4014486496635
		38X18 X 1500 LP	1	AP1001003	4014486497267
		38X18 X 2000 LP	1	AP1003308	4014486497281
		38X18 X 2400 LP	1	AP1003309	4014486497298
		3-HB 1650 LA	1	AP1003290	4014486488036
		3-HB 2215 LA	1	AP1003630	4014486488333
		3-HB 2302 LA	1	AP1003292	4014486488418
		3-HB 2462 LA	1	AP1003293	4014486488524
		3-HB 2907 LA	1	AP1003636	4014486488821
		3-HB 3820 LA	1	AP1001884	4014486489408
		45X22 X 2385 LP	1	AP1003310	4014486497595
		45X22 X 4000 LP	1	AP1002723	4014486907797
		4-HB 1662 LA	1	AP1003296	4014486490329
		4-HB 1877 LA	1	AP1003297	4014486490381
		4-HB 2200 LA	1	AP1003659	4014486490503
		4-HB 2215 LA	1	AP1003299	4014486490534
		4-HB 2907 LA	1	AP1003300	4014486490862
		4-HB 3820 LA	1	AP1003301	4014486491210
		5-HB 2777 LA	1	AP1003302	4014486492019
		5-HB 3820 LA	1	AP1003303	4014486492279
		5-HB 4012 LA	1	AP1003304	4014486492286
		5-HB 6377 LA	1	AP1003305	4014486492361
		KB 2/5V 1900 LA	1	AP1003288	4014486487787
		KB 2/5V 2120 LA	1	AP1003289	4014486487794
		2-HB 1862 LA	1	AP1003283	4014486484625
		2-HB 1962 LA	1	AP1001568	4014486484717
		2-HB 2062 LA	1	AP1001574	4014486484793
		2-HB 3820 LA	1	AP1003285	4014486486223
		2-HB 4432 LA	1	AP1003286	4014486486438
		2-HB 4562 LA	1	AP1003287	4014486486469
		A 2530 LP	1	AP1000148	4014486461671
		A 2800 LP	1	AP1000156	4014486461787
		A 3150 LP	1	AP1003269	4014486461947
		A 3750 LP	1	AP1004376	4014486714210
		B 2420 LP	1	AP1000302	4014486465037
		C 1900 LP	1	AP1003272	4014486468762
		C 2000 LP	1	AP1000579	4014486468960
		C 2120 LP	1	AP1000590	4014486520255
		C 2240 LP	1	AP1000597	4014486469295
		C 2800 LP	4	AP1003273	4014486470130
		C 2810 LP	1	AP1000652	4014486470154
		C 3000 LP	1	AP1003274	4014486470437
		C 3081 LP	1	AP1000682	4014486470581
		C 3750 LP	1	AP1000736	4014486471298
		C 4276 LP	1	AP1003276	4014486471724
		C 4750 LP	4	AP1005147	4044978203496
		C 7500 LP	2	AP1000863	4014486473018
		D 1900 LP	1	AP1003282	4014486480115
		D 2120 LP	1	AP1003277	4014486473902
		D 3475 LP	1	AP1002702	4014486474121
		D 3750 LP	1	AP1003278	4014486474176
		D 4500 LP	1	AP1003279	4014486474305
		D 5300 LP	1	AP1000972	4014486474329
		HCM 2010 LA	1	AP1003280	4014486474985
		SPC 2360 LP	1	AP1003281	4014486477672



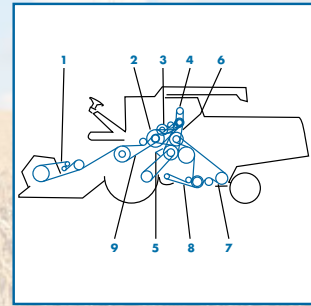
3200 LEFT



3200 RIGHT



3300 LEFT



3300 RIGHT

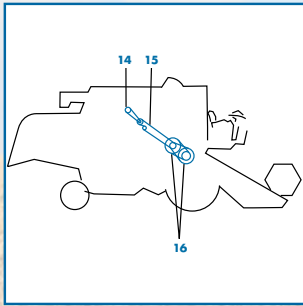
LAVERDA

NR.	DRIVE	PART NUMBER	SET	AP NR.	EAN
3200					
10	CYLINDER VARIATOR DRIVE	340435138	1	AP1004295	4014486683318
3300					
5	TRACTION VARIATOR DRIVE	340435120	1	AP1001468	4014486459784
7	AIR CONDITIONING COMPRESSOR DRIVE 292	H80896	1	AP1002569	4014486495331
7	AIR CONDITIONING COMPRESSOR DRIVE	H81742	1	no AP	
7	STRAW WALKER - AUGER DRIVE	340433970	1	AP1005061	4014486951950
10	CYLINDER VARIATOR DRIVE	340435138	1	AP1004295	4014486683318
23	ROTARY SCREEN DRIVE	H86259	1	no AP	
24	COUNTERSHAFT (SECONDARY)	H138762	1	AP1000710	4014486470987
28	UNLOADING AUGER COUNTERSHAFT	H76136	1	AP1000542	4014486468243
3400					
3	THRESHING MECHANISM DRIVE	344311318	1	AP1005160	4044978207234
3	THRESHING MECHANISM DRIVE	LA344311318	1	AP1005160	4044978207234
5	AIR CONDITIONED CAB INSTALLATION	340433129	1	AP1000104	4014486461077
6	TRANSMISSION	344311126	1	AP1003608	4014486485851
6	TRANSMISSION	LA344311126	1	AP1003608	4014486485851
8	REAR BEATER TO DRIVE TRANSMISSION	340433539	1	AP1001120	4014486497069
8	REAR BEATER TO DRIVE TRANSMISSION	LA340433539	1	AP1001120	4014486497069
10	STRAW WALKER DRIVE	340433316	1	AP1000367	4014486466294
11	AUGER DRIVES	340433446	1	AP1000787	4014486472035
11	AUGER DRIVES	LA340433446	1	AP1000787	4014486472035
12	RADIATOR FILTER TRANSMISSION	340433181	1	AP1003379	4014486461701
12	RADIATOR FILTER TRANSMISSION	LA340433181	1	AP1003379	4014486461701
13	RADIATOR FILTER TRANSMISSION	340433134	1	AP1000107	4014486461114
13	RADIATOR FILTER TRANSMISSION	LA340433134	1	AP1000107	4014486461114
14	DRUM VARIATOR	340435147	1	AP1003848	4014486460261
15	FAN VARIATOR	340435150	1	AP1001422	4014486459296
15	FAN VARIATOR	LA340435150	1	AP1001422	4014486459296
16	FAN VARIATOR	340435151	1	AP1001419	4014486459265
17	FAN DRIVE	340433191	1	AP1000170	4014486461961
18	SECONDARY CLEANER DRIVE	340433469	1	AP1000624	4014486520262
3500					
1	REEL DRIVE VARIABLE SPEED	340434138	1	AP1001061	4014486496451
1	REEL DRIVE VARIABLE SPEED	LA340434138	1	AP1001061	4014486496451
2	COMPRESSOR DRIVE	340433129	1	AP1000104	4014486461077
3	FILTER ROTARY (SECONDARY)	340433134	1	AP1000107	4014486461114
3	FILTER ROTARY (SECONDARY)	LA340433134	1	AP1000107	4014486461114
5		340433191	1	AP1000170	4014486461961
7	STRAW WALKER DRIVE	340433316	1	AP1000367	4014486466294
8		344311126	1	AP1003608	4014486485851
8		LA344311126	1	AP1003608	4014486485851
10	CYLINDER DRIVE	344311318	1	AP1005160	4044978207234
10	CYLINDER DRIVE	LA344311318	1	AP1005160	4044978207234
13	CONVERTER DRIVE	340433422	1	AP1005145	4044978203472
14		340433469	1	AP1000624	4014486520262
16	AUGER DRIVE TAILINGS AND GRAIN	340433446	1	AP1000787	4014486472035
16	AUGER DRIVE TAILINGS AND GRAIN	LA340433446	1	AP1000787	4014486472035
19	RETURN DRIVE	340433539	1	AP1001120	4014486497069
19	RETURN DRIVE	LA340433539	1	AP1001120	4014486497069
20	CYLINDER DRIVE	340435147	1	AP1003848	4014486460261

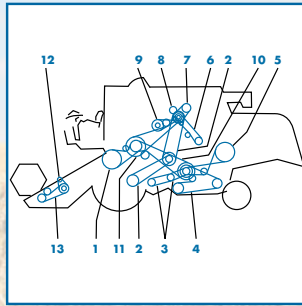


LAVERDA

NR.	DRIVE	PART NUMBER	SET	AP NR.	EAN
3550					
1	AIR CONDITIONED CAB INSTALLATION	340433129	1	AP1000104	4014486461077
2	STRAW WALKER DRIVE	340433316	1	AP1000367	4014486466294
3	AUGER DRIVE	340433446	1	AP1000787	4014486472035
3	AUGER DRIVE	LA340433446	1	AP1000787	4014486472035
5	REAR BEATER TO DRIVE TRANSMISSION	340433539	1	AP1001120	4014486497069
5	REAR BEATER TO DRIVE TRANSMISSION	LA340433539	1	AP1001120	4014486497069
8	TRANSMISSION	344311126	1	AP1003608	4014486485851
8	TRANSMISSION	LA344311126	1	AP1003608	4014486485851
10	THRESHING MECHANISM DRIVE	344311318	1	AP1005160	4044978207234
10	THRESHING MECHANISM DRIVE	LA344311318	1	AP1005160	4044978207234
11	RADIATOR FILTER TRANSMISSION	340433181	1	AP1003379	4014486461701
11	RADIATOR FILTER TRANSMISSION	LA340433181	1	AP1003379	4014486461701
12	DRUM VARIATOR	340435147	1	AP1003848	4014486460261
13	FAN VARIATOR	340435150	1	AP1001422	4014486459296
13	FAN VARIATOR	LA340435150	1	AP1001422	4014486459296
14	FAN VARIATOR	340435151	1	AP1001419	4014486459265
15	RADIATOR FILTER TRANSMISSION	340433134	1	AP1000107	4014486461114
15	RADIATOR FILTER TRANSMISSION	LA340433134	1	AP1000107	4014486461114
3600					
1		344311127	1	AP1001637	4014486485868
1		LA344311127	1	AP1001637	4014486485868
3	MAIN FAN	340433424	1	AP1000614	4014486469523
4	AUGER DRIVE TAILINGS AND GRAIN	344311134	1	AP1004071	4014486520347
8	COMPRESSOR DRIVE	340433129	1	AP1000104	4014486461077
11	CYLINDER VARIATOR DRIVE	344311318	1	AP1005160	4044978207234
11	CYLINDER VARIATOR DRIVE	LA344311318	1	AP1005160	4044978207234
12	REEL DRIVE VARIABLE SPEED	340434138	1	AP1001061	4014486496451
12	REEL DRIVE VARIABLE SPEED	LA340434138	1	AP1001061	4014486496451
16	CYLINDER DRIVE	340435152	1	AP1001539	4014486460582
16	CYLINDER DRIVE	LA340435152	1	AP1001539	4014486460582
3650					
1	REEL DRIVE VARIABLE SPEED	340434138	1	AP1001061	4014486496451
1	REEL DRIVE VARIABLE SPEED	LA340434138	1	AP1001061	4014486496451
2	COMPRESSOR DRIVE	340433129	1	AP1000104	4014486461077
7		344311127	1	AP1001637	4014486485868
7		LA344311127	1	AP1001637	4014486485868
8	AUGER DRIVE TAILINGS AND GRAIN	344311134	1	AP1004071	4014486520347
9	STRAW CHOPPER DRIVE	344311137	1	AP1001679	4014486486483
10	CYLINDER DRIVE	344311318	1	AP1005160	4044978207234
10	CYLINDER DRIVE	LA344311318	1	AP1005160	4044978207234
12	CONVERTER DRIVE	340433422	1	AP1005145	4044978203472
14		340433984	1	AP1001346	4014486474596
15	STRAW WALKER DRIVE	340433457	1	AP1003833	4014486519945
16	RETURN DRIVE	340433539	1	AP1001120	4014486497069
16	RETURN DRIVE	LA340433539	1	AP1001120	4014486497069
17	MAIN FAN	340435150	1	AP1001422	4014486459296
17	MAIN FAN	LA340435150	1	AP1001422	4014486459296
18	CYLINDER VARIATOR DRIVE	340435152	1	AP1001539	4014486460582
18	CYLINDER VARIATOR DRIVE	LA340435152	1	AP1001539	4014486460582



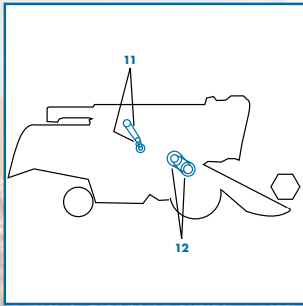
3700 LEFT



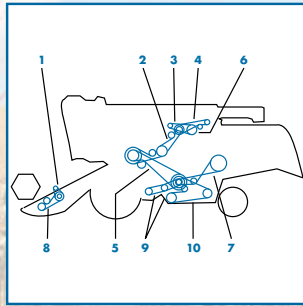
3700 RIGHT

LAVERDA

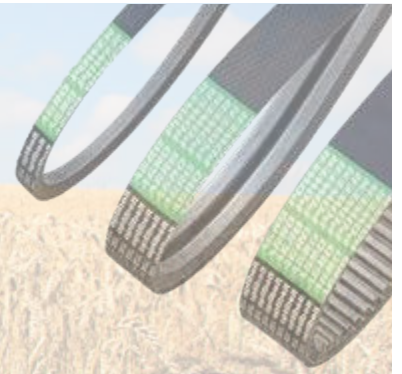
NR.	DRIVE	PART NUMBER	SET	AP NR.	EAN
3700					
1		344311127	1	AP1001637	4014486485868
1		LA344311127	1	AP1001637	4014486485868
3	MAIN FAN	340433424	1	AP1000614	4014486469523
4	AUGER DRIVE TAILINGS AND GRAIN	344311134	1	AP1004071	4014486520347
8	COMPRESSOR DRIVE	340433129	1	AP1000104	4014486461077
11	CYLINDER VARIATOR DRIVE	344311318	1	AP1005160	4044978207234
11	CYLINDER VARIATOR DRIVE	LA344311318	1	AP1005160	4044978207234
12	REEL DRIVE VARIABLE SPEED	340434138	1	AP1001061	4014486496451
12	REEL DRIVE VARIABLE SPEED	LA340434138	1	AP1001061	4014486496451
14	ROTARY FILTER (SECONDARY)	340433144	1	AP1005103	4044978143617
3750					
1	REEL DRIVE VARIABLE SPEED	340434138	1	AP1001061	4014486496451
1	REEL DRIVE VARIABLE SPEED	LA340434138	1	AP1001061	4014486496451
2	COMPRESSOR DRIVE	340433129	1	AP1000104	4014486461077
7		344311127	1	AP1001637	4014486485868
7		LA344311127	1	AP1001637	4014486485868
8	AUGER DRIVE TAILINGS AND GRAIN	344311134	1	AP1004071	4014486520347
9	STRAW CHOPPER DRIVE	344311137	1	AP1001679	4014486486483
10	HYDRAULIC PUMP DRIVE	344311226	1	AP1001835	4014486488593
10	HYDRAULIC PUMP DRIVE	LA344311226	1	AP1001835	4014486488593
11	CYLINDER DRIVE	344311318	1	AP1005160	4044978207234
11	CYLINDER DRIVE	LA344311318	1	AP1005160	4044978207234
13	CONVERTER DRIVE	340433422	1	AP1005145	4044978203472
13		340433984	1	AP1001346	4014486474596
16	STRAW WALKER DRIVE	340433457	1	AP1003833	4014486519945
17	RETURN DRIVE	340433539	1	AP1001120	4014486497069
17	RETURN DRIVE	LA340433539	1	AP1001120	4014486497069
18	MAIN FAN	340435150	1	AP1001422	4014486459296
18	MAIN FAN	LA340435150	1	AP1001422	4014486459296
19	CYLINDER VARIATOR DRIVE	340435152	1	AP1001539	4014486460582
19	CYLINDER VARIATOR DRIVE	LA340435152	1	AP1001539	4014486460582
3790					
1	REEL DRIVE VARIABLE SPEED	340434138	1	AP1001061	4014486496451
1	REEL DRIVE VARIABLE SPEED	LA340434138	1	AP1001061	4014486496451
2	COMPRESSOR DRIVE	340433129	1	AP1000104	4014486461077
3	ROTARY FILTER (SECONDARY)	340433144	1	AP1005103	4044978143617
7		344311127	1	AP1001637	4014486485868
7		LA344311127	1	AP1001637	4014486485868
8	AUGER DRIVE TAILINGS AND GRAIN	344311134	1	AP1004071	4014486520347
9	STRAW CHOPPER DRIVE	344311137	1	AP1001679	4014486486483
10	HYDRAULIC PUMP DRIVE	344311226	1	AP1001835	4014486488593
10	HYDRAULIC PUMP DRIVE	LA344311226	1	AP1001835	4014486488593
11	CYLINDER DRIVE	344311318	1	AP1005160	4044978207234
11	CYLINDER DRIVE	LA344311318	1	AP1005160	4044978207234
13	CONVERTER DRIVE	340433422	1	AP1005145	4044978203472
16	STRAW WALKER DRIVE	340433457	1	AP1003833	4014486519945
17	RETURN DRIVE	340433539	1	AP1001120	4014486497069
17	RETURN DRIVE	LA340433539	1	AP1001120	4014486497069
18	MAIN FAN	340435150	1	AP1001422	4014486459296
18	MAIN FAN	LA340435150	1	AP1001422	4014486459296



3900 LEFT



3900 RIGHT



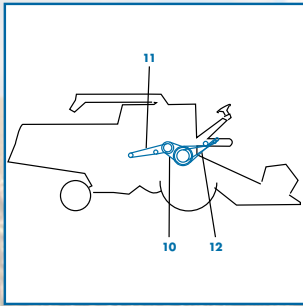
LAVERDA

NR.	DRIVE	PART NUMBER	SET	AP NR.	EAN
3850					
1	REEL DRIVE VARIABLE SPEED	340434138	1	AP1001061	4014486496451
1	REEL DRIVE VARIABLE SPEED	LA340434138	1	AP1001061	4014486496451
2	COMPRESSOR DRIVE	340433129	1	AP1000104	4014486461077
4	DRUM VARI - DRIVE	340435124	2	AP1001468	4014486459784
7	AUGER DRIVE TAILINGS AND GRAIN	344311134	1	AP1004071	4014486520347
8	STRAW CHOPPER DRIVE	344311137	1	AP1001679	4014486486483
9	CYLINDER DRIVE	344311318	1	AP1005160	4044978207234
9	CYLINDER DRIVE	LA344311318	1	AP1005160	4044978207234
12	CONVERTER (E)	340433422	1	AP1005145	4044978203472
13	STRAW WALKER DRIVE	340433457	1	AP1003833	4014486519945
15	RETURN DRIVE	340433539	1	AP1001120	4014486497069
15	RETURN DRIVE	LA340433539	1	AP1001120	4014486497069
16	MAIN FAN	340435150	1	AP1001422	4014486459296
16	MAIN FAN	LA340435150	1	AP1001422	4014486459296
3890					
1	REEL DRIVE VARIABLE SPEED	340434138	1	AP1001061	4014486496451
1	REEL DRIVE VARIABLE SPEED	LA340434138	1	AP1001061	4014486496451
2	COMPRESSOR DRIVE	340433129	1	AP1000104	4014486461077
7	AUGER DRIVE TAILINGS AND GRAIN	344311134	1	AP1004071	4014486520347
8	STRAW CHOPPER DRIVE	344311137	1	AP1001679	4014486486483
9	HYDRAULIC PUMP DRIVE	344311226	1	AP1001835	4014486488593
9	HYDRAULIC PUMP DRIVE	LA344311226	1	AP1001835	4014486488593
10	CYLINDER VARIATOR DRIVE	344311318	1	AP1005160	4044978207234
10	CYLINDER VARIATOR DRIVE	LA344311318	1	AP1005160	4044978207234
14	CONVERTER (E)	340433422	1	AP1005145	4044978203472
15	STRAW WALKER DRIVE	340433457	1	AP1003833	4014486519945
17	RETURN DRIVE	340433539	1	AP1001120	4014486497069
17	RETURN DRIVE	LA340433539	1	AP1001120	4014486497069
18	MAIN FAN	340435150	1	AP1001422	4014486459296
18	MAIN FAN	LA340435150	1	AP1001422	4014486459296
3900					
1	REEL DRIVE VARIABLE SPEED	340434138	1	AP1001061	4014486496451
1	REEL DRIVE VARIABLE SPEED	LA340434138	1	AP1001061	4014486496451
7	STRAW WALKER DRIVE	340433457	1	AP1003833	4014486519945
9	MAIN FAN	340433424	1	AP1000614	4014486469523
10	AUGER DRIVE TAILINGS AND GRAIN	344311134	1	AP1004071	4014486520347
	AUGER DRIVE TAILINGS AND GRAIN	340435127	1	AP1004072	4014486520125
LAVERDA					
		28263119	1	AP1004297	4014486683288
		28263120	1	AP1004281	4014486683127
		28263240	1	AP1004284	4014486683189
		28264254	1	AP1004294	4014486683264
		41990027	1	AP1004300	4014486683059
		87800127	1	AP1002567	4014486495270
		340344276	1	AP1004413	4014486714784
		340433132	1	AP1000101	4014486461022
		340433141	1	AP1000115	4014486461237
		340433144	1	AP1005103	4044978143617
		340433166	1	AP1004274	4014486682885
		340433174	1	AP1004931	4014486868517
		340433195	1	AP1004275	4014486682892
		340433198	1	AP1000165	4014486461893

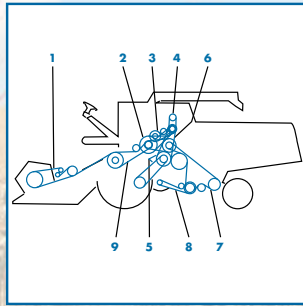


LAVERDA

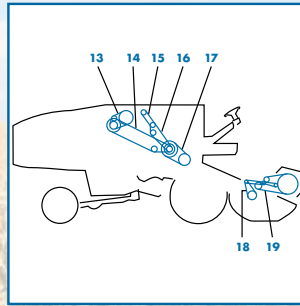
NR.	DRIVE	PART NUMBER	SET	AP NR.	EAN
		340433280	1	AP1005133	4044978203359
		340433537	1	AP1005213	4044978222725
		340433970	1	AP1005061	4014486951950
		340433985	1	AP1001360	4014486474749
		340433986	1	AP1001362	4014486474763
		340435155	1	AP1001540	4014486460599
		344311113	1	AP1005129	4044978162960
		344311117	1	AP1003592	4014486484939
		344311121	1	AP1001591	4014486485035
		344311124	1	AP1001624	4014486485592
		344311128	1	AP1005045	4014486920383
		344311129	1	AP1001642	4014486485943
		344311132	1	AP1004283	4014486683073
		344311212	1	AP1005048	4014486933949
		344311229	1	AP1004286	4014486683165
		344311230	1	AP1001888	4014486489453
		344311231	1	AP1003852	4014486489590
		344311232	1	AP1005090	4014486990546
		344311233	1	AP1001820	4014486488371
		344311236	1	AP1004287	4014486683172
		344311238	1	AP1003630	4014486488333
		344311239	1	AP1004290	4014486683219
		344311240	1	AP1004285	4014486683158
		344311309	1	AP1004289	4014486683196
		344311320	1	AP1005090	4014486990546
		344411229	1	AP1001820	4014486488371
		344411318	1	AP1002000	4014486491265
		344435155	1	AP1001540	4014486460599
		984909360	1	AP1002562	4014486495157
		3404339850	1	AP1001360	4014486474749
		3404339860	1	AP1001362	4014486474763
		3443112310	1	AP1003852	4014486489590
		3443112320	1	AP1005090	4014486990546
		340435146K	1	AP1004271	4014486682861
		6237302M1	1	AP1003038	4014486491784
		6247230M1	1	AP1004293	4014486683240
		6247231M1	1	AP1004069	4014486520200
		6247232M1	1	AP1004277	4014486682939
		6247944M1	1	AP1004291	4014486683226
		6247946M1	1	AP1004296	4014486683271
		6248653M1	1	AP1004282	4014486683134
		6248658M1	1	AP1004279	4014486683103
		6248667M1	1	AP1004278	4014486682960
		6248670M1	1	AP1004280	4014486683110
		7059737M1	1	AP1004292	4014486683233
		7061016M1	1	AP1004288	4014486683257
		7061235M1	1	AP1004298	4014486682984
		7061926M1	1	AP1004299	4014486683066
		LA340435155	1	AP1001540	4014486460599
		LA344311117	1	AP1003592	4014486484939
		LA344311121	1	AP1001591	4014486485035
		LA344311124	1	AP1001624	4014486485592
		LA344311128	1	AP1005045	4014486920383
		LA344311230	1	AP1001888	4014486489453
		LA344311233	1	AP1001820	4014486488371
		LA344311318	1	AP1005160	4044978207234



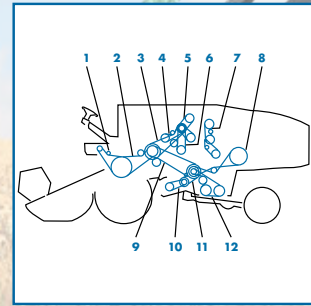
3300 AL LEFT



3300 AL RIGHT



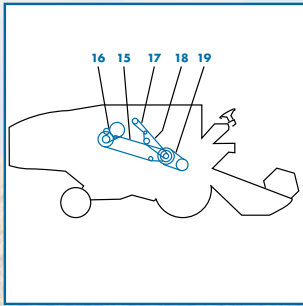
3350 (EX AL 112) LEFT



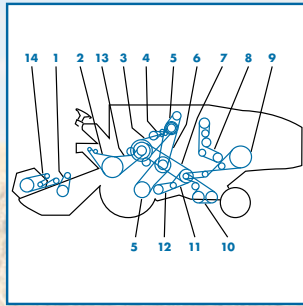
3350 (EX AL 112) RIGHT

LAVERDA

NR.	DRIVE	PART NUMBER	SET	AP NR.	EAN
3300 AL					
5		344311212	1	AP1005048	4014486933949
7	STRAW WALKER - AUGER DRIVE	340433970	1	AP1005061	4014486951950
10	CYLINDER VARIATOR DRIVE	340435138	1	AP1004295	4014486683318
3350 (EX AL 112)					
2	ELEVATOR DRIVE UNIT	340433531	1	AP1005102	4014486474053
6	HYDRAULIC PUMP DRIVE	344311212	1	AP1005048	4014486933949
7	ELEVATOR DRIVE GRAIN	340433289	1	AP1000302	
9	MAIN RETURN DRIVE	340433537	1	AP1005213	4044978222725
11	MAIN FAN (PRIMARY)	340433409	1	AP1000541	4014486468236
15	ROTARY FILTER (SECONDARY)	340433134	1	AP1000107	4014486461114
15	ROTARY FILTER (SECONDARY)	LA340433134	1	AP1000107	4014486461114
16	ROTARY FILTER (PRIMARY)	340433162	1	AP1004273	4014486682878
17	FEEDER SHAFT	340435146	1	AP1004271	4014486682861
18	REEL DRIVE VARIABLE SPEED	340434140	1	AP1000999	4014486497229
3350 (EX M 112)					
1	REEL DRIVE VARIABLE SPEED (1978)	340434138	1	AP1001061	4014486496451
1	REEL DRIVE VARIABLE SPEED	340434140	1	AP1000999	4014486497229
1	REEL DRIVE VARIABLE SPEED (1978)	LA340434138	1	AP1001061	4014486496451
7	RETURN DRIVE	340433537	1	AP1005213	4044978222725
8	FAN DRIVE	340433289	1	AP1000302	
11	FAN DRIVE VARIABLE SPEED	340433409	1	AP1000541	4014486468236
13		340433531	1	AP1005102	4014486474053
14	REEL DRIVE (1978)	340433316	1	AP1000367	4014486466294
14	REEL DRIVE	340433435	1	AP1000702	4014486470857
17	ROTARY FILTER DRIVE	340433134	1	AP1000107	4014486461114
17	ROTARY FILTER DRIVE	LA340433134	1	AP1000107	4014486461114
18	FILTER	340433162	1	AP1004273	4014486682878
3400 R					
3	THRESHING MECHANISM DRIVE	344311318	1	AP1005160	4044978207234
3	THRESHING MECHANISM DRIVE	LA344311318	1	AP1005160	4044978207234
5	AIR CONDITIONED CAB INSTALLATION	340433129	1	AP1000104	4014486461077
6	TRANSMISSION	344311126	1	AP1003608	4014486485851
6	TRANSMISSION	LA344311126	1	AP1003608	4014486485851
8	REAR BEATER TO DRIVE TRANSMISSION	340433539	1	AP1001120	4014486497069
8	REAR BEATER TO DRIVE TRANSMISSION	LA340433539	1	AP1001120	4014486497069
10	STRAW WALKER DRIVE	340433316	1	AP1000367	4014486466294
11	AUGER DRIVE	340433446	1	AP1000787	4014486472035
11	AUGER DRIVE	LA340433446	1	AP1000787	4014486472035
12	RADIATOR FILTER TRANSMISSION	340433181	1	AP1003379	4014486461701
12	RADIATOR FILTER TRANSMISSION	LA340433181	1	AP1003379	4014486461701
13	RADIATOR FILTER TRANSMISSION	340433134	1	AP1000107	4014486461114
13	RADIATOR FILTER TRANSMISSION	LA340433134	1	AP1000107	4014486461114
14	DRUM VARIATOR	340435147	1	AP1003848	4014486460261
15	FAN VARIATOR	340435150	1	AP1001422	4014486459296
15	FAN VARIATOR	LA340435150	1	AP1001422	4014486459296
16	FAN VARIATOR	340435151	1	AP1001419	4014486459265
17	FAN DRIVE	340433191	1	AP1000170	4014486461961
18	SECONDARY CLEANER DRIVE	340433469	1	AP1000624	4014486520262
	RADIATOR FILTER TRANSMISSION	340433134	1	AP1000107	4014486461114
	RADIATOR FILTER TRANSMISSION	LA340433134	1	AP1000107	4014486461114



3450 (EX AL132) LEFT



3450 (EX AL132) RIGHT

LAVERDA

NR.	DRIVE	PART NUMBER	SET	AP NR.	EAN
3450 (EX AL 132)					
1	REEL DRIVE (1978)	340433316	1	AP1000367	4014486466294
1	REEL DRIVE	340433435	1	AP1000702	4014486470857
2	REEL DRIVE VARIABLE SPEED	340434138	1	AP1001061	4014486496451
2	REEL DRIVE VARIABLE SPEED	340434140	1	AP1000999	4014486497229
2	REEL DRIVE VARIABLE SPEED	LA340434138	1	AP1001061	4014486496451
4		340433531	1	AP1005102	4014486474053
9	MAIN RETURN DRIVE	340433537	1	AP1005213	4044978222725
10	FAN DRIVE	340433289	1	AP1000302	
13	MAIN FAN (PRIMARY)	340433409	1	AP1000541	4014486468236
17	ROTARY FILTER (SECONDARY)	340433134	1	AP1000107	4014486461114
17	ROTARY FILTER (SECONDARY)	340433134	1	AP1000107	4014486461114
18	ROTARY FILTER (PRIMARY)	340433162	1	AP1004273	4014486682878
3500 R					
1	AIR CONDITIONED CAB INSTALLATION	340433129	1	AP1000104	4014486461077
2	STRAW WALKER DRIVE	340433316	1	AP1000367	4014486466294
3	AUGER DRIVE	340433446	1	AP1000787	4014486472035
3	AUGER DRIVE	LA340433446	1	AP1000787	4014486472035
5	REAR BEATER TO DRIVE TRANSMISSION	340433539	1	AP1001120	4014486497069
5	REAR BEATER TO DRIVE TRANSMISSION	LA340433539	1	AP1001120	4014486497069
8	TRANSMISSION	344311126	1	AP1003608	4014486485851
8	TRANSMISSION	LA344311126	1	AP1003608	4014486485851
10	THRESHING MECHANISM DRIVE	344311318	1	AP1005160	4044978207234
10	THRESHING MECHANISM DRIVE	LA344311318	1	AP1005160	4044978207234
11	RADIATOR FILTER TRANSMISSION	340433181	1	AP1003379	4014486461701
11	RADIATOR FILTER TRANSMISSION	LA340433181	1	AP1003379	4014486461701
12	DRUM VARIATOR	340435147	1	AP1003848	4014486460261
13	FAN VARIATOR	340435150	1	AP1001422	4014486459296
13	FAN VARIATOR	LA340435150	1	AP1001422	4014486459296
14	FAN VARIATOR	340435151	1	AP1001419	4014486459265
15	RADIATOR FILTER TRANSMISSION	340433134	1	AP1000107	4014486461114
15	RADIATOR FILTER TRANSMISSION	LA340433134	1	AP1000107	4014486461114
3550 AL					
1		340434138	1	AP1001061	4014486496451
1		LA340434138	1	AP1001061	4014486496451
2		340433129	1	AP1000104	4014486461077
3		340433134	1	AP1000107	4014486461114
3		LA340433134	1	AP1000107	4014486461114
4	RADIATOR FILTER TRANSMISSION	340433181	1	AP1003379	4014486461701
4	RADIATOR FILTER TRANSMISSION	LA340433181	1	AP1003379	4014486461701
5		340433191	1	AP1000170	4014486461961
8		340433316	1	AP1000367	4014486466294
9		344311126	1	AP1003608	4014486485851
9		LA344311126	1	AP1003608	4014486485851
10		344311226	1	AP1001835	4014486488593
10		LA344311226	1	AP1001835	4014486488593
11		344311318	1	AP1005160	4044978207234
11		LA344311318	1	AP1005160	4044978207234
14		340433469	1	AP1000624	4014486520262
16		340433446	1	AP1000787	4014486472035
16		LA340433446	1	AP1000787	4014486472035
19		340433539	1	AP1001120	4014486497069
19		LA340433539	1	AP1001120	4014486497069
20		340435147	1	AP1003848	4014486460261



LAVERDA

NR.	DRIVE	PART NUMBER	SET	AP NR.	EAN
3550 R					
1	AIR CONDITIONED CAB INSTALLATION	340433129	1	AP1000104	4014486461077
2	STRAW WALKER DRIVE	340433316	1	AP1000367	4014486466294
3	AUGER DRIVE	340433446	1	AP1000787	4014486472035
3	AUGER DRIVE	LA340433446	1	AP1000787	4014486472035
5	REAR BEATER TO DRIVE TRANSMISSION	340433539	1	AP1001120	4014486497069
5	REAR BEATER TO DRIVE TRANSMISSION	LA340433539	1	AP1001120	4014486497069
8	TRANSMISSION	344311126	1	AP1003608	4014486485851
8	TRANSMISSION	LA344311126	1	AP1003608	4014486485851
10	THRESHING MECHANISM DRIVE	344311318	1	AP1005160	4044978207234
10	THRESHING MECHANISM DRIVE	LA344311318	1	AP1005160	4044978207234
11	RADIATOR FILTER TRANSMISSION	340433181	1	AP1003379	4014486461701
11	RADIATOR FILTER TRANSMISSION	LA340433181	1	AP1003379	4014486461701
12	DRUM VARIATOR	340435147	1	AP1003848	4014486460261
13	FAN VARIATOR	340435150	1	AP1001422	4014486459296
13	FAN VARIATOR	LA340435150	1	AP1001422	4014486459296
14	FAN VARIATOR	340435151	1	AP1001419	4014486459265
15	RADIATOR FILTER TRANSMISSION	340433134	1	AP1000107	4014486461114
15	RADIATOR FILTER TRANSMISSION	LA340433134	1	AP1000107	4014486461114
3560 AL					
		340433129	1	AP1000104	4014486461077
		340433539	1	AP1001120	4014486497069
		340434138	1	AP1001061	4014486496451
		340435150	1	AP1001422	4014486459296
		344311139	1	AP1001688	4014486486629
		344311318	1	AP1005160	4044978207234
		LA340433539	1	AP1001120	4014486497069
		LA340434138	1	AP1001061	4014486496451
		LA340435150	1	AP1001422	4014486459296
		LA344311318	1	AP1005160	4044978207234
3560AL					
		340433422	1	AP1005145	4014486520514
3650 R					
		340433129	1	AP1000104	4014486461077
		340433422	1	AP1005145	4044978203472
		340433475	1	AP1000588	4014486469110
	RETURN DRIVE	340433539	1	AP1001120	4014486497069
	REEL DRIVE VARIABLE SPEED	340434138	1	AP1001061	4014486496451
		340435131	1	AP1001499	4014486460131
	MAIN FAN	340435150	1	AP1001422	4014486459296
	CYLINDER DRIVE	344311318	1	AP1005160	4044978207234
	RETURN DRIVE	LA340433539	1	AP1001120	4014486497069
13		340433984	1	AP1001346	4014486474596
		LA340433984	1	AP1001346	4014486474596
		LA340433984	1	AP1001346	4014486474596
	REEL DRIVE VARIABLE SPEED	LA340434138	1	AP1001061	4014486496451
	MAIN FAN	LA340435150	1	AP1001422	4014486459296
	CYLINDER DRIVE	LA344311318	1	AP1005160	4044978207234
3750 R					
		340433129	1	AP1000104	4014486461077
		340433422	1	AP1005145	4044978203472
		340433475	1	AP1000588	4014486469110



L AVERDA

NR.	DRIVE	PART NUMBER	SET	AP NR.	EAN
13	RETURN DRIVE	340433539	1	AP1001120	4014486497069
		340433984	1	AP1001346	4014486474596
	REEL DRIVE VARIABLE SPEED	340434138	1	AP1001061	4014486496451
		340435131	1	AP1001499	4014486460131
	MAIN FAN	340435150	1	AP1001422	4014486459296
	CYLINDER DRIVE	344311318	1	AP1005160	4044978207234
	RETURN DRIVE	LA340433539	1	AP1001120	4014486497069
		LA340433984	1	AP1001346	4014486474596
		LA340433984	1	AP1001346	4014486474596
	REEL DRIVE VARIABLE SPEED	LA340434138	1	AP1001061	4014486496451
	MAIN FAN	LA340435150	1	AP1001422	4014486459296
	CYLINDER DRIVE	LA344311318	1	AP1005160	4044978207234
	3850 R				
4	DRUM VARI - DRIVE	340435124	2	AP1001468	4014486459784
L 517					
1	POST CYLINDER VARIATOR DRIVE	344311318	1	AP1005160	4044978207234
1	POST CYLINDER VARIATOR DRIVE	LA344311318	1	AP1005160	4044978207234
2	STRAW ELEVATOR DRIVE	344311127	1	AP1001637	4014486485868
2	STRAW ELEVATOR DRIVE	344312128	1	AP1003623	4014486487503
2	STRAW ELEVATOR DRIVE	LA344311127	1	AP1001637	4014486485868
2	STRAW ELEVATOR DRIVE	LA344312128	1	AP1003623	4014486487503
3	AUGER DRIVE TAILINGS AND GRAIN	344311123	1	AP1001622	4014486485554
4	FAN RETURN DRIVE	340433539	1	AP1001120	4014486497069
4	FAN RETURN DRIVE	LA340433539	1	AP1001120	4014486497069
6	DISCHARGE DRIVE GRAIN TANK	340433475	1	AP1000588	4014486469110
7	ROTARY FILTER DRIVE	340433181	1	AP1003379	4014486461701
7	ROTARY FILTER DRIVE	LA340433181	1	AP1003379	4014486461701
8	CYLINDER VARIATOR DRIVE	340435152	1	AP1001539	4014486460582
8	CYLINDER VARIATOR DRIVE	LA340435152	1	AP1001539	4014486460582
9	FAN DRIVE	340435150	1	AP1001422	4014486459296
9	FAN DRIVE	LA340435150	1	AP1001422	4014486459296
11	CENTRAL RETURN DRIVE	LA340433984	1	AP1001346	4014486474596
11	CENTRAL RETURN DRIVE	340433984	1	AP1001346	4014486474596
12	REEL DRIVE VARIABLE SPEED	340434138	1	AP1001061	4014486496451
12	REEL DRIVE VARIABLE SPEED	LA340434138	1	AP1001061	4014486496451
14	COMPRESSOR DRIVE	340433131	1	AP1000106	4014486461091
16		340433260	1	AP1000241	4014486463552
17		340433270	1	AP1000256	4014486464054
18	CHOPPER DRIVE	344311130	1	AP1001652	4014486486056
19	CHOPPER DRIVE	344311151	1	AP1001717	4014486486995
19	CHOPPER DRIVE	LA344311151	1	AP1001717	4014486486995
21	PUMP DRIVE	344311228	1	AP1003630	4014486488333
36	FAN DRIVE	340433159	1	AP1000135	4014486461527
38	FAN DRIVE	340435153	1	AP1001424	4014486459319
38	FAN DRIVE	LA340435153	1	AP1001424	4014486459319
L 518					
15		340433984	1	AP1001346	4014486474596
16		340433260	1	AP1000241	4014486463552
36	FAN DRIVE	340433159	1	AP1000135	4014486461527
		340433268	1	AP1000252	4014486463941
		340433270	1	AP1000256	4014486464054
	FAN DRIVE	340433405	1	AP1000554	4014486468472
	DISCHARGE DRIVE GRAIN TANK	340433475	1	AP1000588	4014486469110
	FAN RETURN DRIVE	340433539	1	AP1001120	4014486497069



L AVERDA

NR.	DRIVE	PART NUMBER	SET	AP NR.	EAN
		340434138	1	AP1001061	4014486496451
		340435150	1	AP1001422	4014486459296
		340435152	1	AP1001539	4014486460582
	FAN DRIVE	340435153	1	AP1001424	4014486459319
	CHOPPER DRIVE	344311151	1	AP1001717	4014486486995
	PUMP DRIVE	344311228	1	AP1003630	4014486488333
	POST CYLINDER VARIATOR DRIVE	344311318	1	AP1005160	4044978207234
	STRAW ELEVATOR DRIVE	344312128	1	AP1003623	4014486487503
	FAN DRIVE	LA340433405	1	AP1000554	4014486468472
	FAN RETURN DRIVE	LA340433539	1	AP1001120	4014486497069
		LA340433984	1	AP1001346	4014486474596
		LA340433984	1	AP1001346	4014486474596
		LA340434138	1	AP1001061	4014486496451
		LA340435150	1	AP1001422	4014486459296
		LA340435152	1	AP1001539	4014486460582
	FAN DRIVE	LA340435153	1	AP1001424	4014486459319
	CHOPPER DRIVE	LA344311151	1	AP1001717	4014486486995
	POST CYLINDER VARIATOR DRIVE	LA344311318	1	AP1005160	4044978207234
	STRAW ELEVATOR DRIVE	LA344312128	1	AP1003623	4014486487503
L520					
15		340433984	1	AP1001346	4014486474596
16		340433260	1	AP1000241	4014486463552
36	FAN DRIVE	340433159	1	AP1000135	4014486461527
		340433268	1	AP1000252	4014486463941
		340433270	1	AP1000256	4014486464054
	FAN DRIVE	340433405	1	AP1000554	4014486468472
	DISCHARGE DRIVE GRAIN TANK	340433475	1	AP1000588	4014486469110
	FAN RETURN DRIVE	340433539	1	AP1001120	4014486497069
		340434138	1	AP1001061	4014486496451
		340435150	1	AP1001422	4014486459296
		340435152	1	AP1001539	4014486460582
	FAN DRIVE	340435153	1	AP1001424	4014486459319
	CHOPPER DRIVE	344311151	1	AP1001717	4014486486995
	PUMP DRIVE	344311228	1	AP1003630	4014486488333
	POST CYLINDER VARIATOR DRIVE	344311318	1	AP1005160	4044978207234
	STRAW ELEVATOR DRIVE	344312128	1	AP1003623	4014486487503
	FAN DRIVE	LA340433405	1	AP1000554	4014486468472
	FAN RETURN DRIVE	LA340433539	1	AP1001120	4014486497069
		LA340433984	1	AP1001346	4014486474596
		LA340433984	1	AP1001346	4014486474596
		LA340434138	1	AP1001061	4014486496451
		LA340435150	1	AP1001422	4014486459296
		LA340435152	1	AP1001539	4014486460582
	FAN DRIVE	LA340435153	1	AP1001424	4014486459319
	CHOPPER DRIVE	LA344311151	1	AP1001717	4014486486995
	POST CYLINDER VARIATOR DRIVE	LA344311318	1	AP1005160	4044978207234
	STRAW ELEVATOR DRIVE	LA344312128	1	AP1003623	4014486487503
L 521					
1	POST CYLINDER VARIATOR DRIVE	344311318	1	AP1005160	4044978207234
1	POST CYLINDER VARIATOR DRIVE	LA344311318	1	AP1005160	4044978207234
2	STRAW ELEVATOR DRIVE	344311127	1	AP1001637	4014486485868
2	STRAW ELEVATOR DRIVE	344312128	1	AP1003623	4014486487503
2	STRAW ELEVATOR DRIVE	LA344311127	1	AP1001637	4014486485868
2	STRAW ELEVATOR DRIVE	LA344312128	1	AP1003623	4014486487503
3	AUGER DRIVE TAILINGS AND GRAIN	344311123	1	AP1001622	4014486485554



L AVERDA

NR.	DRIVE	PART NUMBER	SET	AP NR.	EAN
4	FAN RETURN DRIVE	340433539	1	AP1001120	4014486497069
4	FAN RETURN DRIVE	LA340433539	1	AP1001120	4014486497069
6	DISCHARGE DRIVE GRAIN TANK	340433475	1	AP1000588	4014486469110
7	ROTARY FILTER	340433984	1	AP1001346	4014486474596
7	ROTARY FILTER DRIVE	340433181	1	AP1003379	4014486461701
7	ROTARY FILTER DRIVE	LA340433181	1	AP1003379	4014486461701
8	CYLINDER VARIATOR DRIVE	340435152	1	AP1001539	4014486460582
8	CYLINDER VARIATOR DRIVE	LA340435152	1	AP1001539	4014486460582
9	FAN DRIVE	340435150	1	AP1001422	4014486459296
9	FAN DRIVE	LA340435150	1	AP1001422	4014486459296
11	CENTRAL RETURN DRIVE	LA340433984	1	AP1001346	4014486474596
11	CENTRAL RETURN DRIVE	LA340433984	1	AP1001346	4014486474596
12	REEL DRIVE VARIABLE SPEED	340434138	1	AP1001061	4014486496451
12	REEL DRIVE VARIABLE SPEED	LA340434138	1	AP1001061	4014486496451
14	COMPRESSOR DRIVE	340433131	1	AP1000106	4014486461091
15		340433262	1	AP1000244	4014486520156
15		LA340433262	1	AP1000244	4014486520156
18	CHOPPER DRIVE	344311130	1	AP1001652	4014486486056
19	CHOPPER DRIVE	344311151	1	AP1001717	4014486486995
19	CHOPPER DRIVE	LA344311151	1	AP1001717	4014486486995
20		340433151	1	AP1000124	4014486461367
22	HYDRAULIC PUMP DRIVE	344311227	1	AP1001820	4014486488371
22	HYDRAULIC PUMP DRIVE	LA344311227	1	AP1001820	4014486488371
36	FAN DRIVE	340433159	1	AP1000135	4014486461527
37	PUMP DRIVE	340433152	1	AP1000119	
37	HYDRAULIC PUMP DRIVE	340433259	1	AP1000225	4014486463033
		340433253	1	AP1000231	4014486520491
		340433270	1	AP1000256	4014486464054
	CYLINDER VARIATOR DRIVE	340435152	1	AP1001539	4014486460582
	FAN DRIVE	340435153	1	AP1001424	4014486459319
		LA340433253	1	AP1000231	4014486520491
	CYLINDER VARIATOR DRIVE	LA340435152	1	AP1001539	4014486460582
	FAN DRIVE	LA340435153	1	AP1001424	4014486459319

L 523 - INTEGRALE

16	CENTRAL RETURN DRIVE	340433984	1	AP1001346	4014486474596
36	FAN DRIVE	340433159	1	AP1000135	4014486461527
		340433253	1	AP1000231	4014486520491
	HYDRAULIC PUMP DRIVE	340433259	1	AP1000225	4014486463033
		340433262	1	AP1000244	4014486520156
		340433270	1	AP1000256	4014486464054
	FAN DRIVE	340433405	1	AP1000554	4014486468472
	DISCHARGE DRIVE GRAIN TANK	340433475	1	AP1000588	4014486469110
	FAN RETURN DRIVE	340433539	1	AP1001120	4014486497069
	REEL DRIVE VARIABLE SPEED	340434138	1	AP1001061	4014486496451
	FAN DRIVE	340435150	1	AP1001422	4014486459296
	CYLINDER VARIATOR DRIVE	340435152	1	AP1001539	4014486460582
	FAN DRIVE	340435153	1	AP1001424	4014486459319
	CHOPPER DRIVE	344311151	1	AP1001717	4014486486995
	HYDRAULIC PUMP DRIVE	344311227	1	AP1001820	4014486488371
	POST CYLINDER VARIATOR DRIVE	344311318	1	AP1005160	4044978207234
	STRAW ELEVATOR DRIVE	344312128	1	AP1003623	4014486487503
		LA340433253	1	AP1000231	4014486520491
		LA340433262	1	AP1000244	4014486520156
	FAN DRIVE	LA340433405	1	AP1000554	4014486468472
	FAN RETURN DRIVE	LA340433539	1	AP1001120	4014486497069
		LA340433984	1	AP1001346	4014486474596



L AVERDA

NR.	DRIVE	PART NUMBER	SET	AP NR.	EAN
	REEL DRIVE VARIABLE SPEED	LA340434138	1	AP1001061	4014486496451
	FAN DRIVE	LA340435150	1	AP1001422	4014486459296
	CYLINDER VARIATOR DRIVE	LA340435152	1	AP1001539	4014486460582
	FAN DRIVE	LA340435153	1	AP1001424	4014486459319
	CHOPPER DRIVE	LA344311151	1	AP1001717	4014486486995
	HYDRAULIC PUMP DRIVE	LA344311227	1	AP1001820	4014486488371
	POST CYLINDER VARIATOR DRIVE	LA344311318	1	AP1005160	4044978207234
	STRAW ELEVATOR DRIVE	LA344312128	1	AP1003623	4014486487503
L 523 - MCS					
16	CENTRAL RETURN DRIVE	340433984	1	AP1001346	4014486474596
36	FAN DRIVE	340433159	1	AP1000135	4014486461527
		340433253	1	AP1000231	4014486520491
	HYDRAULIC PUMP DRIVE	340433259	1	AP1000225	4014486463033
		340433262	1	AP1000244	4014486520156
		340433268	1	AP1000252	4014486463941
		340433270	1	AP1000256	4014486464054
	FAN DRIVE	340433405	1	AP1000554	4014486468472
	DISCHARGE DRIVE GRAIN TANK	340433475	1	AP1000588	4014486469110
	FAN RETURN DRIVE	340433539	1	AP1001120	4014486497069
	REEL DRIVE VARIABLE SPEED	340434138	1	AP1001061	4014486496451
	FAN DRIVE	340435150	1	AP1001422	4014486459296
	CYLINDER VARIATOR DRIVE	340435152	1	AP1001539	4014486460582
	FAN DRIVE	340435153	1	AP1001424	4014486459319
	CHOPPER DRIVE	344311151	1	AP1001717	4014486486995
	HYDRAULIC PUMP DRIVE	344311227	1	AP1001820	4014486488371
	POST CYLINDER VARIATOR DRIVE	344311318	1	AP1005160	4044978207234
	STRAW ELEVATOR DRIVE	344312128	1	AP1003623	4014486487503
		LA340433253	1	AP1000231	4014486520491
		LA340433262	1	AP1000244	4014486520156
	FAN DRIVE	LA340433405	1	AP1000554	4014486468472
	FAN RETURN DRIVE	LA340433539	1	AP1001120	4014486497069
		LA340433984	1	AP1001346	4014486474596
		LA340433984	1	AP1001346	4014486474596
	REEL DRIVE VARIABLE SPEED	LA340434138	1	AP1001061	4014486496451
	FAN DRIVE	LA340435150	1	AP1001422	4014486459296
	CYLINDER VARIATOR DRIVE	LA340435152	1	AP1001539	4014486460582
	FAN DRIVE	LA340435153	1	AP1001424	4014486459319
	CHOPPER DRIVE	LA344311151	1	AP1001717	4014486486995
	HYDRAULIC PUMP DRIVE	LA344311227	1	AP1001820	4014486488371
	POST CYLINDER VARIATOR DRIVE	LA344311318	1	AP1005160	4044978207234
	STRAW ELEVATOR DRIVE	LA344312128	1	AP1003623	4014486487503
L 524					
1	POST CYLINDER VARIATOR DRIVE	344311318	1	AP1005160	4044978207234
1	POST CYLINDER VARIATOR DRIVE	LA344311318	1	AP1005160	4044978207234
2	STRAW ELEVATOR DRIVE	344311127	1	AP1001637	4014486485868
2	STRAW ELEVATOR DRIVE	344312128	1	AP1003623	4014486487503
2	STRAW ELEVATOR DRIVE	LA344311127	1	AP1001637	4014486485868
2	STRAW ELEVATOR DRIVE	LA344312128	1	AP1003623	4014486487503
3	AUGER DRIVE TAILINGS AND GRAIN	344311123	1	AP1001622	4014486485554
4	FAN RETURN DRIVE	340433539	1	AP1001120	4014486497069
4	FAN RETURN DRIVE	LA340433539	1	AP1001120	4014486497069
6	DISCHARGE DRIVE GRAIN TANK	340433475	1	AP1000588	4014486469110
7	ROTARY FILTER DRIVE	340433152	1	AP1000119	
8	CYLINDER VARIATOR DRIVE	340435152	1	AP1001539	4014486460582
8	CYLINDER VARIATOR DRIVE	LA340435152	1	AP1001539	4014486460582



L AVERDA

NR.	DRIVE	PART NUMBER	SET	AP NR.	EAN
9	FAN DRIVE	340435150	1	AP1001422	4014486459296
9	FAN DRIVE	LA340435150	1	AP1001422	4014486459296
11	CENTRAL RETURN DRIVE	340433984	1	AP1001346	4014486474596
11	CENTRAL RETURN DRIVE	LA340433984	1	AP1001346	4014486474596
12	REEL DRIVE VARIABLE SPEED	340434138	1	AP1001061	4014486496451
12	REEL DRIVE VARIABLE SPEED	LA340434138	1	AP1001061	4014486496451
14	COMPRESSOR DRIVE	340433131	1	AP1000106	4014486461091
18	CHOPPER DRIVE	344311130	1	AP1001652	4014486486056
19	CHOPPER DRIVE	344311151	1	AP1001717	4014486486995
19	CHOPPER DRIVE	LA344311151	1	AP1001717	4014486486995
20		340433151	1	AP1000124	4014486461367
22	HYDRAULIC PUMP DRIVE	344311227	1	AP1001820	4014486488371
22	HYDRAULIC PUMP DRIVE	LA344311227	1	AP1001820	4014486488371
36	FAN DRIVE	340433159	1	AP1000135	4014486461527
		340433253	1	AP1000231	4014486520491
	HYDRAULIC PUMP DRIVE	340433259	1	AP1000225	4014486463033
		340433262	1	AP1000244	4014486520156
		340433270	1	AP1000256	4014486464054
	CYLINDER VARIATOR DRIVE	340435152	1	AP1001539	4014486460582
	FAN DRIVE	340435153	1	AP1001424	4014486459319
		LA340433253	1	AP1000231	4014486520491
		LA340433262	1	AP1000244	4014486520156
	CYLINDER VARIATOR DRIVE	LA340435152	1	AP1001539	4014486460582
	FAN DRIVE	LA340435153	1	AP1001424	4014486459319
L 525 - INTEGRALE					
16	CENTRAL RETURN DRIVE	340433984	1	AP1001346	4014486474596
36	FAN DRIVE	340433159	1	AP1000135	4014486461527
		340433253	1	AP1000231	4014486520491
	HYDRAULIC PUMP DRIVE	340433259	1	AP1000225	4014486463033
		340433262	1	AP1000244	4014486520156
		340433268	1	AP1000252	4014486463941
		340433270	1	AP1000256	4014486464054
	FAN DRIVE	340433405	1	AP1000554	4014486468472
	DISCHARGE DRIVE GRAIN TANK	340433475	1	AP1000588	4014486469110
	FAN RETURN DRIVE	340433539	1	AP1001120	4014486497069
	REEL DRIVE VARIABLE SPEED	340434138	1	AP1001061	4014486496451
	FAN DRIVE	340435150	1	AP1001422	4014486459296
	ROTARY FILTER DRIVE	340435152	1	AP1001539	4014486460582
	FAN DRIVE	340435153	1	AP1001424	4014486459319
	CHOPPER DRIVE	344311151	1	AP1001717	4014486486995
	HYDRAULIC PUMP DRIVE	344311227	1	AP1001820	4014486488371
	POST CYLINDER VARIATOR DRIVE	344311318	1	AP1005160	4044978207234
	STRAW ELEVATOR DRIVE	344312128	1	AP1003623	4014486487503
		LA340433253	1	AP1000231	4014486520491
		LA340433262	1	AP1000244	4014486520156
	FAN DRIVE	LA340433405	1	AP1000554	4014486468472
	FAN RETURN DRIVE	LA340433539	1	AP1001120	4014486497069
		LA340433984	1	AP1001346	4014486474596
		LA340433984	1	AP1001346	4014486474596
	REEL DRIVE VARIABLE SPEED	LA340434138	1	AP1001061	4014486496451
	FAN DRIVE	LA340435150	1	AP1001422	4014486459296
	ROTARY FILTER DRIVE	LA340435152	1	AP1001539	4014486460582
	FAN DRIVE	LA340435153	1	AP1001424	4014486459319
	CHOPPER DRIVE	LA344311151	1	AP1001717	4014486486995
	HYDRAULIC PUMP DRIVE	LA344311227	1	AP1001820	4014486488371
	POST CYLINDER VARIATOR DRIVE	LA344311318	1	AP1005160	4044978207234



L A V E R D A

NR.	DRIVE	PART NUMBER	SET	AP NR.	EAN
	STRAW ELEVATOR DRIVE	LA344312128	1	AP1003623	4014486487503
L 525 - MCS					
11	CENTRAL RETURN DRIVE	340433984	1	AP1001346	4014486474596
36	FAN DRIVE	340433159	1	AP1000135	4014486461527
		340433253	1	AP1000231	4014486520491
	HYDRAULIC PUMP DRIVE	340433259	1	AP1000225	4014486463033
		340433262	1	AP1000244	4014486520156
		340433270	1	AP1000256	4014486464054
	FAN DRIVE	340433405	1	AP1000554	4014486468472
	DISCHARGE DRIVE GRAIN TANK	340433475	1	AP1000588	4014486469110
	FAN RETURN DRIVE	340433539	1	AP1001120	4014486497069
	REEL DRIVE VARIABLE SPEED	340434138	1	AP1001061	4014486496451
	FAN DRIVE	340435150	1	AP1001422	4014486459296
	ROTARY FILTER DRIVE	340435152	1	AP1001539	4014486460582
	FAN DRIVE	340435153	1	AP1001424	4014486459319
	CHOPPER DRIVE	344311151	1	AP1001717	4014486486995
	HYDRAULIC PUMP DRIVE	344311227	1	AP1001820	4014486488371
	POST CYLINDER VARIATOR DRIVE	344311318	1	AP1005160	4044978207234
	STRAW ELEVATOR DRIVE	344312128	1	AP1003623	4014486487503
		LA340433253	1	AP1000231	4014486520491
		LA340433262	1	AP1000244	4014486520156
	FAN DRIVE	LA340433405	1	AP1000554	4014486468472
	FAN RETURN DRIVE	LA340433539	1	AP1001120	4014486497069
		LA340433984	1	AP1001346	4014486474596
		LA340433984	1	AP1001346	4014486474596
	REEL DRIVE VARIABLE SPEED	LA340434138	1	AP1001061	4014486496451
	FAN DRIVE	LA340435150	1	AP1001422	4014486459296
	ROTARY FILTER DRIVE	LA340435152	1	AP1001539	4014486460582
	FAN DRIVE	LA340435153	1	AP1001424	4014486459319
	CHOPPER DRIVE	LA344311151	1	AP1001717	4014486486995
	HYDRAULIC PUMP DRIVE	LA344311227	1	AP1001820	4014486488371
	POST CYLINDER VARIATOR DRIVE	LA344311318	1	AP1005160	4044978207234
	STRAW ELEVATOR DRIVE	LA344312128	1	AP1003623	4014486487503
L 624					
1	POST CYLINDER VARIATOR DRIVE	344311318	1	AP1005160	4044978207234
1	POST CYLINDER VARIATOR DRIVE	LA344311318	1	AP1005160	4044978207234
2	STRAW ELEVATOR DRIVE	344311127	1	AP1001637	4014486485868
2	STRAW ELEVATOR DRIVE	344312128	1	AP1003623	4014486487503
2	STRAW ELEVATOR DRIVE	LA344311127	1	AP1001637	4014486485868
2	STRAW ELEVATOR DRIVE	LA344312128	1	AP1003623	4014486487503
3	AUGER DRIVE TAILINGS AND GRAIN	344311123	1	AP1001622	4014486485554
4	FAN RETURN DRIVE	340433539	1	AP1001120	4014486497069
4	FAN RETURN DRIVE	LA340433539	1	AP1001120	4014486497069
6	DISCHARGE DRIVE GRAIN TANK	340433475	1	AP1000588	4014486469110
7	ROTARY FILTER DRIVE	340433181	1	AP1003379	4014486461701
7	ROTARY FILTER DRIVE	LA340433181	1	AP1003379	4014486461701
9	FAN DRIVE	340435150	1	AP1001422	4014486459296
9	FAN DRIVE	LA340435150	1	AP1001422	4014486459296
11	CENTRAL RETURN DRIVE	340433984	1	AP1001346	4014486474596
11	CENTRAL RETURN DRIVE	LA340433984	1	AP1001346	4014486474596
12	REEL DRIVE VARIABLE SPEED	340434138	1	AP1001061	4014486496451
12	REEL DRIVE VARIABLE SPEED	LA340434138	1	AP1001061	4014486496451
14	COMPRESSOR DRIVE	340433131	1	AP1000106	4014486461091
18	CHOPPER DRIVE	344311130	1	AP1001652	4014486486056
19	CHOPPER DRIVE	344311151	1	AP1001717	4014486486995



L AVERDA

NR.	DRIVE	PART NUMBER	SET	AP NR.	EAN
19	CHOPPER DRIVE	LA344311151	1	AP1001717	4014486486995
20		340433151	1	AP1000124	4014486461367
22	HYDRAULIC PUMP DRIVE	344311227	1	AP1001820	4014486488371
22	HYDRAULIC PUMP DRIVE	LA344311227	1	AP1001820	4014486488371
36	FAN DRIVE	340433159	1	AP1000135	4014486461527
		340433253	1	AP1000231	4014486520491
		340433259	1	AP1000225	4014486463033
		340433262	1	AP1000244	4014486520156
		340433270	1	AP1000256	4014486464054
		340435153	1	AP1001424	4014486459319
		LA340433253	1	AP1000231	4014486520491
		LA340433262	1	AP1000244	4014486520156
		LA340435153	1	AP1001424	4014486459319
L 625					
2		340435124	2	AP1001468	4014486459784
14	CENTRAL RETURN DRIVE	340433984	1	AP1001346	4014486474596
36		340433159	1	AP1000135	4014486461527
		340433253	1	AP1000231	4014486520491
		340433262	1	AP1000244	4014486520156
		340433268	1	AP1000252	4014486463941
	FAN DRIVE	340433405	1	AP1000554	4014486468472
	DISCHARGE DRIVE GRAIN TANK	340433475	1	AP1000588	4014486469110
	FAN RETURN DRIVE	340433539	1	AP1001120	4014486497069
	REEL DRIVE VARIABLE SPEED	340434138	1	AP1001061	4014486496451
	FAN DRIVE	340435150	1	AP1001422	4014486459296
		340435153	1	AP1001424	4014486459319
	CHOPPER DRIVE	344311151	1	AP1001717	4014486486995
	HYDRAULIC PUMP DRIVE	344311227	1	AP1001820	4014486488371
	POST CYLINDER VARIATOR DRIVE	344311318	1	AP1005160	4044978207234
	STRAW ELEVATOR DRIVE	344312128	1	AP1003623	4014486487503
		340435120 K	1	AP1001468	4014486459784
		LA340433253	1	AP1000231	4014486520491
		LA340433262	1	AP1000244	4014486520156
	FAN DRIVE	LA340433405	1	AP1000554	4014486468472
	FAN RETURN DRIVE	LA340433539	1	AP1001120	4014486497069
		LA340433984	1	AP1001346	4014486474596
		LA340433984	1	AP1001346	4014486474596
	REEL DRIVE VARIABLE SPEED	LA340434138	1	AP1001061	4014486496451
		LA340435120 K	1	AP1001468	4014486459784
	FAN DRIVE	LA340435150	1	AP1001422	4014486459296
		LA340435153	1	AP1001424	4014486459319
	CHOPPER DRIVE	LA344311151	1	AP1001717	4014486486995
	HYDRAULIC PUMP DRIVE	LA344311227	1	AP1001820	4014486488371
	POST CYLINDER VARIATOR DRIVE	LA344311318	1	AP1005160	4044978207234
	STRAW ELEVATOR DRIVE	LA344312128	1	AP1003623	4014486487503
L 626					
1	POST CYLINDER VARIATOR DRIVE	344311318	1	AP1005160	4044978207234
1	POST CYLINDER VARIATOR DRIVE	LA344311318	1	AP1005160	4044978207234
2	STRAW ELEVATOR DRIVE	344311127	1	AP1001637	4014486485868
2	STRAW ELEVATOR DRIVE	344312128	1	AP1003623	4014486487503
2	STRAW ELEVATOR DRIVE	LA344311127	1	AP1001637	4014486485868
2	STRAW ELEVATOR DRIVE	LA344312128	1	AP1003623	4014486487503
3	AUGER DRIVE TAILINGS AND GRAIN	344311123	1	AP1001622	4014486485554
4	FAN RETURN DRIVE	340433539	1	AP1001120	4014486497069
4	FAN RETURN DRIVE	LA340433539	1	AP1001120	4014486497069



L AVERDA

NR.	DRIVE	PART NUMBER	SET	AP NR.	EAN
6	DISCHARGE DRIVE GRAIN TANK	340433475	1	AP1000588	4014486469110
7	ROTARY FILTER DRIVE	340433181	1	AP1003379	4014486461701
7	ROTARY FILTER DRIVE	LA340433181	1	AP1003379	4014486461701
9	FAN DRIVE	340435150	1	AP1001422	4014486459296
9	FAN DRIVE	LA340435150	1	AP1001422	4014486459296
11	CENTRAL RETURN DRIVE	340433984	1	AP1001346	4014486474596
11	CENTRAL RETURN DRIVE	LA340433984	1	AP1001346	4014486474596
12	REEL DRIVE VARIABLE SPEED	340434138	1	AP1001061	4014486496451
12	REEL DRIVE VARIABLE SPEED	LA340434138	1	AP1001061	4014486496451
14	COMPRESSOR DRIVE	340433131	1	AP1000106	4014486461091
18	CHOPPER DRIVE	344311130	1	AP1001652	4014486486056
19	CHOPPER DRIVE	344311151	1	AP1001717	4014486486995
19	CHOPPER DRIVE	LA344311151	1	AP1001717	4014486486995
20		340433151	1	AP1000124	4014486461367
22	HYDRAULIC PUMP DRIVE	344311227	1	AP1001820	4014486488371
22	HYDRAULIC PUMP DRIVE	LA344311227	1	AP1001820	4014486488371
36	FAN DRIVE	340433159	1	AP1000135	4014486461527
		340433253	1	AP1000231	4014486520491
		340433262	1	AP1000244	4014486520156
		340433270	1	AP1000256	4014486464054
		340433423	1	AP1000613	4014486469509
		340435153	1	AP1001424	4014486459319
		LA340433253	1	AP1000231	4014486520491
		LA340433262	1	AP1000244	4014486520156
		LA340435153	1	AP1001424	4014486459319
L 627 - INTEGRALE					
2	DRUM VARI - DRIVE	340435124	2	AP1001468	4014486459784
14	CENTRAL RETURN DRIVE	340433984	1	AP1001346	4014486474596
36		340433159	1	AP1000135	4014486461527
		340433253	1	AP1000231	4014486520491
		340433262	1	AP1000244	4014486520156
		340433268	1	AP1000252	4014486463941
	FAN DRIVE	340433405	1	AP1000554	4014486468472
	DISCHARGE DRIVE GRAIN TANK	340433475	1	AP1000588	4014486469110
	FAN RETURN DRIVE	340433539	1	AP1001120	4014486497069
	REEL DRIVE VARIABLE SPEED	340434138	1	AP1001061	4014486496451
	FAN DRIVE	340435150	1	AP1001422	4014486459296
		340435153	1	AP1001424	4014486459319
	CHOPPER DRIVE	344311151	1	AP1001717	4014486486995
	HYDRAULIC PUMP DRIVE	344311227	1	AP1001820	4014486488371
	POST CYLINDER VARIATOR DRIVE	344311318	1	AP1005160	4044978207234
	STRAW ELEVATOR DRIVE	344312128	1	AP1003623	4014486487503
		340435120 K	1	AP1001468	4014486459784
		LA340433253	1	AP1000231	4014486520491
		LA340433262	1	AP1000244	4014486520156
	FAN DRIVE	LA340433405	1	AP1000554	4014486468472
	FAN RETURN DRIVE	LA340433539	1	AP1001120	4014486497069
		LA340433984	1	AP1001346	4014486474596
		LA340433984	1	AP1001346	4014486474596
	REEL DRIVE VARIABLE SPEED	LA340434138	1	AP1001061	4014486496451
		LA340435120 K	1	AP1001468	4014486459784
	FAN DRIVE	LA340435150	1	AP1001422	4014486459296
		LA340435153	1	AP1001424	4014486459319
	CHOPPER DRIVE	LA344311151	1	AP1001717	4014486486995
	HYDRAULIC PUMP DRIVE	LA344311227	1	AP1001820	4014486488371
	POST CYLINDER VARIATOR DRIVE	LA344311318	1	AP1005160	4044978207234



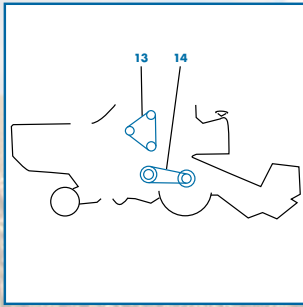
L AVERDA

NR.	DRIVE	PART NUMBER	SET	AP NR.	EAN
	STRAW ELEVATOR DRIVE	LA344312128	1	AP1003623	4014486487503
L 627 - MCS					
2	DRUM VARI - DRIVE	340435124	2	AP1001468	4014486459784
14	CENTRAL RETURN DRIVE	340433984	1	AP1001346	4014486474596
36		340433159	1	AP1000135	4014486461527
		340433253	1	AP1000231	4014486520491
		340433262	1	AP1000244	4014486520156
		340433268	1	AP1000252	4014486463941
	FAN DRIVE	340433405	1	AP1000554	4014486468472
	DISCHARGE DRIVE GRAIN TANK	340433475	1	AP1000588	4014486469110
	FAN RETURN DRIVE	340433539	1	AP1001120	4014486497069
	REEL DRIVE VARIABLE SPEED	340434138	1	AP1001061	4014486496451
	FAN DRIVE	340435150	1	AP1001422	4014486459296
		340435153	1	AP1001424	4014486459319
	CHOPPER DRIVE	344311151	1	AP1001717	4014486486995
	HYDRAULIC PUMP DRIVE	344311227	1	AP1001820	4014486488371
	POST CYLINDER VARIATOR DRIVE	344311318	1	AP1005160	4044978207234
	STRAW ELEVATOR DRIVE	344312128	1	AP1003623	4014486487503
		340435120 K	1	AP1001468	4014486459784
		LA340433253	1	AP1000231	4014486520491
		LA340433262	1	AP1000244	4014486520156
	FAN DRIVE	LA340433405	1	AP1000554	4014486468472
	FAN RETURN DRIVE	LA340433539	1	AP1001120	4014486497069
		LA340433984	1	AP1001346	4014486474596
		LA340433984	1	AP1001346	4014486474596
	REEL DRIVE VARIABLE SPEED	LA340434138	1	AP1001061	4014486496451
		LA340435120 K	1	AP1001468	4014486459784
	FAN DRIVE	LA340435150	1	AP1001422	4014486459296
		LA340435153	1	AP1001424	4014486459319
	CHOPPER DRIVE	LA344311151	1	AP1001717	4014486486995
	HYDRAULIC PUMP DRIVE	LA344311227	1	AP1001820	4014486488371
	POST CYLINDER VARIATOR DRIVE	LA344311318	1	AP1005160	4044978207234
	STRAW ELEVATOR DRIVE	LA344312128	1	AP1003623	4014486487503
L517					
13		340433422	1	AP1005145	4014486520514
L518					
	DRIVE VARIATOR FRAME	340433132	1	AP1000101	4014486461022
		340433179	1	AP1000149	4014486461688
		340433422	1	AP1005145	4044978203472
L520					
	DRIVE VARIATOR FRAME	340433132	1	AP1000101	4014486461022
		340433179	1	AP1000149	4014486461688
		340433422	1	AP1005145	4044978203472
L521					
13		340433422	1	AP1005145	4014486520514
L523-INTEGRALE					
		340433132	1	AP1000101	4014486461022
		340433179	1	AP1000149	4014486461688
		340433422	1	AP1005145	4044978203472

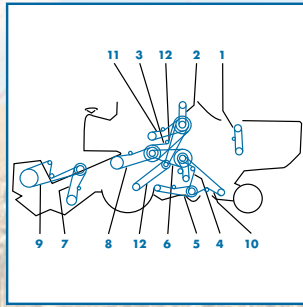


L A V E R D A

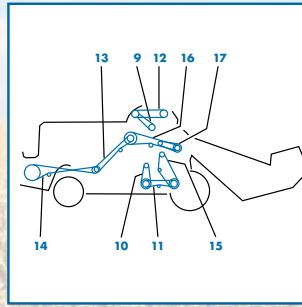
NR.	DRIVE	PART NUMBER	SET	AP NR.	EAN
L525-MCS					
		340433132	1	AP1000101	4014486461022
		340433179	1	AP1000149	4014486461688
		340433422	1	AP1005145	4044978203472
L624					
13		340433422	1	AP1005145	4014486520514
L625					
		340433132	1	AP1000101	4014486461022
		340433179	1	AP1000149	4014486461688
		340433422	1	AP1005145	4044978203472
L626					
13		340433422	1	AP1005145	4014486520514
L627-INTEGRALE					
		340433132	1	AP1000101	4014486461022
		340433179	1	AP1000149	4014486461688
		340433422	1	AP1005145	4044978203472
L627-MCS					
		340433132	1	AP1000101	4014486461022
		340433179	1	AP1000149	4014486461688
		340433422	1	AP1005145	4044978203472
M 100					
3	FAN DRIVE	340433289	1	AP1000302	
13	BEATER DRUM DRIVE	340435138	1	AP1004295	4014486683318
M 100 AL					
7	FAN DRIVE	340433289	1	AP1000302	
11	REEL DRIVE VARIABLE SPEED	340434140	1	AP1000999	4014486497229
12	BEATER DRUM DRIVE	340435138	1	AP1004295	4014486683318
M 112					
1	REEL DRIVE VARIABLE SPEED	340434140	1	AP1000999	4014486497229
8	FAN DRIVE	340433289	1	AP1000302	
11	FAN RETURN DRIVE	340433409	1	AP1000541	4014486468236
13	STRAW ELEVATOR DRIVE	340433531	1	AP1005102	4014486474053
14	REEL DRIVE	340433435	1	AP1000702	4014486470857
17	ROTARY FILTER DRIVE	340433134	1	AP1000107	4014486461114
17	ROTARY FILTER DRIVE	LA340433134	1	AP1000107	4014486461114
18	ROTARY FILTER DRIVE	340433162	1	AP1004273	4014486682878
19	CYLINDER VARIATOR DRIVE	340435146	1	AP1004271	4014486682861
M 112 AL					
2	STRAW ELEVATOR DRIVE	340433531	1	AP1005102	4014486474053
6	HYDROSTATIC PUMP DRIVE	344311212	1	AP1005048	4014486933949
7	ELEVATOR DRIVE UNIT	340433289	1	AP1000302	
9	CENTRAL RETURN DRIVE	340433537	1	AP1005213	4044978222725
11	FAN DRIVE	340433409	1	AP1000541	4014486468236
15	ROTARY FILTER DRIVE	340433134	1	AP1000107	4014486461114
15	ROTARY FILTER DRIVE	LA340433134	1	AP1000107	4014486461114
16	ROTARY FILTER DRIVE	340433162	1	AP1004273	4014486682878
17	CYLINDER VARIATOR DRIVE	340435146	1	AP1004271	4014486682861



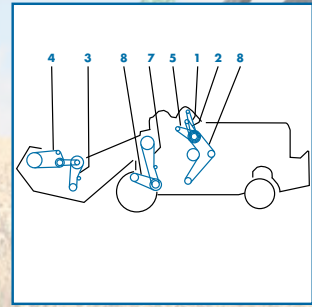
M 84 LEFT



M84 RIGHT



M 90 LEFT



M 90 RIGHT

LAVERDA

NR.	DRIVE	PART NUMBER	SET	AP NR.	EAN
18	REEL DRIVE VARIABLE SPEED	340434140	1	AP1000999	4014486497229
M 120					
1	REEL DRIVE	340433435	1	AP1000702	4014486470857
2	REEL DRIVE VARIABLE SPEED	340434140	1	AP1000999	4014486497229
3	ELEVATOR DRIVE (UPPER) SHAFT	340433531	1	AP1005102	4014486474053
7	CENTRAL RETURN DRIVE	340433537	1	AP1005213	4044978222725
14	BEATER DRUM DRIVE	340435117	2	AP1001161	4014486497427
M 132					
1	REEL DRIVE	340433435	1	AP1000702	4014486470857
2	REEL DRIVE VARIABLE SPEED	340434140	1	AP1000999	4014486497229
4	STRAW ELEVATOR DRIVE	340433531	1	AP1005102	4014486474053
9	CENTRAL RETURN DRIVE	340433537	1	AP1005213	4044978222725
10	FAN GRAIN TANK	340433289	1	AP1000302	
13	FAN DRIVE	340433409	1	AP1000541	4014486468236
17	ROTARY FILTER RETURN DRIVE	340433134	1	AP1000107	4014486461114
17	ROTARY FILTER RETURN DRIVE	LA340433134	1	AP1000107	4014486461114
18	ROTARY FILTER DRIVE	340433162	1	AP1004273	4014486682878
	ROTARY FILTER RETURN DRIVE	E38713	1	AP1000107	4014486461114
M 150					
1	REEL DRIVE	340433435	1	AP1000702	4014486470857
2	REEL DRIVE VARIABLE SPEED	340434140	1	AP1000999	4014486497229
3	STRAW ELEVATOR DRIVE	340433531	1	AP1005102	4014486474053
10	CENTRAL RETURN DRIVE	340433537	1	AP1005213	4044978222725
M 152					
1	REEL DRIVE VARIABLE SPEED	340434140	1	AP1000999	4014486497229
10	CENTRAL RETURN DRIVE	340433537	1	AP1005213	4044978222725
13	STRAW ELEVATOR DRIVE	340433531	1	AP1005102	4014486474053
14	REEL DRIVE	340433435	1	AP1000702	4014486470857
M 84					
1	FAN DRIVE (GRAIN)	340433131	1	AP1000106	4014486461091
10	STRAW WALKER DRIVE	340433970	1	AP1005061	4014486951950
12	TRACTION DRIVE	340435120	1	AP1001468	4014486459784
14	CYLINDER VARIATOR DRIVE (RICE)	340435138	1	AP1004295	4014486683318
M 90					
12	ELEVATOR DRIVE GRAIN	340433272	1	AP1000266	4014486464245
M 92					
5	TRACTION VARI-DRIVE	340435120	1	AP1001468	4014486459784
7	STRAW WALKER - AUGER DRIVE	340433970	1	AP1005061	4014486951950
12		340433174	1	AP1004931	4014486868517
14	CYLINDER VARI-DRIVE	340435138	1	AP1004295	4014486683318
MX 240					
		340434138	1	AP1001061	4014486496451
		LA340434138	1	AP1001061	4014486496451
18	DISTRIBUTION AUGER	344311113	1	AP1005129	4044978162960
MX 240 R					
		340434138	1	AP1001061	4014486496451
		LA340434138	1	AP1001061	4014486496451
18	DISTRIBUTION AUGER	344311113	1	AP1005129	4044978162960



L A V E R D A

NR. DRIVE		PART NUMBER	SET	AP NR.	EAN
MX 300					
9	CYLINDER DRIVE	344311127	1	AP1001637	4014486485868
9	CYLINDER DRIVE	LA344311127	1	AP1001637	4014486485868
10	CYLINDER DRIVE	344311137	1	AP1001679	4014486486483
11	HYDRAULIC PUMP DRIVE	344311227	1	AP1001820	4014486488371
11	HYDRAULIC PUMP DRIVE	LA344311227	1	AP1001820	4014486488371
18	DISTRIBUTION AUGER	344311113	1	AP1005129	4044978162960
		340434138	1	AP1001061	4014486496451
		LA340434138	1	AP1001061	4014486496451
MX 300 R					
		340434138	1	AP1001061	4014486496451
		344311227	1	AP1001820	4014486488371
		LA340434138	1	AP1001061	4014486496451
		LA344311227	1	AP1001820	4014486488371
18	DISTRIBUTION AUGER	344311113	1	AP1005129	4044978162960
MX240					
		340433422	1	AP1005145	4014486520514
MX240R					
		340433422	1	AP1005145	4014486520514
MX300					
		340433422	1	AP1005145	4014486520514
MX300R					
		340433422	1	AP1005145	4014486520514



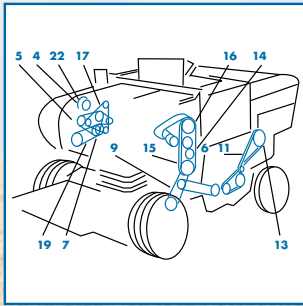
MASSEY FERGUSON

NR.	DRIVE	PART NUMBER	SET	AP NR.	EAN
		71320449	2	AP1005140	4044978203427
		71438552	1	AP1005163	4044978207098
		112366410100	1	AP1005144	
		117512510400	1	AP1005305	
		117522513800	1	AP1003232	
		117537513400	1	AP1001657	
		1483201M1	1	AP1000220	
		6313477M1	1	AP1005076	4044978005113
		038580T1	1	AP1005302	
		039229T1	1	AP1000703	
		063971T1	1	AP1000603	
		227986M2	1	AP1005141	4044978203434
		2833904M3	1	AP1005162	4044978207050
		3226971M1	1	AP1001510	
		3370141M1	1	AP1005129	4044978162960
		3654924M1	1	AP1002534	4014486494556
		3669118M1	1	AP1002556	4014486494983
		417441M1	1	AP1001471	4014486459814
		6203462M1	1	AP1003923	
		785810M1	1	AP1005140	4044978203427
		843760M1	1	AP1005148	4044978203502
		906424M2	1	AP1002584	
		ACW0529040	1	AP1005165	4044978207104
		V685081730	1	AP1002656	
24					
5		41958500	1	AP1000859	4014486472936
9		41955900	1	AP1000704	4014486470888
13		41935700	1	AP1000323	4014486465471
14		41988700	1	AP1000900	4014486473469
15		41926300	1	AP1000230	4014486463187
16		41930300	1	AP1000260	4014486464108
27					
8		41934800	3	AP1002768	4014486465228
10		41929000	1	AP1000251	4014486463897
10		D41929000	1	AP1000251	4014486463897
14		41936200	2	AP1002770	4014486465648
29					
8		41934800	3	AP1002768	4014486465228
14		41936200	2	AP1002770	4014486465648
31					
8		41934800	3	AP1002768	4014486465228
14		41936200	2	AP1002770	4014486465648
187					
1	TABLE FEEDER DRUM	1724154M1	1	AP1000647	4014486470079
1	TABLE FEEDER DRUM	417974M1	1	AP1000649	4014486470109
2	TANK UNLOADER DRIVE	621259M1	1	AP1000547	4014486468311
3	FANNING MILL (UPPER)	621261M1	1	AP1000284	4014486464641
4	HYDRAULIC PUMP DRIVE	417468M1	1	AP1003397	4014486462821
5	BEATER / THRESHER CONTROL	418232M1	1	no AP	
6	FANNING MILL	1721710M1	1	AP1002096	4014486475890
7	STRAW WALKER SHAKER	621258M1	1	AP1000346	4014486465983
8	TRACTION (UPPER)	905921M1	1	AP1004743	4014486720303

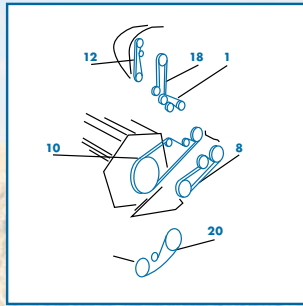


MASSEY FERGUSON

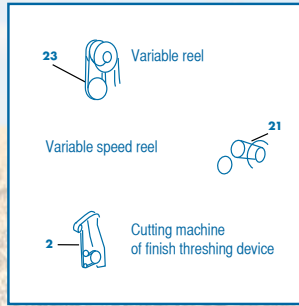
NR.	DRIVE	PART NUMBER	SET	AP NR.	EAN
240					
1	TABLE FEEDER DRUM	1724154M1	1	AP1000647	4014486470079
3	FANNING MILL (UPPER)	621261M1	1	AP1000284	4014486464641
5	BEATER DRIVE	418232M1	1	no AP	
7	STRAW WALKER SHAKER	621258M1	1	AP1000346	4014486465983
8	TRACTION (UPPER)	905921M1	1	AP1004743	4014486720303
9	TRACTION (LOWER)	905920M1	1	AP1001450	4014486459586
10	REDUCER	417972M1	1	AP1000885	4014486473261
12	KNIFE DRIVE	1722835M1	1	AP1000587	4014486469080
12	KNIFE DRIVE	402607M1	1	AP1003515	4014486469653
12	KNIFE DRIVE	410959M1	1	AP1000614	4014486469523
13	REEL DRIVE	1604401M1	1	AP1000370	4014486466331
15	FANNING MILL	621262M1	1	AP1000211	4014486462593
300					
2	CLEANING FAN DRIVE	832877M1	1	AP1000232	4014486463262
5	REEL DRIVE VARIABLE SPEED	833768M1	1	AP1001402	4014486459081
5	REEL DRIVE	834140M1	1	AP1000734	4014486471281
7	HYDRAULIC PUMP DRIVE	230381M1	1	AP1000538	4014486468199
8	KNIFE DRIVE	834058M1	1	AP1000598	4014486469301
8	KNIFE DRIVE	834190M1	1	AP1000597	4014486469295
10	TRACTION (LOWER) (GRAIN)	832789M3	1	AP1001442	4014486459500
12	REEL DRIVE COUNTERSHAFT	834139M1	1	AP1000567	4014486468748
18	TANK UNLOADER DRIVE	832878M1	1	AP1000596	4014486469257
	AUGER (GRAIN)	227984M1	1	AP1000731	4014486471250
	AIR CONDITIONING OR CLEAN FAN HIGH SPEED	834492M2	1	AP1000211	4014486462593
307					
1	TABLE FEEDER DRUM	1724154M1	1	AP1000647	4014486470079
3	FANNING MILL (UPPER)	621261M1	1	AP1000284	4014486464641
5	BEATER / THRESHER	1603701M1	1	AP1001641	4014486485936
5	BEATER / THRESHER	1720255M1	1	AP1001871	4014486489125
6	FANNING MILL / VARIATOR	621262M1	1	AP1000211	4014486462593
7	STRAW WALKER SHAKER	621258M1	1	AP1000346	4014486465983
8	TRACTION (LOWER)	905921M1	1	AP1004743	4014486720303
9	TRACTION (UPPER)	905920M1	1	AP1001450	4014486459586
10	CONTROL REDUCER UP TO 8.5 FEET / BAR	417972M1	1	AP1000885	4014486473261
12	KNIFE WOBBLE DRIVE	1722835M1	1	AP1000587	4014486469080
12	KNIFE UP TO 8.5 FEET (2.5 M)	402607M1	1	AP1003515	4014486469653
12	KNIFE FROM 10 FEET (2.2 M)	410959M1	1	AP1000614	4014486469523
13	REEL DRIVE	1604401M1	1	AP1000370	4014486466331
15	FANNING MILL	621262M1	1	AP1000211	4014486462593
400					
1	FANNING MILL	784797M2	1	AP1000214	4014486462708
3	FANNING MILL (UPPER)	1855008M1	1	AP1000572	4014486468809
5	HYDRAULIC PUMP DRIVE	832490M1	1	AP1001277	4014486474435
6	ALTERNATOR DRIVE	893575M1	1	AP1000060	4014486483802
7	DRIVE	793863M1	1	no AP	
10	RETURN DRIVE	795514M4	1	AP1000264	4014486464214
10	RETURN DRIVE	832538M1	1	AP1003431	4014486464313
11	SHAKER SHAFT DRIVE	1615254M1	1	AP1003999	4014486518887
11	SHAKER SHAFT DRIVE	320593M2	1	AP1001361	4014486474756
12	ELEVATOR DRIVE GRAIN	784796M2	1	AP1000731	4014486471250
15	REDUCER	789853M1	1	AP1001403	4014486459098
17	REEL DRIVE	1615333M1	1	AP1003997	4014486518856



510 - 515



510 - 515



510 - 515

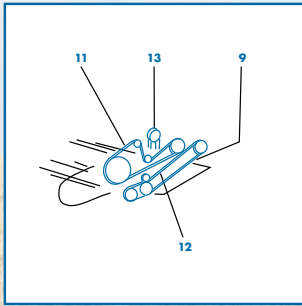
MASSEY FERGUSON

NR.	DRIVE	PART NUMBER	SET	AP NR.	EAN
17	REEL DRIVE	785810M1	1	AP1005140	4044978203427
440					
1	TABLE FEEDER DRUM	621588M1	1	AP1000668	4014486470352
3	FANNING MILL (UPPER)	621261M1	1	AP1000284	4014486464641
5	BEATER DRIVE	1720255M1	1	AP1001871	4014486489125
8	TRACTION (UPPER)	905921M1	1	AP1004743	4014486720303
9	TRACTION (LOWER)	905920M1	1	AP1001450	4014486459586
12	KNIFE DRIVE	410959M1	1	AP1000614	4014486469523
13	REEL DRIVE	1604401M1	1	AP1000370	4014486466331
15	FANNING MILL	621262M1	1	AP1000211	4014486462593
487					
2	VENTILATOR	621262M1	1	AP1000211	4014486462593
5	DEFLECTOR DRUM	1720255M1	1	AP1001871	4014486489125
6	OUTLET GRAIN	418192M1	1	AP1000547	4014486468311
7	BAR CONTROL	621588M1	1	AP1000668	4014486470352
500					
1	FANNING MILL	784797M2	1	AP1000214	4014486462708
3	FANNING MILL (UPPER)	1855008M1	1	AP1000572	4014486468809
5	HYDRAULIC PUMP DRIVE	230381M1	1	AP1000538	4014486468199
6	ALTERNATOR DRIVE	893575M1	1	AP1000060	4014486483802
7	DRIVE	793863M1	1	no AP	
10	RETURN DRIVE	832538M1	1	AP1003431	4014486464313
11	SHAKER SHAFT DRIVE	320593M2	1	AP1001361	4014486474756
12	ELEVATOR DRIVE GRAIN	784796M2	1	AP1000731	4014486471250
507					
2	VENTILATOR	621262M1	1	AP1000211	4014486462593
3	VENTILATOR	621261M1	1	AP1000284	4014486464641
4	STRAW SHAKER	621258M1	1	AP1000346	4014486465983
5	OUTLET GRAIN	905980M1	1	AP1001552	4014486484519
6	DEFLECTOR DRUM	1720205M3	1	AP1001889	4014486489460
7	BLADE CONTROL	410959M1	1	AP1000614	4014486469523
8	BAR CONTROL	621588M1	1	AP1000668	4014486470352
9	HYDRAULIC PUMP DRIVE	1720674M2	1	AP1000220	4014486462838
510					
1	FANNING MILL	784797M2	1	AP1000214	4014486462708
3	FANNING MILL (UPPER)	1855008M1	1	AP1000572	4014486468809
5	HYDRAULIC PUMP DRIVE	230381M1	1	AP1000538	4014486468199
6	ALTERNATOR DRIVE	893575M1	1	AP1000060	4014486483802
7	DRIVE	793863M1	1	no AP	
10	RETURN DRIVE	795514M4	1	AP1000264	4014486464214
10	RETURN DRIVE	795582M2	1	AP1000249	4014486463828
11	SHAKER SHAFT DRIVE	1615254M1	1	AP1003999	4014486518887
12	ELEVATOR DRIVE GRAIN	784796M2	1	AP1000731	4014486471250
16	KNIFE DRIVE	785585M3	1	AP1000598	4014486469301
17	REEL DRIVE	1615254M1	1	AP1003999	4014486518887
17	REEL DRIVE	1615333M1	1	AP1003997	4014486518856
515					
1	FANNING MILL	784797M2	1	AP1000214	4014486462708
3	FANNING MILL (UPPER)	1855008M1	1	AP1000572	4014486468809
5	HYDRAULIC PUMP DRIVE	230381M1	1	AP1000538	4014486468199
6	ALTERNATOR DRIVE	893575M1	1	AP1000060	4014486483802

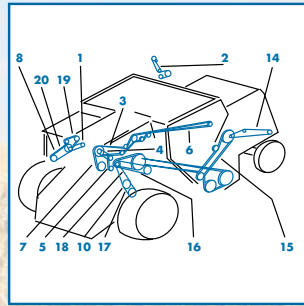


MASSEY FERGUSON

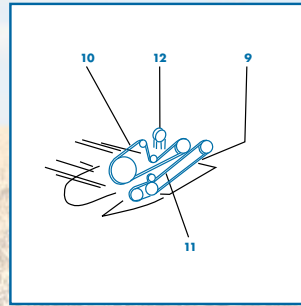
NR.	DRIVE	PART NUMBER	SET	AP NR.	EAN
7	DRIVE	793863M1	1	no AP	
10	RETURN DRIVE	795514M4	1	AP1000264	4014486464214
10	RETURN DRIVE	795582M2	1	AP1000249	4014486463828
11	SHAKER SHAFT DRIVE	1615254M1	1	AP1003999	4014486518887
12	ELEVATOR DRIVE GRAIN	784796M2	1	AP1000731	4014486471250
16	KNIFE DRIVE	785585M3	1	AP1000598	4014486469301
17	REEL DRIVE	1615254M1	1	AP1003999	4014486518887
17	REEL DRIVE	1615333M1	1	AP1003997	4014486518856
520					
1	FANNING MILL	1616477M1	1	AP1000211	4014486462593
1	FANNING MILL	784797M2	1	AP1000214	4014486462708
2	TANK UNLOADER DRIVE	619317M2	1	AP1000563	4014486468656
3	FANNING MILL (UPPER)	785585M3	1	AP1000598	4014486469301
3	FANNING MILL (UPPER)	789853M1	1	AP1001403	4014486459098
6	ALTERNATOR DRIVE	893575M1	1	AP1000060	4014486483802
7	DRIVE	789967M1	1	AP1000986	4014486498066
8	MAIN BELT	789930M1	1	AP1002617	4014486498080
9	MULTI FLOW	784170M2	1	AP1000425	4014486466881
10	RETURN DRIVE	795514M4	1	AP1000264	4014486464214
10	RETURN DRIVE	795582M2	1	AP1000249	4014486463828
11	SHAKER SHAFT DRIVE	1615254M1	1	AP1003999	4014486518887
12	ELEVATOR DRIVE GRAIN	784796M2	1	AP1000731	4014486471250
15	REDUCER	789853M1	1	AP1001403	4014486459098
16	KNIFE DRIVE	785585M3	1	AP1000598	4014486469301
17	REEL DRIVE	1615333M1	1	AP1003997	4014486518856
17	REEL DRIVE	785810M1	1	AP1005140	4044978203427
525					
1	FANNING MILL	1616477M1	1	AP1000211	4014486462593
1	FANNING MILL	784797M2	1	AP1000214	4014486462708
2	TANK UNLOADER DRIVE	619317M2	1	AP1000563	4014486468656
3	FANNING MILL (UPPER)	785585M3	1	AP1000598	4014486469301
3	FANNING MILL (UPPER)	789853M1	1	AP1001403	4014486459098
6	ALTERNATOR DRIVE	893575M1	1	AP1000060	4014486483802
7	DRIVE	789967M1	1	AP1000986	4014486498066
8	MAIN BELT	789930M1	1	AP1002617	4014486498080
9	MULTI FLOW	784170M2	1	AP1000425	4014486466881
10	RETURN DRIVE	795514M4	1	AP1000264	4014486464214
10	RETURN DRIVE	795582M2	1	AP1000249	4014486463828
11	SHAKER SHAFT DRIVE	1615254M1	1	AP1003999	4014486518887
12	ELEVATOR DRIVE GRAIN	784796M2	1	AP1000731	4014486471250
15	REDUCER	789853M1	1	AP1001403	4014486459098
16	KNIFE DRIVE	785585M3	1	AP1000598	4014486469301
17	REEL DRIVE	1615333M1	1	AP1003997	4014486518856
17	REEL DRIVE	785810M1	1	AP1005140	4044978203427



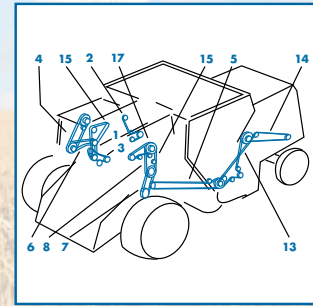
540



540



550



550

MASSEY FERGUSON

NR.	DRIVE	PART NUMBER	SET	AP NR.	EAN
530					
1	FANNING MILL	784797M2	1	AP1000214	4014486462708
2	TANK UNLOADER DRIVE	3370141M1	1	AP1005129	4044978162960
3	FANNING MILL (UPPER)	785585M3	1	AP1000598	4014486469301
8	MAIN BELT	789930M1	1	AP1002617	4014486498080
9	MULTI FLOW	795582M2	1	AP1000249	4014486463828
10	RETURN DRIVE	795514M4	1	AP1000264	4014486464214
11	SHAKER SHAFT DRIVE	1615254M1	1	AP1003999	4014486518887
12	ELEVATOR DRIVE GRAIN	784796M2	1	AP1000731	4014486471250
16	KNIFE DRIVE	1724154M1	1	AP1000647	4014486470079
17	REEL DRIVE	843313M1	1	AP1001016	4014486497991
535					
1	FANNING MILL	784797M2	1	AP1000214	4014486462708
2	TANK UNLOADER DRIVE	3370141M1	1	AP1005129	4044978162960
3	FANNING MILL (UPPER)	785585M3	1	AP1000598	4014486469301
8	MAIN BELT	789930M1	1	AP1002617	4014486498080
9	MULTI FLOW	795582M2	1	AP1000249	4014486463828
10	RETURN DRIVE	795514M4	1	AP1000264	4014486464214
11	SHAKER SHAFT DRIVE	1615254M1	1	AP1003999	4014486518887
12	ELEVATOR DRIVE GRAIN	784796M2	1	AP1000731	4014486471250
16	KNIFE DRIVE	1724154M1	1	AP1000647	4014486470079
17	REEL DRIVE	843313M1	1	AP1001016	4014486497991
540					
1	AIR CONDITIONING COMPRESSOR DRIVE	843045M1	1	AP1002543	4014486494723
2	AUXILIARY CYLINDER (SLINGER)	834332M1	1	AP1000304	4014486465075
3	CHOPPER DRIVE - HIGH SPEED	843760M1	1	AP1005148	4044978203502
4	CLEANING FAN DRIVE	832877M1	1	AP1000232	4014486463262
8	AIR INTAKE DRIVE	240575M2	1	AP1002298	4014486479867
9	KNIFE WOBBLE - FLOATING CUT BAR	833962M1	1	AP1004120	4014486522945
9	KNIFE WOBBLE - RIGID CUT BAR	834190M1	1	AP1000597	4014486469295
10	BEATER (REAR) OR STRAW CHOPPER	843747M1	1	AP1000827	4014486472547
11	REEL DRIVE	834140M1	1	AP1000734	4014486471281
12	REEL DRIVE COUNTERSHAFT	834139M1	1	AP1000567	4014486468748
13	REEL DRIVE VARIABLE SPEED	833768M1	1	AP1001402	4014486459081
16	TANK UNLOADER DRIVE	832878M1	1	AP1000596	4014486469257
17	TRACTION (LOWER)	843732M2	1	AP1001443	4014486459517
18	TRACTION (UPPER)	844091M1	1	AP1001445	4014486459531
19	ALTERNATOR, FAN AND WATERPUMP DRIVE	532779M92	2	AP1002933	4014486493757
20	HYDRAULIC PUMP DRIVE	230380M1	1	AP1000541	4014486468236
550					
1	CLEANING FAN - COUNTERSHAFT	227457M1	1	AP1000572	4014486468809
2	AUXILIARY CYLINDER (SLINGER)	834332M1	1	AP1000304	4014486465075
3	CLEANING FAN DRIVE	227976M1	1	AP1000214	4014486462708
3	CLEANING FAN - HIGH SPEED	834492M2	1	AP1000211	4014486462593
5	AUGER (GRAIN)	227984M1	1	AP1000731	4014486471250
6	HYDRAULIC PUMP DRIVE	843737M1	1	AP1000216	4014486462777
7	HYDROSTATIC DRIVE (LOWER)	834176M1	1	AP1001806	4014486488173
8	HYDROSTATIC DRIVE (UPPER)	834175M1	1	AP1001842	4014486488715
9	KNIFE WOBBLE - FLOATING CUT BAR	833962M1	1	AP1004120	4014486522945
9	KNIFE WOBBLE - CENTERED CHAIN DRIVE	834058M1	1	AP1000598	4014486469301
9	KNIFE WOBBLE - RIGID CUT BAR	834190M1	1	AP1000597	4014486469295
10	REEL DRIVE	834140M1	1	AP1000734	4014486471281
11	REEL DRIVE COUNTERSHAFT	834139M1	1	AP1000567	4014486468748



MASSEY FERGUSON

NR.	DRIVE	PART NUMBER	SET	AP NR.	EAN
12	REEL DRIVE VARIABLE SPEED	833768M1	1	AP1001402	4014486459081
13	RETURN AUGER AND WALKER	227986M2	1	AP1005141	4044978203434
15	TANK UNLOADER DRIVE	228813M3	1	AP1000543	4014486468250
16	ALTERNATOR, FAN AND WATERPUMP DRIVE	532779M92	2	AP1002933	4014486493757
	CHOPPER DRIVE	1051235M1	1	AP1000878	4014486473186
	STRAW CHOPPER CORN KIT - LOW SPEED	842935M1	1	AP1000538	4014486468199
560					
1	FANNING MILL	3043153M1	1	AP1001399	4014486459050
1	FANNING MILL	3043154M1	1	AP1001398	4014486459043
2	TANK UNLOADER DRIVE	3370141M1	1	AP1005129	4044978162960
3	FANNING MILL (UPPER)	785585M3	1	AP1000598	4014486469301
5	HYDRAULIC PUMP DRIVE	843313M1	1	AP1001016	4014486497991
6	ALTERNATOR DRIVE	1687531M1	1	AP1002558	4014486495034
7	DRIVE	789967M1	1	AP1000986	4014486498066
8	MAIN BELT	789930M1	1	AP1002617	4014486498080
8	MAIN BELT	789931M1	1	AP1002616	4014486498073
10	RETURN DRIVE	795514M4	1	AP1000264	4014486464214
10	RETURN DRIVE	795582M2	1	AP1000249	4014486463828
11	SHAKER SHAFT DRIVE	1615254M1	1	AP1003999	4014486518887
12	ELEVATOR DRIVE GRAIN	784796M2	1	AP1000731	4014486471250
15	REDUCER	789853M1	1	AP1001403	4014486459098
16	KNIFE DRIVE	1724154M1	1	AP1000647	4014486470079
17	REEL DRIVE	843313M1	1	AP1001016	4014486497991
565					
1	FANNING MILL	3043153M1	1	AP1001399	4014486459050
1	FANNING MILL	3043154M1	1	AP1001398	4014486459043
2	TANK UNLOADER DRIVE	3370141M1	1	AP1005129	4044978162960
3	FANNING MILL (UPPER)	785585M3	1	AP1000598	4014486469301
5	HYDRAULIC PUMP DRIVE	843313M1	1	AP1001016	4014486497991
6	ALTERNATOR DRIVE	1687531M1	1	AP1002558	4014486495034
7	DRIVE	789967M1	1	AP1000986	4014486498066
8	MAIN BELT	789930M1	1	AP1002617	4014486498080
8	MAIN BELT	789931M1	1	AP1002616	4014486498073
10	RETURN DRIVE	795514M4	1	AP1000264	4014486464214
10	RETURN DRIVE	795582M2	1	AP1000249	4014486463828
11	SHAKER SHAFT DRIVE	1615254M1	1	AP1003999	4014486518887
12	ELEVATOR DRIVE GRAIN	784796M2	1	AP1000731	4014486471250
15	REDUCER	789853M1	1	AP1001403	4014486459098
16	KNIFE DRIVE	1724154M1	1	AP1000647	4014486470079
17	REEL DRIVE	843313M1	1	AP1001016	4014486497991
620					
1	FANNING MILL	1616477M1	1	AP1000211	4014486462593
1	FANNING MILL	784797M2	1	AP1000214	4014486462708
2	TANK UNLOADER DRIVE	619317M2	1	AP1000563	4014486468656
3	FANNING MILL (UPPER)	785585M3	1	AP1000598	4014486469301
3	FANNING MILL (UPPER)	789853M1	1	AP1001403	4014486459098
6	ALTERNATOR DRIVE	893575M1	1	AP1000060	4014486483802
7	DRIVE	789967M1	1	AP1000986	4014486498066
8	MAIN BELT	789930M1	1	AP1002617	4014486498080
9	MULTI FLOW	784170M2	1	AP1000425	4014486466881
10	RETURN DRIVE	795514M4	1	AP1000264	4014486464214
10	RETURN DRIVE	795582M2	1	AP1000249	4014486463828
11	SHAKER SHAFT DRIVE	1615254M1	1	AP1003999	4014486518887
12	ELEVATOR DRIVE GRAIN	784796M2	1	AP1000731	4014486471250



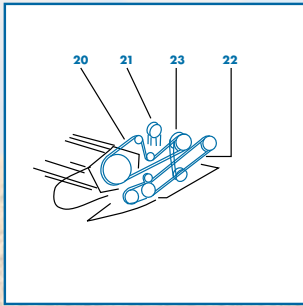
MASSEY FERGUSON

NR.	DRIVE	PART NUMBER	SET	AP NR.	EAN
15	REDUCER	789853M1	1	AP1001403	4014486459098
16	KNIFE DRIVE	785585M3	1	AP1000598	4014486469301
17	REEL DRIVE	1615333M1	1	AP1003997	4014486518856
17	REEL DRIVE	785810M1	1	AP1005140	4044978203427
625					
1	FANNING MILL	1616477M1	1	AP1000211	4014486462593
1	FANNING MILL	784797M2	1	AP1000214	4014486462708
2	TANK UNLOADER DRIVE	619317M2	1	AP1000563	4014486468656
3	FANNING MILL (UPPER)	785585M3	1	AP1000598	4014486469301
3	FANNING MILL (UPPER)	789853M1	1	AP1001403	4014486459098
6	ALTERNATOR DRIVE	893575M1	1	AP1000060	4014486483802
7	DRIVE	789967M1	1	AP1000986	4014486498066
8	MAIN BELT	789930M1	1	AP1002617	4014486498080
9	MULTI FLOW	784170M2	1	AP1000425	4014486466881
10	RETURN DRIVE	795514M4	1	AP1000264	4014486464214
10	RETURN DRIVE	795582M2	1	AP1000249	4014486463828
11	SHAKER SHAFT DRIVE	1615254M1	1	AP1003999	4014486518887
12	ELEVATOR DRIVE GRAIN	784796M2	1	AP1000731	4014486471250
15	REDUCER	789853M1	1	AP1001403	4014486459098
16	KNIFE DRIVE	785585M3	1	AP1000598	4014486469301
17	REEL DRIVE	1615333M1	1	AP1003997	4014486518856
17	REEL DRIVE	785810M1	1	AP1005140	4044978203427
660					
1	FANNING MILL	3043153M1	1	AP1001399	4014486459050
1	FANNING MILL	3043154M1	1	AP1001398	4014486459043
2	TANK UNLOADER DRIVE	3370141M1	1	AP1005129	4044978162960
3	FANNING MILL (UPPER)	785585M3	1	AP1000598	4014486469301
5	HYDRAULIC PUMP DRIVE	843313M1	1	AP1001016	4014486497991
6	ALTERNATOR DRIVE	1687531M1	1	AP1002558	4014486495034
7	DRIVE	789967M1	1	AP1000986	4014486498066
8	MAIN BELT	789930M1	1	AP1002617	4014486498080
8	MAIN BELT	789931M1	1	AP1002616	4014486498073
10	RETURN DRIVE	795514M4	1	AP1000264	4014486464214
10	RETURN DRIVE	795582M2	1	AP1000249	4014486463828
11	SHAKER SHAFT DRIVE	1615254M1	1	AP1003999	4014486518887
12	ELEVATOR DRIVE GRAIN	784796M2	1	AP1000731	4014486471250
15	REDUCER	789853M1	1	AP1001403	4014486459098
16	KNIFE DRIVE	1724154M1	1	AP1000647	4014486470079
17	REEL DRIVE	843313M1	1	AP1001016	4014486497991
665					
1	FANNING MILL	3043153M1	1	AP1001399	4014486459050
1	FANNING MILL	3043154M1	1	AP1001398	4014486459043
2	TANK UNLOADER DRIVE	3370141M1	1	AP1005129	4044978162960
3	FANNING MILL (UPPER)	785585M3	1	AP1000598	4014486469301
5	HYDRAULIC PUMP DRIVE	843313M1	1	AP1001016	4014486497991
6	ALTERNATOR DRIVE	1687531M1	1	AP1002558	4014486495034
7	DRIVE	789967M1	1	AP1000986	4014486498066
8	MAIN BELT	789930M1	1	AP1002617	4014486498080
8	MAIN BELT	789931M1	1	AP1002616	4014486498073
10	RETURN DRIVE	795514M4	1	AP1000264	4014486464214
10	RETURN DRIVE	795582M2	1	AP1000249	4014486463828
11	SHAKER SHAFT DRIVE	1615254M1	1	AP1003999	4014486518887
12	ELEVATOR DRIVE GRAIN	784796M2	1	AP1000731	4014486471250
15	REDUCER	789853M1	1	AP1001403	4014486459098

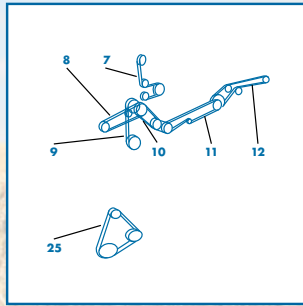


MASSEY FERGUSON

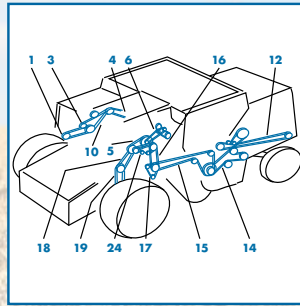
NR.	DRIVE	PART NUMBER	SET	AP NR.	EAN
16	KNIFE DRIVE	1724154M1	1	AP1000647	4014486470079
17	REEL DRIVE	843313M1	1	AP1001016	4014486497991
750					
1	HYDRAULIC PUMP DRIVE (MECHANICAL SERIAL NR. 5387 - ...)	222882M2	1	AP1000232	4014486463262
2	RADIATOR FAN (MECHANICAL SERIAL NR. 1979-5387)	259047M91	2	AP1000131	4014486461473
2	RADIATOR FAN DRIVE	265522M91	2	AP1000133	4014486461497
4	AIR CONDITIONING COMPRESSOR DRIVE	1686883M1	1	AP1002534	4014486494556
4	AIR CONDITIONING COMPRESSOR DRIVE (SERIAL NR. 9674 - ...)	834492M2	1	AP1000211	4014486462593
4	AIR CONDITIONING COMPRESSOR DRIVE (SERIAL NR. 9674 - ...)	843045M1	1	AP1002543	4014486494723
5	MAIN DRIVE	833874M1	1	AP1001848	4014486488791
7	RETURN ELEVATOR DRIVE	833854M2	1	AP1000335	4014486465754
8	CYLINDER	833868M2	1	AP1001483	4014486459937
10	STRAW CHOPPER (SERIAL NR. ... - 16539)	833871M1	1	AP1001747	4014486485417
10	STRAW CHOPPER (SERIAL NR. 16539 - ...)	843948M1	1	AP1001451	4014486459593
11	STRAW CHOPPER (SERIAL NR. 16539 - ...)	843747M1	1	AP1000827	4014486472547
12	STRAW CHOPPER DRIVE (SERIAL NR. 16539 - ...)	832906M1	1	AP1000758	4014486471595
12	STRAW CHOPPER DRIVE (SERIAL NR. ... - 16539)	833872M1	1	AP1000762	4014486471632
12	STRAW CHOPPER DRIVE	843760M1	1	AP1005148	4044978203502
14	STRAW WALKER DRIVE	833855M1	1	AP1000419	4014486466829
14	STRAW WALKER DRIVE	843310M1	1	AP1000429	4014486466935
15	SHAKER SHOE DRIVE	273757M91	2	AP1000381	4014486466447
16	SHAKER SHOE - COUNTERSHAFT - FAN (SERIAL NR. ... - 15716)	274015M91	1	AP1003436	4014486464795
16	SHAKER SHOE - COUNTERSHAFT - FAN (SERIAL NR. 15716 - ...)	281560M91	2	AP1000292	4014486464825
17	CLEANING FAN DRIVE	833863M1	1	AP1001400	4014486459067
18	TRACTION (UPPER)	833856M1	1	no AP	
18	TRACTION (UPPER)	833858M4	1	no AP	
18	HYDROSTATIC TRACTION DRIVE (UPPER)	844077M1	1	no AP	
19	TRACTION (LOWER)	833858M4	1	no AP	
20	REEL DRIVE	834140M1	1	AP1000734	4014486471281
21	REEL DRIVE VARIABLE SPEED	833768M1	1	AP1001402	4014486459081
22	KNIFE WOBBLE DRIVE	834190M1	1	AP1000597	4014486469295
22	WOBBLE BOX DRIVE	842809M1	1	AP1000700	4014486470833
23	REEL DRIVE COUNTERSHAFT	834139M1	1	AP1000567	4014486468748
24	DISCHARGE DRIVE GRAIN TANK	833873M1	1	AP1001568	4014486484717
755					
1	HYDRAULIC PUMP DRIVE (MECHANICAL SERIAL NR. 5387 - ...)	222882M2	1	AP1000232	4014486463262
2	RADIATOR FAN (MECHANICAL SERIAL NR. 1979-5387)	259047M91	2	AP1000131	4014486461473
2	RADIATOR FAN DRIVE	265522M91	2	AP1000133	4014486461497
4	AIR CONDITIONING COMPRESSOR DRIVE	1686883M1	1	AP1002534	4014486494556
4	AIR CONDITIONING COMPRESSOR DRIVE (SERIAL NR. 9674 - ...)	834492M2	1	AP1000211	4014486462593
4	AIR CONDITIONING COMPRESSOR DRIVE (SERIAL NR. 9674 - ...)	843045M1	1	AP1002543	4014486494723
5	MAIN DRIVE	833874M1	1	AP1001848	4014486488791
7	RETURN ELEVATOR DRIVE	833854M2	1	AP1000335	4014486465754
8	CYLINDER	833868M2	1	AP1001483	4014486459937
10	STRAW CHOPPER (SERIAL NR. ... - 16539)	833871M1	1	AP1001747	4014486485417
10	STRAW CHOPPER (SERIAL NR. 16539 - ...)	843948M1	1	AP1001451	4014486459593
11	STRAW CHOPPER (SERIAL NR. 16539 - ...)	843747M1	1	AP1000827	4014486472547
12	STRAW CHOPPER DRIVE (SERIAL NR. 16539 - ...)	832906M1	1	AP1000758	4014486471595
12	STRAW CHOPPER DRIVE (SERIAL NR. ... - 16539)	833872M1	1	AP1000762	4014486471632
12	STRAW CHOPPER DRIVE	843760M1	1	AP1005148	4044978203502
14	STRAW WALKER DRIVE	833855M1	1	AP1000419	4014486466829
14	STRAW WALKER DRIVE	843310M1	1	AP1000429	4014486466935
15	SHAKER SHOE DRIVE	273757M91	2	AP1000381	4014486466447
16	SHAKER SHOE - COUNTERSHAFT - FAN (SERIAL NR. ... - 15716)	274015M91	1	AP1003436	4014486464795
16	SHAKER SHOE - COUNTERSHAFT - FAN (SERIAL NR. 15716 - ...)	281560M91	2	AP1000292	4014486464825



760



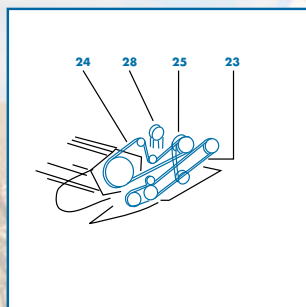
760



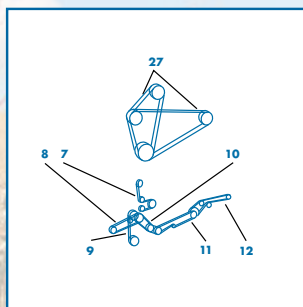
760

MASSEY FERGUSON

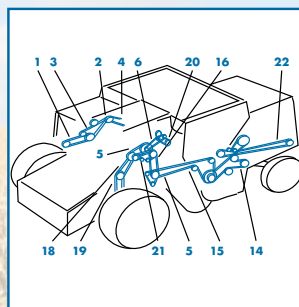
NR.	DRIVE	PART NUMBER	SET	AP NR.	EAN
17	CLEANING FAN DRIVE	833863M1	1	AP1001400	4014486459067
18	TRACTION (UPPER)	833856M1	1	no AP	
18	TRACTION (UPPER)	833858M4	1	no AP	
18	HYDROSTATIC TRACTION DRIVE (UPPER)	844077M1	1	no AP	
19	TRACTION (LOWER)	833858M4	1	no AP	
20	REEL DRIVE	834140M1	1	AP1000734	4014486471281
21	REEL DRIVE VARIABLE SPEED	833768M1	1	AP1001402	4014486459081
22	KNIFE WOBBLE DRIVE	834190M1	1	AP1000597	4014486469295
22	WOBBLE BOX DRIVE	842809M1	1	AP1000700	4014486470833
23	REEL DRIVE COUNTERSHAFT	834139M1	1	AP1000567	4014486468748
24	DISCHARGE DRIVE GRAIN TANK	833873M1	1	AP1001568	4014486484717
760					
1	REEL DRIVE	834139M1	1	AP1000567	4014486468748
2	SELECTOR	834058M1	1	AP1000598	4014486469301
3	REEL DRIVE	834140M1	1	AP1000734	4014486471281
5	ALTERNATOR DRIVE II	273837M91	1	AP1002490	4014486493931
7	AIR ASPIRATOR	833867M1	1	AP1000119	4014486461305
9	FAN DRIVE	274339M91	1	AP1000128	4014486461428
10	STRAW CUTTER	833871M1	1	AP1001747	4014486485417
11	CENTRAL TRANSMISSION	833865M1	1	AP1001973	4014486490886
12	AIR CONDITIONING COMPRESSOR DRIVE	834492M2	1	AP1000211	4014486462593
14	VENTILATOR	274015M91	1	AP1003436	4014486464795
15	ELEVATOR DRIVE UNIT	833854M2	1	AP1000335	4014486465754
16	BEATER DRIVE	273757M91	2	AP1000381	4014486466447
18	STRAW CUTTER	833872M1	1	AP1000762	4014486471632
19	STRAW SHAKER	833860M1	1	AP1000819	4014486472455
22	VENTILATOR	833863M1	1	AP1001400	4014486459067
850					
2	RADIATOR FAN DRIVE	265522M91	2	AP1000133	4014486461497
4	AIR CONDITIONING COMPRESSOR DRIVE	3386214M1	1	AP1002541	4014486494693
4	AIR CONDITIONING COMPRESSOR DRIVE	521110M1	1	AP1002531	4014486494501
4	AIR CONDITIONING COMPRESSOR DRIVE (SERIAL NR. ... - 25658)	529964M1	1	AP1002534	4014486494556
5	MAIN DRIVE - 3 BAND	833874M1	1	AP1001848	4014486488791
7	RETURN ELEVATOR DRIVE	833854M2	1	AP1000335	4014486465754
8	CYLINDER DRIVE	833868M2	1	AP1001483	4014486459937
10	STRAW CHOPPER (FRONT)	843948M1	1	AP1001451	4014486459593
11	STRAW CHOPPER (CENTER)	843747M1	1	AP1000827	4014486472547
12	STRAW CHOPPER (REAR)	843760M1	1	AP1005148	4044978203502
14	STRAW WALKER DRIVE	843310M1	1	AP1000429	4014486466935
15	SHAKER SHOE DRIVE	273757M91	2	AP1000381	4014486466447
17	CLEANING FAN DRIVE	833863M1	1	AP1001400	4014486459067
18	TRACTION (UPPER) - 4 SPEED	833858M4	1	no AP	
18	HYDROSTATIC TRACTION DRIVE (UPPER)	844077M1	1	no AP	
21	TANK UNLOADER DRIVE	833873M1	1	AP1001568	4014486484717
23	WOBBLE BOX - FLOATING CUT BAR 22 FEET	227455M1	1	AP1000698	4014486470802
23	WOBBLE BOX - FLOATING CUT BAR 15 FEET - 20 FEET	833962M1	1	AP1004120	4014486522945
23	WOBBLE BOX - RIGID CUT BAR 15 FEET - 20 FEET TABLE	834190M1	1	AP1000597	4014486469295
24	REEL DRIVE	834140M1	1	AP1000734	4014486471281
25	REEL DRIVE COUNTERSHAFT	834139M1	1	AP1000567	4014486468748
26	REEL DRIVE VARIABLE SPEED	833768M1	1	AP1001402	4014486459081
855					
2	RADIATOR FAN DRIVE	265522M91	2	AP1000133	4014486461497
4	AIR CONDITIONING COMPRESSOR DRIVE	3386214M1	1	AP1002541	4014486494693
4	AIR CONDITIONING COMPRESSOR DRIVE	521110M1	1	AP1002531	4014486494501



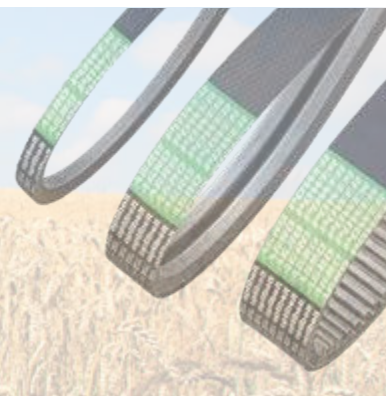
860



860



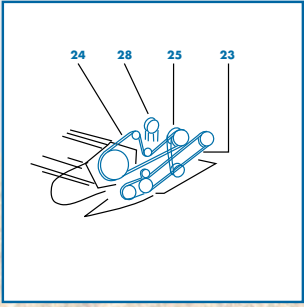
860



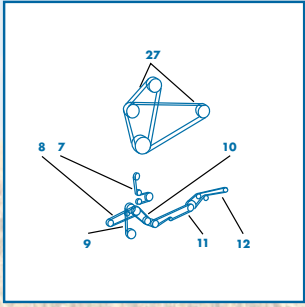
MASSEY FERGUSON

NR.	DRIVE	PART NUMBER	SET	AP NR.	EAN
4	AIR CONDITIONING COMPRESSOR DRIVE (SERIAL NR. ... - 25658)	529964M1	1	AP1002534	4014486494556
5	MAIN DRIVE - 3 BAND	833874M1	1	AP1001848	4014486488791
7	RETURN ELEVATOR DRIVE	833854M2	1	AP1000335	4014486465754
8	CYLINDER DRIVE	833868M2	1	AP1001483	4014486459937
10	STRAW CHOPPER (FRONT)	843948M1	1	AP1001451	4014486459593
11	STRAW CHOPPER (CENTER)	843747M1	1	AP1000827	4014486472547
12	STRAW CHOPPER (REAR)	843760M1	1	AP1005148	4044978203502
14	STRAW WALKER DRIVE	843310M1	1	AP1000429	4014486466935
15	SHAKER SHOE DRIVE	273757M91	2	AP1000381	4014486466447
17	CLEANING FAN DRIVE	833863M1	1	AP1001400	4014486459067
18	TRACTION (UPPER) - 4 SPEED	833858M4	1	no AP	
18	HYDROSTATIC TRACTION DRIVE (UPPER)	844077M1	1	no AP	
21	TANK UNLOADER DRIVE	833873M1	1	AP1001568	4014486484717
23	WOBBLE BOX - FLOATING CUT BAR 22 FEET	227455M1	1	AP1000698	4014486470802
23	WOBBLE BOX - FLOATING CUT BAR 15 FEET - 20 FEET	833962M1	1	AP1004120	4014486522945
23	WOBBLE BOX - RIGID CUT BAR 15 FEET - 20 FEET TABLE	834190M1	1	AP1000597	4014486469295
24	REEL DRIVE	834140M1	1	AP1000734	4014486471281
25	REEL DRIVE COUNTERSHAFT	834139M1	1	AP1000567	4014486468748
26	REEL DRIVE VARIABLE SPEED	833768M1	1	AP1001402	4014486459081
860					
2	RADIATOR AND FAN DRIVE (SERIAL NR. ... - 16559)	259047M91	2	AP1000131	4014486461473
2	RADIATOR AND FAN DRIVE (SERIAL NR. 15558 - ...)	284633M91	2	AP1003757	4014486461459
4	AIR CONDITIONING COMPRESSOR DRIVE	529964M1	1	AP1002534	4014486494556
5	MAIN DRIVE	833865M1	1	AP1001973	4014486490886
6	ROTARY SCREEN - COUNTERSHAFT	833867M1	1	AP1000119	4014486461305
7	RETURN ELEVATOR DRIVE	833854M2	1	AP1000335	4014486465754
10	STRAW CHOPPER (FRONT)	843948M1	1	AP1001451	4014486459593
11	STRAW CHOPPER (CENTER)	843747M1	1	AP1000827	4014486472547
12	STRAW CHOPPER (REAR) 102.5 INCH	843760M1	1	AP1005148	4044978203502
15	SHAKER SHOE DRIVE	273757M91	2	AP1000381	4014486466447
17	CLEANING FAN DRIVE	833863M1	1	AP1001400	4014486459067
18	TRACTION (UPPER) - 4 SPEED	833858M4	1	no AP	
19	TRACTION (LOWER) - 4 SPEED (SERIAL NR. ... - 19115)	833858M4	1	no AP	
20	COUNTERSHAFT - ROTARY SCREEN	844306M1	1	AP1000116	4014486461251
21	TANK UNLOADER DRIVE	833862M3	1	AP1003597	4014486485059
22	WOBBLE BOX - FLOATING CUT BAR 22 FEET	227455M1	1	AP1000698	4014486470802
22	WOBBLE BOX - FLOATING CUT BAR 22 FEET	832832M1	1	AP1000688	4014486470680
22	WOBBLE BOX - FLOATING CUT BAR 15 FEET - 20 FEET	833962M1	1	AP1004120	4014486522945
23	WOBBLE BOX DRIVE	834190M1	1	AP1000597	4014486469295
23	DRAPER TABLE	842809M1	1	AP1000700	4014486470833
24	REEL DRIVE	834140M1	1	AP1000734	4014486471281
25	REEL DRIVE COUNTERSHAFT	834139M1	1	AP1000567	4014486468748

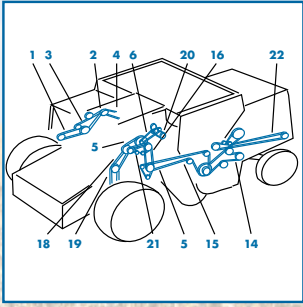
AG - BI
CA - CL
DE - DR
FE - FO
GL - GR
IN - JO
KP - KZ
LA - ME
NE - RO
SA - ST
VA - ZM
PARTS
SERVICE



865



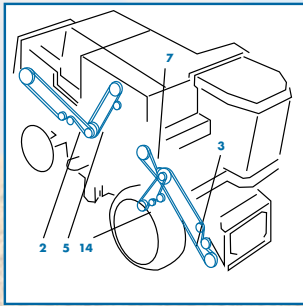
865



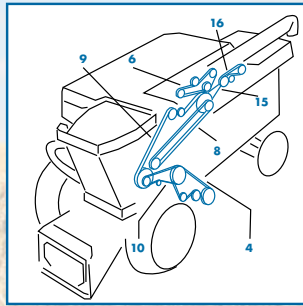
865

MASSEY FERGUSON

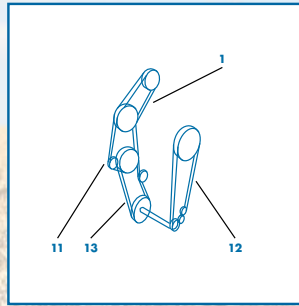
NR.	DRIVE	PART NUMBER	SET	AP NR.	EAN
865					
2	RADIATOR AND FAN DRIVE (SERIAL NR. ... - 16559)	259047M91	2	AP1000131	4014486461473
2	RADIATOR AND FAN DRIVE (SERIAL NR. 15558 - ...)	284633M91	2	AP1003757	4014486461459
4	AIR CONDITIONING COMPRESSOR DRIVE	529964M1	1	AP1002534	4014486494556
5	MAIN DRIVE	833865M1	1	AP1001973	4014486490886
6	ROTARY SCREEN - COUNTERSHAFT	833867M1	1	AP1000119	4014486461305
7	RETURN ELEVATOR DRIVE	833854M2	1	AP1000335	4014486465754
10	STRAW CHOPPER (FRONT)	843948M1	1	AP1001451	4014486459593
11	STRAW CHOPPER (CENTER)	843747M1	1	AP1000827	4014486472547
12	STRAW CHOPPER (REAR) 102.5 INCH	843760M1	1	AP1005148	4044978203502
15	SHAKER SHOE DRIVE	273757M91	2	AP1000381	4014486466447
17	CLEANING FAN DRIVE	833863M1	1	AP1001400	4014486459067
18	TRACTION (UPPER) - 4 SPEED	833858M4	1	no AP	
19	TRACTION (LOWER) - 4 SPEED (SERIAL NR. ... - 19115)	833858M4	1	no AP	
20	COUNTERSHAFT - ROTARY SCREEN	844306M1	1	AP1000116	4014486461251
21	TANK UNLOADER DRIVE	833862M3	1	AP1003597	4014486485059
22	WOBBLE BOX - FLOATING CUT BAR 22 FEET	227455M1	1	AP1000698	4014486470802
22	WOBBLE BOX - FLOATING CUT BAR 22 FEET	832832M1	1	AP1000688	4014486470680
22	WOBBLE BOX - FLOATING CUT BAR 15 FEET - 20 FEET	833962M1	1	AP1004120	4014486522945
23	WOBBLE BOX DRIVE	834190M1	1	AP1000597	4014486469295
23	DRAPER TABLE	842809M1	1	AP1000700	4014486470833
24	REEL DRIVE	834140M1	1	AP1000734	4014486471281
25	REEL DRIVE COUNTERSHAFT	834139M1	1	AP1000567	4014486468748
3640					
3		1483277M1	1	AP1000349	
11	USED WITH THE A6.354.4 ENGINE	2834466M1	1	AP1003399	4014486462937
19	USED WITH THE A6.354.4 ENGINE	3145238M1	1	AP1002584	4014486495706
19	USED WITH THE A6.358 ENGINE	487802M2	1	AP1002550	4014486494822
5650					
		1483884M1	1	AP1000677	4014486470505



8570 LEFT



8570 RIGHT



8570

MASSEY FERGUSON

NR.	DRIVE	PART NUMBER	SET	AP NR.	EAN
8570					
2	SPREADER DRIVE	1680230W1	1	AP1004118	4014486522921
3	FEEDER DRIVE HIGH CAPACITY (4 RIB)	104072W1	1	AP1001171	4014486491821
4	ELEVATOR DRIVE GRAIN	227455M1	1	AP1000698	4014486470802
5	CHOPPER DRIVE - JACKSHAFT	103319M1	1	AP1000692	4014486470710
5	SPREADER JACKSHAFT DRIVE	227455M1	1	AP1000698	4014486470802
8	UNLOADING DRIVE	101102M1	1	AP1001662	4014486486186
10	SHAKER SHOE PITMAN DRIVE	2593000W1	1	AP1001604	4014486485295
8780					
1	FEEDER DRIVE	71379105	1	AP1001170	4014486491814
4	ELEVATOR DRIVE UNIT	71385801	1	AP1003628	4014486519013
6	CHOPPER DRIVE - 2ND STAGE	71388712	1	AP1000821	4014486472479
7	AUGER DRIVE	1680230W1	1	AP1004118	4014486522921
8	REEL DRIVE	227455M1	1	AP1000698	4014486470802
9	JACKSHAFT DRIVE	103319M1	1	AP1000692	4014486470710
11	UNLOADING DRIVE	101102M1	1	AP1001662	4014486486186
13		227455M1	1	AP1000698	4014486470802
14	PITMAN DRIVE	2593000W1	1	AP1001604	4014486485295
16	BEATER DRIVE	71386352	1	AP1001900	4014486489606
18	MAIN COUNTERSHAFT DRIVE	71385693	1	AP1003357	4014486488951
19	MAIN COUNTERSHAFT DRIVE	71387775	1	AP1003643	4014486489156
21	HYDRAULIC PUMP ROTOR DRIVE	111954W1	1	AP1001166	4014486491777
23	FAN DRIVE	71148120	1	AP1002556	4014486494983
9720					
11	HYDROSTATIC PUMP DRIVE	31-2449520	1	AP1003299	4014486490527
186 (F)					
1	TABLE FEEDER DRUM	1724154M1	1	AP1000647	4014486470079
1	TABLE FEEDER DRUM	417974M1	1	AP1000649	4014486470109
2	TANK UNLOADER DRIVE	621259M1	1	AP1000547	4014486468311
3	FANNING MILL (UPPER)	621261M1	1	AP1000284	4014486464641
5	BEATER DRIVE	418232M1	1	no AP	
7	STRAW WALKER SHAKER	621258M1	1	AP1000346	4014486465983
8	TRACTION (UPPER)	905921M1	1	AP1004743	4014486720303
9	TRACTION (LOWER)	905920M1	1	AP1001450	4014486459586
10	REDUCER	417972M1	1	AP1000885	4014486473261
12	KNIFE DRIVE	1722835M1	1	AP1000587	4014486469080
12	KNIFE DRIVE	402607M1	1	AP1003515	4014486469653
15	FANNING MILL	621262M1	1	AP1000211	4014486462593
186 OLD					
6	KNIFE DRIVE (UPPER)	417972M1	1	AP1000885	4014486473261
7	FEEDER DRIVE	1724154M1	1	AP1000647	4014486470079
7	FEEDER DRIVE	417974M1	1	AP1000649	4014486470109
8	KNIFE DRIVE	402607M1	1	AP1003515	4014486469653
10	TANK UNLOADER DRIVE	621259M1	1	AP1000547	4014486468311
11	BEATER BEHIND CYLINDER	418232M1	1	no AP	
12	HYDRAULIC PUMP DRIVE	417468M1	1	AP1003397	4014486462821
	RADIATOR FAN DRIVE	893575M1	1	AP1000060	4014486483802



MASSEY FERGUSON

NR.	DRIVE	PART NUMBER	SET	AP NR.	EAN
206 OLD					
1	SHAKER SHOE DRIVE	621258M1	1	AP1000346	4014486465983
2	BEATER - FAN (REAR)	621261M1	1	AP1000284	4014486464641
3	FANNING MILL	621262M1	1	AP1000211	4014486462593
4	DRUM DRIVE VARIABLE SPEED	905920M1	1	AP1001450	4014486459586
5	DRUM DRIVE VARIABLE SPEED	905921M1	1	AP1004743	4014486720303
6	KNIFE DRIVE (UPPER)	417972M1	1	AP1000885	4014486473261
7	FEEDER DRIVE	1724154M1	1	AP1000647	4014486470079
8	KNIFE DRIVE	402607M1	1	AP1003515	4014486469653
9	KNIFE DRIVE	1722835M1	1	AP1000587	4014486469080
11	BEATER (REAR)	418232M1	1	no AP	
307 OLD					
2	KNIFE DRIVE (UPPER)	417972M1	1	AP1000885	4014486473261
3	TRACTION VARIATOR DRIVE	905920M1	1	AP1001450	4014486459586
5	SHAKER SHOE DRIVE	621258M1	1	AP1000346	4014486465983
6	TRACTION VARIATOR DRIVE	905921M1	1	AP1004743	4014486720303
7	KNIFE DRIVE	1722835M1	1	AP1000587	4014486469080
7	KNIFE DRIVE	402607M1	1	AP1003515	4014486469653
9	BEATER - FAN (REAR)	621261M1	1	AP1000284	4014486464641
11	FEEDER DRIVE	1724154M1	1	AP1000647	4014486470079
12	FAN CLEANING	621262M1	1	AP1000211	4014486462593
14	BEATER (REAR)	418232M1	1	no AP	
3640 Advanced					
		1483884M1	1	AP1000677	4014486470505
400 - 500					
1	RADIATOR FAN DRIVE	228722M1	1	AP1000214	4014486462708
2	RADIATOR FAN DRIVE	233950M1	1	AP1000211	4014486462593
3	HYDRAULIC PUMP DRIVE	832490M1	1	AP1001277	4014486474435
4	VENTILATOR	227976M1	1	AP1000214	4014486462708
6	BEATER DRIVE	832538M1	1	AP1003431	4014486464313
9	COUNTERSHAFT DRIVE	227457M1	1	AP1000572	4014486468809
10	HOPPER	227984M1	1	AP1000731	4014486471250
400 - 500 OLD					
2	COUNTERSHAFT - REEL DRIVE	1855008M1	1	AP1000572	4014486468809
5	BEATER (REAR)	793863M1	1	no AP	
6	REEL DRIVE	785810M1	1	AP1005140	4044978203427
8	RETURN ELEVATOR DRIVE	832538M1	1	AP1003431	4014486464313
9	RADIATOR AIR INTAKE	228722M1	1	AP1000214	4014486462708
10	STRAW WALKER DRIVE	1615254M1	1	AP1003999	4014486518887
10	STRAW WALKER DRIVE	320593M2	1	AP1001361	4014486474756
15	HYDRAULIC PUMP DRIVE	832490M1	1	AP1001277	4014486474435
16	RADIATOR FAN DRIVE	233950M1	1	AP1000211	4014486462593
410 - 415					
1	FANNING MILL	784797M2	1	AP1000214	4014486462708
3	FANNING MILL (UPPER)	1855008M1	1	AP1000572	4014486468809
5	HYDRAULIC PUMP DRIVE	832490M1	1	AP1001277	4014486474435
6	ALTERNATOR DRIVE	893575M1	1	AP1000060	4014486483802
7	DRIVE	793863M1	1	no AP	
10	RETURN DRIVE	795514M4	1	AP1000264	4014486464214
10	RETURN DRIVE	795582M2	1	AP1000249	4014486463828
11	SHAKER SHAFT DRIVE	1615254M1	1	AP1003999	4014486518887



MASSEY FERGUSON

NR.	DRIVE	PART NUMBER	SET	AP NR.	EAN
12	ELEVATOR DRIVE GRAIN	784796M2	1	AP1000731	4014486471250
16	KNIFE DRIVE	785585M3	1	AP1000598	4014486469301
17	REEL DRIVE	1615254M1	1	AP1003999	4014486518887
17	REEL DRIVE	1615333M1	1	AP1003997	4014486518856
410 - 415 - 510 - 515 OLD					
2	COUNTERSHAFT - REEL DRIVE	1855008M1	1	AP1000572	4014486468809
5	BEATER (REAR)	793863M1	1	no AP	
6	REEL DRIVE	1615333M1	1	AP1003997	4014486518856
8	RETURN ELEVATOR DRIVE	795514M4	1	AP1000264	4014486464214
9	RADIATOR AIR INTAKE	228722M1	1	AP1000214	4014486462708
10	STRAW WALKER DRIVE	1615254M1	1	AP1003999	4014486518887
15	HYDRAULIC PUMP DRIVE	832490M1	1	AP1001277	4014486474435
16	RADIATOR FAN DRIVE	233950M1	1	AP1000211	4014486462593
17	KNIFE DRIVE	785585M3	1	AP1000598	4014486469301
410 - 510					
1	ENGINE FAN DRIVE	240575M2	1	AP1002298	4014486479867
2	HYDRAULIC PUMP DRIVE	832490M1	1	AP1001277	4014486474435
3	AIR FILTER	228722M1	1	AP1000214	4014486462708
4	VENTILATOR	227976M1	1	AP1000214	4014486462708
6	HYDRAULIC PUMP DRIVE	230381M1	1	AP1000538	4014486468199
8	VENTILATOR	227457M1	1	AP1000572	4014486468809
9	HOPPER	227984M1	1	AP1000731	4014486471250
10	REEL DRIVE	1615333M1	1	AP1003997	4014486518856
487 - 506 - 507					
1	TABLE FEEDER DRUM	621588M1	1	AP1000668	4014486470352
2	TANK UNLOADER DRIVE	905980M1	1	AP1001552	4014486484519
3	FANNING MILL (UPPER)	621261M1	1	AP1000284	4014486464641
5	BEATER DRIVE	1720255M1	1	AP1001871	4014486489125
7	STRAW WALKER SHAKER	621258M1	1	AP1000346	4014486465983
10	REDUCER	417972M1	1	AP1000885	4014486473261
12	KNIFE DRIVE	402607M1	1	AP1003515	4014486469653
12	KNIFE DRIVE	410959M1	1	AP1000614	4014486469523
15	FANNING MILL	621262M1	1	AP1000211	4014486462593
487 OLD					
1	SHAKER SHOE DRIVE	621258M1	1	AP1000346	4014486465983
2	BEATER - FAN (REAR)	621261M1	1	AP1000284	4014486464641
6	KNIFE DRIVE (UPPER)	417972M1	1	AP1000885	4014486473261
7	FEEDER DRIVE	1720488M1	1	AP1000675	4014486470475
8	KNIFE DRIVE	402607M1	1	AP1003515	4014486469653
9	FEEDER AUGER	1722835M1	1	AP1000587	4014486469080
10	TANK UNLOADER DRIVE	621259M1	1	AP1000547	4014486468311
11	BEATER (REAR)	1720255M1	1	AP1001871	4014486489125
13	HYDRAULIC PUMP DRIVE	1720674M2	1	AP1000220	4014486462838
506 OLD					
1	SHAKER SHOE DRIVE	621258M1	1	AP1000346	4014486465983
2	BEATER - FAN (REAR)	621261M1	1	AP1000284	4014486464641
3	FANNING MILL	621262M1	1	AP1000211	4014486462593
6	KNIFE DRIVE (UPPER)	417972M1	1	AP1000885	4014486473261
7	FEEDER DRIVE	621588M1	1	AP1000668	4014486470352
8	KNIFE DRIVE	402607M1	1	AP1003515	4014486469653
9	FEEDER AUGER	410959M1	1	AP1000614	4014486469523
10	TANK UNLOADER DRIVE	905980M1	1	AP1001552	4014486484519



MASSEY FERGUSON

NR.	DRIVE	PART NUMBER	SET	AP NR.	EAN
11	BEATER (REAR)	1720255M1	1	AP1001871	4014486489125
507 OLD					
1	SHAKER SHOE DRIVE	621258M1	1	AP1000346	4014486465983
4	BEATER (REAR)	1720205M3	1	AP1001889	4014486489460
6	BEATER (REAR)	621261M1	1	AP1000284	4014486464641
7	FANNING MILL	621262M1	1	AP1000211	4014486462593
8	FEEDER DRIVE	621588M1	1	AP1000668	4014486470352
9	TANK UNLOADER DRIVE	905980M1	1	AP1001552	4014486484519
10	HYDRAULIC PUMP DRIVE	1720674M2	1	AP1000220	4014486462838
13	KNIFE DRIVE	410959M1	1	AP1000614	4014486469523
520 - 525					
2	DRUM DRIVE	912877M1	1	AP1001181	4014486490190
3	DRIVE RIGHT SIDE	227976M1	1	AP1000214	4014486462708
7	THRESHING DRIVE	619327M1	1	AP1004086	4014486520392
8	HYDRAULIC PUMP DRIVE	619595M1	1	AP1000536	4014486468168
12	AUGER DRIVE	227984M1	1	AP1000731	4014486471250
15	REEL DRIVE VARIABLE SPEED	789853M1	1	AP1001403	4014486459098
520 OLD					
1	TANK UNLOADER DRIVE	619317M2	1	AP1000563	4014486468656
3	HYDRAULIC PUMP DRIVE	782850M2	1	AP1000537	4014486468175
5	CASCADE SEPARATOR	784170M2	1	AP1000425	4014486466881
6	COUNTERSHAFT 2ND STAGE - GRAIN AUGER	784796M2	1	AP1000731	4014486471250
7	COUNTERSHAFT - FAN - 2ND STAGE	784797M2	1	AP1000214	4014486462708
8	KNIFE DRIVE	785585M3	1	AP1000598	4014486469301
9	COUNTERSHAFT DRIVE - 2ND STAGE	785585M3	1	AP1000598	4014486469301
10	REEL DRIVE VARIABLE SPEED	789853M1	1	AP1001403	4014486459098
11	PICK UP REEL	1615333M1	1	AP1003997	4014486518856
11	REEL DRIVE	785810M1	1	AP1005140	4044978203427
12	BEATER (REAR)	789967M1	1	AP1000986	4014486498066
13	RETURN ELEVATOR DRIVE	795514M4	1	AP1000264	4014486464214
13	RETURN ELEVATOR DRIVE	795582M2	1	AP1000249	4014486463828
14	STRAW WALKER DRIVE	1615254M1	1	AP1003999	4014486518887
17	MAIN DRIVE	789930M1	1	AP1002617	4014486498080
17	MAIN DRIVE	789931M1	1	AP1002616	4014486498073
525 OLD					
1	TANK UNLOADER DRIVE	619317M2	1	AP1000563	4014486468656
3	HYDRAULIC PUMP DRIVE	782850M2	1	AP1000537	4014486468175
5	CASCADE SEPARATOR	784170M2	1	AP1000425	4014486466881
6	COUNTERSHAFT 2ND STAGE - GRAIN AUGER	784796M2	1	AP1000731	4014486471250
7	COUNTERSHAFT - FAN - 2ND STAGE	784797M2	1	AP1000214	4014486462708
8	KNIFE DRIVE	785585M3	1	AP1000598	4014486469301
9	COUNTERSHAFT DRIVE - 2ND STAGE	785585M3	1	AP1000598	4014486469301
10	REEL DRIVE VARIABLE SPEED	789853M1	1	AP1001403	4014486459098
11	PICK UP REEL	1615333M1	1	AP1003997	4014486518856
11	REEL DRIVE	785810M1	1	AP1005140	4044978203427
12	BEATER (REAR)	789967M1	1	AP1000986	4014486498066
13	RETURN ELEVATOR DRIVE	795514M4	1	AP1000264	4014486464214
13	RETURN ELEVATOR DRIVE	795582M2	1	AP1000249	4014486463828
14	STRAW WALKER DRIVE	1615254M1	1	AP1003999	4014486518887
17	MAIN DRIVE	789930M1	1	AP1002617	4014486498080
17	MAIN DRIVE	789931M1	1	AP1002616	4014486498073



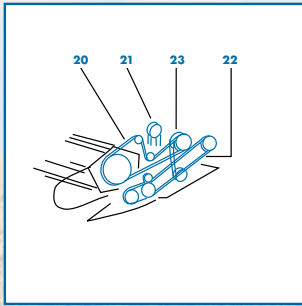
MASSEY FERGUSON

NR.	DRIVE	PART NUMBER	SET	AP NR.	EAN
530 S					
1	FANNING MILL	3043153M1	1	AP1001399	4014486459050
1	FANNING MILL	3043154M1	1	AP1001398	4014486459043
2	TANK UNLOADER DRIVE	3370141M1	1	AP1005129	4044978162960
3	FANNING MILL (UPPER)	785585M3	1	AP1000598	4014486469301
5	HYDRAULIC PUMP DRIVE	843313M1	1	AP1001016	4014486497991
6	ALTERNATOR DRIVE	1687531M1	1	AP1002558	4014486495034
7	DRIVE	789967M1	1	AP1000986	4014486498066
8	MAIN BELT	789930M1	1	AP1002617	4014486498080
8	MAIN BELT	789931M1	1	AP1002616	4014486498073
10	RETURN DRIVE	795514M4	1	AP1000264	4014486464214
10	RETURN DRIVE	795582M2	1	AP1000249	4014486463828
11	SHAKER SHAFT DRIVE	1615254M1	1	AP1003999	4014486518887
12	ELEVATOR DRIVE GRAIN	784796M2	1	AP1000731	4014486471250
15	REDUCER	789853M1	1	AP1001403	4014486459098
16	KNIFE DRIVE	1724154M1	1	AP1000647	4014486470079
17	REEL DRIVE	843313M1	1	AP1001016	4014486497991
5650 Advanced					
		1483884M1	1	AP1000677	4014486470505
5650 Turbo					
		1483884M1	1	AP1000677	4014486470505
620 - 625					
4	REEL DRIVE	785810M1	1	AP1005140	4044978203427
9	REEL DRIVE	1615333M1	1	AP1003997	4014486518856
11	REEL DRIVE VARIABLE SPEED	789853M1	1	AP1001403	4014486459098
12	THRESHING DRIVE	789931M1	1	AP1002616	4014486498073
13	DRUM DRIVE	789967M1	1	AP1000986	4014486498066
620 OLD					
1	TANK UNLOADER DRIVE	619317M2	1	AP1000563	4014486468656
3	HYDRAULIC PUMP DRIVE	782850M2	1	AP1000537	4014486468175
5	CASCADE SEPARATOR	784170M2	1	AP1000425	4014486466881
6	COUNTERSHAFT 2ND STAGE - GRAIN AUGER	784796M2	1	AP1000731	4014486471250
7	COUNTERSHAFT - FAN - 2ND STAGE	784797M2	1	AP1000214	4014486462708
8	KNIFE DRIVE	785585M3	1	AP1000598	4014486469301
9	COUNTERSHAFT DRIVE - 2ND STAGE	785585M3	1	AP1000598	4014486469301
10	REEL DRIVE VARIABLE SPEED	789853M1	1	AP1001403	4014486459098
11	PICK UP REEL	1615333M1	1	AP1003997	4014486518856
11	REEL DRIVE	785810M1	1	AP1005140	4044978203427
12	BEATER (REAR)	789967M1	1	AP1000986	4014486498066
13	RETURN ELEVATOR DRIVE	795514M4	1	AP1000264	4014486464214
13	RETURN ELEVATOR DRIVE	795582M2	1	AP1000249	4014486463828
14	STRAW WALKER DRIVE	1615254M1	1	AP1003999	4014486518887
17	MAIN DRIVE	789930M1	1	AP1002617	4014486498080
17	MAIN DRIVE	789931M1	1	AP1002616	4014486498073

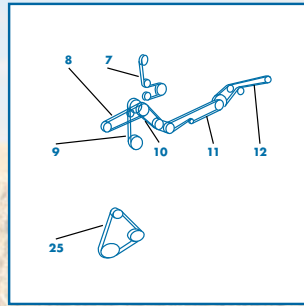


MASSEY FERGUSON

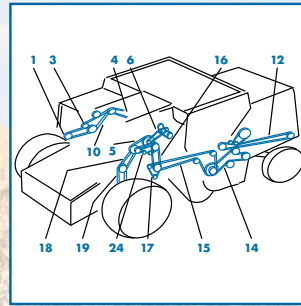
NR.	DRIVE	PART NUMBER	SET	AP NR.	EAN
625 OLD					
1	TANK UNLOADER DRIVE	619317M2	1	AP1000563	4014486468656
3	HYDRAULIC PUMP DRIVE	782850M2	1	AP1000537	4014486468175
5	CASCADE SEPARATOR	784170M2	1	AP1000425	4014486466881
6	COUNTERSHAFT 2ND STAGE - GRAIN AUGER	784796M2	1	AP1000731	4014486471250
7	COUNTERSHAFT - FAN - 2ND STAGE	784797M2	1	AP1000214	4014486462708
8	KNIFE DRIVE	785585M3	1	AP1000598	4014486469301
9	COUNTERSHAFT DRIVE - 2ND STAGE	785585M3	1	AP1000598	4014486469301
10	REEL DRIVE VARIABLE SPEED	789853M1	1	AP1001403	4014486459098
11	PICK UP REEL	1615333M1	1	AP1003997	4014486518856
11	REEL DRIVE	785810M1	1	AP1005140	4044978203427
12	BEATER (REAR)	789967M1	1	AP1000986	4014486498066
13	RETURN ELEVATOR DRIVE	795514M4	1	AP1000264	4014486464214
13	RETURN ELEVATOR DRIVE	795582M2	1	AP1000249	4014486463828
14	STRAW WALKER DRIVE	1615254M1	1	AP1003999	4014486518887
17	MAIN DRIVE	789930M1	1	AP1002617	4014486498080
17	MAIN DRIVE	789931M1	1	AP1002616	4014486498073
630 OLD					
1	TANK UNLOADER DRIVE	324872M1	1	AP1000215	4014486462739
3	FANNING MILL	321034M3	1	AP1004428	4014486715279
4	TABLE DRIVE	320595M2	1	AP1000540	4014486468229
4	TABLE DRIVE	322768M1	1	AP1000538	4014486468199
5	CYLINDER	320496M3	1	no AP	
6	KNIFE DRIVE	320623M2	1	AP1000296	4014486464887
7	FEEDER AUGER	320596M1	1	AP1003412	4014486463545
8	TRACTION VARIATOR DRIVE	320551M1	1	AP1001063	4014486496475
9	HYDRAULIC PUMP DRIVE	410195M1	1	AP1002281	4014486478495
10	STRAW WALKER DRIVE	320593M2	1	AP1001361	4014486474756
630 S OLD					
1	TANK UNLOADER DRIVE	324872M1	1	AP1000215	4014486462739
3	FANNING MILL	321034M3	1	AP1004428	4014486715279
4	TABLE DRIVE	320595M2	1	AP1000540	4014486468229
4	TABLE DRIVE	322768M1	1	AP1000538	4014486468199
5	CYLINDER	320496M3	1	no AP	
6	KNIFE DRIVE	320623M2	1	AP1000296	4014486464887
7	FEEDER AUGER	320596M1	1	AP1003412	4014486463545
8	TRACTION VARIATOR DRIVE	320551M1	1	AP1001063	4014486496475
9	HYDRAULIC PUMP DRIVE	410195M1	1	AP1002281	4014486478495
10	STRAW WALKER DRIVE	320593M2	1	AP1001361	4014486474756
685 OLD					
1	KNIFE DRIVE	402607M1	1	AP1003515	4014486469653
2	TRACTION VARIATOR DRIVE	401110M1	1	AP1001160	4014486497397
3	CYLINDER	402608M3	1	no AP	
7	HYDRAULIC PUMP DRIVE (PERKINS)	403041M1	1	AP1004036	4014486518481
9	TANK UNLOADER DRIVE	403071M1	1	AP1000269	4014486464320
10	STRAW BALER	328656M1	1	AP1000527	4014486468076
11	FANNING MILL	402604M1	1	AP1003390	4014486462579
12	FANNING MILL	402605M1	1	AP1000264	4014486464214
13	BEATER (REAR)	402606M1	1	AP1000637	4014486469943



760 - 765



760 - 765



760 - 765

MASSEY FERGUSON

NR.	DRIVE	PART NUMBER	SET	AP NR.	EAN
685 S OLD					
1	KNIFE DRIVE	402607M1	1	AP1003515	4014486469653
2	TRACTION VARIATOR DRIVE	401110M1	1	AP1001160	4014486497397
3	CYLINDER	402608M3	1	no AP	
7	HYDRAULIC PUMP DRIVE (PERKINS)	403041M1	1	AP1004036	4014486518481
9	TANK UNLOADER DRIVE	403071M1	1	AP1000269	4014486464320
10	STRAW BALER	328656M1	1	AP1000527	4014486468076
11	FANNING MILL	402604M1	1	AP1003390	4014486462579
12	FANNING MILL	402605M1	1	AP1000264	4014486464214
13	BEATER (REAR)	402606M1	1	AP1000637	4014486469943
750 OLD					
1		834140M1	1	AP1000734	4014486471281
2	REEL DRIVE VARIABLE SPEED	833768M1	1	AP1001402	4014486459081
3	REEL DRIVE	834139M1	1	AP1000567	4014486468748
4	WOBBLE BOX DRIVE	834058M1	1	AP1000598	4014486469301
4	WOBBLE BOX DRIVE	842809M1	1	AP1000700	4014486470833
5	TRACTION DRIVE	833856M1	1	no AP	
7	TRACTION DRIVE	833874M1	1	AP1001848	4014486488791
9	DISCHARGE DRIVE GRAIN TANK	833873M1	1	AP1001568	4014486484717
12	STRAW WALKER DRIVE	833855M1	1	AP1000419	4014486466829
12	STRAW WALKER DRIVE	843310M1	1	AP1000429	4014486466935
16	HYDRAULIC PUMP DRIVE	222882M2	1	AP1000232	4014486463262
17	RADIATOR FAN DRIVE	273837M91	1	AP1002490	4014486493931
18	ALTERNATOR DRIVE (DIESEL ENGINE)	259047M91	2	AP1000131	4014486461473
19	AIR CONDITIONING COMPRESSOR DRIVE	834492M2	1	AP1000211	4014486462593
19	AIR CONDITIONING COMPRESSOR DRIVE	843045M1	1	AP1002543	4014486494723
22	STRAW CHOPPER DRIVE	833871M1	1	AP1001747	4014486485417
24	STRAW CHOPPER DRIVE	833872M1	1	AP1000762	4014486471632
24	STRAW CHOPPER DRIVE	843324M1	1	AP1000804	4014486472240
25	RETURN ELEVATOR DRIVE	833854M2	1	AP1000335	4014486465754
760 - 765					
1	HYDRAULIC PUMP DRIVE (SERIAL NR. 00511-2474)	222882M2	1	AP1000232	4014486463262
2	RADIATOR FAN DRIVE	259047M91	2	AP1000131	4014486461473
3	ALTERNATOR DRIVE	1687531M1	1	AP1002558	4014486495034
4	AIR CONDITIONING COMPRESSOR DRIVE	1686883M1	1	AP1002534	4014486494556
4	AIR CONDITIONING COMPRESSOR DRIVE (SERIAL NR. 5829-7663)	843045M1	1	AP1002543	4014486494723
5	MAIN DRIVE	833865M1	1	AP1001973	4014486490886
6	AIR INTAKE DRIVE	833867M1	1	AP1000119	4014486461305
10	STRAW CHOPPER DRIVE (SERIAL NR. ... - 9413)	833871M1	1	AP1001747	4014486485417
10	STRAW CHOPPER DRIVE (SERIAL NR. 9413 - ...)	843948M1	1	AP1001451	4014486459593
11	STRAW CHOPPER DRIVE (SERIAL NR. 9413 - ...)	843747M1	1	AP1000827	4014486472547
12	STRAW CHOPPER DRIVE (SERIAL NR. 9413 - ...)	832906M1	1	AP1000758	4014486471595
12	STRAW CHOPPER DRIVE (SERIAL NR. ... - 9413)	833872M1	1	AP1000762	4014486471632
12	STRAW CHOPPER DRIVE	843760M1	1	AP1005148	4044978203502
14	STRAW WALKER DRIVE	833860M1	1	AP1000819	4014486472455
15	SHAKER SHOE DRIVE	273757M91	2	AP1000381	4014486466447
16	SHAKER SHOE - COUNTERSHAFT - FAN (SERIAL NR. ... - 9413)	274015M91	1	AP1003436	4014486464795
16	SHAKER SHOE - COUNTERSHAFT - FAN (SERIAL NR. 9413 - ...)	281560M91	2	AP1000292	4014486464825
17	CLEANING FAN DRIVE	833863M1	1	AP1001400	4014486459067
18	TRACTION (UPPER) - 4 SPEED	833858M4	1	no AP	
19	TRACTION (LOWER) - 4 SPEED	833858M4	1	no AP	
20	REEL DRIVE	834140M1	1	AP1000734	4014486471281
21	REEL DRIVE VARIABLE SPEED	833768M1	1	AP1001402	4014486459081
22	KNIFE WOBBLE - FLOATING CUT BAR	833962M1	1	AP1004120	4014486522945



MASSEY FERGUSON

NR.	DRIVE	PART NUMBER	SET	AP NR.	EAN
22	KNIFE DRIVE - RIDIG CUT BAR 13 FEET	834058M1	1	AP1000598	4014486469301
22	KNIFE WOBBLE RIDIG CUT BAR - 15 FEET - 24 FEET	834190M1	1	AP1000597	4014486469295
22	WOBBLE BOX - WITH DRAPER TABLE	842809M1	1	AP1000700	4014486470833
23	REEL DRIVE COUNTERSHAFT	834139M1	1	AP1000567	4014486468748
24	DISCHARGE DRIVE GRAIN TANK	833862M3	1	AP1003597	4014486485059
760 OLD					
1	REEL DRIVE	834140M1	1	AP1000734	4014486471281
2	REEL DRIVE VARIABLE SPEED	833768M1	1	AP1001402	4014486459081
3	REEL DRIVE	834139M1	1	AP1000567	4014486468748
4	WOBBLE BOX DRIVE	834058M1	1	AP1000598	4014486469301
4	WOBBLE BOX DRIVE	834190M1	1	AP1000597	4014486469295
4	WOBBLE BOX DRIVE	842809M1	1	AP1000700	4014486470833
5	TRACTION DRIVE	833858M4	1	no AP	
6	MAIN DRIVE	833865M1	1	AP1001973	4014486490886
7	AIR INTAKE DRIVE	833867M1	1	AP1000119	4014486461305
8	DISCHARGE DRIVE GRAIN TANK	833862M3	1	AP1003597	4014486485059
11	STRAW WALKER DRIVE	833860M1	1	AP1000819	4014486472455
14	HYDRAULIC PUMP DRIVE	222882M2	1	AP1000232	4014486463262
18	AIR CONDITIONING COMPRESSOR DRIVE	834492M2	1	AP1000211	4014486462593
18	AIR CONDITIONING COMPRESSOR DRIVE	843045M1	1	AP1002543	4014486494723
21	STRAW CHOPPER DRIVE	833871M1	1	AP1001747	4014486485417
23	STRAW CHOPPER DRIVE	833872M1	1	AP1000762	4014486471632
23	STRAW CHOPPER DRIVE	843324M1	1	AP1000804	4014486472240
24	RETURN ELEVATOR DRIVE	833854M2	1	AP1000335	4014486465754
86 (F)					
1	TABLE FEEDER DRUM	412236M1	1	AP1000668	4014486470352
2	TANK UNLOADER DRIVE	412074M1	1	AP1000230	4014486463187
3	FANNING MILL (UPPER)	402605M1	1	AP1000264	4014486464214
4	HYDRAULIC PUMP DRIVE	402604M1	1	AP1003390	4014486462579
5	BEATER DRIVE	402608M3	1	no AP	
8	TRACTION (UPPER)	412333M1	1	AP1003574	4014486497403
8	TRACTION (UPPER)	905921M1	1	AP1004743	4014486720303
9	TRACTION (LOWER)	401110M1	1	AP1001160	4014486497397
10	REDUCER	412237M1	1	AP1000886	4014486473278
11	AUGER DRIVE (FRONT)	412399M1	1	AP1000557	4014486468519
12	KNIFE DRIVE	402607M1	1	AP1003515	4014486469653
15	FANNING MILL	402604M1	1	AP1003390	4014486462579
86 OLD					
1	TRACTION DRIVE	412333M1	1	AP1003574	4014486497403
2	TRACTION DRIVE	401110M1	1	AP1001160	4014486497397
3	HYDRAULIC PUMP DRIVE	403041M1	1	AP1004036	4014486518481
5	KNIFE DRIVE	402607M1	1	AP1003515	4014486469653
6	BEATER BEHIND CYLINDER	402608M3	1	no AP	
7	KNIFE DRIVE (UPPER)	412237M1	1	AP1000886	4014486473278
8	FEEDER AUGER	412399M1	1	AP1000557	4014486468519
9	STRAW BALER	328656M1	1	AP1000527	4014486468076
10	FANNING MILL	402604M1	1	AP1003390	4014486462579
11	FANNING MILL (UPPER)	402605M1	1	AP1000264	4014486464214
12	TANK UNLOADER DRIVE	412074M1	1	AP1000230	4014486463187
13	FEEDER DRIVE	412236M1	1	AP1000668	4014486470352
87 (F)					
1	TABLE FEEDER DRUM	412236M1	1	AP1000668	4014486470352
2	TANK UNLOADER DRIVE	412074M1	1	AP1000230	4014486463187



MASSEY FERGUSON

NR.	DRIVE	PART NUMBER	SET	AP NR.	EAN
3	FANNING MILL (UPPER)	402605M1	1	AP1000264	4014486464214
4	HYDRAULIC PUMP DRIVE	417468M1	1	AP1003397	4014486462821
5	BEATER DRIVE	402608M3	1	no AP	
8	TRACTION (UPPER)	905921M1	1	AP1004743	4014486720303
9	TRACTION (LOWER)	401110M1	1	AP1001160	4014486497397
10	REDUCER	412237M1	1	AP1000886	4014486473278
11	AUGER DRIVE (FRONT)	412399M1	1	AP1000557	4014486468519
12	KNIFE DRIVE	402607M1	1	AP1003515	4014486469653
15	FANNING MILL	621262M1	1	AP1000211	4014486462593

87 OLD

1	TRACTION DRIVE	412333M1	1	AP1003574	4014486497403
2	TRACTION DRIVE	401110M1	1	AP1001160	4014486497397
3	HYDRAULIC PUMP DRIVE	403041M1	1	AP1004036	4014486518481
5	KNIFE DRIVE	402607M1	1	AP1003515	4014486469653
6	BEATER BEHIND CYLINDER	402608M3	1	no AP	
7	KNIFE DRIVE (UPPER)	412237M1	1	AP1000886	4014486473278
8	FEEDER AUGER	412399M1	1	AP1000557	4014486468519
9	STRAW BALER	328656M1	1	AP1000527	4014486468076
10	FANNING MILL	402604M1	1	AP1003390	4014486462579
11	FANNING MILL (UPPER)	402605M1	1	AP1000264	4014486464214
12	TANK UNLOADER DRIVE	412074M1	1	AP1000230	4014486463187
13	FEEDER DRIVE	412236M1	1	AP1000668	4014486470352

CHALLENGER 660

1	UNLOADING DRIVE	101102M1	1	AP1001662	4014486486186
2	ELEVATOR DRIVE (SERIAL NR. ... - HP87101) GRAIN	227455M1	1	AP1000698	4014486470802
3	ELEVATOR DRIVE (SERIAL NR. HP87101 - ...) GRAIN	71403685	1	AP1000696	4014486470772
4	SHAKER SHOE PITMAN DRIVE	71390199	1	AP1003933	4014486485301
5	BEATER DRIVE	71386352	1	AP1001900	4014486489606
6	MAIN COUNTERSHAFT DRIVE	71390188	1	AP1001877	4014486489255
7	TANDEM PUMP DRIVE (SERIAL NR. ... - HR87101)	71418976	1	AP1003716	4014486519839
8	TANDEM PUMP DRIVE (SERIAL NR. HR87101 - ...)	71418984	1	AP1004614	4014486717440
9	HEADER COUNTERSHAFT TO PIVOT SHAFT (SERIAL NR. HP87101 - ...)	71398388	1	AP1001391	4014486475098
10	BEATER TO HEADER COUNTERSHAFT DRIVE (SERIAL NR. ... - HP87101)	71379105	1	AP1001170	4014486491814
12	RETURN ELEVATOR DRIVE	71385801	1	AP1003628	4014486519013
13	CHOPPER DRIVE - 2ND STAGE (SERIAL NR. ... - HR87101)	71388712	1	AP1000821	4014486472479
14	CHOPPER DRIVE - 2ND STAGE (SERIAL NR. HR87101 - ...)	71406339	1	AP1003617	4014486486780
15	SPREADER DRIVE	1680230W1	1	AP1004118	4014486522921
16	SPREADER JACKSHAFT DRIVE	227455M1	1	AP1000698	4014486470802
18	CHOPPER DRIVE - 1ST STAGE (SERIAL NR. HR87101 - ...)	71406361	1	AP1001645	4014486485974
19	AIR CONDITIONING COMPRESSOR DRIVE	71148120	1	AP1002556	4014486494983
22	ALTERNATOR AND FAN DRIVE - (SISU ENGINE) (SERIAL NR. HR87101 - ...)	V685121585	1	AP1004124	4014486523065
24	BEATER TO FEEDER HOUSE JACKSHAFT DRIVE (SERIAL NR. HP87101 - ...)	71398384	1	AP1004135	4014486523171
25	VARIABLE SPEED TO HEADER COUNTERSHAFT (SERIAL NR. HP87101 - ...)	71399505	1	no AP	
26	JACKSHAFT - HEADER COUNTERSHAFT (SERIAL NR. HP87101 - ...)	71399519	1	AP1001148	4014486490121
27	ROTARY SCREEN DRIVE (SERIAL NR. HR87101 - ...)	71396754	1	AP1004364	4014486518399

CHALLENGER 660 B

1	BIN UNLOADER DRIVE	71410767	1	AP1001653	4014486486063
3	SHAKER SHOE PITMAN DRIVE	71390199	1	AP1003933	4014486485301
4	BEATER DRIVE	71388216	1	AP1004622	4014486717525
5	MAIN COUNTERSHAFT DRIVE	71390188	1	AP1001877	4014486489255
6	TANDEM PUMP DRIVE	71418984	1	AP1004614	4014486717440
7	FEEDER PIVOT SHAFT DRIVE	71427255	1	AP1000801	4014486472202
9	RETURN ELEVATOR DRIVE	71385801	1	AP1003628	4014486519013
10	CHOPPER DRIVE - 2ND STAGE	71406339	1	AP1003617	4014486486780



MASSEY FERGUSON

NR.	DRIVE	PART NUMBER	SET	AP NR.	EAN
11	SPREADER DRIVE (SECONDARY)	1680230W1	1	AP1004118	4014486522921
12	SPREADER DRIVE (PRIMARY)	71414420	1	AP1000703	4014486470871
13	CHOPPER DRIVE - 1ST STAGE	71406338	1	AP1001648	4014486486001
14	AIR CONDITIONING COMPRESSOR DRIVE	71148120	1	AP1002556	4014486494983
16	BEATER TO FEEDER HOUSE JACKSHAFT	71398384	1	AP1004135	4014486523171
17	VARIABLE SPEED TO HEADER COUNTERSHAFT	71399505	1	no AP	
18	JACKSHAFT - HEADER COUNTERSHAFT	71399519	1	AP1001148	4014486490121
19	ROTARY SCREEN DRIVE	71396754	1	AP1004364	4014486518399

CHALLENGER 670

1	UNLOADING DRIVE	101102M1	1	AP1001662	4014486486186
2	ELEVATOR DRIVE (SERIAL NR. ... - HP87101) GRAIN	227455M1	1	AP1000698	4014486470802
3	ELEVATOR DRIVE (SERIAL NR. HP87101 - ...) GRAIN	71403685	1	AP1000696	4014486470772
4	SHAKER SHOE PITMAN DRIVE	71390199	1	AP1003933	4014486485301
5	BEATER DRIVE	71388216	1	AP1004622	4014486717525
6	MAIN COUNTERSHAFT DRIVE	71390188	1	AP1001877	4014486489255
7	ROTOR PUMP DRIVE (SERIAL NR. ... - HR36101)	71418976	1	AP1003716	4014486519839
8	PROPULSION PUMP DRIVE (SERIAL NR. HR36101 - ...)	71418984	1	AP1004614	4014486717440
9	HEADER COUNTERSHAFT TO PIVOT SHAFT (SERIAL NR. HP36101 - ...)	71398388	1	AP1001391	4014486475098
10	BEATER TO HEADER COUNTERSHAFT DRIVE (SERIAL NR. ... - HP36101)	71379105	1	AP1001170	4014486491814
12	RETURN ELEVATOR DRIVE	71385801	1	AP1003628	4014486519013
13	CHOPPER DRIVE - 2ND STAGE (SERIAL NR. ... - HR36101)	71388712	1	AP1000821	4014486472479
14	CHOPPER DRIVE - 2ND STAGE (SERIAL NR. HR36101 - ...)	71406339	1	AP1003617	4014486486780
15	SPREADER DRIVE	1680230W1	1	AP1004118	4014486522921
16	SPREADER JACKSHAFT DRIVE	227455M1	1	AP1000698	4014486470802
18	CHOPPER DRIVE - 1ST STAGE (SERIAL NR. HR36101 - ...)	71406361	1	AP1001645	4014486485974
19	AIR CONDITIONING COMPRESSOR DRIVE	71148120	1	AP1002556	4014486494983
22	ALTERNATOR AND FAN DRIVE (SISU ENGINE) (SERIAL NR. HR36101 - ...)	V685121585	1	AP1004124	4014486523065
24	BEATER TO FEEDER HOUSE JACKSHAFT DRIVE (SERIAL NR. HP36101 - ...)	71398384	1	AP1004135	4014486523171
25	VARIABLE SPEED TO HEADER COUNTERSHAFT (SERIAL NR. HP36101 - ...)	71399505	1	no AP	
26	JACKSHAFT - HEADER COUNTERSHAFT (SERIAL NR. HP36101 - ...)	71399519	1	AP1001148	4014486490121
27	ROTARY SCREEN DRIVE	71396754	1	AP1004364	4014486518399

CHALLENGER 670 B

1	UNLOADING DRIVE	71410767	1	AP1001653	4014486486063
3	SHAKER SHOE PITMAN DRIVE	71390199	1	AP1003933	4014486485301
4	BEATER DRIVE	71388216	1	AP1004622	4014486717525
5	MAIN COUNTERSHAFT DRIVE	71390188	1	AP1001877	4014486489255
6	ROTOR PUMP DRIVE	71418976	1	AP1003716	4014486519839
7	PROPULSION PUMP DRIVE	71418978	1	AP1003717	4014486519693
8	FEEDER PIVOT SHAFT DRIVE	71427255	1	AP1000801	4014486472202
10	RETURN ELEVATOR DRIVE	71385801	1	AP1003628	4014486519013
11	CHOPPER DRIVE - 2ND STAGE	71406339	1	AP1003617	4014486486780
12	SPREADER DRIVE (SECONDARY)	1680230W1	1	AP1004118	4014486522921
13	SPREADER DRIVE (PRIMARY)	71414420	1	AP1000703	4014486470871
14	CHOPPER DRIVE - 1ST STAGE	71406338	1	AP1001648	4014486486001
15	AIR CONDITIONING COMPRESSOR DRIVE	71148120	1	AP1002556	4014486494983
17	BEATER TO FEEDER HOUSE JACKSHAFT	71398384	1	AP1004135	4014486523171
18	VARIABLE SPEED TO HEADER COUNTERSHAFT	71399505	1	no AP	
19	JACKSHAFT - HEADER COUNTERSHAFT	71399519	1	AP1001148	4014486490121
20	ROTARY SCREEN DRIVE	71396754	1	AP1004364	4014486518399

CHALLENGER 680 B

1	BIN UNLOADER DRIVE	71410767	1	AP1001653	4014486486063
2	ELEVATOR DRIVE GRAIN	71403685	1	AP1000696	4014486470772
3	SHAKER SHOE PITMAN DRIVE	71390199	1	AP1003933	4014486485301
4	BEATER DRIVE	71388216	1	AP1004622	4014486717525



MASSEY FERGUSON

NR.	DRIVE	PART NUMBER	SET	AP NR.	EAN
5	MAIN COUNTERSHAFT DRIVE	71403721	1	AP1002009	4014486491395
6	ROTOR PUMP DRIVE	71406285	1	AP1001961	4014486490695
7	PROPULSION PUMP DRIVE	71406286	1	AP1001831	4014486488548
8	FEEDER CONVEYOR DRIVE	71427255	1	AP1000801	4014486472202
9	SPREADER DRIVE (PRIMARY)	71414420	1	AP1000703	4014486470871
10	CHOPPER DRIVE - 1ST STAGE	71406338	1	AP1001648	4014486486001
11	SPREADER DRIVE (SECONDARY)	1680230W1	1	AP1004118	4014486522921
12	CHOPPER DRIVE - 2ND STAGE	71406339	1	AP1003617	4014486486780
13	BEATER TO FEEDER HOUSE JACKSHAFT	71398384	1	AP1004135	4014486523171
14	JACKSHAFT - HEADER COUNTERSHAFT	71399519	1	AP1001148	4014486490121
18	RETURN ELEVATOR DRIVE	71385801	1	AP1003628	4014486519013
19	ROTARY SCREEN DRIVE	71396754	1	AP1004364	4014486518399

MF 27

1	FEEDER DRUM - COUNTERSHAFT	41983500	1	AP1000609	4014486469486
3	COUNTERSHAFT (UPPER) - FEEDER SHAFT	41989200	1	AP1000908	4014486473568
3	COUNTERSHAFT (UPPER) - FEEDER SHAFT	41989400	1	AP1000911	4014486473605
4	FEEDER SHAFT (UPPER) - STRIPPER BEATER	41991700	1	AP1001844	4014486488739
7	INTERMEDIATE SHAFT - ECCENTRIC SHAFT	41982400	1	AP1000585	4014486469066
8	AUGER - LOWER RETURN AUGER (GRAIN)	41990100	1	AP1001377	4014486474916
9	INTERMEDIATE SHAFT - COUNTER SELECTOR	41987800	1	AP1000620	4014486469608
9	COUNTER SELECTOR - INTERMEDIATE SHAFT	41988000	1	AP1000698	4014486470802
10	STRIPPER BEATER - COUNTER SELECTOR	41934800	3	AP1002768	4014486465228
11	COUNTER SELECTOR - ENGINE	41993400	1	AP1003633	4014486488609
12	ENGINE - HYDRAULIC PUMP	41929000	1	AP1000251	4014486463897
12	ENGINE - HYDRAULIC PUMP	41930200	1	AP1000260	4014486464108
12	ENGINE - HYDRAULIC PUMP	D41929000	1	AP1000251	4014486463897
13	COUNTER SELECTOR - COUNTER DRIVE STRAW CHOPPER	41942100	1	AP1000404	4014486466676
14	COUNTER DRIVE STRAW CHOPPER	41987300	1	AP1000815	4014486472400
15	AWNER SHAFT	41912400	1	AP1003380	4014486461749
18	COUNTER SELECTOR - DISCHARGE AUGER	41936200	2	AP1002770	4014486465648
20	FILLING AUGER - STRIPPER BEATER	41982500	1	AP1000585	4014486469066
25	MAIN FAN SELECTOR - STRIPPER BEATER	41987900	1	AP1000575	4014486468847
28	MAIN FAN SELECTOR - MAIN FAN	41982200	1	AP1003232	4014486518658
28	MAIN FAN SELECTOR - MAIN FAN	41987900	1	AP1000575	4014486468847

MF 29

1	FEEDER DRUM - COUNTERSHAFT	41983500	1	AP1000609	4014486469486
1	FEEDER DRUM - COUNTERSHAFT	41983600	1	AP1000609	4014486469486
2	CRANKSHAFT - COUNTERSHAFT	41963900	1	AP1000233	4014486463293
3	COUNTERSHAFT (UPPER) - FEEDER SHAFT	41989200	1	AP1000908	4014486473568
3	COUNTERSHAFT - UPPER BEATER SHAFT	41989400	1	AP1000911	4014486473605
4	FEEDER SHAFT (UPPER) - STRIPPER BEATER	41991700	1	AP1001844	4014486488739
7	INTERMEDIATE SHAFT - ECCENTRIC SHAFT	41982400	1	AP1000585	4014486469066
7	INTERMEDIATE SHAFT - ECCENTRIC SHAFT	41982500	1	AP1000585	4014486469066
8	AUGER - LOWER RETURN AUGER (GRAIN)	41990100	1	AP1001377	4014486474916
8	AUGER - LOWER RETURN AUGER (GRAIN)	41990400	1	AP1003581	4014486474930
9	COUNTER SELECTOR - INTERMEDIATE SHAFT	41987800	1	AP1000620	4014486469608
9	COUNTER SELECTOR - INTERMEDIATE SHAFT	41988000	1	AP1000698	4014486470802
10	STRIPPER BEATER - COUNTER SELECTOR	41934800	3	AP1002768	4014486465228
11	COUNTER SELECTOR - ENGINE	41993400	1	AP1003633	4014486488609
12	ENGINE - HYDRAULIC PUMP	41929000	1	AP1000251	4014486463897
12	ENGINE - HYDRAULIC PUMP	41930200	1	AP1000260	4014486464108
12	ENGINE - HYDRAULIC PUMP	D41929000	1	AP1000251	4014486463897
13	COUNTER SELECTOR - COUNTER DRIVE STRAW CHOPPER	41942100	1	AP1000404	4014486466676
14	COUNTER DRIVE STRAW CHOPPER	41987300	1	AP1000815	4014486472400
15	AWNER SHAFT	41912300	1	AP1003380	4014486461749



MASSEY FERGUSON

NR.	DRIVE	PART NUMBER	SET	AP NR.	EAN
15	AWNER SHAFT	41912400	1	AP1003380	4014486461749
16	COUNTER SELECTOR - THRESHING DRUM	41980900	1	AP1001526	4014486460452
16	COUNTER SELECTOR - THRESHING DRUM	D41980900	1	AP1001526	4014486460452
17	COUNTER SELECTOR - AWNER SHAFT	41990400	1	AP1003581	4014486474930
18	COUNTER SELECTOR - DISCHARGE AUGER	41936200	2	AP1002770	4014486465648
20	FILLING AUGER - STRIPPER BEATER	41982500	1	AP1000585	4014486469066
25	MAIN FAN VARIABLE SPEED DRIVE - STRIPPER BEATER	41987900	1	AP1000575	4014486468847
28	MAIN FAN SELECTOR - MAIN FAN	41982100	1	AP1003232	4014486518658
28	MAIN FAN SELECTOR - MAIN FAN	41982200	1	AP1003232	4014486518658
28	MAIN FAN VARIABLE SPEED DRIVE	41987900	1	AP1000575	4014486468847
MF 30					
1	STRIPPER BEATER - COUNTERSHAFT	41934800	3	AP1002768	4014486465228
2	COUNTERSHAFT (DIESEL ENGINE)	41990051	1	AP1001877	4014486489255
3	DISCHARGE AUGER SHAFT (DIESEL ENGINE)	41990050	1	AP1003920	4014486485189
5	COUNTERSHAFT - INTERMEDIATE DRIVE FOR STRAW	41942200	1	AP1000410	4014486466737
6	KNIFE DRIVE - COUNTERSHAFT	41985600	1	AP1000693	4014486470741
9	FEEDER SHAFT (UPPER) - STRIPPER BEATER	41991700	1	AP1001844	4014486488739
10	INTERMEDIATE SHAFT - ECCENTRIC SHAFT	41982100	1	AP1003232	4014486518658
11	INTERMEDIATE SHAFT - COUNTERSHAFT	41984100	1	AP1000655	4014486470185
12	INTERMEDIATE SHAFT - STRAW SHAKER CRANK	41990068	1	AP1001368	4014486474824
13	INTERMEDIATE SHAFT - STRAW CHOPPER	41978400	1	AP1001725	4014486487084
14	KNIFE DRIVE - COUNTERSHAFT	41986300	1	AP1000756	4014486471571
17	AIR CONDITIONING COMPRESSOR DRIVE	41991000	1	AP1002346	4014486478792
19	AIR CONDITIONING COMPRESSOR DRIVE - SUCTION TRAINER	41990009	1	AP1002357	4014486478907
21	DISCHARGE AUGER SHAFT - INTERMEDIATE DRIVE - ELEVATOR	41979600	1	AP1003347	4014486486285
23	INTERMEDIATE SHAFT - FILL ELEVATOR - STRIP BEATER	41950100	1	AP1000628	4014486469783
25	COUNTERSHAFT - GRAIN SEPARATOR	41982100	1	AP1003232	4014486518658
26	MAIN FAN VARIABLE SPEED DRIVE	41982100	1	AP1003232	4014486518658
27	MAIN FAN VARIABLE SPEED DRIVE - STRIPPER BEATER	41987900	1	AP1000575	4014486468847
28	COUNTERSHAFT - THRESHING DRUM	41980900	1	AP1001526	4014486460452
28	COUNTERSHAFT - THRESHING DRUM	D41980900	1	AP1001526	4014486460452
29	MAIN FAN VARIABLE SPEED DRIVE - RETURN ELEVATOR	41950400	1	AP1000624	4014486520262
MF 31					
1	COUNTERSHAFT - FEEDER DRUM	41983500	1	AP1000609	4014486469486
1	COUNTERSHAFT - FEEDER DRUM	41983600	1	AP1000609	4014486469486
2	COUNTERSHAFT - CRANKSHAFT	41963900	1	AP1000233	4014486463293
3	COUNTERSHAFT - STRIPPER BEATER	41989200	1	AP1000908	4014486473568
3	COUNTERSHAFT - STRIPPER BEATER	41989400	1	AP1000911	4014486473605
4	FEEDER SHAFT (UPPER) - STRIPPER BEATER	41991700	1	AP1001844	4014486488739
7	INTERMEDIATE SHAFT - ECCENTRIC SHAFT	41982400	1	AP1000585	4014486469066
7	INTERMEDIATE SHAFT - ECCENTRIC SHAFT	41982500	1	AP1000585	4014486469066
8	AUGER - LOWER RETURN AUGER (GRAIN)	41990069	1	AP1001378	4014486474923
8	AUGER - LOWER RETURN AUGER (GRAIN)	41990100	1	AP1001377	4014486474916
8	AUGER - LOWER RETURN AUGER (GRAIN)	41990400	1	AP1003581	4014486474930
9	COUNTER SELECTOR - INTERMEDIATE SHAFT	41987800	1	AP1000620	4014486469608
9	COUNTER SELECTOR - INTERMEDIATE SHAFT	41988000	1	AP1000698	4014486470802
10	STRIPPER BEATER - COUNTER SELECTOR	41934800	3	AP1002768	4014486465228
11	COUNTER SELECTOR - ENGINE	41991300	1	AP1001836	4014486488616
11	COUNTER SELECTOR - ENGINE	41993400	1	AP1003633	4014486488609
12	ENGINE - HYDRAULIC PUMP	41930200	1	AP1000260	4014486464108
13	COUNTER SELECTOR - COUNTER DRIVE STRAW CHOPPER	41942100	1	AP1000404	4014486466676
14	COUNTER DRIVE STRAW CHOPPER	41987600	1	AP1000853	4014486472844
15	AWNER SHAFT	41912300	1	AP1003380	4014486461749
15	AWNER SHAFT	41912400	1	AP1003380	4014486461749
16	COUNTER SELECTOR - THRESHING DRUM	41980900	1	AP1001526	4014486460452



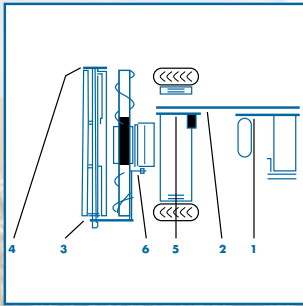
MASSEY FERGUSON

NR.	DRIVE	PART NUMBER	SET	AP NR.	EAN
16	COUNTER SELECTOR - THRESHING DRUM	D41980900	1	AP1001526	4014486460452
17	COUNTER SELECTOR - AWNER SHAFT	41990069	1	AP1001378	4014486474923
17	COUNTER SELECTOR - AWNER SHAFT	41990400	1	AP1003581	4014486474930
18	COUNTER SELECTOR - DISCHARGE AUGER	41936200	2	AP1002770	4014486465648
20	FILLING AUGER - STRIPPER BEATER	41982500	1	AP1000585	4014486469066
25	MAIN FAN SELECTOR - STRIPPER BEATER	41987900	1	AP1000575	4014486468847
28	MAIN FAN SELECTOR - MAIN FAN	41982100	1	AP1003232	4014486518658
28	MAIN FAN SELECTOR - MAIN FAN	41982200	1	AP1003232	4014486518658
28	MAIN FAN SELECTOR - MAIN FAN	41987900	1	AP1000575	4014486468847
MF 32					
1	STRIPPER BEATER - COUNTERSHAFT	41934800	3	AP1002768	4014486465228
2	COUNTERSHAFT (DIESEL ENGINE)	41990051	1	AP1001877	4014486489255
3	DISCHARGE AUGER SHAFT (DIESEL ENGINE)	41990050	1	AP1003920	4014486485189
5	COUNTERSHAFT - INTERMEDIATE DRIVE FOR STRAW	41942200	1	AP1000410	4014486466737
6	KNIFE DRIVE - COUNTERSHAFT	41985600	1	AP1000693	4014486470741
9	FEEDER SHAFT (UPPER) - STRIPPER BEATER	41991700	1	AP1001844	4014486488739
10	INTERMEDIATE SHAFT - ECCENTRIC SHAFT	41982100	1	AP1003232	4014486518658
11	INTERMEDIATE SHAFT - COUNTERSHAFT	41984100	1	AP1000655	4014486470185
12	INTERMEDIATE SHAFT - STRAW SHAKER CRANK	41990068	1	AP1001368	4014486474824
13	INTERMEDIATE SHAFT - STRAW CHOPPER	41978400	1	AP1001725	4014486487084
14	KNIFE DRIVE - COUNTERSHAFT	41986300	1	AP1000756	4014486471571
17	AIR CONDITIONING COMPRESSOR DRIVE	41991000	1	AP1002346	4014486478792
19	AIR CONDITIONING COMPRESSOR DRIVE - SUCTION TRAINER	41990009	1	AP1002357	4014486478907
21	DISCHARGE AUGER SHAFT - INTERMEDIATE DRIVE - ELEVATOR	41979600	1	AP1003347	4014486486285
23	INTERMEDIATE SHAFT - FILL ELEVATOR - STRIP BEATER	41950100	1	AP1000628	4014486469783
25	COUNTERSHAFT - GRAIN SEPARATOR	41982100	1	AP1003232	4014486518658
26	MAIN FAN VARIABLE SPEED DRIVE	41982100	1	AP1003232	4014486518658
27	MAIN FAN VARIABLE SPEED DRIVE - STRIPPER BEATER	41987900	1	AP1000575	4014486468847
28	COUNTERSHAFT - THRESHING DRUM	41980900	1	AP1001526	4014486460452
28	COUNTERSHAFT - THRESHING DRUM	D41980900	1	AP1001526	4014486460452
29	MAIN FAN VARIABLE SPEED DRIVE - RETURN ELEVATOR	41950400	1	AP1000624	4014486520262
MF 34					
11		41979800	1	AP1001990	4014486491104
12		41990001	1	AP1002212	4014486477634
29		41981000	1	AP1001539	4014486460582
MF 38					
1	STRIPPER BEATER - COUNTERSHAFT	41979900	1	AP1003576	4014486492217
3	DISCHARGE AUGER SHAFT (DIESEL ENGINE)	41979100	1	AP1001607	4014486485332
5	COUNTERSHAFT - INTERMEDIATE DRIVE FOR STRAW	41979600	1	AP1003347	4014486486285
6	INTERMEDIATE SHAFT - STRAW CHOPPER	41978900	1	AP1001730	4014486487145
7	KNIFE DRIVE - COUNTERSHAFT	41985600	1	AP1000693	4014486470741
10	STRIPPER BEATER	41979800	1	AP1001990	4014486491104
11	STRIPPER BEATER - INTERMEDIATE SHAFT	41990001	1	AP1002212	4014486477634
12	INTERMEDIATE SHAFT - ECCENTRIC SHAFT	41933700	2	AP1000301	4014486465006
13	INTERMEDIATE SHAFT - STRAW SHAKER CRANK	41979000	1	AP1001632	4014486485776
14	KNIFE DRIVE - COUNTERSHAFT	41986300	1	AP1000756	4014486471571
17	SUCTION TRAINER - DUST EXTRACTOR	41911000	1	AP1000143	4014486461619
19	INTERMEDIATE SHAFT - FILL ELEVATOR	41986100	1	AP1000675	4014486470475
19	INTERMEDIATE SHAFT - FILL ELEVATOR	D41986100	1	AP1000675	4014486470475
20	DUST EXTRACTOR - FILL ELEVATOR	41998800	1	AP1000278	4014486464528
23	DISCHARGE AUGER SHAFT	41978800	1	AP1001683	4014486486544
25	AIR CONDITIONING COMPRESSOR DRIVE	41909000	1	AP1003748	4014486496048
27	MAIN FAN VARIABLE SPEED DRIVE - STRIPPER BEATER	41981200	1	AP1001427	4014486459357
27	MAIN FAN VARIABLE SPEED DRIVE - STRIPPER BEATER	D41981200	1	AP1001427	4014486459357

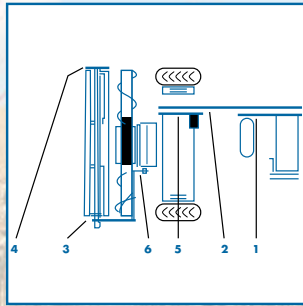


MENGELE

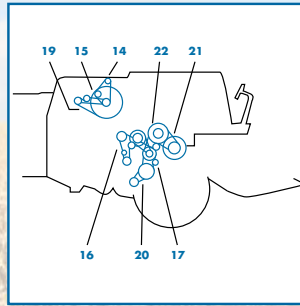
NR.	DRIVE	PART NUMBER	SET	AP NR.	EAN
		04-109135	1	AP1002019	4014486491548
		98-006272	1	AP1000452	4014486467215
		98-011048	1	AP1000466	4014486467376
		98-014367	1	AP1004036	4014486518481
		98-017686	1	AP1000473	4014486467444
		98-017967	3	AP1002214	4014486477658
		98-018167	1	AP1002452	4014486493337
		98-020849	1	AP1000461	4014486467314
		98-021123	1	AP1002562	4014486495157
		98-022200	1	AP1004108	4014486522839
		98-022265	1	AP1000472	4014486467437
		98-022731	1	AP1000138	4014486461558
		98-023422	1	AP1003625	4014486488081
		98-024340	1	AP1000442	4014486467093
		98-025521	1	AP1002045	4014486475210
		98-026937	1	AP1005132	4044978203342
		98-028264	1	AP1000473	4014486467444
		98-028266	1	AP1000466	4014486467376
		98-028267	1	AP1000469	4014486467406
		98-028268	1	AP1000470	4014486467413
		98-028271	1	AP1000458	4014486467277
		98-028534	1	AP1001252	4014486492088
		98-029383	2	AP1002462	4014486493467
		98-029384	2	AP1002487	4014486493894
		98-031590	1	AP1001847	4014486488777
		98-031801	1	AP1004575	4014486717662
		98-031803	1	AP1001899	4014486489583
		98-036045	1	AP1001896	4014486489552
		98-036276	1	AP1001258	4014486492156
		98-036317	1	AP1001010	4014486487923
		98-039776	1	AP1001265	4014486492309
		98-039955	1	AP1001895	4014486489545
		98-041405	1	AP1000560	4014486468595
		98-041414	1	AP1001550	4014486484496
		98-041435	1	AP1002021	4014486491562
		98-041779	1	AP1001897	4014486489569
		98-042197	1	AP1001257	4014486492149
		98-042202	4	AP1003035	4014486477429
		98-042380	4	AP1002301	4014486479898
		98-042442	1	AP1001880	4014486489309
		98-042619	2	AP1002042	4014486475173
		98-043775	1	AP1001908	4014486489705
		98-043776	1	AP1001904	4014486489644
		98-043777	1	AP1001906	4014486489682
		98-043929	1	AP1000559	4014486468564



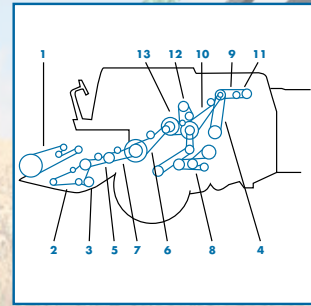
1520



1530



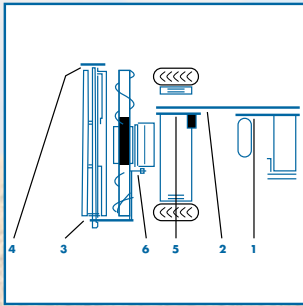
1540 LEFT



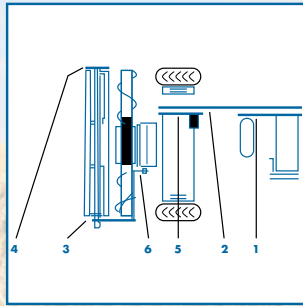
1540 RIGHT

NEW HOLLAND

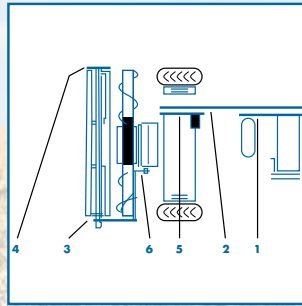
NR.	DRIVE	PART NUMBER	SET	AP NR.	EAN
1520					
1	REEL DRIVE	80333255	1	AP1000775	4014486471847
2	KNIFE DRIVE	337415	1	AP1000625	4014486469738
2	KNIFE DRIVE	80337415	1	AP1000625	4014486469738
3	REEL DRIVE VARIABLE SPEED	80334065	1	AP1001403	4014486459098
4	INTERMEDIATE SHAFT - KNIFE	80330715	1	AP1000726	4014486471182
5	STRAW ELEVATOR DRIVE	80230059	1	AP1000654	4014486470178
8	HYDRAULIC PUMP DRIVE	80230043	1	AP1000224	4014486462913
10	ECCENTRIC DRIVE	80230061	1	AP1004467	4014486715699
11	STRAW WALKER	80230046	1	AP1004468	4014486712124
12	FAN DRIVE (DEUTZ ENGINE)	80327040	1	AP1002267	4014486478358
14	FAN BELT (FORD ENG)	80371222	1	AP1002547	4014486494778
15	TAILINGS ELEVATOR	80230046	1	AP1004468	4014486712124
16	UNLOADING SYSTEM	80326298	1	AP1003489	4014486468427
17	DRUM DRIVE VARIABLE SPEED	80230078	1	AP1001509	4014486460254
18	FAN DRIVE VARIABLE SPEED	330204	1	AP1000243	4014486463613
18	FAN DRIVE VARIABLE SPEED	80330204	1	AP1000243	4014486463613
1530					
1	REEL DRIVE	80333255	1	AP1000775	4014486471847
2	KNIFE DRIVE	80337415	1	AP1000625	4014486469738
3	REEL DRIVE VARIABLE SPEED	80334065	1	AP1001403	4014486459098
4	INTERMEDIATE KNIFE DRIVE	80330715	1	AP1000726	4014486471182
5	STRAW ELEVATOR DRIVE	80230073	1	AP1000904	4014486473506
6	ECCENTRIC SHAFT DRIVE	80230060	1	AP1003534	4014486470536
9	HYDRAULIC PUMP DRIVE	80230043	1	AP1000224	4014486462913
11	FAN DRIVE (DEUTZ ENGINE)	80336386	1	AP1000027	4014486483482
12	ALTERNATOR DRIVE (DEUTZ ENGINE)	386155	1	AP1000022	4014486483420
12	ALTERNATOR DRIVE (DEUTZ ENGINE)	80336426	1	AP1002460	4014486493436
12	ALTERNATOR DRIVE (DEUTZ ENGINE)	80386155	1	AP1000022	4014486483420
13	FAN BELT (FORD ENG)	80371222	1	AP1002547	4014486494778
14	ELEVATOR DRIVE GRAIN	80230059	1	AP1000654	4014486470178
16	TAILINGS ELEVATOR DRIVE	80230057	1	AP1000603	4014486469370
18	UNLOADING SYSTEM	80230103	1	AP1000881	4014486473216
19	DRUM DRIVE VARIABLE SPEED	80230078	1	AP1001509	4014486460254
20	FAN DRIVE VARIABLE SPEED	80230056	1	AP1003232	4014486518658
21	STRAW WALKER - ECCENTRIC	80230108	1	AP1003452	4014486465617
1540					
1	REEL DRIVE	80333255	1	AP1000775	4014486471847
2	KNIFE DRIVE	80337415	1	AP1000625	4014486469738
3	REEL DRIVE VARIABLE SPEED	80334065	1	AP1001403	4014486459098
4	SICKLE KNIFE DRIVE	80362500	2	AP1005139	4044978203410
5	DRUM DRIVE VARIABLE SPEED	80336784	1	AP1001506	4014486460216
7	MAIN SHAFT DRIVE	80323646	1	AP1001949	4014486490541
8	UNLOADING SYSTEM	80333958	1	AP1000715	4014486471052
9	DRUM DRIVE VARIABLE SPEED	80336784	1	AP1001506	4014486460216
12	ELEVATOR DRIVE GRAIN	80230164	1	AP1000622	4014486469660
12	GRAIN ELEVATOR DRIVE	80353584	1	AP1000734	4014486471281
14	TAILINGS ELEVATOR DRIVE	80323413	1	AP1000577	4014486468922
16	FAN DRIVE	80230059	1	AP1000654	4014486470178
19	DEUTZ ENGINE	80336386	1	AP1000027	4014486483482
19	FAN BELT (FORD ENG)	80371222	1	AP1002547	4014486494778
19	DEUTZ ENGINE	80386155	1	AP1000022	4014486483420
0	HYDRAULIC PUMP DRIVE	80350236	1	AP1003640	4014486489002



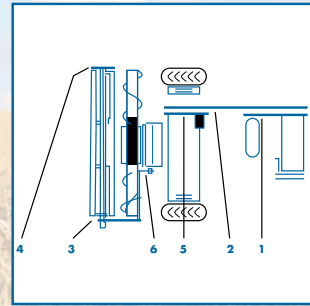
1545



1550



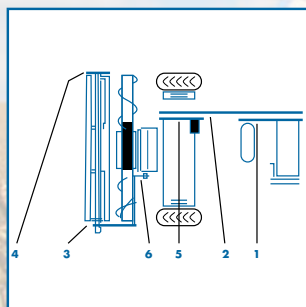
8030



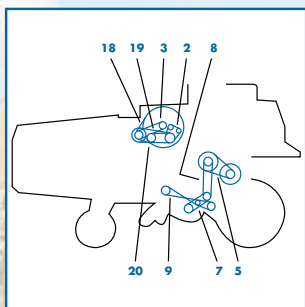
8040

NEW HOLLAND

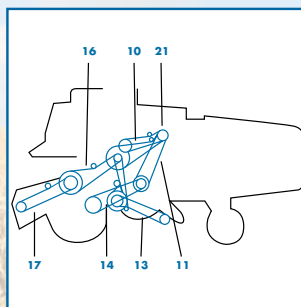
NR.	DRIVE	PART NUMBER	SET	AP NR.	EAN
1545					
1	REEL DRIVE	80333255	1	AP1000775	4014486471847
2	KNIFE DRIVE	80337415	1	AP1000625	4014486469738
3	REEL DRIVE VARIABLE SPEED	80334065	1	AP1001403	4014486459098
5	STRAW ELEVATOR DRIVE	80230073	1	AP1000904	4014486473506
6	ECCENTRIC SHAFT DRIVE	80230060	1	AP1003534	4014486470536
9	HYDRAULIC PUMP DRIVE	80230043	1	AP1000224	4014486462913
11	STRAW WALKER DRIVE	80230108	1	AP1003452	4014486465617
12	FAN BELT (FORD ENG)	80371222	1	AP1002547	4014486494778
13	ELEVATOR DRIVE GRAIN	80230059	1	AP1000654	4014486470178
14	TAILINGS ELEVATOR DRIVE	80230057	1	AP1000603	4014486469370
16	DRUM DRIVE VARIABLE SPEED	80230078	1	AP1001509	4014486460254
17	FAN DRIVE VARIABLE SPEED	80230056	1	AP1003232	4014486518658
1550					
1	REEL DRIVE	80333255	1	AP1000775	4014486471847
2	KNIFE DRIVE	80337415	1	AP1000625	4014486469738
3	REEL DRIVE VARIABLE SPEED	80334065	1	AP1001403	4014486459098
4	INTERMEDIATE SHAFT. KNIFE	80362500	2	AP1005139	4044978203410
5	DRUM DRIVE VARIABLE SPEED	80336784	1	AP1001506	4014486460216
6	HYDRAULIC PUMP DRIVE	80230043	1	AP1000224	4014486462913
7	MAIN SHAFT DRIVE	80323646	1	AP1001949	4014486490541
8	UNLOADING SYSTEM	80333958	1	AP1000715	4014486471052
9	DRUM DRIVE VARIABLE SPEED	80336784	1	AP1001506	4014486460216
10	GROUND SPEED DRIVE	80356025	1	AP1001525	4014486460445
11	GROUND SPEED VARIATOR DRIVE	80356025	1	AP1001525	4014486460445
14	ELEVATOR DRIVE GRAIN	80230164	1	AP1000622	4014486469660
16	TAILINGS ELEVATOR DRIVE	80323413	1	AP1000577	4014486468922
21	GRAIN ELEVATOR DRIVE	80353584	1	AP1000734	4014486471281
8030					
2	FORD ENGINE	80443634	1	AP1002543	4014486494723
6	DRUM DRIVE VARIABLE SPEED	80336784	1	AP1001506	4014486460216
7	FAN DRIVE VARIABLE SPEED	80230057	1	AP1000603	4014486469370
8	FAN DRIVE VARIABLE SPEED	80395955	1	AP1003492	4014486468465
9	STRAW WALKER - ECCENTRIC	80431784	1	AP1000328	4014486465587
13	ELEVATOR DRIVE UNIT	80422731	1	AP1000696	4014486470772
15	ECCENTRIC DRIVE	80387469	1	AP1000700	4014486470833
16	STRAW ELEVATOR DRIVE	80066232	1	AP1000690	4014486470697
17	HEADER DRIVE	80330715	1	AP1000726	4014486471182
8040					
2	ALTERNATOR AND WATERPUMP DRIVE	80443634	1	AP1002543	4014486494723
2	ALTERNATOR AND WATERPUMP DRIVE	80443636	2	AP1002460	4014486493436
5	DRUM DRIVE VARIABLE SPEED	80336784	1	AP1001506	4014486460216
7	CLEANING FAN DRIVE (UPPER)	80230057	1	AP1000603	4014486469370
8	FAN CLEANING DRIVE (LOWER)	80395955	1	AP1003492	4014486468465
9	STRAW WALKER DRIVE	80431784	1	AP1000328	4014486465587
13	ELEVATOR BOTTOM AUGER (GRAIN)	80422731	1	AP1000696	4014486470772
15	ECCENTRIC SHAFT DRIVE	80387469	1	AP1000700	4014486470833
16	STRAW ELEVATOR DRIVE	80066232	1	AP1000690	4014486470697
17	HEADER DRIVE	80330715	1	AP1000726	4014486471182
19	INTERMEDIATE SHAFT - FAN	80427456	1	AP1003351	4014486464603
21	AUGER BOTTOM GRAIN TANK	80230164	1	AP1000622	4014486469660



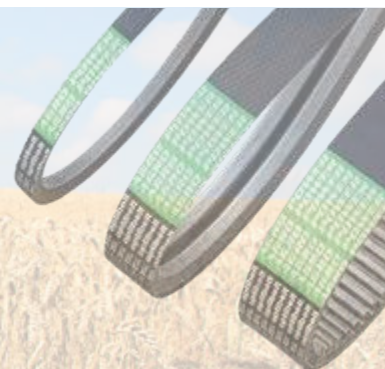
8050



8055 LEFT

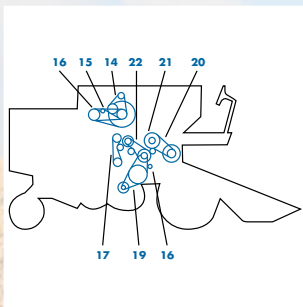


8055 RIGHT

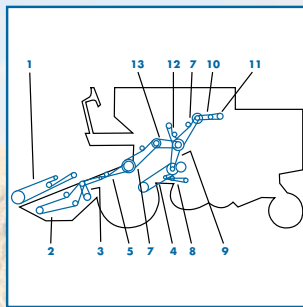


NEW HOLLAND

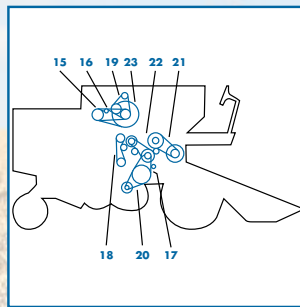
NR.	DRIVE	PART NUMBER	SET	AP NR.	EAN
8050					
1	REEL DRIVE	80333255	1	AP1000775	4014486471847
2	KNIFE DRIVE	80337415	1	AP1000625	4014486469738
3	REEL DRIVE VARIABLE SPEED	80334065	1	AP1001403	4014486459098
5	BEATER DRUM DRIVE	80451481	1	AP1001946	4014486490480
6	STRAW ELEVATOR DRIVE	80393326	1	AP1003323	4014486485677
7	INTERMEDIATE DRIVE	80397297	1	AP1001858	4014486488937
8	STRAW SHAKER	80605529	1	AP1000366	4014486466287
9	GROUND SPEED DRIVE (STANDARD SPEED)	80424318	1	AP1001467	4014486459777
10	STRAW WALKER DRIVE	605529	1	AP1000366	4014486466287
12	DISCHARGE AUGER	80410896	1	AP1000567	4014486468748
14	GROUND SPEED DRIVE	80230077	1	AP1001489	4014486459999
14	SPEED VARIATOR DRIVE	80356024	1	AP1001489	4014486459999
14	FAN BELT (FORD ENG)	80371222	1	AP1002547	4014486494778
15	FAN DRIVE	80399058	1	AP1002599	4014486496055
17	TAILINGS AUGER (SUPERIOR) (GRAIN)	80387469	1	AP1000700	4014486470833
18	FAN DRIVE	80378989	2	AP1000243	4014486463613
19	FAN DRIVE	80388280	1	AP1001410	4014486459173
20	DRUM DRIVE VARIABLE SPEED	80336784	1	AP1001506	4014486460216
21	BEATER DRIVE 8050 (201 = 4406001 - 4411999)	80396750	2	AP1000577	4014486468922
21	BEATER DRIVE 8050 (30 = 4412001 - ...)	80437033	2	AP1003232	4014486518658
22	INTERMEDIATE SHAFT - BEATER DRIVE	80395955	1	AP1003492	4014486468465
8055					
2	ALTERNATOR AND WATERPUMP DRIVE (FORD ENGINE)	80443634	1	AP1002543	4014486494723
5	DRUM DRIVE VARIABLE SPEED	80336784	1	AP1001506	4014486460216
7	FAN DRIVE	80230057	1	AP1000603	4014486469370
8	FAN DRIVE	80395955	1	AP1003492	4014486468465
9	STRAW WALKER DRIVE	80431784	1	AP1000328	4014486465587
10	BEATER DRIVE	80447031	1	AP1001872	4014486489132
13	ELEVATOR BOTTOM AUGER (GRAIN)	80422731	1	AP1000696	4014486470772
15	ECCENTRIC SHAFT DRIVE	80387469	1	AP1000700	4014486470833
16	STRAW ELEVATOR DRIVE	80066232	1	AP1000690	4014486470697
16	STRAW ELEVATOR DRIVE	80424563	1	AP1001765	4014486487480
19	INTERMEDIATE SHAFT - DUST SCREEN DRIVE	80427456	1	AP1003351	4014486464603



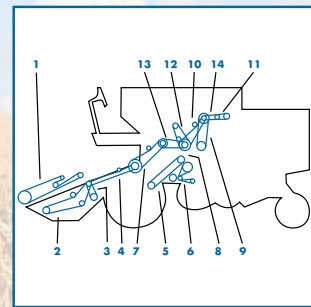
8060 LEFT



8060 RIGHT



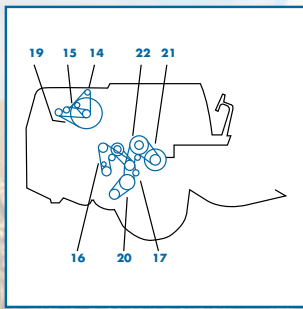
8070 LEFT



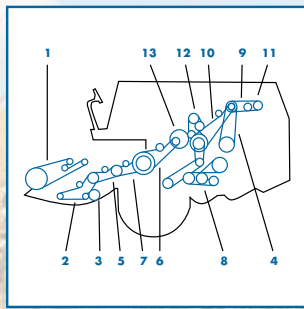
8070 RIGHT

NEW HOLLAND

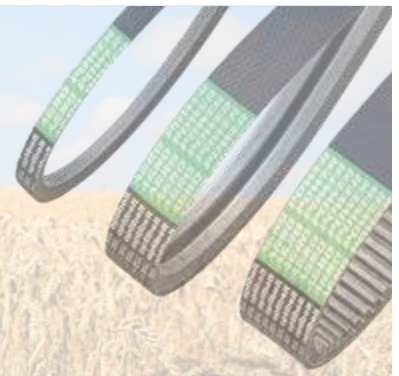
NR.	DRIVE	PART NUMBER	SET	AP NR.	EAN
8060					
1	REEL DRIVE	80333255	1	AP1000775	4014486471847
2	KNIFE DRIVE	80337415	1	AP1000625	4014486469738
3	REEL DRIVE VARIABLE SPEED	80334065	1	AP1001403	4014486459098
6	STRAW ELEVATOR DRIVE	80393326	1	AP1003323	4014486485677
7	DRUM DRIVE VARIABLE SPEED	80397297	1	AP1001858	4014486488937
8	STRAW WALKER DRIVE	80605529	1	AP1000366	4014486466287
12	INTERMEDIATE SHAFT - AUGER (GRAIN)	80410896	1	AP1000567	4014486468748
14	ALTERNATOR DRIVE (FORD 2704 ET)	80371222	1	AP1002547	4014486494778
15	FAN DRIVE	80399058	1	AP1002599	4014486496055
17	TAILINGS AUGER (SUPERIOR) (GRAIN)	80387469	1	AP1000700	4014486470833
18	FAN DRIVE	80378989	2	AP1000243	4014486463613
19	FAN DRIVE	80388280	1	AP1001410	4014486459173
20	DRUM DRIVE VARIABLE SPEED	80336784	1	AP1001506	4014486460216
21	BEATER DRIVE 8060 (330 = 4313001 - 4321999)	80396750	2	AP1000577	4014486468922
21	BEATER DRIVE 8060 (40 = 4322001 - ...)	80437033	2	AP1003232	4014486518658
22	INTERMEDIATE SHAFT - BEATER DRIVE	80395955	1	AP1003492	4014486468465
	GROUND SPEED DRIVE	80230077	1	AP1001489	4014486459999
	SPEED VARIATOR DRIVE	80356024	1	AP1001489	4014486459999
	GROUND SPEED DRIVE (STANDARD SPEED)	80424318	1	AP1001467	4014486459777
	BEATER DRUM DRIVE	80451481	1	AP1001946	4014486490480
8070					
1	REEL DRIVE	80333255	1	AP1000775	4014486471847
2	KNIFE DRIVE	80337415	1	AP1000625	4014486469738
3	REEL DRIVE VARIABLE SPEED	80334065	1	AP1001403	4014486459098
5	GROUND SPEED VARIATOR DRIVE	80356025	1	AP1001525	4014486460445
6	GROUND SPEED DRIVE (STANDARD SPEED) - PULLEY DIAMETER 404 MM	80321559	1	AP1001512	4014486460308
7	STRAW ELEVATOR DRIVE	80393326	1	AP1003323	4014486485677
8	STRAW WALKER DRIVE	80605529	1	AP1000366	4014486466287
9	HYDROSTATIC PUMP DRIVE	80411543	1	AP1003662	4014486490718
10	DRUM DRIVE VARIABLE SPEED	80391650	1	AP1001977	4014486490947
12	INTERMEDIATE SHAFT - AUGER (GRAIN)	80410896	1	AP1000567	4014486468748
13	RE-THRESHER DRIVE	80451481	1	AP1001946	4014486490480
15	FAN DRIVE (MERCEDES OM 401)	80384397	1	AP1004896	4014486740295
17	FAN DRIVE	80378989	2	AP1000243	4014486463613
18	TAILINGS ELEVATOR DRIVE	80387469	1	AP1000700	4014486470833
19	ALTERNATOR DRIVE (FORD 2704 ET)	80371222	1	AP1002547	4014486494778
20	FAN DRIVE VARIABLE SPEED	80388280	1	AP1001410	4014486459173
21	DRUM DRIVE VARIABLE SPEED	80387460	1	AP1001537	4014486460568
21	DRUM DRIVE VARIABLE SPEED	87621086	1	AP1001537	4014486460568
22	COUNTERSHAFT DRIVE	80396750	2	AP1000577	4014486468922
22	COUNTERSHAFT DRIVE	80437033	2	AP1003232	4014486518658
23	VARIATOR DRIVE	80395955	1	AP1003492	4014486468465



8080 LEFT



8080 RIGHT



NEW HOLLAND

NR.	DRIVE	PART NUMBER	SET	AP NR.	EAN
8080					
1	REEL DRIVE	80333255	1	AP1000775	4014486471847
2	KNIFE DRIVE	80337415	1	AP1000625	4014486469738
3	REEL DRIVE VARIABLE SPEED	80334065	1	AP1001403	4014486459098
4	HYDROSTATIC PUMP DRIVE	80411543	1	AP1003662	4014486490718
6	STRAW ELEVATOR DRIVE	80393326	1	AP1003323	4014486485677
7	HEADER DRIVE	80391142	2	AP1000328	4014486465587
7	HEADER DRIVE	80391143	2	AP1000328	4014486465587
8	STRAW WALKER DRIVE	80605529	1	AP1000366	4014486466287
10	DRUM DRIVE VARIABLE SPEED	80391650	1	AP1001977	4014486490947
12	INTERMEDIATE SHAFT - AUGER (GRAIN)	80410896	1	AP1000567	4014486468748
13	RE-THRESHER DRIVE	80451481	1	AP1001946	4014486490480
14	ALTERNATOR DRIVE (MERCEDES ENGINE OM 421)	80432642	1	AP1003746	4014486495928
15	FAN DRIVE (MERCEDES OM 401)	80384397	1	AP1004896	4014486740295
17	FAN DRIVE	80378989	2	AP1000243	4014486463613
18	TAILINGS ELEVATOR DRIVE	80387469	1	AP1000700	4014486470833
20	FAN DRIVE VARIABLE SPEED	80388280	1	AP1001410	4014486459173
21	DRUM DRIVE VARIABLE SPEED	80387460	1	AP1001537	4014486460568
22	COUNTERSHAFT DRIVE	80396750	2	AP1000577	4014486468922
22	COUNTERSHAFT DRIVE	80437033	2	AP1003232	4014486518658
23	VARIATOR DRIVE	80395955	1	AP1003492	4014486468465
9630					
1	MAIN DRIVE	84017742	2	AP1001167	4014486519860
2	DRIVE	84026761	4	AP1002746	4014486461862
3	FAN DRIVE	84012975	2	AP1002087	4014486519129
4	ALTERNATOR DRIVE	84022807	1	AP1001132	4014486497168
5	COMPRESSOR DRIVE	80747177	1	AP1002582	4014486495638
5	COMPRESSOR DRIVE	89835815	1	AP1002588	4014486495812
9640					
1	MAIN DRIVE	84017742	2	AP1001167	4014486519860
2	DRIVE	84026761	4	AP1002746	4014486461862
3	FAN DRIVE	84012975	2	AP1002087	4014486519129
4	ALTERNATOR DRIVE	84022807	1	AP1001132	4014486497168
5	COMPRESSOR DRIVE	80747177	1	AP1002582	4014486495638
5	COMPRESSOR DRIVE	89835815	1	AP1002588	4014486495812
9645					
1	MAIN DRIVE	84017742	2	AP1001167	4014486519860
2	DRIVE	84026761	4	AP1002746	4014486461862
3	FAN DRIVE	84012975	2	AP1002087	4014486519129
4	ALTERNATOR DRIVE	84022807	1	AP1001132	4014486497168
5	COMPRESSOR DRIVE	80747177	1	AP1002582	4014486495638
5	COMPRESSOR DRIVE	89835815	1	AP1002588	4014486495812
NEW HOLLAND					
11		89814069	1	AP1001557	4014486484564
12		89593440	1	AP1000816	4014486472417
16		84004444	1	AP1001657	4014486486117
16	SELF LEVELLING	84005417	1	AP1001655	4014486486094
		84995733	1	AP1005291	
		84995733	1	AP1005291	
		86514163	1	AP1005039	4014486920420
		756971	1	AP1005148	4044978203502
		824175	1	AP1005216	4044978222701



NEW HOLLAND

NR.	DRIVE	PART NUMBER	SET	AP NR.	EAN
		824516	1	AP1005325	
		824518	1	AP1002588	
		80362500	2	AP1005139	4044978203410
		80445640	1	AP1003492	4014486468465
		80446780	1	AP1005157	4044978203489
		80754285	1	AP1005144	
		89514989	1	AP1001679	4014486486483
		89817454	1	AP1000081	4014486484021
		89832309	1	AP1001861	4014486488975
		89850770	1	AP1005144	4044978203465
		47837780	1	AP1005327	
		K68073	1	AP1002465	4014486493504
1540 AL					
1	REEL DRIVE	80333255	1	AP1000775	4014486471847
2	KNIFE DRIVE	80337415	1	AP1000625	4014486469738
3	REEL DRIVE VARIABLE SPEED	80334065	1	AP1001403	4014486459098
4	SICKLE KNIFE DRIVE	80362500	2	AP1005139	4044978203410
5	DRUM DRIVE VARIABLE SPEED	80336784	1	AP1001506	4014486460216
7	MAIN SHAFT DRIVE	80323646	1	AP1001949	4014486490541
8	UNLOADING SYSTEM	80333958	1	AP1000715	4014486471052
9	DRUM DRIVE VARIABLE SPEED	80336784	1	AP1001506	4014486460216
12	ELEVATOR DRIVE GRAIN	80230164	1	AP1000622	4014486469660
12	GRAIN ELEVATOR DRIVE	80353584	1	AP1000734	4014486471281
14	TAILINGS ELEVATOR DRIVE	80323413	1	AP1000577	4014486468922
16	FAN DRIVE	80230059	1	AP1000654	4014486470178
19	DEUTZ ENGINE	80336386	1	AP1000027	4014486483482
19	DEUTZ ENGINE	80386155	1	AP1000022	4014486483420
0	HYDRAULIC PUMP DRIVE	80350236	1	AP1003640	4014486489002
CR 6090					
6	DRUM VARIATOR (PRIOR TO SER NR 29/07/2012)	87676816	1	AP1005299	
CR 7090					
6	DRUM VARIATOR (PRIOR TO SER NR 29/07/2012)	87676816	1	AP1005299	
CR 8080					
6	DRUM VARIATOR (PRIOR TO SER NR 29/07/2012)	87676816	1	AP1005299	
CR 9060					
2	STRAW ELEVATOR DRIVE 4HB	84072421	1	AP1002036	4014486491722
4	UNLOADING AUGER	87011585	1	AP1001636	4014486485844
5	MAIN DRIVE	87580097	1	AP1001978	4014486490954
6	CHOPPER DRIVE	87580100	1	AP1004127	4014486523096
7	BEATER DRIVE	87580099	1	AP1001627	4014486485660
8	BEATER DRIVE	86566287	1	AP1000532	4014486518818
9	SHAKER SHOE DRIVE - SELF-LEVELLING	84056913	2	AP1000265	4014486464207
10	CHOPPER DRIVE	87526022	1	AP1001647	4014486485998
11	AIR CONDITIONER UNIT : MOUNTING GROUP - WITHOUT HEATING	84818007	1	AP1002621	4014486480146
12	DRIVE, ROTARY SCREEN AND FAN	445930	1	AP1002074	4014486475623
13	DRIVE, ROTARY SCREEN AND FAN	84057085	1	AP1000175	4014486462036
14	DRIVE, ROTARY SCREEN AND FAN	87556830	1	AP1004157	4014486523362
15	ROTOR VARIATOR (REINFORCED BELT)	87676816	1	AP1005299	
16	FEEDER DRIVE	86589482	1	AP1001914	4014486489774
17	TAILINGS ELEVATORS, BOTTOM AUGER AND (RH)	84058339	2	AP1000200	4014486462388
18	GRAIN ELEVATOR , DRIVE	87319821	1	AP1004066	4014486519396
19	FAN VARI-DRIVE	84817627	1	AP1001135	4014486497199



NEW HOLLAND

NR.	DRIVE	PART NUMBER	SET	AP NR.	EAN
CR 9060 ELEVATION					
2	STRAW ELEVATOR DRIVE 4HB	87545653	1	AP1004148	4014486523294
4	UNLOADING AUGER	87011585	1	AP1001636	4014486485844
5	MAIN DRIVE	87545651	1	AP1004150	4014486523317
6	CHOPPER DRIVE	87557181	1	AP1004139	4014486523195
7	BEATER DRIVE	87546479	1	AP1001636	4014486485844
8	BEATER DRIVE	87315599	1	AP1005121	4014486470901
9	SHAKER SHOE DRIVE - SELF-LEVELLING	87325684	2	AP1004179	4014486523034
10	CHOPPER DRIVE	87526022	1	AP1001647	4014486485998
11	AIR CONDITIONER UNIT : MOUNTING GROUP, UNTIL BSN C 603	84818007	1	AP1002621	4014486480146
12	ROTARY SCREEN DRIVE AND FAN	87284244	2	AP1004162	4014486523409
13	DRIVE, ROTARY SCREEN AND FAN	84057085	1	AP1000175	4014486462036
13	DRIVE, ROTARY SCREEN AND FAN, UNTIL BSN C 599	84057085	1	AP1000175	4014486462036
13	DRIVE, ROTARY SCREEN AND FAN, FROM ASN D 600	87664428	1	AP1004111	4014486522860
14	ALTERNATOR DRIVE	747177	1	AP1002582	4014486495638
15	ROTOR VARIATOR (REINFORCED BELT)	87676816	1	AP1005299	
16	HYDRAULIC FAN DRIVE	87636309	1	AP1004115	4014486522907
17	FEEDER DRIVE	86589482	1	AP1001914	4014486489774
18	TAILINGS ELEVATORS, BOTTOM AUGER AND (RH)	84058339	2	AP1000200	4014486462388
19	GRAIN ELEVATOR , DRIVE	87319821	1	AP1004066	4014486519396
CR 9070 ELEVATION					
2	STRAW ELEVATOR DRIVE 4HB	87545653	1	AP1004148	4014486523294
4	UNLOADING AUGER	87011585	1	AP1001636	4014486485844
5	MAIN DRIVE	87545651	1	AP1004150	4014486523317
6	CHOPPER DRIVE	87557181	1	AP1004139	4014486523195
7	BEATER DRIVE	87546479	1	AP1001636	4014486485844
8	BEATER DRIVE	87315599	1	AP1005121	4014486470901
9	SHAKER SHOE DRIVE - SELF-LEVELLING	87325684	2	AP1004179	4014486523034
10	CHOPPER DRIVE	87526022	1	AP1001647	4014486485998
11	AIR CONDITIONER UNIT : MOUNTING GROUP, UNTIL BSN C 603	84818007	1	AP1002621	4014486480146
11	AIR CONDITIONER UNIT : MOUNTING GROUP - WITHOUT HEATING, FROM ASN D 604	84818008	1	AP1004045	4014486519280
12	ROTARY SCREEN DRIVE AND FAN	87284244	2	AP1004162	4014486523409
13	DRIVE, ROTARY SCREEN AND FAN, UNTIL BSN C 599	84057085	1	AP1000175	4014486462036
13	DRIVE, ROTARY SCREEN AND FAN, ASN D 600	87664428	1	AP1004111	4014486522860
14	ALTERNATOR DRIVE	747177	1	AP1002582	4014486495638
15	ROTOR VARIATOR	87676816	1	AP1005299	
16	HYDRAULIC FAN DRIVE	87636309	1	AP1004115	4014486522907
17	FEEDER DRIVE	86589482	1	AP1001914	4014486489774
18	TAILINGS ELEVATORS, BOTTOM AUGER AND (RH)	84058339	2	AP1000200	4014486462388
19	GRAIN ELEVATOR , DRIVE	87319821	1	AP1004066	4014486519396
CR 9080					
2	STRAW ELEVATOR DRIVE 4HB	84072421	1	AP1002036	4014486491722
4	UNLOADING AUGER	87011585	1	AP1001636	4014486485844
5	MAIN DRIVE	87580097	1	AP1001978	4014486490954
6	CHOPPER DRIVE	87580100	1	AP1004127	4014486523096
7	BEATER DRIVE	87580099	1	AP1001627	4014486485660
8	BEATER DRIVE	86566287	1	AP1000532	4014486518818
9	SHAKER SHOE DRIVE - SELF-LEVELLING	84056913	2	AP1000265	4014486464207
10	CHOPPER DRIVE	87526022	1	AP1001647	4014486485998
11	AIR CONDITIONER UNIT : MOUNTING GROUP - WITHOUT HEATING	84818008	1	AP1004045	4014486519280
12	DRIVE, ROTARY SCREEN AND FAN	445930	1	AP1002074	4014486475623
13	DRIVE, ROTARY SCREEN AND FAN	84057085	1	AP1000175	4014486462036
14	DRIVE, ROTARY SCREEN AND FAN	87556830	1	AP1004157	4014486523362
15	ROTOR VARIATOR	87053803	1	no AP	



NEW HOLLAND

NR.	DRIVE	PART NUMBER	SET	AP NR.	EAN
16	FEEDER DRIVE	86589482	1	AP1001914	4014486489774
17	TAILINGS ELEVATORS, BOTTOM AUGER AND (RH)	84058339	2	AP1000200	4014486462388
18	GRAIN ELEVATOR , DRIVE	87319821	1	AP1004066	4014486519396
19	FAN VARI-DRIVE	84817627	1	AP1001135	4014486497199
CR 9080 ELEVATION					
2	STRAW ELEVATOR DRIVE 4HB	87545653	1	AP1004148	4014486523294
4	UNLOADING AUGER	87011585	1	AP1001636	4014486485844
5	MAIN DRIVE	87545651	1	AP1004150	4014486523317
6	CHOPPER DRIVE	87557181	1	AP1004139	4014486523195
7	BEATER DRIVE	87546479	1	AP1001636	4014486485844
8	BEATER DRIVE	87315599	1	AP1005121	4014486470901
9	SHAKER SHOE DRIVE - SELF-LEVELLING	87325684	2	AP1004179	4014486523034
10	CHOPPER DRIVE	87526022	1	AP1001647	4014486485998
11	AIR CONDITIONER UNIT : MOUNTING GROUP, UNTIL BSN C 603	84818007	1	AP1002621	4014486480146
11	AIR CONDITIONER UNIT : MOUNTING GROUP - WITHOUT HEATING, FROM ASN D 604	84818008	1	AP1004045	4014486519280
12	ROTARY SCREEN DRIVE AND FAN	87284244	2	AP1004162	4014486523409
13	ROTARY DUST SCREEN DRIVE	9513136	1	AP1004110	4014486522853
14	ALTERNATOR DRIVE	747177	1	AP1002582	4014486495638
16	HYDRAULIC FAN DRIVE	87636309	1	AP1004115	4014486522907
17	FEEDER DRIVE	86589482	1	AP1001914	4014486489774
18	TAILINGS ELEVATORS, BOTTOM AUGER AND (RH)	84058339	2	AP1000200	4014486462388
19	GRAIN ELEVATOR , DRIVE	87319821	1	AP1004066	4014486519396
CR 960					
2	STRAW ELEVATOR DRIVE 4HB	84072421	1	AP1002036	4014486491722
4	UNLOADING AUGER	87011585	1	AP1001636	4014486485844
5	MAIN DRIVE	87580097	1	AP1001978	4014486490954
6	CHOPPER DRIVE	84320963	1	AP1001646	4014486485981
7	BEATER DRIVE	87580099	1	AP1001627	4014486485660
8	BEATER DRIVE	86566287	1	AP1000532	4014486518818
9	SHAKER SHOE DRIVE - SELF-LEVELLING	84056913	2	AP1000265	4014486464207
10		84320963	1	AP1001646	4014486485981
12	DRIVE, ROTARY SCREEN AND FAN	445930	1	AP1002074	4014486475623
13	DRIVE, ROTARY SCREEN AND FAN	84057085	1	AP1000175	4014486462036
14	ALTERNATOR DRIVE	747177	1	AP1002582	4014486495638
16	FEEDER DRIVE	86589482	1	AP1001914	4014486489774
17	TAILINGS ELEVATORS, BOTTOM AUGER AND (RH)	84058339	2	AP1000200	4014486462388
18	GRAIN ELEVATOR, DRIVE	87319821	1	AP1004066	4014486519396
19	CLEANING FAN, FIXED SHOE, SIEVE FIXED	919739	1	AP1001136	4014486497205
19	FAN VARI-DRIVE	84817627	1	AP1001135	4014486497199
CR 980					
2	STRAW ELEVATOR DRIVE 4HB	84072421	1	AP1002036	4014486491722
4	UNLOADING AUGER	87011585	1	AP1001636	4014486485844
5	MAIN DRIVE	87580097	1	AP1001978	4014486490954
6	CHOPPER DRIVE	84320963	1	AP1001646	4014486485981
7	BEATER DRIVE	87580099	1	AP1001627	4014486485660
8	BEATER DRIVE	86566287	1	AP1000532	4014486518818
9	SHAKER SHOE DRIVE - SELF-LEVELLING	84056913	2	AP1000265	4014486464207
10		84320963	1	AP1001646	4014486485981
12	DRIVE, ROTARY SCREEN AND FAN	445930	1	AP1002074	4014486475623
13	DRIVE, ROTARY SCREEN AND FAN	84057085	1	AP1000175	4014486462036
14	ALTERNATOR DRIVE	747177	1	AP1002582	4014486495638
15	ROTOR VARIATOR	87053803	1	no AP	
16	FEEDER DRIVE	86589482	1	AP1001914	4014486489774



NEW HOLLAND

NR.	DRIVE	PART NUMBER	SET	AP NR.	EAN
17	TAILINGS ELEVATORS, BOTTOM AUGER AND (RH)	84058339	2	AP1000200	4014486462388
18	GRAIN ELEVATOR, DRIVE	87319821	1	AP1004066	4014486519396
19	CLEANING FAN, FIXED SHOE, SIEVE FIXED	919739	1	AP1001136	4014486497205
19	FAN VARI-DRIVE	84817627	1	AP1001135	4014486497199
CR960					
	ALTERNATOR/WATERPUMP	500371653	1	AP1004934	4014486712162
CS 520					
1	ALTERNATOR, WATERPUMP AND AIR COMPRESSOR	84817638	1	AP1003807	4014486483048
2	MAIN TRANSMISSION	84993120	1	AP1002011	4014486491418
5	CHOPPER DRIVE	84076421	1	AP1001705	4014486486827
6	CHOPPER DRIVE	84075955	1	AP1003347	4014486486285
7	GRASS SEED EQUIPMENT	84452153	1	AP1004044	4014486518313
8	GRASS SEED EQUIPMENT	84452112	1	AP1004114	4014486522891
9	ELEVATOR BOTTOM DRIVE GRAIN	80422731	1	AP1000696	4014486470772
10	FAN DRIVE VARIABLE SPEED	84073979	1	AP1001421	4014486459289
11	SHAKER SHOE DRIVE	84015531	1	AP1000601	4014486469332
12	STRAW WALKER DRIVE	84073276	1	AP1000340	4014486465877
13	DRUM DRIVE	84072772	1	AP1001237	4014486491913
13	DRUM DRIVE (LOW DRUM SPEED)	84072815	1	AP1001952	4014486490572
14	ROTARY SEPARATOR DRIVE AND SHAFT	84073933	1	AP1000566	4014486468731
15	DRUM DRIVE VARIABLE SPEED	84035748	1	AP1001316	4014486497892
16	STRAW ELEVATOR DRIVE 3HB	84982278	1	AP1001697	4014486486735
16	STRAW ELEVATOR DRIVE 2HB (FOR CS520 ONLY)	84991234	1	AP1001922	4014486489903
17	HEADER DRIVE ENGAGING IDLER (2HB ONLY)	84446792	1	AP1003326	4014486486087
18	AIR COMPRESSOR - BLOW-OFF SYSTEM	84061465	1	AP1002586	4014486495775
19	ROTARY SCREEN AND FAN	84061465	1	AP1002586	4014486495775
19	ROTARY SCREEN AND FAN	84989965	1	AP1000169	4014486461954
20	HYDROSTATIC PUMP DRIVE (NOT FOR CS660)	84607712	1	AP1001850	4014486488838
21	HYDRAULIC PUMP DRIVE	80427456	1	AP1003351	4014486464603
22	UNLOADING AUGER DRIVE	84991836	1	AP1000653	4014486470161
CS 540					
1	ALTERNATOR, WATERPUMP AND AIR COMPRESSOR	84817638	1	AP1003807	4014486483048
2	MAIN TRANSMISSION	84993120	1	AP1002011	4014486491418
5	CHOPPER DRIVE	84076421	1	AP1001705	4014486486827
6	CHOPPER DRIVE	84075955	1	AP1003347	4014486486285
7	GRASS SEED EQUIPMENT	84452153	1	AP1004044	4014486518313
8	GRASS SEED EQUIPMENT	84452112	1	AP1004114	4014486522891
9	ELEVATOR BOTTOM DRIVE GRAIN	80422731	1	AP1000696	4014486470772
10	FAN DRIVE VARIABLE SPEED	84073979	1	AP1001421	4014486459289
11	SHAKER SHOE DRIVE	84015531	1	AP1000601	4014486469332
12	STRAW WALKER DRIVE	84073276	1	AP1000340	4014486465877
13	DRUM DRIVE	84072772	1	AP1001237	4014486491913
13	DRUM DRIVE (LOW DRUM SPEED)	84072815	1	AP1001952	4014486490572
14	ROTARY SEPARATOR DRIVE AND SHAFT	84073933	1	AP1000566	4014486468731
15	DRUM DRIVE VARIABLE SPEED	84035748	1	AP1001316	4014486497892
16	STRAW ELEVATOR DRIVE 2HB (NOT FOR CS520)	84981586	1	AP1001720	4014486487022
16	STRAW ELEVATOR DRIVE 3HB	84982278	1	AP1001697	4014486486735
17	HEADER DRIVE ENGAGING IDLER (2HB ONLY)	84446792	1	AP1003326	4014486486087
17	HEADER DRIVE ENGAGING IDLER (3HB ONLY/NOT CS520)	89817374	1	AP1001876	4014486489231
18	AIR COMPRESSOR - BLOW-OFF SYSTEM	84061465	1	AP1002586	4014486495775
19	ROTARY SCREEN AND FAN	84061465	1	AP1002586	4014486495775
19	ROTARY SCREEN AND FAN	84989965	1	AP1000169	4014486461954
20	HYDROSTATIC PUMP DRIVE (NOT FOR CS660)	84607712	1	AP1001850	4014486488838
21	HYDRAULIC PUMP DRIVE	80427456	1	AP1003351	4014486464603



NEW HOLLAND

NR.	DRIVE	PART NUMBER	SET	AP NR.	EAN
22	UNLOADING AUGER DRIVE	84991836	1	AP1000653	4014486470161
CS 6050					
2	STRAW ELEVATOR DRIVE, 2HB	84981586	1	AP1001720	4014486487022
2	STRAW ELEVATOR DRIVE, 3HB	84991234	1	AP1001922	4014486489903
3	HEADER DRIVE ENGAGING IDLER 2HB ONLY	84446792	1	AP1003326	4014486486087
3	HEADER DRIVE ENGAGING IDLER 3HB ONLY	89817374	1	AP1001876	4014486489231
4	DRUM VARIATOR	84035748	1	AP1001316	4014486497892
5	GRAIN TANK UNLOADING	84462590	1	AP1000653	4014486470161
6	MAIN DRIVE	84993120	1	AP1002011	4014486491418
7	HYDROSTATIC PUMP DRIVE	80427456	1	AP1003351	4014486464603
8	HYDROSTATIC PUMP DRIVE	84607712	1	AP1001850	4014486488838
9	STRAW WALKER DRIVE	87521887	1	AP1000341	4014486465884
10	GRAIN ELEVATOR BOTTOM AUGER	80422731	1	AP1000696	4014486470772
13	CHOPPER DRIVE	84075955	1	AP1003347	4014486486285
14	CHOPPER DRIVE	84076421	1	AP1001705	4014486486827
15	DRIVE, ROTARY SCREEN AND FAN	84061465	1	AP1002586	4014486495775
16	DRIVE, ROTARY SCREEN AND FAN	84989965	1	AP1000169	4014486461954
17	ALTERNATOR DRIVE	747177	1	AP1002582	4014486495638
18	DRUM DRIVE	84072772	1	AP1001237	4014486491913
18	DRUM DRIVE, ROTATION SPEED SLOW	84072815	1	AP1001952	4014486490572
19	STRAW SHAKER DRIVE	84817635	1	AP1000601	4014486469332
20	FAN VARI-DRIVE	84073979	1	AP1001421	4014486459289
21	ROTARY SEPARATOR DRIVE AND SHAFT	84073933	1	AP1000566	4014486468731
22		84075955	1	AP1003347	4014486486285
23		84076421	1	AP1001705	4014486486827
CS 6070					
2	STRAW ELEVATOR DRIVE, 2HB	84981586	1	AP1001720	4014486487022
2	STRAW ELEVATOR DRIVE, 3HB	84991234	1	AP1001922	4014486489903
3	HEADER DRIVE ENGAGING IDLER 2HB ONLY	84446792	1	AP1003326	4014486486087
3	HEADER DRIVE ENGAGING IDLER 3HB ONLY	89817374	1	AP1001876	4014486489231
4	DRUM VARIATOR	84035748	1	AP1001316	4014486497892
5	GRAIN TANK UNLOADING	84462590	1	AP1000653	4014486470161
6	MAIN DRIVE	84993120	1	AP1002011	4014486491418
7	HYDROSTATIC PUMP DRIVE	80427456	1	AP1003351	4014486464603
8	HYDROSTATIC PUMP DRIVE	84607712	1	AP1001850	4014486488838
9	STRAW WALKER DRIVE	87521887	1	AP1000341	4014486465884
10	GRAIN ELEVATOR BOTTOM AUGER	80422731	1	AP1000696	4014486470772
13	CHOPPER DRIVE	84075955	1	AP1003347	4014486486285
14	CHOPPER DRIVE	84076421	1	AP1001705	4014486486827
15	DRIVE, ROTARY SCREEN AND FAN	84061465	1	AP1002586	4014486495775
16	DRIVE, ROTARY SCREEN AND FAN	84989965	1	AP1000169	4014486461954
17	ALTERNATOR DRIVE	747177	1	AP1002582	4014486495638
18	DRUM DRIVE	84072772	1	AP1001237	4014486491913
18	DRUM DRIVE, ROTATION SPEED SLOW	84072815	1	AP1001952	4014486490572
19	STRAW SHAKER DRIVE	84817635	1	AP1000601	4014486469332
20	FAN VARI-DRIVE	84073979	1	AP1001421	4014486459289
21	ROTARY SEPARATOR DRIVE AND SHAFT	84073933	1	AP1000566	4014486468731
22		84075955	1	AP1003347	4014486486285
23		84076421	1	AP1001705	4014486486827
25	CHAFF SPREADER	84790356	1	AP1004472	4014486712148
CS 6080					
2	STRAW ELEVATOR DRIVE, 2HB	84981586	1	AP1001720	4014486487022
2	STRAW ELEVATOR DRIVE, 3HB	84991234	1	AP1001922	4014486489903
3	HEADER DRIVE ENGAGING IDLER 2HB ONLY	84446792	1	AP1003326	4014486486087



NEW HOLLAND

NR.	DRIVE	PART NUMBER	SET	AP NR.	EAN
3	HEADER DRIVE ENGAGING IDLER 3HB ONLY	89817374	1	AP1001876	4014486489231
4	DRUM VARIATOR	84035748	1	AP1001316	4014486497892
5	GRAIN TANK UNLOADING	84462590	1	AP1000653	4014486470161
6	MAIN DRIVE	84993120	1	AP1002011	4014486491418
7	HYDROSTATIC PUMP DRIVE	80427456	1	AP1003351	4014486464603
8	HYDROSTATIC PUMP DRIVE	84607712	1	AP1001850	4014486488838
9	STRAW WALKER DRIVE	87521887	1	AP1000341	4014486465884
10	GRAIN ELEVATOR BOTTOM AUGER	80422731	1	AP1000696	4014486470772
13	CHOPPER DRIVE	84075955	1	AP1003347	4014486486285
14	CHOPPER DRIVE	84076421	1	AP1001705	4014486486827
15	DRIVE, ROTARY SCREEN AND FAN	84061463	2	AP1004160	4014486523386
16	DRIVE, ROTARY SCREEN AND FAN	87374615	1	AP1004049	4014486518436
17	ALTERNATOR DRIVE	84817626	1	AP1002579	4014486495560
18	DRUM DRIVE	84072772	1	AP1001237	4014486491913
18	DRUM DRIVE, ROTATION SPEED SLOW	84072815	1	AP1001952	4014486490572
19	STRAW SHAKER DRIVE	84817635	1	AP1000601	4014486469332
20	FAN VARI-DRIVE	84073979	1	AP1001421	4014486459289
21	ROTARY SEPARATOR DRIVE AND SHAFT	84073933	1	AP1000566	4014486468731
22		84075955	1	AP1003347	4014486486285
23		84076421	1	AP1001705	4014486486827
25	CHAFF SPREADER	84790356	1	AP1004472	4014486712148
CS 6090					
2	STRAW ELEVATOR DRIVE, 2HB	84981586	1	AP1001720	4014486487022
2	STRAW ELEVATOR DRIVE, 3HB	84991234	1	AP1001922	4014486489903
3	HEADER DRIVE ENGAGING IDLER 2HB ONLY	84446792	1	AP1003326	4014486486087
3	HEADER DRIVE ENGAGING IDLER 3HB ONLY	89817374	1	AP1001876	4014486489231
4	DRUM VARIATOR	84035748	1	AP1001316	4014486497892
5	GRAIN TANK UNLOADING	84462590	1	AP1000653	4014486470161
6	MAIN DRIVE	84993120	1	AP1002011	4014486491418
7	HYDROSTATIC PUMP DRIVE	80427456	1	AP1003351	4014486464603
8	HYDROSTATIC PUMP DRIVE	84607713	1	AP1001853	4014486488876
9	STRAW WALKER DRIVE	87521887	1	AP1000341	4014486465884
10	GRAIN ELEVATOR BOTTOM AUGER	80422731	1	AP1000696	4014486470772
13	CHOPPER DRIVE	84075955	1	AP1003347	4014486486285
14	CHOPPER DRIVE	84076421	1	AP1001705	4014486486827
15	DRIVE, ROTARY SCREEN AND FAN	84061463	2	AP1004160	4014486523386
16	DRIVE, ROTARY SCREEN AND FAN	87374615	1	AP1004049	4014486518436
17	ALTERNATOR DRIVE	84817626	1	AP1002579	4014486495560
18	DRUM DRIVE	84072772	1	AP1001237	4014486491913
18	DRUM DRIVE, ROTATION SPEED SLOW	84072815	1	AP1001952	4014486490572
19	STRAW SHAKER DRIVE	84817635	1	AP1000601	4014486469332
20	FAN VARI-DRIVE	84073979	1	AP1001421	4014486459289
21	ROTARY SEPARATOR DRIVE AND SHAFT	84073933	1	AP1000566	4014486468731
22		84075955	1	AP1003347	4014486486285
23		84076421	1	AP1001705	4014486486827
25	CHAFF SPREADER	84790356	1	AP1004472	4014486712148
CS 640					
1	ALTERNATOR, WATERPUMP AND AIR COMPRESSOR	84817638	1	AP1003807	4014486483048
2	MAIN TRANSMISSION	84993120	1	AP1002011	4014486491418
3	CHAFF SPREADER DRIVE (FOR CS640 AND CS660 ONLY)	84790356	1	AP1004472	4014486712148
5	CHOPPER DRIVE	84076421	1	AP1001705	4014486486827
6	CHOPPER DRIVE	84075955	1	AP1003347	4014486486285
7	GRASS SEED EQUIPMENT	84452153	1	AP1004044	4014486518313
8	GRASS SEED EQUIPMENT	84452112	1	AP1004114	4014486522891
9	ELEVATOR BOTTOM DRIVE GRAIN	80422731	1	AP1000696	4014486470772



NEW HOLLAND

NR.	DRIVE	PART NUMBER	SET	AP NR.	EAN
10	FAN DRIVE VARIABLE SPEED	84073979	1	AP1001421	4014486459289
11	SHAKER SHOE DRIVE	84015531	1	AP1000601	4014486469332
12	STRAW WALKER DRIVE	84073276	1	AP1000340	4014486465877
13	DRUM DRIVE	84072772	1	AP1001237	4014486491913
13	DRUM DRIVE (LOW DRUM SPEED)	84072815	1	AP1001952	4014486490572
14	ROTARY SEPARATOR DRIVE AND SHAFT	84073933	1	AP1000566	4014486468731
15	DRUM DRIVE VARIABLE SPEED	84035748	1	AP1001316	4014486497892
16	STRAW ELEVATOR DRIVE 2HB (NOT FOR CS520)	84981586	1	AP1001720	4014486487022
16	STRAW ELEVATOR DRIVE 3HB	84982278	1	AP1001697	4014486486735
17	HEADER DRIVE ENGAGING IDLER (2HB ONLY)	84446792	1	AP1003326	4014486486087
17	HEADER DRIVE ENGAGING IDLER (3HB ONLY/NOT CS520)	89817374	1	AP1001876	4014486489231
18	AIR COMPRESSOR - BLOW-OFF SYSTEM	84061465	1	AP1002586	4014486495775
19	ROTARY SCREEN AND FAN	84061465	1	AP1002586	4014486495775
19	ROTARY SCREEN AND FAN	84989965	1	AP1000169	4014486461954
20	HYDROSTATIC PUMP DRIVE (NOT FOR CS660)	84607712	1	AP1001850	4014486488838
21	HYDRAULIC PUMP DRIVE	80427456	1	AP1003351	4014486464603
22	UNLOADING AUGER DRIVE	84991836	1	AP1000653	4014486470161
CS 660					
1	ALTERNATOR, WATERPUMP AND AIR COMPRESSOR	84817638	1	AP1003807	4014486483048
2	MAIN TRANSMISSION	84993120	1	AP1002011	4014486491418
3	CHAFF SPREADER DRIVE (FOR CS640 AND CS660 ONLY)	84790356	1	AP1004472	4014486712148
5	CHOPPER DRIVE	84076421	1	AP1001705	4014486486827
6	CHOPPER DRIVE	84075955	1	AP1003347	4014486486285
7	GRASS SEED EQUIPMENT	84452153	1	AP1004044	4014486518313
8	GRASS SEED EQUIPMENT	84452112	1	AP1004114	4014486522891
9	ELEVATOR BOTTOM DRIVE GRAIN	80422731	1	AP1000696	4014486470772
10	FAN DRIVE VARIABLE SPEED	84073979	1	AP1001421	4014486459289
11	SHAKER SHOE DRIVE	84015531	1	AP1000601	4014486469332
12	STRAW WALKER DRIVE	84073276	1	AP1000340	4014486465877
13	DRUM DRIVE	84072772	1	AP1001237	4014486491913
13	DRUM DRIVE (LOW DRUM SPEED)	84072815	1	AP1001952	4014486490572
14	ROTARY SEPARATOR DRIVE AND SHAFT	84073933	1	AP1000566	4014486468731
15	DRUM DRIVE VARIABLE SPEED	84035748	1	AP1001316	4014486497892
16	STRAW ELEVATOR DRIVE 2HB (NOT FOR CS520)	84981586	1	AP1001720	4014486487022
16	STRAW ELEVATOR DRIVE 3HB	84982278	1	AP1001697	4014486486735
17	HEADER DRIVE ENGAGING IDLER (2HB ONLY)	84446792	1	AP1003326	4014486486087
17	HEADER DRIVE ENGAGING IDLER (3HB ONLY/NOT CS520)	89817374	1	AP1001876	4014486489231
18	AIR COMPRESSOR - BLOW-OFF SYSTEM	84061465	1	AP1002586	4014486495775
19	ROTARY SCREEN AND FAN	84061465	1	AP1002586	4014486495775
19	ROTARY SCREEN AND FAN	84989965	1	AP1000169	4014486461954
20	HYDROSTATIC PUMP DRIVE (FOR CS660 ONLY)	84607713	1	AP1001853	4014486488876
21	HYDRAULIC PUMP DRIVE	80427456	1	AP1003351	4014486464603
22	UNLOADING AUGER DRIVE	84991836	1	AP1000653	4014486470161
CSX 7060					
2	STRAW ELEVATOR DRIVE, 2HB	84981586	1	AP1001720	4014486487022
2	STRAW ELEVATOR DRIVE, 3HB	84991234	1	AP1001922	4014486489903
3	HEADER DRIVE ENGAGING IDLER 2HB ONLY	84446792	1	AP1003326	4014486486087
3	HEADER DRIVE ENGAGING IDLER 3HB ONLY	89817374	1	AP1001876	4014486489231
4	DRUM VARIATOR	84035748	1	AP1001316	4014486497892
5	GRAIN TANK UNLOADING	84462590	1	AP1000653	4014486470161
6	MAIN DRIVE	84993120	1	AP1002011	4014486491418
7	HYDROSTATIC PUMP DRIVE	80427456	1	AP1003351	4014486464603
8	HYDROSTATIC PUMP DRIVE	84607712	1	AP1001850	4014486488838
9	STRAW WALKER DRIVE	87521887	1	AP1000341	4014486465884
10	GRAIN ELEVATOR BOTTOM AUGER	80422731	1	AP1000696	4014486470772



NEW HOLLAND

NR.	DRIVE	PART NUMBER	SET	AP NR.	EAN
13	CHOPPER DRIVE	84075955	1	AP1003347	4014486486285
14	CHOPPER DRIVE	84076421	1	AP1001705	4014486486827
15	DRIVE, ROTARY SCREEN AND FAN	84061463	2	AP1004160	4014486523386
16	DRIVE, ROTARY SCREEN AND FAN	87374615	1	AP1004049	4014486518436
17	ALTERNATOR DRIVE	84817626	1	AP1002579	4014486495560
18	DRUM DRIVE	84072772	1	AP1001237	4014486491913
18	DRUM DRIVE, ROTATION SPEED SLOW	84072815	1	AP1001952	4014486490572
19	STRAW SHAKER DRIVE	84817635	1	AP1000601	4014486469332
20	FAN VARI-DRIVE	84073979	1	AP1001421	4014486459289
21	ROTARY SEPARATOR DRIVE AND SHAFT	84073933	1	AP1000566	4014486468731
22		84075955	1	AP1003347	4014486486285
23		84076421	1	AP1001705	4014486486827
CSX 7080					
2	STRAW ELEVATOR DRIVE, 2HB	84981586	1	AP1001720	4014486487022
2	STRAW ELEVATOR DRIVE, 3HB	84991234	1	AP1001922	4014486489903
3	HEADER DRIVE ENGAGING IDLER 2HB ONLY	84446792	1	AP1003326	4014486486087
3	HEADER DRIVE ENGAGING IDLER 3HB ONLY	89817374	1	AP1001876	4014486489231
4	DRUM VARIATOR	84035748	1	AP1001316	4014486497892
5	GRAIN TANK UNLOADING	84462590	1	AP1000653	4014486470161
6	MAIN DRIVE	84993120	1	AP1002011	4014486491418
7	HYDROSTATIC PUMP DRIVE	80427456	1	AP1003351	4014486464603
8	HYDROSTATIC PUMP DRIVE	84607713	1	AP1001853	4014486488876
9	STRAW WALKER DRIVE	87521887	1	AP1000341	4014486465884
10	GRAIN ELEVATOR BOTTOM AUGER	80422731	1	AP1000696	4014486470772
13	CHOPPER DRIVE	84075955	1	AP1003347	4014486486285
14	CHOPPER DRIVE	84076421	1	AP1001705	4014486486827
15	DRIVE, ROTARY SCREEN AND FAN	84061463	2	AP1004160	4014486523386
16	DRIVE, ROTARY SCREEN AND FAN	87374615	1	AP1004049	4014486518436
17	ALTERNATOR DRIVE	84817626	1	AP1002579	4014486495560
18	DRUM DRIVE	84072772	1	AP1001237	4014486491913
18	DRUM DRIVE, ROTATION SPEED SLOW	84072815	1	AP1001952	4014486490572
19	STRAW SHAKER DRIVE	84817635	1	AP1000601	4014486469332
20	FAN VARI-DRIVE	84073979	1	AP1001421	4014486459289
21	ROTARY SEPARATOR DRIVE AND SHAFT	84073933	1	AP1000566	4014486468731
22		84075955	1	AP1003347	4014486486285
23		84076421	1	AP1001705	4014486486827
25	CHAFF SPREADER	84790356	1	AP1004472	4014486712148
CX 720					
1	BEATER DRIVE	84045256	1	AP1000638	4014486469950
3	UNLOADING AUGER	84061293	1	AP1001634	4014486485820
4	MAIN DRIVE	84057914	1	AP1003844	4014486490893
5	CHOPPER DRIVE	84075345	1	AP1001636	4014486485844
6	CHOPPER DRIVE	84075635	1	AP1001687	4014486486612
7	INTERMEDIATE SHAFT FOR CLEANING DRIVE, WITH SLOPE COMPENSATION	84057392	1	AP1003337	4014486484847
8	SHAKER SHOE DRIVE, FIXED SHOE, WITHOUT SLOPE COMPENSATION	84432785	1	AP1000680	4014486470543
9	STRAW WALKER DRIVE	84057482	1	AP1000400	4014486466638
10	SHAKER SHOE AND TAILINGS ELEVATOR DRIVE, WITH SLOPE COMPENSATION	84057874	1	AP1000699	4014486470826
11	TAILINGS ELEVATOR DRIVE, FIXED SHOE, WITHOUT SLOPE COMPENSATION	84435035	1	AP1001644	4014486485967
12	DRUM VARIATOR	84035748	1	AP1001316	4014486497892
13	SHAKER SHOE DRIVE - SELF-LEVELLING	84056913	2	AP1000265	4014486464207
14	DRUM DRIVE	84061615	1	AP1001884	4014486489408
15	HEADER, DRIVE 3HB	84061279	1	AP1001880	4014486489309
16	DRIVE, ROTARY SCREEN AND FAN, FOR HIGH SPEED ONLY	84057085	1	AP1000175	4014486462036
17	ROTOR AND VENTILATOR DRIVE	89835816	1	AP1002588	4014486495812
18	BLOW-OFF SYSTEM, AIR COMPRESSOR	84061465	1	AP1002586	4014486495775



NEW HOLLAND

NR.	DRIVE	PART NUMBER	SET	AP NR.	EAN
19	DRIVE : ALTERNATOR, WATERPUMP AND AIR	84057710	1	AP1002690	4014486482959
20	GRAIN ELEVATOR , DRIVE	84073457	1	AP1000256	4014486464054
21	ROTARY SEPARATOR DRIVE AND SHAFT, -> C415	84057393	1	AP1001581	4014486484885
21	ROTARY SEPARATOR DRIVE AND SHAFT, D416 ->	84457079	1	AP1001583	4014486484908
24	TAILINGS ELEVATORS, BOTTOM AUGER AND (RH)DRIVE	84058339	2	AP1000200	4014486462388
25	FAN VARI-DRIVE FOR FIXED SHOE ONLY	919739	1	AP1001136	4014486497205
25	FAN VARI-DRIVE FOR SELF-LEVELLING ONLY	84817627	1	AP1001135	4014486497199
22-23	DRIVE STRAW ELEVATOR 4HB	84334995	1	AP1004196	4014486652567
CX 740					
1	BEATER DRIVE	84045256	1	AP1000638	4014486469950
3	UNLOADING AUGER	84061293	1	AP1001634	4014486485820
4	MAIN DRIVE	84057914	1	AP1003844	4014486490893
5	CHOPPER DRIVE	84075345	1	AP1001636	4014486485844
6	CHOPPER DRIVE	84075635	1	AP1001687	4014486486612
7	INTERMEDIATE SHAFT FOR CLEANING DRIVE, WITH SLOPE COMPENSATION	84057392	1	AP1003337	4014486484847
8	SHAKER SHOE DRIVE, FIXED SHOE, WITHOUT SLOPE COMPENSATION	84432785	1	AP1000680	4014486470543
9	STRAW WALKER DRIVE	84057482	1	AP1000400	4014486466638
10	SHAKER SHOE AND TAILINGS ELEVATOR DRIVE, WITH SLOPE COMPENSATION	84057874	1	AP1000699	4014486470826
11	TAILINGS ELEVATOR DRIVE, FIXED SHOE, WITHOUT SLOPE COMPENSATION	84435035	1	AP1001644	4014486485967
12	DRUM VARIATOR	84035748	1	AP1001316	4014486497892
13	SHAKER SHOE DRIVE - SELF-LEVELLING	84056913	2	AP1000265	4014486464207
14	DRUM DRIVE	84061615	1	AP1001884	4014486489408
15	HEADER, DRIVE 3HB	84061279	1	AP1001880	4014486489309
16	DRIVE, ROTARY SCREEN AND FAN	84057085	1	AP1000175	4014486462036
17	ROTOR AND VENTILATOR DRIVE	89835816	1	AP1002588	4014486495812
18	BLOW-OFF SYSTEM, AIR COMPRESSOR	84061465	1	AP1002586	4014486495775
19	DRIVE : ALTERNATOR, WATERPUMP AND AIR	84057710	1	AP1002690	4014486482959
20	GRAIN ELEVATOR , DRIVE	84073457	1	AP1000256	4014486464054
21	ROTARY SEPARATOR DRIVE AND SHAFT, -> C415	84057393	1	AP1001581	4014486484885
21	ROTARY SEPARATOR DRIVE AND SHAFT, D416 ->	84457079	1	AP1001583	4014486484908
24	TAILINGS ELEVATORS, BOTTOM AUGER AND (RH)DRIVE	84058339	2	AP1000200	4014486462388
25	FAN VARI-DRIVE FOR FIXED SHOE ONLY	919739	1	AP1001136	4014486497205
25	FAN VARI-DRIVE FOR SELF-LEVELLING ONLY	84817627	1	AP1001135	4014486497199
22-23	DRIVE STRAW ELEVATOR 4HB	84334995	1	AP1004196	4014486652567
CX 760					
1	BEATER DRIVE	84045256	1	AP1000638	4014486469950
3	UNLOADING AUGER	84061293	1	AP1001634	4014486485820
4	MAIN DRIVE	84057914	1	AP1003844	4014486490893
5	CHOPPER DRIVE	84075345	1	AP1001636	4014486485844
6	CHOPPER DRIVE	84075635	1	AP1001687	4014486486612
7	INTERMEDIATE SHAFT FOR CLEANING DRIVE, WITH SLOPE COMPENSATION	84057392	1	AP1003337	4014486484847
8	SHAKER SHOE DRIVE, FIXED SHOE, WITHOUT SLOPE COMPENSATION	84432785	1	AP1000680	4014486470543
9	STRAW WALKER DRIVE	84057482	1	AP1000400	4014486466638
10	SHAKER SHOE AND TAILINGS ELEVATOR DRIVE, WITH SLOPE COMPENSATION	84057874	1	AP1000699	4014486470826
11	TAILINGS ELEVATOR DRIVE, FIXED SHOE, WITHOUT SLOPE COMPENSATION	84435035	1	AP1001644	4014486485967
12	DRUM VARIATOR	84035748	1	AP1001316	4014486497892
13	SHAKER SHOE DRIVE - SELF-LEVELLING	84056913	2	AP1000265	4014486464207
14	DRUM DRIVE	84061615	1	AP1001884	4014486489408
15	HEADER, DRIVE 3HB	84061279	1	AP1001880	4014486489309
16	DRIVE, ROTARY SCREEN AND FAN	84057085	1	AP1000175	4014486462036
17	ROTOR AND VENTILATOR DRIVE	89835816	1	AP1002588	4014486495812
18	BLOW-OFF SYSTEM, AIR COMPRESSOR	84061465	1	AP1002586	4014486495775
19	DRIVE : ALTERNATOR, WATERPUMP AND AIR	84057710	1	AP1002690	4014486482959
20	GRAIN ELEVATOR , DRIVE	84073457	1	AP1000256	4014486464054
21	ROTARY SEPARATOR DRIVE AND SHAFT, -> C415	84057393	1	AP1001581	4014486484885



NEW HOLLAND

NR.	DRIVE	PART NUMBER	SET	AP NR.	EAN
21	ROTARY SEPARATOR DRIVE AND SHAFT, D416 ->	84457079	1	AP1001583	4014486484908
24	TAILINGS ELEVATORS, BOTTOM AUGER AND (RH)DRIVE	84058339	2	AP1000200	4014486462388
25	FAN VARI-DRIVE FOR FIXED SHOE ONLY	919739	1	AP1001136	4014486497205
25	FAN VARI-DRIVE FOR SELF-LEVELLING ONLY	84817627	1	AP1001135	4014486497199
22-23	DRIVE STRAW ELEVATOR 4HB	84334995	1	AP1004196	4014486652567
CX 780					
1	BEATER DRIVE	84045256	1	AP1000638	4014486469950
3	UNLOADING AUGER	84061293	1	AP1001634	4014486485820
4	MAIN DRIVE	84057914	1	AP1003844	4014486490893
5	CHOPPER DRIVE	84075345	1	AP1001636	4014486485844
6	CHOPPER DRIVE	84075635	1	AP1001687	4014486486612
7	INTERMEDIATE SHAFT FOR CLEANING DRIVE, WITH SLOPE COMPENSATION	84057392	1	AP1003337	4014486484847
8	SHAKER SHOE DRIVE, FIXED SHOE, WITHOUT SLOPE COMPENSATION	84432785	1	AP1000680	4014486470543
9	STRAW WALKER DRIVE	84057482	1	AP1000400	4014486466638
10	SHAKER SHOE AND TAILINGS ELEVATOR DRIVE, WITH SLOPE COMPENSATION	84057874	1	AP1000699	4014486470826
11	TAILINGS ELEVATOR DRIVE, FIXED SHOE, WITHOUT SLOPE COMPENSATION	84435035	1	AP1001644	4014486485967
12	DRUM VARIATOR	84035748	1	AP1001316	4014486497892
13	SHAKER SHOE DRIVE - SELF-LEVELLING	84056913	2	AP1000265	4014486464207
14	DRUM DRIVE	84061615	1	AP1001884	4014486489408
15	HEADER, DRIVE 3HB	84061279	1	AP1001880	4014486489309
16	DRIVE, ROTARY SCREEN AND FAN	84057085	1	AP1000175	4014486462036
17	ROTOR AND VENTILATOR DRIVE	89835816	1	AP1002588	4014486495812
18	BLOW-OFF SYSTEM, AIR COMPRESSOR	84061465	1	AP1002586	4014486495775
19	DRIVE : ALTERNATOR, WATERPUMP AND AIR	84057710	1	AP1002690	4014486482959
20	GRAIN ELEVATOR , DRIVE	84073457	1	AP1000256	4014486464054
21	ROTARY SEPARATOR DRIVE AND SHAFT, -> C415	84057393	1	AP1001581	4014486484885
21	ROTARY SEPARATOR DRIVE AND SHAFT, D416 ->	84457079	1	AP1001583	4014486484908
24	TAILINGS ELEVATORS, BOTTOM AUGER AND (RH)DRIVE	84058339	2	AP1000200	4014486462388
25	FAN VARI-DRIVE FOR FIXED SHOE ONLY	919739	1	AP1001136	4014486497205
25	FAN VARI-DRIVE FOR SELF-LEVELLING ONLY	84817627	1	AP1001135	4014486497199
22-23	DRIVE STRAW ELEVATOR 4HB	84334995	1	AP1004196	4014486652567
CX 8030					
1	BEATER DRIVE	84045256	1	AP1000638	4014486469950
3	UNLOADING AUGER	84061293	1	AP1001634	4014486485820
4	MAIN DRIVE	84057914	1	AP1003844	4014486490893
5	CHOPPER DRIVE	84075345	1	AP1001636	4014486485844
6	CHOPPER DRIVE	87339998	1	AP1004042	4014486519464
7	INTERMEDIATE SHAFT FOR CLEANING DRIVE, WITH SLOPE COMPENSATION	84057392	1	AP1003337	4014486484847
8	SHAKER SHOE DRIVE, FIXED SHOE, WITHOUT SLOPE COMPENSATION	84432785	1	AP1000680	4014486470543
9	STRAW WALKER DRIVE	84057482	1	AP1000400	4014486466638
10	SHAKER SHOE AND TAILINGS ELEVATOR DRIVE, WITH SLOPE COMPENSATION	84057874	1	AP1000699	4014486470826
11	TAILINGS ELEVATOR DRIVE, FIXED SHOE, WITHOUT SLOPE COMPENSATION	84435035	1	AP1001644	4014486485967
12	DRUM VARIATOR	84035748	1	AP1001316	4014486497892
13	SHAKER SHOE DRIVE - SELF-LEVELLING	84056913	2	AP1000265	4014486464207
13	MAIN DRIVE (ASN D724)	84175582	1	AP1005033	4014486920406
14	DRUM DRIVE WITHOUT REDUCTOR	84061615	1	AP1001884	4014486489408
15	HEADER, DRIVE 3HB	84061279	1	AP1001880	4014486489309
16	DRIVE, ROTARY SCREEN AND FAN	84057085	1	AP1000175	4014486462036
17	ROTOR AND VENTILATOR DRIVE	89835816	1	AP1002588	4014486495812
18	DRIVE, ROTARY SCREEN AND FAN	84061465	1	AP1002586	4014486495775
19	DRIVE : ALTERNATOR, WATERPUMP AND AIR	84057710	1	AP1002690	4014486482959
20	GRAIN ELEVATOR , DRIVE	84073457	1	AP1000256	4014486464054
21	ROTARY SEPARATOR DRIVE AND SHAFT	84457079	1	AP1001583	4014486484908
24	TAILINGS ELEVATORS, BOTTOM AUGER AND (RH)	84058339	2	AP1000200	4014486462388
25	FAN VARI-DRIVE FOR FIXED SHOE ONLY	919739	1	AP1001136	4014486497205



NEW HOLLAND

NR.	DRIVE	PART NUMBER	SET	AP NR.	EAN
25	FAN VARI-DRIVE FOR SELF-LEVELLING ONLY	84817627	1	AP1001135	4014486497199
22-23	DRIVE STRAW ELEVATOR 4HB	84334995	1	AP1004196	4014486652567
CX 8040					
1	BEATER DRIVE	84045256	1	AP1000638	4014486469950
3	UNLOADING AUGER	84061293	1	AP1001634	4014486485820
4	MAIN DRIVE	84057914	1	AP1003844	4014486490893
5	CHOPPER DRIVE	84075345	1	AP1001636	4014486485844
6	CHOPPER DRIVE	87339998	1	AP1004042	4014486519464
7	INTERMEDIATE SHAFT FOR CLEANING DRIVE, WITH SLOPE COMPENSATION	84057392	1	AP1003337	4014486484847
8	SHAKER SHOE DRIVE, FIXED SHOE, WITHOUT SLOPE COMPENSATION	84432785	1	AP1000680	4014486470543
9	STRAW WALKER DRIVE	84057482	1	AP1000400	4014486466638
10	SHAKER SHOE AND TAILINGS ELEVATOR DRIVE, WITH SLOPE COMPENSATION	84057874	1	AP1000699	4014486470826
11	TAILINGS ELEVATOR DRIVE, FIXED SHOE, WITHOUT SLOPE COMPENSATION	84435035	1	AP1001644	4014486485967
12	DRUM VARIATOR	84035748	1	AP1001316	4014486497892
13	SHAKER SHOE DRIVE - SELF-LEVELLING	84056913	2	AP1000265	4014486464207
13	MAIN DRIVE (ASN D724)	84175582	1	AP1005033	4014486920406
14	DRUM DRIVE WITHOUT REDUCTOR	84061615	1	AP1001884	4014486489408
15	HEADER, DRIVE 3HB	84061279	1	AP1001880	4014486489309
16	DRIVE, ROTARY SCREEN AND FAN	84057085	1	AP1000175	4014486462036
17	ROTOR AND VENTILATOR DRIVE	89835816	1	AP1002588	4014486495812
18	DRIVE, ROTARY SCREEN AND FAN	84061465	1	AP1002586	4014486495775
19	DRIVE : ALTERNATOR, WATERPUMP AND AIR	84057710	1	AP1002690	4014486482959
20	GRAIN ELEVATOR , DRIVE	84073457	1	AP1000256	4014486464054
21	ROTARY SEPARATOR DRIVE AND SHAFT	84457079	1	AP1001583	4014486484908
24	TAILINGS ELEVATORS, BOTTOM AUGER AND (RH)	84058339	2	AP1000200	4014486462388
25	FAN VARI-DRIVE FOR FIXED SHOE ONLY	919739	1	AP1001136	4014486497205
25	FAN VARI-DRIVE FOR SELF-LEVELLING ONLY	84817627	1	AP1001135	4014486497199
22-23	DRIVE STRAW ELEVATOR 4HB	84334995	1	AP1004196	4014486652567
CX 8050					
1	BEATER DRIVE	84045256	1	AP1000638	4014486469950
3	UNLOADING AUGER	84061293	1	AP1001634	4014486485820
4	MAIN DRIVE	84057914	1	AP1003844	4014486490893
5	CHOPPER DRIVE	84075345	1	AP1001636	4014486485844
6	CHOPPER DRIVE	87339998	1	AP1004042	4014486519464
7	INTERMEDIATE SHAFT FOR CLEANING DRIVE, WITH SLOPE COMPENSATION	84057392	1	AP1003337	4014486484847
8	SHAKER SHOE DRIVE, FIXED SHOE, WITHOUT SLOPE COMPENSATION	84432785	1	AP1000680	4014486470543
9	STRAW WALKER DRIVE	84057482	1	AP1000400	4014486466638
10	SHAKER SHOE AND TAILINGS ELEVATOR DRIVE, WITH SLOPE COMPENSATION	84057874	1	AP1000699	4014486470826
11	TAILINGS ELEVATOR DRIVE, FIXED SHOE, WITHOUT SLOPE COMPENSATION	84435035	1	AP1001644	4014486485967
12	DRUM VARIATOR	84035748	1	AP1001316	4014486497892
13	SHAKER SHOE DRIVE - SELF-LEVELLING	84056913	2	AP1000265	4014486464207
13	MAIN DRIVE (ASN D724)	84175582	1	AP1005033	4014486920406
14	DRUM DRIVE WITHOUT REDUCTOR	84061615	1	AP1001884	4014486489408
15	HEADER, DRIVE 3HB	84061279	1	AP1001880	4014486489309
16	DRIVE, ROTARY SCREEN AND FAN	84057085	1	AP1000175	4014486462036
17	ROTOR AND VENTILATOR DRIVE	89835816	1	AP1002588	4014486495812
18	DRIVE, ROTARY SCREEN AND FAN	84061465	1	AP1002586	4014486495775
19	DRIVE : ALTERNATOR, WATERPUMP AND AIR	84057710	1	AP1002690	4014486482959
20	GRAIN ELEVATOR , DRIVE	84073457	1	AP1000256	4014486464054
21	ROTARY SEPARATOR DRIVE AND SHAFT	84457079	1	AP1001583	4014486484908
24	TAILINGS ELEVATORS, BOTTOM AUGER AND (RH)	84058339	2	AP1000200	4014486462388
25	FAN VARI-DRIVE FOR FIXED SHOE ONLY	919739	1	AP1001136	4014486497205
25	FAN VARI-DRIVE FOR SELF-LEVELLING ONLY	84817627	1	AP1001135	4014486497199
22-23	DRIVE STRAW ELEVATOR 4HB	84334995	1	AP1004196	4014486652567



NEW HOLLAND

NR.	DRIVE	PART NUMBER	SET	AP NR.	EAN
CX 8060					
1	BEATER DRIVE	84045256	1	AP1000638	4014486469950
3	UNLOADING AUGER	84061293	1	AP1001634	4014486485820
4	MAIN DRIVE	84057914	1	AP1003844	4014486490893
5	CHOPPER DRIVE	84075345	1	AP1001636	4014486485844
6	CHOPPER DRIVE	87339998	1	AP1004042	4014486519464
7	INTERMEDIATE SHAFT FOR CLEANING DRIVE, WITH SLOPE COMPENSATION	84057392	1	AP1003337	4014486484847
8	SHAKER SHOE DRIVE, FIXED SHOE, WITHOUT SLOPE COMPENSATION	84432785	1	AP1000680	4014486470543
9	STRAW WALKER DRIVE	84057482	1	AP1000400	4014486466638
10	SHAKER SHOE AND TAILINGS ELEVATOR DRIVE, WITH SLOPE COMPENSATION	84057874	1	AP1000699	4014486470826
11	TAILINGS ELEVATOR DRIVE, FIXED SHOE, WITHOUT SLOPE COMPENSATION	84435035	1	AP1001644	4014486485967
12	DRUM VARIATOR	84035748	1	AP1001316	4014486497892
13	SHAKER SHOE DRIVE - SELF-LEVELLING	84056913	2	AP1000265	4014486464207
13	MAIN DRIVE (ASN D724)	84175582	1	AP1005033	4014486920406
14	DRUM DRIVE WITHOUT REDUCTOR	84061615	1	AP1001884	4014486489408
15	HEADER, DRIVE 3HB	84061279	1	AP1001880	4014486489309
16	DRIVE, ROTARY SCREEN AND FAN	84057085	1	AP1000175	4014486462036
17	ROTOR AND VENTILATOR DRIVE	89835816	1	AP1002588	4014486495812
18	DRIVE, ROTARY SCREEN AND FAN	84061465	1	AP1002586	4014486495775
19	DRIVE : ALTERNATOR, WATERPUMP AND AIR	84057710	1	AP1002690	4014486482959
20	GRAIN ELEVATOR , DRIVE	84073457	1	AP1000256	4014486464054
21	ROTARY SEPARATOR DRIVE AND SHAFT	84457079	1	AP1001583	4014486484908
24	TAILINGS ELEVATORS, BOTTOM AUGER AND (RH)	84058339	2	AP1000200	4014486462388
25	FAN VARI-DRIVE FOR FIXED SHOE ONLY	919739	1	AP1001136	4014486497205
25	FAN VARI-DRIVE FOR SELF-LEVELLING ONLY	84817627	1	AP1001135	4014486497199
22-23	DRIVE STRAW ELEVATOR 4HB	84334995	1	AP1004196	4014486652567
CX 8080					
1	BEATER DRIVE	84045256	1	AP1000638	4014486469950
3	UNLOADING AUGER	84061293	1	AP1001634	4014486485820
4	MAIN DRIVE	84057914	1	AP1003844	4014486490893
5	CHOPPER DRIVE	84075345	1	AP1001636	4014486485844
6	CHOPPER DRIVE	87339998	1	AP1004042	4014486519464
7	INTERMEDIATE SHAFT FOR CLEANING DRIVE, WITH SLOPE COMPENSATION	84057392	1	AP1003337	4014486484847
8	SHAKER SHOE DRIVE, FIXED SHOE, WITHOUT SLOPE COMPENSATION	84432785	1	AP1000680	4014486470543
9	STRAW WALKER DRIVE	84057482	1	AP1000400	4014486466638
10	SHAKER SHOE AND TAILINGS ELEVATOR DRIVE, WITH SLOPE COMPENSATION	84057874	1	AP1000699	4014486470826
11	TAILINGS ELEVATOR DRIVE, FIXED SHOE, WITHOUT SLOPE COMPENSATION	84435035	1	AP1001644	4014486485967
12	DRUM VARIATOR	84035748	1	AP1001316	4014486497892
13	SHAKER SHOE DRIVE - SELF-LEVELLING	84056913	2	AP1000265	4014486464207
13	MAIN DRIVE (ASN D724)	84175582	1	AP1005033	4014486920406
14	DRUM DRIVE WITHOUT REDUCTOR	84061615	1	AP1001884	4014486489408
15	HEADER, DRIVE 3HB	84061279	1	AP1001880	4014486489309
16	DRIVE, ROTARY SCREEN AND FAN	84057085	1	AP1000175	4014486462036
17	ROTOR AND VENTILATOR DRIVE	89835816	1	AP1002588	4014486495812
18	DRIVE, ROTARY SCREEN AND FAN	84061465	1	AP1002586	4014486495775
19	DRIVE : ALTERNATOR, WATERPUMP AND AIR	84057710	1	AP1002690	4014486482959
20	GRAIN ELEVATOR , DRIVE	84073457	1	AP1000256	4014486464054
21	ROTARY SEPARATOR DRIVE AND SHAFT	84457079	1	AP1001583	4014486484908
24	TAILINGS ELEVATORS, BOTTOM AUGER AND (RH)	84058339	2	AP1000200	4014486462388
25	FAN VARI-DRIVE FOR FIXED SHOE ONLY	919739	1	AP1001136	4014486497205
25	FAN VARI-DRIVE FOR SELF-LEVELLING ONLY	84817627	1	AP1001135	4014486497199
22-23	DRIVE STRAW ELEVATOR 4HB	84334995	1	AP1004196	4014486652567
CX 8090					
1	BEATER DRIVE	84045256	1	AP1000638	4014486469950



NEW HOLLAND

NR.	DRIVE	PART NUMBER	SET	AP NR.	EAN
3	UNLOADING AUGER	84061293	1	AP1001634	4014486485820
4	MAIN DRIVE	84057914	1	AP1003844	4014486490893
5	CHOPPER DRIVE	84075345	1	AP1001636	4014486485844
6	CHOPPER DRIVE	87339998	1	AP1004042	4014486519464
7	INTERMEDIATE SHAFT FOR CLEANING DRIVE, WITH SLOPE COMPENSATION	84057392	1	AP1003337	4014486484847
8	SHAKER SHOE DRIVE, FIXED SHOE, WITHOUT SLOPE COMPENSATION	84432785	1	AP1000680	4014486470543
9	STRAW WALKER DRIVE	84057482	1	AP1000400	4014486466638
10	SHAKER SHOE AND TAILINGS ELEVATOR DRIVE, WITH SLOPE COMPENSATION	84057874	1	AP1000699	4014486470826
11	TAILINGS ELEVATOR DRIVE, FIXED SHOE, WITHOUT SLOPE COMPENSATION	84435035	1	AP1001644	4014486485967
12	DRUM VARIATOR FOR CX8030, CX8040, CX8050, CX8060, CX8070, CX8080 ONLY	84035748	1	AP1001316	4014486497892
13	SHAKER SHOE DRIVE - SELF-LEVELLING	84056913	2	AP1000265	4014486464207
13	MAIN DRIVE (ASN D724)	84175582	1	AP1005033	4014486920406
14	DRUM DRIVE WITHOUT REDUCTOR	84061615	1	AP1001884	4014486489408
15	HEADER, DRIVE 3HB	84061279	1	AP1001880	4014486489309
16	DRIVE, ROTARY SCREEN AND FAN	84057085	1	AP1000175	4014486462036
17	DRIVE, ROTARY SCREEN AND FAN	84459056	2	AP1002593	4014486495904
17	ROTOR AND VENTILATOR DRIVE	89835816	1	AP1002588	4014486495812
18	DRIVE, ROTARY SCREEN AND FAN	84061465	1	AP1002586	4014486495775
19	DRIVE : ALTERNATOR, WATERPUMP AND AIR	84057710	1	AP1002690	4014486482959
20	GRAIN ELEVATOR , DRIVE	84073457	1	AP1000256	4014486464054
21	ROTARY SEPARATOR DRIVE AND SHAFT	84457079	1	AP1001583	4014486484908
24	TAILINGS ELEVATORS, BOTTOM AUGER AND (RH)	84058339	2	AP1000200	4014486462388
25	FAN VARI-DRIVE FOR FIXED SHOE ONLY	919739	1	AP1001136	4014486497205
25	FAN VARI-DRIVE FOR SELF-LEVELLING ONLY	84817627	1	AP1001135	4014486497199
22-23	DRIVE STRAW ELEVATOR 4HB	84334995	1	AP1004196	4014486652567
CX 820					
1	BEATER DRIVE	84045256	1	AP1000638	4014486469950
3	UNLOADING AUGER	84061293	1	AP1001634	4014486485820
4	MAIN DRIVE	84057914	1	AP1003844	4014486490893
5	CHOPPER DRIVE	84075345	1	AP1001636	4014486485844
6	CHOPPER DRIVE	84075635	1	AP1001687	4014486486612
7	INTERMEDIATE SHAFT FOR CLEANING DRIVE, WITH SLOPE COMPENSATION	84057392	1	AP1003337	4014486484847
8	SHAKER SHOE DRIVE, FIXED SHOE, WITHOUT SLOPE COMPENSATION	84432785	1	AP1000680	4014486470543
9	STRAW WALKER DRIVE	84057482	1	AP1000400	4014486466638
10	SHAKER SHOE AND TAILINGS ELEVATOR DRIVE, WITH SLOPE COMPENSATION	84057874	1	AP1000699	4014486470826
11	TAILINGS ELEVATOR DRIVE, FIXED SHOE, WITHOUT SLOPE COMPENSATION	84435035	1	AP1001644	4014486485967
12	DRUM VARIATOR	84035748	1	AP1001316	4014486497892
13	SHAKER SHOE DRIVE - SELF-LEVELLING	84056913	2	AP1000265	4014486464207
14	DRUM DRIVE	84061615	1	AP1001884	4014486489408
15	HEADER, DRIVE 3HB	84061279	1	AP1001880	4014486489309
16	DRIVE, ROTARY SCREEN AND FAN	84057085	1	AP1000175	4014486462036
17	ROTOR AND VENTILATOR DRIVE	89835816	1	AP1002588	4014486495812
18	BLOW-OFF SYSTEM, AIR COMPRESSOR	84061465	1	AP1002586	4014486495775
19	DRIVE : ALTERNATOR, WATERPUMP AND AIR	84057710	1	AP1002690	4014486482959
20	GRAIN ELEVATOR , DRIVE	84073457	1	AP1000256	4014486464054
21	ROTARY SEPARATOR DRIVE AND SHAFT, -> C415	84057393	1	AP1001581	4014486484885
21	ROTARY SEPARATOR DRIVE AND SHAFT, D416 ->	84457079	1	AP1001583	4014486484908
24	TAILINGS ELEVATORS, BOTTOM AUGER AND (RH)DRIVE	84058339	2	AP1000200	4014486462388
25	FAN VARI-DRIVE FOR FIXED SHOE ONLY	919739	1	AP1001136	4014486497205
25	FAN VARI-DRIVE FOR SELF-LEVELLING ONLY	84817627	1	AP1001135	4014486497199
22-23	DRIVE STRAW ELEVATOR 4HB	84334995	1	AP1004196	4014486652567
CX 840					
2	GRASS SEED EQUIPMENT - ACCESSORIES FOR SELF LEVELLING ONLY	84023277	1	AP1001132	4014486497168
2	GRASS SEED EQUIPMENT - ACCESSORIES FOR FIXED SHOE ONLY	84023278	1	AP1001133	4014486497175
3	SHAKER SHOE DRIVE - SELF-LEVELLING	84056913	2	AP1000265	4014486464207



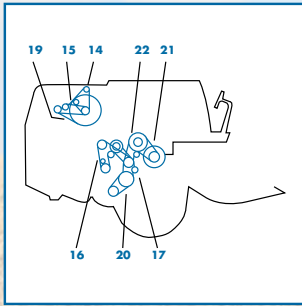
NEW HOLLAND

NR.	DRIVE	PART NUMBER	SET	AP NR.	EAN
4	INTERMEDIATE SHAFT - CLEANING DRIVE	84057392	1	AP1003337	4014486484847
5	STRAW WALKER DRIVE	84057482	1	AP1000400	4014486466638
6	SHAKER SHOE AND TAILINGS ELEVATOR DRIVE - SELF LEVELLING	84057874	1	AP1000699	4014486470826
7	TAILINGS ELEVATORS - BOTTOM AUGER AND (RIGHT HAND) DRIVE	84058339	2	AP1000200	4014486462388
8	SHAKER SHOE DRIVE - FIXED SHOE	84432785	1	AP1000680	4014486470543
9	TAILINGS ELEVATOR DRIVE - FIXED SHOE	84435035	1	AP1001644	4014486485967
10	MAIN FAN VARIABLE SPEED DRIVE FOR FIXED SHOE ONLY	919739	1	AP1001136	4014486497205
10	MAIN FAN VARIABLE SPEED DRIVE FOR SELF LEVELLING ONLY	9502654	1	AP1001135	4014486497199
11	ROTARY SCREEN AND FAN	84057085	1	AP1000175	4014486462036
12	ALTERNATOR, WATERPUMP AND AIR COMPRESSOR	84057710	1	AP1002690	4014486482959
13	MAIN DRIVE	84057914	1	AP1003844	4014486490893
14	ROTARY SCREEN AND FAN	84061465	1	AP1002586	4014486495775
15	AIR COMPRESSOR - BLOW-OFF SYSTEM	84061465	1	AP1002586	4014486495775
17	ROTARY SCREEN AND FAN	9835816	1	AP1002588	4014486495812
18	HEADER DRIVE	84061279	1	AP1001880	4014486489309
19	STRAW ELEVATOR DRIVE	84334995	1	AP1004196	4014486652567
20	STRAW ELEVATOR DRIVE	84434260	1	AP1001714	4014486486940
21	STRAW ELEVATOR DRIVE	84434295	1	AP1001645	4014486485974
22	DRUM DRIVE VARIABLE SPEED	84035748	1	AP1001316	4014486497892
23	BEATER DRIVE	84045256	1	AP1000638	4014486469950
24	ROTARY SEPARATOR DRIVE AND SHAFT	84057393	1	AP1001581	4014486484885
25	DRUM DRIVE WITH REDUCTOR	84061615	1	AP1001884	4014486489408
26	DRUM DRIVE WITHOUT REDUCTOR	84061615	1	AP1001884	4014486489408
27	ROTARY SEPARATOR DRIVE AND SHAFT	84457079	1	AP1001583	4014486484908
28	UNLOADING AUGER DRIVE	84061293	1	AP1001634	4014486485820
29	ELEVATOR DRIVE GRAIN	84073457	1	AP1000256	4014486464054
1A	CHOPPER DRIVE	84075345	1	AP1001636	4014486485844
1B	CHOPPER DRIVE	84075635	1	AP1001687	4014486486612
CX 860					
2	GRASS SEED EQUIPMENT - ACCESSORIES FOR SELF LEVELLING ONLY	84023277	1	AP1001132	4014486497168
2	GRASS SEED EQUIPMENT - ACCESSORIES FOR FIXED SHOE ONLY	84023278	1	AP1001133	4014486497175
3	SHAKER SHOE DRIVE - SELF-LEVELLING	84056913	2	AP1000265	4014486464207
4	INTERMEDIATE SHAFT - CLEANING DRIVE	84057392	1	AP1003337	4014486484847
5	STRAW WALKER DRIVE	84057482	1	AP1000400	4014486466638
6	SHAKER SHOE AND TAILINGS ELEVATOR DRIVE - SELF LEVELLING	84057874	1	AP1000699	4014486470826
7	TAILINGS ELEVATORS - BOTTOM AUGER AND (RIGHT HAND) DRIVE	84058339	2	AP1000200	4014486462388
8	SHAKER SHOE DRIVE - FIXED SHOE	84432785	1	AP1000680	4014486470543
9	TAILINGS ELEVATOR DRIVE - FIXED SHOE	84435035	1	AP1001644	4014486485967
10	MAIN FAN VARIABLE SPEED DRIVE FOR FIXED SHOE ONLY	919739	1	AP1001136	4014486497205
10	MAIN FAN VARIABLE SPEED DRIVE FOR SELF LEVELLING ONLY	9502654	1	AP1001135	4014486497199
11	ROTARY SCREEN AND FAN	84057085	1	AP1000175	4014486462036
12	ALTERNATOR, WATERPUMP AND AIR COMPRESSOR	84057710	1	AP1002690	4014486482959
13	MAIN DRIVE	84057914	1	AP1003844	4014486490893
14	ROTARY SCREEN AND FAN	84061465	1	AP1002586	4014486495775
15	AIR COMPRESSOR - BLOW-OFF SYSTEM	84061465	1	AP1002586	4014486495775
18	HEADER DRIVE	84061279	1	AP1001880	4014486489309
19	STRAW ELEVATOR DRIVE	84334995	1	AP1004196	4014486652567
20	STRAW ELEVATOR DRIVE	84434260	1	AP1001714	4014486486940
21	STRAW ELEVATOR DRIVE	84434295	1	AP1001645	4014486485974
22	DRUM DRIVE VARIABLE SPEED	84035748	1	AP1001316	4014486497892
23	BEATER DRIVE	84045256	1	AP1000638	4014486469950
24	ROTARY SEPARATOR DRIVE AND SHAFT	84057393	1	AP1001581	4014486484885
25	DRUM DRIVE WITH REDUCTOR	84061615	1	AP1001884	4014486489408
26	DRUM DRIVE WITHOUT REDUCTOR	84061615	1	AP1001884	4014486489408
27	ROTARY SEPARATOR DRIVE AND SHAFT	84457079	1	AP1001583	4014486484908
28	UNLOADING AUGER DRIVE	84061293	1	AP1001634	4014486485820

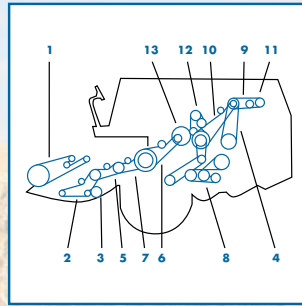


NEW HOLLAND

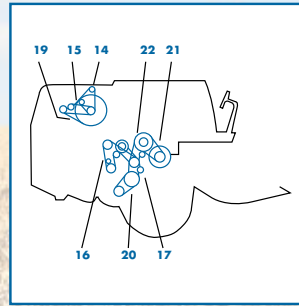
NR.	DRIVE	PART NUMBER	SET	AP NR.	EAN
29	ELEVATOR DRIVE GRAIN	84073457	1	AP1000256	4014486464054
1A	CHOPPER DRIVE	84075345	1	AP1001636	4014486485844
1B	CHOPPER DRIVE	84075635	1	AP1001687	4014486486612
CX 880					
2	GRASS SEED EQUIPMENT - ACCESSORIES FOR SELF LEVELLING ONLY	84023277	1	AP1001132	4014486497168
2	GRASS SEED EQUIPMENT - ACCESSORIES FOR FIXED SHOE ONLY	84023278	1	AP1001133	4014486497175
3	SHAKER SHOE DRIVE - SELF-LEVELLING	84056913	2	AP1000265	4014486464207
4	INTERMEDIATE SHAFT - CLEANING DRIVE	84057392	1	AP1003337	4014486484847
5	STRAW WALKER DRIVE	84057482	1	AP1000400	4014486466638
6	SHAKER SHOE AND TAILINGS ELEVATOR DRIVE - SELF LEVELLING	84057874	1	AP1000699	4014486470826
7	TAILINGS ELEVATORS - BOTTOM AUGER AND (RIGHT HAND) DRIVE	84058339	2	AP1000200	4014486462388
8	SHAKER SHOE DRIVE - FIXED SHOE	84432785	1	AP1000680	4014486470543
9	TAILINGS ELEVATOR DRIVE - FIXED SHOE	84435035	1	AP1001644	4014486485967
10	MAIN FAN VARIABLE SPEED DRIVE FOR FIXED SHOE ONLY	919739	1	AP1001136	4014486497205
10	MAIN FAN VARIABLE SPEED DRIVE FOR SELF LEVELLING ONLY	9502654	1	AP1001135	4014486497199
11	ROTARY SCREEN AND FAN	84057085	1	AP1000175	4014486462036
12	ALTERNATOR, WATERPUMP AND AIR COMPRESSOR	84057710	1	AP1002690	4014486482959
13	MAIN DRIVE	84057914	1	AP1003844	4014486490893
14	ROTARY SCREEN AND FAN	84061465	1	AP1002586	4014486495775
15	AIR COMPRESSOR - BLOW-OFF SYSTEM	84061465	1	AP1002586	4014486495775
18	HEADER DRIVE	84061279	1	AP1001880	4014486489309
19	STRAW ELEVATOR DRIVE	84334995	1	AP1004196	4014486652567
20	STRAW ELEVATOR DRIVE	84434260	1	AP1001714	4014486486940
21	STRAW ELEVATOR DRIVE	84434295	1	AP1001645	4014486485974
22	DRUM DRIVE VARIABLE SPEED	84035748	1	AP1001316	4014486497892
23	BEATER DRIVE	84045256	1	AP1000638	4014486469950
24	ROTARY SEPARATOR DRIVE AND SHAFT	84057393	1	AP1001581	4014486484885
25	DRUM DRIVE WITH REDUCTOR	84061615	1	AP1001884	4014486489408
26	DRUM DRIVE WITHOUT REDUCTOR	84061615	1	AP1001884	4014486489408
27	ROTARY SEPARATOR DRIVE AND SHAFT	84457079	1	AP1001583	4014486484908
28	UNLOADING AUGER DRIVE	84061293	1	AP1001634	4014486485820
29	ELEVATOR DRIVE GRAIN	84073457	1	AP1000256	4014486464054
1A	CHOPPER DRIVE	84075345	1	AP1001636	4014486485844
1B	CHOPPER DRIVE	84075635	1	AP1001687	4014486486612
FX 300					
1	MAIN DRIVE	84017742	2	AP1001167	4014486519860
2	DRIVE	84026761	4	AP1002746	4014486461862
3	FAN DRIVE	84012975	2	AP1002087	4014486519129
4	ALTERNATOR DRIVE	84022807	1	AP1001132	4014486497168
5	COMPRESSOR DRIVE	80747177	1	AP1002582	4014486495638
5	COMPRESSOR DRIVE	89835815	1	AP1002588	4014486495812



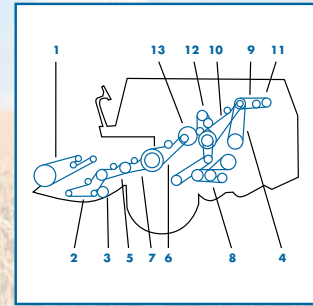
M133-M135-M140 LEFT



M133-M135-M140 RIGHT



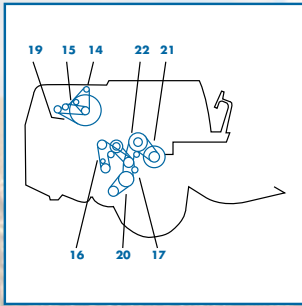
M80 LEFT



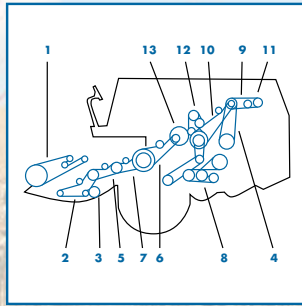
M80 RIGHT

NEW HOLLAND

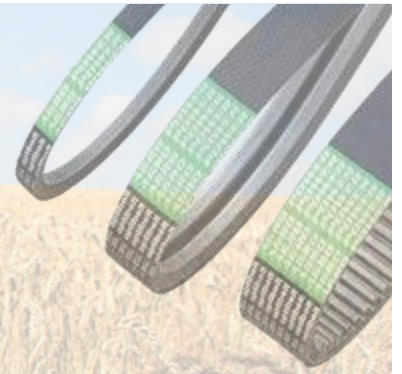
NR.	DRIVE	PART NUMBER	SET	AP NR.	EAN
M 133					
1	HYDRAULIC PUMP DRIVE	80230043	1	AP1000224	4014486462913
2	REEL DRIVE ECCENTRIC	80230060	1	AP1003534	4014486470536
3	REEL DRIVE	80230061	1	AP1004467	4014486715699
4	STRAW ELEVATOR DRIVE	80230073	1	AP1000904	4014486473506
11	FAN DRIVE VARIABLE SPEED	80230056	1	AP1003232	4014486518658
12	TAILINGS ELEVATOR DRIVE	80230057	1	AP1000603	4014486469370
12	ELEVATOR DRIVE GRAIN	80230059	1	AP1000654	4014486470178
13	ELEVATOR DRIVE UNIT	80230059	1	AP1000654	4014486470178
14	CYLINDER	80230078	1	AP1001509	4014486460254
16	DISCHARGE AUGER SHAFT	80230103	1	AP1000881	4014486473216
17	STRAW WALKER DRIVE	80230108	1	AP1003452	4014486465617
18	FAN DRIVE	80336386	1	AP1000027	4014486483482
19	ALTERNATOR DRIVE	80336426	1	AP1002460	4014486493436
M 135					
1	HYDRAULIC PUMP DRIVE	80230043	1	AP1000224	4014486462913
2	REEL DRIVE ECCENTRIC	80230060	1	AP1003534	4014486470536
3	REEL DRIVE	80230061	1	AP1004467	4014486715699
4	STRAW ELEVATOR DRIVE	80230073	1	AP1000904	4014486473506
11	FAN DRIVE VARIABLE SPEED	80230056	1	AP1003232	4014486518658
12	TAILINGS ELEVATOR DRIVE	80230057	1	AP1000603	4014486469370
12	ELEVATOR DRIVE GRAIN	80230059	1	AP1000654	4014486470178
13	ELEVATOR DRIVE UNIT	80230059	1	AP1000654	4014486470178
14	CYLINDER	80230078	1	AP1001509	4014486460254
16	DISCHARGE AUGER SHAFT	80230103	1	AP1000881	4014486473216
17	STRAW WALKER DRIVE	80230108	1	AP1003452	4014486465617
18	FAN DRIVE	80336386	1	AP1000027	4014486483482
19	ALTERNATOR DRIVE	80336426	1	AP1002460	4014486493436
M 140					
1	HYDRAULIC PUMP DRIVE	80230043	1	AP1000224	4014486462913
2	REEL DRIVE ECCENTRIC	80230060	1	AP1003534	4014486470536
3	REEL DRIVE	80230061	1	AP1004467	4014486715699
4	STRAW ELEVATOR DRIVE	80230073	1	AP1000904	4014486473506
11	FAN DRIVE VARIABLE SPEED	80230056	1	AP1003232	4014486518658
12	TAILINGS ELEVATOR DRIVE	80230057	1	AP1000603	4014486469370
12	ELEVATOR DRIVE GRAIN	80230059	1	AP1000654	4014486470178
13	ELEVATOR DRIVE UNIT	80230059	1	AP1000654	4014486470178
14	CYLINDER	80230078	1	AP1001509	4014486460254
16	DISCHARGE AUGER SHAFT	80230103	1	AP1000881	4014486473216
17	STRAW WALKER DRIVE	80230108	1	AP1003452	4014486465617
18	FAN DRIVE	80336386	1	AP1000027	4014486483482
19	ALTERNATOR DRIVE	80336426	1	AP1002460	4014486493436
M 80					
1	HYDRAULIC PUMP DRIVE	80230043	1	AP1000224	4014486462913
2	TAILINGS ELEVATOR	80230046	1	AP1004468	4014486712124
5	STRAW ELEVATOR DRIVE	80230059	1	AP1000654	4014486470178
6	REEL DRIVE	80230060	1	AP1003534	4014486470536
7	STICKLE KNIFE DRIVE	80230060	1	AP1003534	4014486470536
8	GRAIN TANK UNLOADING	80230061	1	AP1004467	4014486715699
18	ELEVATOR DRIVE	80230046	1	AP1004468	4014486712124
20	CYLINDER	80230078	1	AP1001509	4014486460254



M89 LEFT

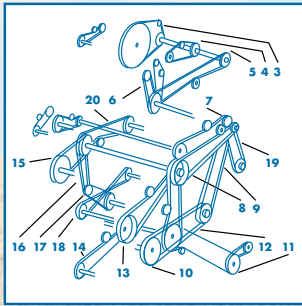


M89 RIGHT



NEW HOLLAND

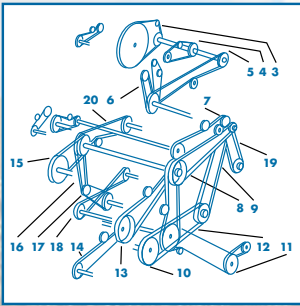
NR.	DRIVE	PART NUMBER	SET	AP NR.	EAN
M 89					
1	HYDRAULIC PUMP DRIVE	80230043	1	AP1000224	4014486462913
3	STRAW ELEVATOR DRIVE	80230059	1	AP1000654	4014486470178
4	REEL DRIVE	80230060	1	AP1003534	4014486470536
5	STICKLE KNIFE DRIVE	80230060	1	AP1003534	4014486470536
6	GRAIN TANK UNLOADING	80230061	1	AP1004467	4014486715699
10	TAILINGS ELEVATOR	80230046	1	AP1004468	4014486712124
14	ELEVATOR DRIVE	80230046	1	AP1004468	4014486712124
16	CYLINDER	80230078	1	AP1001509	4014486460254
TC 5040					
3	DRIVE, ROTARY SCREEN AND FAN	84989965	1	AP1000169	4014486461954
4	AIR CONDITIONING FAN DRIVE	9818704	1	AP1002589	4014486495836
4	INTERMEDIATE SHAFT DRIVE	87535206	1	AP1003727	4014486495164
4	AIR CONDITIONING FAN DRIVE	89818704	1	AP1002589	4014486495836
7	UNLOADING AUGER DRIVE	84448591	1	AP1000657	4014486470215
8	HEADER DRIVE ENGAGING IDLER 3HB ONLY	89817374	1	AP1001876	4014486489231
9	UPPER GROUND SPEED	80356024	1	AP1001489	4014486459999
10	VARIATOR DRIVE	9850782	1	AP1001491	4014486460018
10	VARIATOR DRIVE	89850782	1	AP1001491	4014486460018
11	DRIVE GROUP FOR GRAIN AND TAILINGS ELEVATOR	80422731	1	AP1000696	4014486470772
12	ECCENTRIC SHAFT DRIVE	80387469	1	AP1000700	4014486470833
15	DRUM VARI-DRIVE CONTROL	336784	1	AP1001506	4014486460216
16	FAN VARI-DRIVE	9515075	1	AP1001428	4014486459364
16	FAN VARI-DRIVE	89515075	1	AP1001428	4014486459364
17	FAN VARI-DRIVE	9515076	1	AP1001416	4014486459234
17	FAN VARI-DRIVE	89515076	1	AP1001416	4014486459234
18	STRAW WALKER SHAFT	80431784	1	AP1000328	4014486465587
20	ROTARY SEPARATOR DRIVE	89837412	1	AP1000573	4014486468816
13-14	2HC DRIVE BESIDE STRAW ELEVATOR	84971217	1	AP1001782	4014486520385
TC 5050					
3	DRIVE, ROTARY SCREEN AND FAN	84989965	1	AP1000169	4014486461954
4	AIR CONDITIONING FAN DRIVE	9818704	1	AP1002589	4014486495836
4	INTERMEDIATE SHAFT DRIVE	87535206	1	AP1003727	4014486495164
4	AIR CONDITIONING FAN DRIVE	89818704	1	AP1002589	4014486495836
7	UNLOADING AUGER DRIVE	84448591	1	AP1000657	4014486470215
8	HEADER DRIVE ENGAGING IDLER 3HB ONLY	89817374	1	AP1001876	4014486489231
11	DRIVE GROUP FOR GRAIN AND TAILINGS ELEVATOR	80422731	1	AP1000696	4014486470772
12	ECCENTRIC SHAFT DRIVE	80387469	1	AP1000700	4014486470833
15	DRUM VARI-DRIVE CONTROL	336784	1	AP1001506	4014486460216
16	FAN VARI-DRIVE	9515075	1	AP1001428	4014486459364
16	FAN VARI-DRIVE	89515075	1	AP1001428	4014486459364
17	FAN VARI-DRIVE	9515076	1	AP1001416	4014486459234
17	FAN VARI-DRIVE	89515076	1	AP1001416	4014486459234
18	STRAW WALKER SHAFT	80431784	1	AP1000328	4014486465587
19	SUSPENSION HYDROSTATIC PUMP	89818873	1	AP1003662	4014486490718
20	ROTARY SEPARATOR DRIVE	89837412	1	AP1000573	4014486468816
13-14	2HC DRIVE BESIDE STRAW ELEVATOR	84971217	1	AP1001782	4014486520385
TC 5060					
3	DRIVE, ROTARY SCREEN AND FAN	84989965	1	AP1000169	4014486461954
4	AIR CONDITIONING FAN DRIVE	9818704	1	AP1002589	4014486495836
4	INTERMEDIATE SHAFT DRIVE	87535206	1	AP1003727	4014486495164
4	AIR CONDITIONING FAN DRIVE	89818704	1	AP1002589	4014486495836
7	UNLOADING AUGER DRIVE	84448591	1	AP1000657	4014486470215



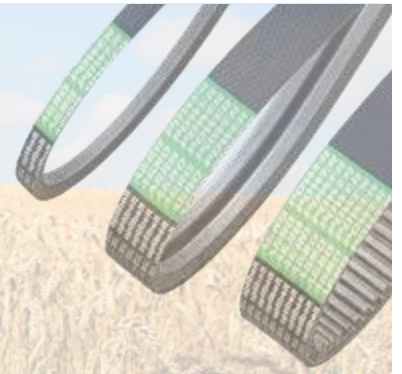
TC 52

NEW HOLLAND

NR.	DRIVE	PART NUMBER	SET	AP NR.	EAN
8	HEADER DRIVE ENGAGING IDLER 3HB ONLY	89817374	1	AP1001876	4014486489231
9	UPPER GROUND SPEED	80356024	1	AP1001489	4014486459999
10	VARIATOR DRIVE	9850782	1	AP1001491	4014486460018
10	VARIATOR DRIVE	89850782	1	AP1001491	4014486460018
11	DRIVE GROUP FOR GRAIN AND TAILINGS ELEVATOR	80422731	1	AP1000696	4014486470772
12	ECCENTRIC SHAFT DRIVE	80387469	1	AP1000700	4014486470833
15	DRUM VARI-DRIVE CONTROL	336784	1	AP1001506	4014486460216
16	FAN VARI-DRIVE	9515075	1	AP1001428	4014486459364
16	FAN VARI-DRIVE	89515075	1	AP1001428	4014486459364
17	FAN VARI-DRIVE	9515076	1	AP1001416	4014486459234
17	FAN VARI-DRIVE	89515076	1	AP1001416	4014486459234
18	STRAW WALKER SHAFT	80431784	1	AP1000328	4014486465587
20	ROTARY SEPARATOR DRIVE	89837412	1	AP1000573	4014486468816
13-14	2HC DRIVE BESIDE STRAW ELEVATOR	84971217	1	AP1001782	4014486520385
TC 5070					
3	DRIVE, ROTARY SCREEN AND FAN	84989965	1	AP1000169	4014486461954
4	AIR CONDITIONING FAN DRIVE	9818704	1	AP1002589	4014486495836
4	AIR CONDITIONING FAN DRIVE	89818704	1	AP1002589	4014486495836
7	UNLOADING AUGER DRIVE	84448591	1	AP1000657	4014486470215
8	HEADER DRIVE ENGAGING IDLER 3HB ONLY	89817374	1	AP1001876	4014486489231
11	DRIVE GROUP FOR GRAIN AND TAILINGS ELEVATOR	80422731	1	AP1000696	4014486470772
12	ECCENTRIC SHAFT DRIVE	80387469	1	AP1000700	4014486470833
15	DRUM VARI-DRIVE CONTROL	336784	1	AP1001506	4014486460216
16	FAN VARI-DRIVE	9515075	1	AP1001428	4014486459364
16	FAN VARI-DRIVE	89515075	1	AP1001428	4014486459364
17	FAN VARI-DRIVE	9515076	1	AP1001416	4014486459234
17	FAN VARI-DRIVE	89515076	1	AP1001416	4014486459234
18	STRAW WALKER SHAFT	80431784	1	AP1000328	4014486465587
19	SUSPENSION HYDROSTATIC PUMP	89818873	1	AP1003662	4014486490718
20	ROTARY SEPARATOR DRIVE	89837412	1	AP1000573	4014486468816
13-14	2HC DRIVE BESIDE STRAW ELEVATOR	84971217	1	AP1001782	4014486520385
TC 5080					
3	DRIVE, ROTARY SCREEN AND FAN	84989965	1	AP1000169	4014486461954
4	AIR CONDITIONING FAN DRIVE	9818704	1	AP1002589	4014486495836
4	AIR CONDITIONING FAN DRIVE	89818704	1	AP1002589	4014486495836
7	UNLOADING AUGER DRIVE	84448591	1	AP1000657	4014486470215
8	HEADER DRIVE ENGAGING IDLER 3HB ONLY	89817374	1	AP1001876	4014486489231
11	DRIVE GROUP FOR GRAIN AND TAILINGS ELEVATOR	80422731	1	AP1000696	4014486470772
12	ECCENTRIC SHAFT DRIVE	80387469	1	AP1000700	4014486470833
15	DRUM VARI-DRIVE CONTROL	336784	1	AP1001506	4014486460216
16	FAN VARI-DRIVE	9515075	1	AP1001428	4014486459364
16	FAN VARI-DRIVE	89515075	1	AP1001428	4014486459364
17	FAN VARI-DRIVE	9515076	1	AP1001416	4014486459234
17	FAN VARI-DRIVE	89515076	1	AP1001416	4014486459234
18	STRAW WALKER SHAFT	80431784	1	AP1000328	4014486465587
19	SUSPENSION HYDROSTATIC PUMP	89818873	1	AP1003662	4014486490718
20	ROTARY SEPARATOR DRIVE	89837412	1	AP1000573	4014486468816
13-14	2HC DRIVE BESIDE STRAW ELEVATOR	84971217	1	AP1001782	4014486520385
TC 52					
3	ROTARY DUST SCREEN DRIVE	89514310	1	AP1000152	4014486461725
4	RADIATOR FAN (FOR TC52 ONLY)	89831515	1	no AP	
5	ENGINE	89818705	1	AP1004896	4014486740295
6	ALTERNATOR AND WATERPUMP DRIVE (WITHOUT AIR COMPRESSOR)	84005860	1	AP1002636	4014486480405
7	INTERMEDIATE SHAFT - ENGINE	9838606	1	AP1000654	4014486470178

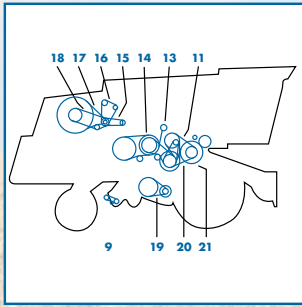


TC 54 - TC 56

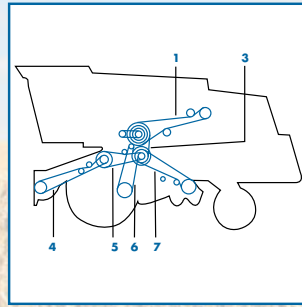


NEW HOLLAND

NR.	DRIVE	PART NUMBER	SET	AP NR.	EAN
7	INTERMEDIATE SHAFT - ENGINE	89838606	1	AP1000654	4014486470178
8	BEATER SHAFT - MAIN DRIVE	89817374	1	AP1001876	4014486489231
11	AUGER (GRAIN)	80422731	1	AP1000696	4014486470772
12	BEATER SHAFT - ECCENTRIC SHAFT	80387469	1	AP1000700	4014486470833
13	STRAW ELEVATOR - BEATER SHAFT	80066232	1	AP1000690	4014486470697
13	STRAW ELEVATOR - BEATER SHAFT	80424563	1	AP1001765	4014486487480
14	HEADER DRIVE (CODE 0212) TC 52-54	89817487	1	AP1004471	4014486712131
14	HEADER DRIVE (CODE 0212) TC 52-54	89817488	1	AP1001780	4014486487671
14	HEADER DRIVE (CODE 1300) FOR L. CONV. TC52-54	89835120	1	AP1001781	4014486487688
14	HEADER DRIVE (CODE 1300) FOR L. CONV. TC52-54	89839375	1	AP1000774	4014486471830
15	DRUM - BEATER SHAFT	80336784	1	AP1001506	4014486460216
16	BEATER SHAFT	89515075	1	AP1001428	4014486459364
17	FAN DRIVE	89515076	1	AP1001416	4014486459234
18	STRAW WALKER - ECCENTRIC SHAFT	80431784	1	AP1000328	4014486465587
19	HYDROSTATIC PUMP (CODE 0800)	89818873	1	AP1003662	4014486490718
20	ROTARY SEPARATOR (CODE 2300)	89837412	1	AP1000573	4014486468816
TC 54					
3	ROTARY DUST SCREEN DRIVE	89514310	1	AP1000152	4014486461725
4	RADIATOR FAN (FOR TC54-56 ONLY)	89818704	1	AP1002589	4014486495836
5	ENGINE	89818705	1	AP1004896	4014486740295
6	ALTERNATOR AND WATERPUMP DRIVE (WITHOUT AIR COMPRESSOR)	84005860	1	AP1002636	4014486480405
7	INTERMEDIATE SHAFT - ENGINE	89838606	1	AP1000654	4014486470178
8	BEATER SHAFT - MAIN DRIVE	89817374	1	AP1001876	4014486489231
11	AUGER (GRAIN)	80422731	1	AP1000696	4014486470772
12	BEATER SHAFT - ECCENTRIC SHAFT	80387469	1	AP1000700	4014486470833
13	STRAW ELEVATOR - BEATER SHAFT	80066232	1	AP1000690	4014486470697
13	STRAW ELEVATOR - BEATER SHAFT	80424563	1	AP1001765	4014486487480
14	HEADER DRIVE (CODE 0212) TC 52-54	89817487	1	AP1004471	4014486712131
14	HEADER DRIVE (CODE 0212) TC 52-54	89817488	1	AP1001780	4014486487671
14	HEADER DRIVE (CODE 1300) FOR L. CONV. TC52-54	89835120	1	AP1001781	4014486487688
14	HEADER DRIVE (CODE 1300) FOR L. CONV. TC52-54	89839375	1	AP1000774	4014486471830
15	DRUM - BEATER SHAFT	80336784	1	AP1001506	4014486460216
16	BEATER SHAFT	89515075	1	AP1001428	4014486459364
17	FAN DRIVE	89515076	1	AP1001416	4014486459234
18	STRAW WALKER - ECCENTRIC SHAFT	80431784	1	AP1000328	4014486465587
19	HYDROSTATIC PUMP (CODE 0800)	89818873	1	AP1003662	4014486490718
20	ROTARY SEPARATOR (CODE 2300)	89837412	1	AP1000573	4014486468816
TC 56					
3	ROTARY DUST SCREEN DRIVE	89514310	1	AP1000152	4014486461725
4	RADIATOR FAN (FOR TC54-56 ONLY)	89818704	1	AP1002589	4014486495836
5	ENGINE	89818705	1	AP1004896	4014486740295
6	ALTERNATOR AND WATERPUMP DRIVE (WITHOUT AIR COMPRESSOR)	84005860	1	AP1002636	4014486480405
7	INTERMEDIATE SHAFT - ENGINE	89838606	1	AP1000654	4014486470178
8	BEATER SHAFT - MAIN DRIVE	89817374	1	AP1001876	4014486489231
11	AUGER (GRAIN)	80422731	1	AP1000696	4014486470772
12	BEATER SHAFT - ECCENTRIC SHAFT	80387469	1	AP1000700	4014486470833
13	STRAW ELEVATOR - BEATER SHAFT	80066232	1	AP1000690	4014486470697
13	STRAW ELEVATOR - BEATER SHAFT	80424563	1	AP1001765	4014486487480
14	HEADER DRIVE (CODE 0209) TC56	89817487	1	AP1004471	4014486712131
14	HEADER DRIVE (CODE 0209) TC56	89817488	1	AP1001780	4014486487671
14	HEADER DRIVE (CODE 1000) FOR L. CONV. TC56	89835120	1	AP1001781	4014486487688
14	HEADER DRIVE (CODE 1000) FOR L. CONV. TC56	89839375	1	AP1000774	4014486471830
15	DRUM - BEATER SHAFT	80336784	1	AP1001506	4014486460216
16	BEATER SHAFT	89515075	1	AP1001428	4014486459364
17	FAN DRIVE	89515076	1	AP1001416	4014486459234



TF 42 - TF 44 LEFT



TF 42 - TF 44 RIGHT

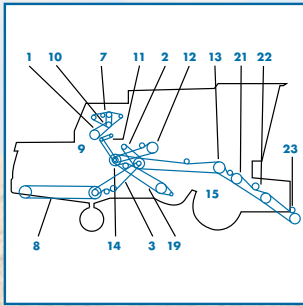
NEW HOLLAND

NR.	DRIVE	PART NUMBER	SET	AP NR.	EAN
18	STRAW WALKER - ECCENTRIC SHAFT	80431784	1	AP1000328	4014486465587
19	HYDROSTATIC PUMP (CODE 0800)	89818873	1	AP1003662	4014486490718
20	ROTARY SEPARATOR (CODE 2300)	89837412	1	AP1000573	4014486468816
TC 57					
1		89838606	1	AP1000654	4014486470178
4	STRAW ELEVATOR - BEATER SHAFT	80424563	1	AP1001765	4014486487480
5		80825013	1	AP1001562	4014486484632
7		80330715	1	AP1000726	4014486471182
9		80755808	1	AP1001488	4014486459975
15	BEATER SHAFT	89515075	1	AP1001428	4014486459364
16	FAN DRIVE	89515076	1	AP1001416	4014486459234
17		80387460	1	AP1001537	4014486460568
18	STRAW WALKER - ECCENTRIC SHAFT	80431784	1	AP1000328	4014486465587
TF 42					
3	BEATER TO INTERMEDIATE SHAFT (MERCEDES ENGINE)	80455865	1	AP1001954	4014486490596
4	STRAW ELEVATOR DRIVE	80433746	2	AP1003252	4014486518573
5	BEATER TO STRAW ELEVATOR	80350236	1	AP1003640	4014486489002
5	BEATER TO STRAW ELEVATOR	80434222	1	AP1001635	4014486485837
5	BEATER TO STRAW ELEVATOR	80743877	1	AP1003349	4014486490985
6	GROUND SPEED VARIATOR DRIVE	80440780	1	no AP	
7	SHAKER SHOE DRIVE	80448794	1	AP1000756	4014486471571
11	BEATER (REAR) TO DRUM SHAFT	80186347	1	AP1000630	4014486469813
13	INTERMEDIATE SHAFT - ROTARY SEPARATOR	80434047	1	AP1001602	4014486485240
14	ROTARY SEPARATOR TO ROTOR	80434046	1	AP1000657	4014486470215
16	MERCEDES ENGINE	80432642	1	AP1003746	4014486495928
17	DUST CAP	80439495	1	AP1000173	4014486462005
18	FAN DRIVE	80439496	1	AP1002609	4014486496161
19	FAN DRIVE	80439832	1	AP1001415	4014486459227
20	DRUM SHAFT TO INTERMEDIATE SHAFT	80434160	1	no AP	
21	INTERMEDIATE SHAFT - GRAIN ELEVATOR	80433639	1	AP1000237	4014486463408
TF 44					
3	BEATER TO INTERMEDIATE SHAFT (MERCEDES ENGINE)	80455865	1	AP1001954	4014486490596
4	STRAW ELEVATOR DRIVE	80433746	2	AP1003252	4014486518573
5	BEATER TO STRAW ELEVATOR	80350236	1	AP1003640	4014486489002
5	BEATER TO STRAW ELEVATOR	80434222	1	AP1001635	4014486485837
5	BEATER TO STRAW ELEVATOR	80743877	1	AP1003349	4014486490985
6	GROUND SPEED VARIATOR DRIVE	80440780	1	no AP	
7	SHAKER SHOE DRIVE	80448794	1	AP1000756	4014486471571
11	BEATER (REAR) TO DRUM SHAFT	80186347	1	AP1000630	4014486469813
13	INTERMEDIATE SHAFT - ROTARY SEPARATOR	80434047	1	AP1001602	4014486485240
14	ROTARY SEPARATOR TO ROTOR	80434046	1	AP1000657	4014486470215
16	MERCEDES ENGINE	80432642	1	AP1003746	4014486495928
17	DUST CAP	80439495	1	AP1000173	4014486462005
18	FAN DRIVE	80439496	1	AP1002609	4014486496161
19	FAN DRIVE	80439832	1	AP1001415	4014486459227
20	DRUM SHAFT TO INTERMEDIATE SHAFT	80434160	1	no AP	
21	INTERMEDIATE SHAFT - GRAIN ELEVATOR	80433639	1	AP1000237	4014486463408
TF 46					
1	BEATER TO INTERMEDIATE DRIVE	80750166	1	AP1001242	4014486491975
2	MAIN DRIVE 4HB	750290	1	AP1002008	4014486491371
2	MAIN DRIVE 4HB	80750290	1	AP1002008	4014486491371
3	DRUM DRIVE	84817628	1	AP1000631	4014486469837
4	STRAW ELEVATOR DRIVE - WITH LATERAL FLOTATION, 7401001 - 7406999	80453268	2	AP1003311	4014486518559

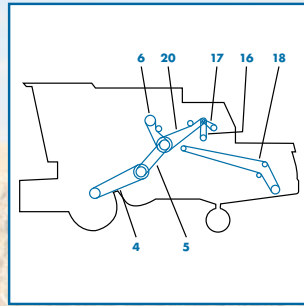


NEW HOLLAND

NR.	DRIVE	PART NUMBER	SET	AP NR.	EAN
4	COUNTERSHAFT	80919681	1	AP1001602	4014486485240
5	GRAIN ELEVATOR DRUM DRIVE 3HB	84817632	1	AP1001861	4014486488975
5	GRAIN TANK UNLOADING	84817636	1	AP1003404	4014486463255
6	CLEANING SHOE DRIVE	448794	1	AP1000756	4014486471571
6	INTERMEDIATE SHAFT DRIVE	89832601	1	AP1001288	4014486497861
7	ROTARY SEPARATOR	84448591	1	AP1000657	4014486470215
8	ROTOR TO UNDERSHOT BEATER	80427456	1	AP1003351	4014486464603
9	FAN DRIVE	80750318	1	AP1001134	4014486497182
9	ROTARY DUST SCREEN DRIVE, 7404001 - 7409999	87374615	1	AP1004049	4014486518436
10	COOLING FAN DRIVE - INTERMEDIATE SHAFT	80439496	1	AP1002609	4014486496161
11	WATERPUMP AND ALTERNATOR DRIVE, 7416001 - 7418999	452023	2	AP1002595	4014486495980
11	WATERPUMP AND ALTERNATOR DRIVE, 7401001 - 7415999	80748003	2	AP1003746	4014486495928
12	DUST - SCREEN BELT	80436304	1	AP1002482	4014486493788
14	MAIN DRIVE 2HB	84000191	1	AP1003616	4014486486667
16	CHOPPER DRIVE, 7422001 -	84000189	1	AP1000668	4014486470352
17	CHOPPER DRIVE, 7410001 -	80457309	1	AP1000181	4014486462104
18	WATERPUMP DRIVE	80443634	1	AP1002543	4014486494723
TF 76					
1	MAIN DRIVE BELT	84817623	1	AP1001954	4014486490596
2	HYDROSTATIC DRIVE	84817631	1	AP1003668	4014486491333
3	FAN DRIVE	84817629	1	AP1001557	4014486484564
4	DRIVE BESIDES STRAW ELEVATOR 4HB	9593400	1	AP1002029	4014486491647
4	GRAIN ELEVATOR DRIVE	89593418	1	AP1000813	4014486472370
5	BEATER TO STRAW ELEVATOR 2HB	80434222	1	AP1001635	4014486485837
5	BEATER TO STRAW ELEVATOR 2HB	84817632	1	AP1001861	4014486488975
6	SHAKER SHOE DRIVE	448794	1	AP1000756	4014486471571
10	CHOPPER, DRIVE FOR TF76 ONLY	84000189	1	AP1000668	4014486470352
12	DRUM DRIVE	84817628	1	AP1000631	4014486469837
13	EXTENSION COUNTERSHAFT	80919681	1	AP1001602	4014486485240
14	AUGER DRIVE	84817636	1	AP1003404	4014486463255
15	BEATER TO INTERMEDIATE DRIVE	89832601	1	AP1001288	4014486497861
16	ROTARY SEPARATOR	84448591	1	AP1000657	4014486470215
17	THROW-OUT BEATER DRIVE	80427456	1	AP1003351	4014486464603
18	CLEANING FAN DRIVE	84817627	1	AP1001135	4014486497199
21		84000189	1	AP1000668	4014486470352
22	CENTRIFUGAL SEPARATOR	84817639	1	AP1002608	4014486496154
23	ALTERNATOR, WATERPUMP AND FAN	84817638	1	AP1003807	4014486483048
24	HYDRAULIC PUMP	84817670	2	AP1002969	4014486495584
25	CLEANING FAN DRIVE	84817630	1	AP1002606	4014486496130
26	COMPRESSOR DRIVE	84817626	1	AP1002579	4014486495560
27	ROTARY SIEVE	84022715	1	no AP	
TF 78					
1	THRESHING, DRIVE, BELT AND GUARD	80750166	1	AP1001242	4014486491975
2	HYDROSTATIC DRIVE	84817631	1	AP1003668	4014486491333
3	FAN DRIVE 2 HB	84817629	1	AP1001557	4014486484564
4	DRIVE BESIDES STRAW ELEVATOR 4HB	9593400	1	AP1002029	4014486491647
4	GRAIN ELEVATOR DRIVE	89593418	1	AP1000813	4014486472370
5	BEATER TO STRAW ELEVATOR 2HB	80434222	1	AP1001635	4014486485837
5	BEATER TO STRAW ELEVATOR 2HB	84817632	1	AP1001861	4014486488975
6	SHAKER SHOE DRIVE	448794	1	AP1000756	4014486471571
10	CHOPPER, DRIVE FOR TF78 ONLY	84000189	1	AP1000668	4014486470352
12	DRUM DRIVE	84817628	1	AP1000631	4014486469837
13	EXTENSION COUNTERSHAFT	80919681	1	AP1001602	4014486485240
14	AUGER DRIVE	84817636	1	AP1003404	4014486463255
15	BEATER TO INTERMEDIATE DRIVE	89832601	1	AP1001288	4014486497861



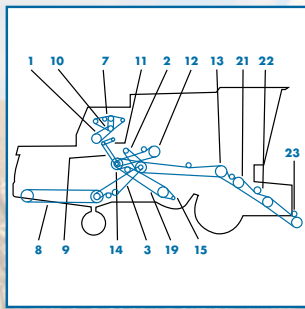
TR 75 LEFT



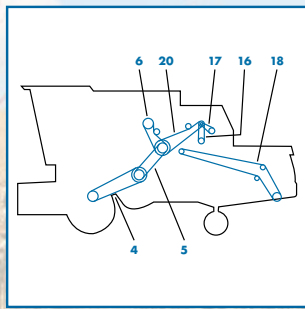
TR 75 RIGHT

NEW HOLLAND

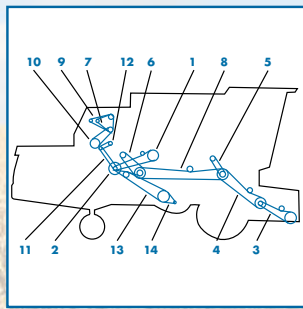
NR.	DRIVE	PART NUMBER	SET	AP NR.	EAN
16	ROTARY SEPARATOR	84448591	1	AP1000657	4014486470215
17	THROW-OUT BEATER DRIVE	80427456	1	AP1003351	4014486464603
18	CLEANING FAN DRIVE	84817627	1	AP1001135	4014486497199
22	ROTARY SCREEN DRIVE	84021588	1	AP1000083	4014486519358
23	AIR CONDITIONER, ENGINE PARTS	84007307	2	AP1002605	4014486496123
24	HYDRAULIC PUMP	89835816	1	AP1002588	4014486495812
25	ROTARY SCREEN DRIVE	84021590	1	AP1000082	4014486519341
TL80					
	FAN BELT	4796327	1	AP1002461	4014486493450
TL90					
	FAN BELT	4796327	1	AP1002461	4014486493450
TN60VA					
	AIR CONDITIONING COMPRESSOR DRIVE	87324567	1	AP1002575	4014486495478
TN65V					
	AIR CONDITIONING COMPRESSOR DRIVE	87324567	1	AP1002575	4014486495478
TN70VA					
	AIR CONDITIONING COMPRESSOR DRIVE	87324567	1	AP1002575	4014486495478
TN75VA					
	AIR CONDITIONING COMPRESSOR DRIVE	87324567	1	AP1002575	4014486495478
TN95VA					
	AIR CONDITIONING COMPRESSOR DRIVE	87324567	1	AP1002575	4014486495478
TR 70					
6	ROTOR DRIVE (OPT FOR HIGH SPEED)	715785	1	AP1004170	4014486522808
10	ALTERNATOR AND FAN DRIVE (CATERPILLAR ENGINE DIESEL)	626654	2	AP1002567	4014486495324
TR 75					
11	ROTARY SCREEN (UPPER)	716254	1	no AP	
13	HEADER DRIVE 193	682008	1	AP1004122	4014486522969
17	AIR COMPRESSOR - 48	259346	1	AP1002549	4014486494815
17	AIR COMPRESSOR - 48	80259346	1	AP1002549	4014486494815
22	FEEDER HOUSE FIXED SPEED	621367	1	AP1004120	4014486522945



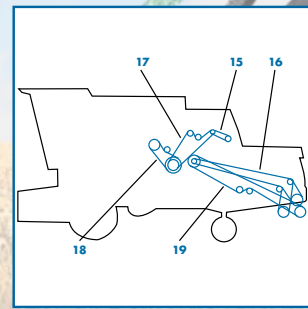
TR 85 LEFT



TR 85 RIGHT



TR 86 LEFT

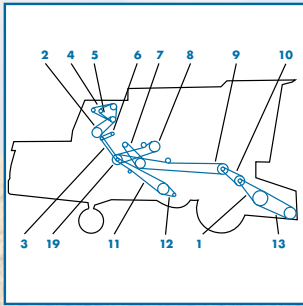


TR 86 RIGHT

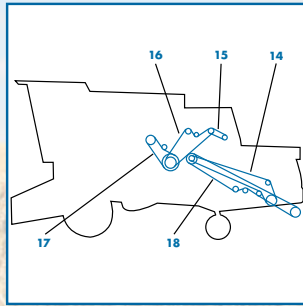
NEW HOLLAND

NR.	DRIVE	PART NUMBER	SET	AP NR.	EAN
TR 85					
11	ROTARY SCREEN (UPPER)	716254	1	no AP	
13	HEADER DRIVE 193	682008	1	AP1004122	4014486522969
17	AIR COMPRESSOR - 48	259346	1	AP1002549	4014486494815
22	FEEDER HOUSE FIXED SPEED	621367	1	AP1004120	4014486522945
TR 86					
4	FEEDER HOUSE FIXED SPEED	621367	1	AP1004120	4014486522945
4	FEEDER DRIVE VARIABLE SPEED	849514	1	AP1004169	4014486522792
4	SMALL GRAIN SPECIAL	9613963	1	AP1004140	4014486523201
7	ENGINE FAN HYDRAULIC PUMP	855676	1	AP1003746	4014486495928
8	HEADER DRIVE	682008	1	AP1004122	4014486522969
9	ALTERNATOR DRIVE	626654	2	AP1002567	4014486495270
10	HYDRAULIC PUMP DRIVE	855676	1	AP1003746	4014486495928
12	ROTARY SCREEN DRIVE (SECONDARY)	716254	1	no AP	
15	AIR CONDITIONING COMPRESSOR DRIVE	259346	1	AP1002549	4014486494815
15	AIR CONDITIONING COMPRESSOR DRIVE	577240	1	AP1002565	4014486495225
TR 89					
22	MAIN SHAFT DRIVE, HYDROSTATIC	86514163	1	AP1005039	4014486920420

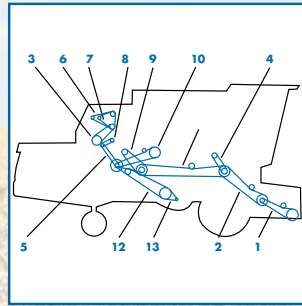
AG - BI
 CA - CL
 DE - DR
 FE - FO
 GL - GR
 IN - JO
 KP - KZ
 LA - ME
 NE - RO
 SA - ST
 VA - ZM
 PARTS
 SERVICE



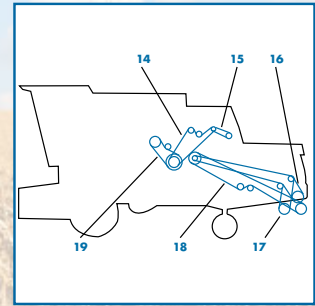
TR 95 LEFT



TR 95 RIGHT



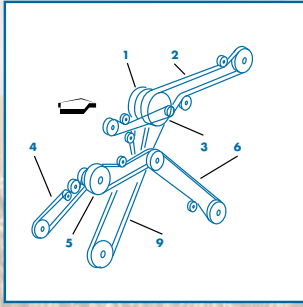
TR 96 LEFT



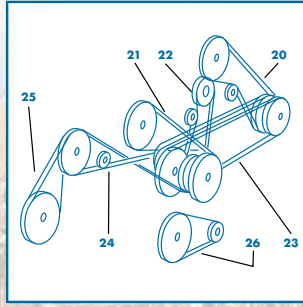
TR 96 RIGHT

NEW HOLLAND

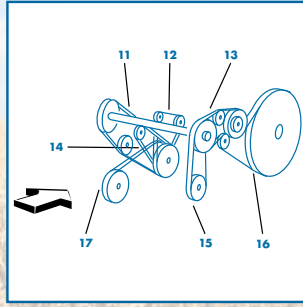
NR.	DRIVE	PART NUMBER	SET	AP NR.	EAN
TR 95					
1	FEEDER HOUSE FIXED SPEED	621367	1	AP1004120	4014486522945
2	HYDRAULIC PUMP DRIVE	624650	2	AP1000258	4014486464061
3	ROTARY SCREEN DRIVE	615790	1	AP1004108	4014486522839
4	ALTERNATOR AND WATERPUMP DRIVE	626654	2	AP1002567	4014486495270
6	ALTERNATOR DRIVE	626657	1	AP1002567	4014486495270
6	ROTARY SCREEN DRIVE (SECONDARY)	716254	1	no AP	
11	SHAKER SHOE DRIVE	774747	1	AP1001633	4014486485783
12	CLEANING FAN - VARIATOR DRIVE (WITHOUT SLOW DOWN)	710752	1	AP1004167	4014486522778
12	CLEANING FAN - VARIATOR DRIVE (WITHOUT INT.SPEED KIT)	773300	1	AP1004168	4014486522785
15	AIR CONDITIONING COMPRESSOR DRIVE 48	259346	1	AP1002549	4014486494815
16	HYDROSTATIC PUMP DRIVE AND MAIN SHAFT	649035	1	AP1004151	4014486523324
18	STRAW SPREADER DRIVE	618040	1	AP1004117	4014486522914
TR 96					
2	FEEDER HOUSE FIXED SPEED	621367	1	AP1004120	4014486522945
2	FEEDER DRIVE VARIABLE SPEED	849514	1	AP1004169	4014486522792
2	SMALL GRAIN SPECIAL - 3HB	9613963	1	AP1004140	4014486523201
3	HYDRAULIC PUMP DRIVE	624650	2	AP1000258	4014486464061
3	ENGINE FAN DRIVE	768340	2	AP1004158	4014486554397
3	ENGINE FAN AND HYDRAULIC PUMP	855676	1	AP1003746	4014486495928
5	ROTARY SCREEN DRIVE (PRIMARY)	615790	1	AP1004108	4014486522839
5	ROTARY SCREEN DRIVE (PRIMARY)	859063	1	AP1004164	4014486522983
6	ALTERNATOR DRIVE	626654	2	AP1002567	4014486495270
6	ALTERNATOR DRIVE	626657	1	AP1002567	4014486495270
8	ROTARY SCREEN DRIVE (SECONDARY)	716254	1	no AP	
10	CLEAN GRAIN ELEVATOR DRIVE IMPROVED	9604713	1	AP1004126	4014486523089
11	HEADER DRIVE	682008	1	AP1004122	4014486522969
12	SHAKER SHOE DRIVE	774747	1	AP1001633	4014486485783
14	HYDROSTATIC - MAIN SHAFT DRIVE	649035	1	AP1004151	4014486523324
14	HYDROSTATIC - MAIN SHAFT DRIVE	797979	1	AP1004152	4014486523331
15	AIR CONDITIONING COMPRESSOR DRIVE	259346	1	AP1002549	4014486494815
15	AIR CONDITIONING COMPRESSOR DRIVE	626657	1	AP1002567	4014486495270
16	STRAW SPREADER DRIVE	618040	1	AP1004117	4014486522914
TR 97					
1	ENGINE FAN HYDRAULIC PUMP	855676	1	AP1003746	4014486495928
6	CLEAN GRAIN ELEVATOR DRIVE IMPROVED	9604713	1	AP1004126	4014486523089
7	HEADER DRIVE	682008	1	AP1004122	4014486522969
8	HYDRAULIC REEL PUMP DRIVE	9609607	1	AP1000230	4014486463187
9	ROTARY SCREEN DRIVE (PRIMARY)	859063	1	AP1004164	4014486522983
10	SHAKER SHOE DRIVE	774747	1	AP1001633	4014486485783
13	FEEDER HOUSE FIXED SPEED	621367	1	AP1004120	4014486522945
15	HYDROSTATIC - MAIN SHAFT DRIVE	797979	1	AP1004152	4014486523331
16	AIR CONDITIONING COMPRESSOR DRIVE	626657	1	AP1002567	4014486495270
17	STRAW SPREADER DRIVE	618040	1	AP1004117	4014486522914
TR 98					
1	HYDRAULIC PUMP DRIVE	773255	1	AP1002582	4014486495638
4	ROTOR VARIATOR DRIVE - STANDARD SPEED ROTOR	86518568	1	no AP	
6	CLEAN GRAIN ELEVATOR DRIVE IMPROVED	9604713	1	AP1004126	4014486523089
7	HEADER DRIVE	86503087	1	AP1004123	4014486522976
8	HYDRAULIC REEL PUMP DRIVE	9609607	1	AP1000230	4014486463187
9	ROTARY SCREEN DRIVE (PRIMARY)	859063	1	AP1004164	4014486522983
10	SHAKER SHOE DRIVE	774747	1	AP1001633	4014486485783
13	FEEDER HOUSE FIXED SPEED	9613963	1	AP1004140	4014486523201



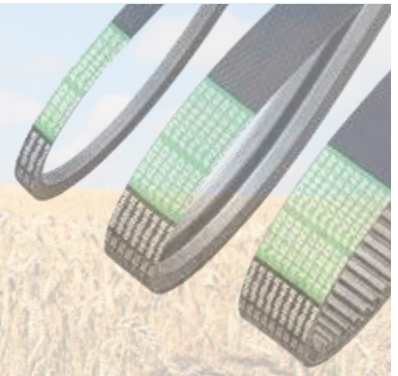
TX 30



TX 30



TX 30



NEW HOLLAND

NR.	DRIVE	PART NUMBER	SET	AP NR.	EAN
16	AIR CONDITIONING COMPRESSOR DRIVE	577240	1	AP1002565	4014486495225
17	STRAW SPREADER DRIVE	618040	1	AP1004117	4014486522914
20	UNLOADING AUGER DRIVE	86514256	1	AP1004119	4014486522938
22	MAIN SHAFT DRIVE - HYDROSTATIC	86514163	1	AP1005039	4014486920420
TR 99					
22	MAIN SHAFT DRIVE - HYDROSTATIC	86514163	1	AP1005039	4014486920420
TX 30					
1	BEATER TO INTERMEDIATE DRIVE	80455865	1	AP1001954	4014486490596
2	HYDROSTATIC DRIVE - ENGINE TO BEATER SHAFT	80922872	1	AP1002004	4014486491319
2	ENGINE TO BEATER SHAFT - MECHANICAL DRIVE	80922911	1	AP1002004	4014486491319
3	UNLOADING AUGER ENGAGING	89512971	1	AP1000554	4014486468472
4	STRAW ELEVATOR DRIVE	80433746	2	AP1003252	4014486518573
5	BEATER TO STRAW ELEVATOR	80350236	1	AP1003640	4014486489002
6	CLEANING SHOE DRIVE	80448794	1	AP1000756	4014486471571
9	GROUND SPEED VARIATOR DRIVE	80440780	1	no AP	
11	COOLING FAN DRIVE - INTERMEDIATE SHAFT	80913151	1	AP1000264	4014486464214
12	WATERPUMP DRIVE	80443634	1	AP1002543	4014486494723
13	ROTARY DUST SCREEN DRIVE	80913153	1	AP1000081	4014486484021
16	DUST SCREEN DRIVE	80923019	1	AP1000166	4014486461916
20	BEATER DRIVE	89513984	1	AP1000631	4014486469837
21	ROTARY SEPARATOR DRIVE	80754285	1	AP1005144	4044978203465
22	STORAGE DRIVE GRAIN	80433639	1	AP1000237	4014486463408
23	DRUM SHAFT TO INTERMEDIATE SHAFT	80434160	1	no AP	
24	STRAW WALKER - INTERMEDIATE SHAFT DRIVE	80754389	1	AP1003339	4014486465426
25	STRAW WALKER DRIVE	80754388	1	AP1003341	4014486462999
26	CLEANING FAN - VARIATOR DRIVE	89502654	1	AP1001135	4014486497199
TX 32					
1	BEATER TO INTERMEDIATE DRIVE	80455865	1	AP1001954	4014486490596
2	HYDROSTATIC DRIVE - ENGINE TO BEATER SHAFT	80922872	1	AP1002004	4014486491319
2	ENGINE TO BEATER SHAFT - MECHANICAL DRIVE	80922911	1	AP1002004	4014486491319
3	UNLOADING AUGER ENGAGING	89512971	1	AP1000554	4014486468472
4	STRAW ELEVATOR SIDE	80433746	2	AP1003252	4014486518573
6	CLEANING SHOE DRIVE - FIXED SHOE	80446780	1	AP1005157	4044978203489
26	CLEANING FAN - CODE 111 / FIXED SHOE	80919739	1	AP1001136	4014486497205
TX 34					
15		80754165	1	AP1002415	4014486494280



PÖTTINGER

NR.	DRIVE	PART NUMBER	SET	AP NR.	EAN
		460013	4	AP1000359	4014486466171
		460047	3	AP1002058	4014486475364
		460048	2	AP1002323	4014486478518
		460053	1	AP1004992	4044978006226
		460054	1	AP1004993	4044978006219
		460055	1	AP1002403	4014486479461
		460056	1	AP1003694	4014486479485
		460057	4	AP1002062	4014486475425
		460061	4	AP1002066	4014486475494
		460062	4	AP1002064	4014486475449
		460063	4	AP1002073	4014486475616
		460064	1	AP1004994	4014486920260
		460066	1	AP1002068	4014486475500
		460079	1	AP1004995	4044978006233
		460165	5	AP1004996	4014486920598
		460166	5	AP1004997	4014486920604
		460166	5	AP1004997	4014486920604
		460182	1	AP1004998	4014486920338
		460184	3	AP1004955	4044978006073
		460185	1	AP1004999	4044978005090
		460186	1	AP1002135	4014486476477
		460188	1	AP1002149	4014486476651
		460192	1	AP1002176	4014486477153
		460194	4	AP1000211	4014486462593
		460195	4	AP1003389	4014486462517
		460196	4	AP1000249	4014486463828
		460197	1	AP1003415	4014486463637
		460198	1	AP1003680	4014486477061
		460199	1	AP1002181	4014486477238
		460201	1	AP1000185	4014486462142
		460212	1	AP1003431	4014486464313
		460216	3	AP1002818	4014486463385
		460217	3	AP1000251	4014486463897
		460218	3	AP1000205	4014486462456
		460222	1	AP1000243	4014486463613
		460223	1	AP1000261	4014486464177
		460231	1	AP1000184	4014486462135
		460253	1	AP1000500	4014486467758
		460259	1	AP1002312	4014486480009
		460408	1	AP1001130	4014486490145
		460409	1	AP1002291	4014486479768
		460411	1	AP1000329	4014486465624
		460412	1	AP1000340	4014486465877
		460413	4	AP1000374	4014486466386
		460420	1	AP1002311	4014486479997
		460452	1	AP1001984	4014486491043
		460453	1	AP1001985	4014486491050
		4600000042	1	AP1004984	4044978006301
		4600000043	1	AP1004985	4044978006318
		4601730004	1	AP1004986	4014486920314
		4601740003	1	AP1004987	4044978006097
		4601800003	1	AP1004988	4014486920277
		4601810003	3	AP1004989	4044978006042
		4601830004	4	AP1004990	4014486920321
		4604220004	1	AP1004991	4044978005694
		460.000 0026	1	AP1000254	4014486464009



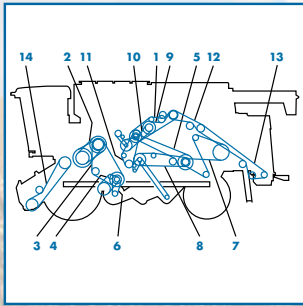
ROSTSELMACH

NR.	DRIVE	PART NUMBER	SET	AP NR.	EAN
4	CUTTING DRUM	6201348	1	AP1002730	4014486472950
7	SHAKER SHAFT DRIVE	6201326	4	AP1003317	4014486472226
7	COUNTER DRIVE MAIN (REAR)	6201354	1	AP1000972	4014486474329
9	AUGER FOR UNLOADING	6201316	1	AP1001609	4014486485363
18	CUTTING DRUM	6201017	1	AP1000835	4014486472622
19	STACKER DRIVE	6201353	1	AP1000970	4014486474299
23	TILTED PLATFORM CHAMBER SHAFT (UPPER)	6201290	1	AP1002702	4014486474121
		6201005	1	AP1004035	4014486518474
		6201006	1	AP1002701	4014486474138
		6201022	1	AP1000729	4014486471212
		6201023	1	AP1000830	4014486472561
		6201029	1	AP1001661	4014486486179
		6201080	1	AP1002300	4014486479881
		6201081	1	AP1002518	4014486494334
		6201083	1	AP1002715	4014486492668
		6201084	1	AP1003323	4014486485677
		6201085	1	AP1002714	4014486492583
		6201086	1	AP1002716	4014486488692
		6201087	1	AP1002719	4014486476132
		6201088	1	AP1002704	4014486486681
		6201089	1	AP1002705	4014486486261
		6201091	1	AP1003314	4014486477832
		6201096	1	AP1001082	4014486496642
		6201097	1	AP1000238	4014486463422
		6201195	1	AP1002014	4014486491449
		6201196	1	AP1001301	4014486492576
		6201265	1	AP1002716	4014486488692
		6201277	1	AP1002232	4014486477948
		6201298	1	AP1003688	4014486477979
		6201315	1	AP1005136	4044978203380
		6201317	1	AP1002706	4014486485547
		6201318	1	AP1002707	4014486486452
		6201319	1	AP1001848	4014486488791
		6201320	1	AP1002713	4014486492651
		6201322	1	AP1002712	4014486492590
		6201324	1	AP1002132	4014486476378
		6201329	1	AP1002725	4014486490909
		6201330	1	AP1003323	4014486485677
		6201335	1	AP1003331	4014486489224
		6201339	1	AP1003680	4014486477061
		6201340	1	AP1002708	4014486486988
		6201341	1	AP1002726	4014486491142
		6201342	1	AP1005147	4044978203496
		6201349	1	AP1000704	4014486470888
		6201350	1	AP1002729	4014486472691
		6201356	1	AP1000428	4014486466928
		6201357	1	AP1002700	4014486466942
		6201358	1	AP1002727	4014486471113
		6201363	1	AP1001617	4014486485479
		6201373	1	AP1001102	4014486496840
		6201379	1	AP1003751	4014486519921
		6201380	1	AP1001963	4014486490725
		6201381	1	AP1003756	4014486461213
		6201382	1	AP1001575	4014486484809
		6201383	1	AP1002709	4014486485097
		6201384	1	AP1001314	4014486492774
		6201387	1	AP1002121	4014486476231

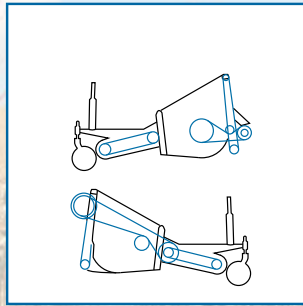


ROSTSELMACH

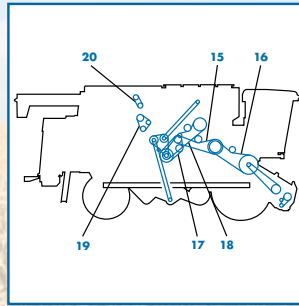
NR.	DRIVE	PART NUMBER	SET	AP NR.	EAN
		6201392	1	AP1001654	4014486486070
		6201393	1	AP1004311	4014486719628
		6201394	1	AP1001998	4014486491241
		6201396	1	AP1002135	4014486476477
		6201397	1	AP1001582	4014486484892
		6201399	1	AP1001921	4014486489897
		6201400	1	AP1001663	4014486486193
		6201401	1	AP1000174	4014486462029
		6201403	1	AP1001324	4014486492866
		6201404	1	AP1001638	4014486485882
		6201405	1	AP1000226	4014486463026
		6201406	1	AP1000171	4014486461978
		6201408	1	AP1002711	4014486491968
		6201411	1	AP1002358	4014486478921
		6201412	1	AP1003328	4014486463217
		6201413	1	AP1002009	4014486491395
		6201414	1	AP1002559	4014486495072
		6201415	1	AP1002717	4014486488203
		6201416	1	AP1002731	4014486483604
		6201417	1	AP1002732	4014486461985
		6201418	1	AP1002734	4014486480290
		6201419	1	AP1001604	4014486485295
		6201420	1	AP1002705	4014486486261
		6201421	1	AP1004703	4014486719284
		6201422	1	AP1002733	4014486483536
		6201424	1	AP1002710	4014486485875
		6201426	1	AP1003933	4014486485301
		6201428	1	AP1004523	4014486719291
		6201432	1	AP1004895	4014486721973
		6201437	1	AP1004703	4014486719284
		6201461	1	AP1002537	4014486494600
		6201315	1	AP1005136	4044978203380
		6201342	1	AP1005147	4044978203496
		6201367	1	AP1005222	
		6201376	2	AP1005153	4044978203533
		6201423	1	AP1004883	4014486714630
		6201431	1	AP1005097	4014486994438
		6201452	1	AP1005068	4014486987706
		6201460	1	AP1005094	4014486994421
		6201485	1	AP1005096	4014486994445
		6201491	1	AP1005113	4044978143693
		6201495	1	AP1005148	4044978203502
		6201496	1	AP1005126	4044978163035
		6201506	1	AP1005127	4044978163011
		6201517	1	AP1005091	4014486990560
		6201518	1	AP1005085	4014486990492
		6201519	1	AP1005090	4014486990546
		6201520	1	AP1005092	4014486990553
		6201521	1	AP1005086	4014486990522
		6201523	1	AP1005087	4014486990515
		6201526	1	AP1005089	4014486990508
		6201528	1	AP1005063	4014486951967
		6201529	1	AP1005064	4014486967319
		6201530	1	AP1005093	4014486990850
		6201534	1	AP1000275	4014486464467
		6201535	1	AP1005128	4044978162984
		6201536	1	AP1000717	4014486471076



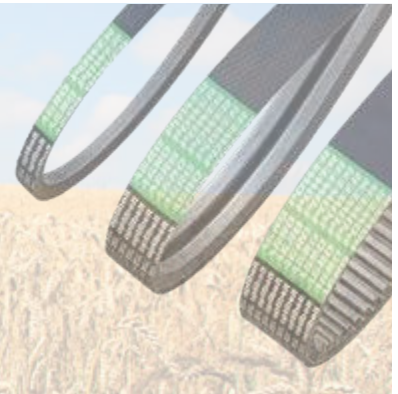
ACROS 530 LEFT



ACROS 530 MIDDLE



ACROS 530 RIGHT



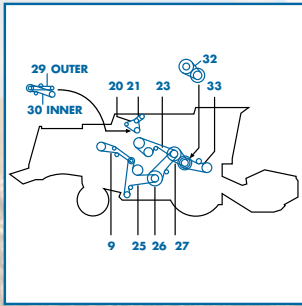
ROSTSELMACH

NR.	DRIVE	PART NUMBER	SET	AP NR.	EAN
		6201537	1	AP1000816	4014486472417
		6201541	1	AP1005219	4044978224927
		6201547	1	AP1005096	4014486994445
		6201550	1	AP1005114	4044978143730
		6201551	1	AP1005130	4044978162977
		6201558	1	AP1002008	4014486491371
		6201560	1	AP1005181	4044978207265
		6201570	1	AP1005115	4044978143747
		6201571	1	AP1005116	4044978143754
		6201572	1	AP1005159	4044978207159
		6201573	1	AP1001857	4014486488920
		6201587	1	AP1005166	4044978207272
ACROS 530					
1	MAIN COUNTERSHAFT DRIVE	6201249	1	AP1001306	4014486492644
2	DRUM DRIVE VARIABLE SPEED	6201246	1	AP1001291	4014486497885
3	CLEANING FAN - COUNTERSHAFT	6201297	2	AP1002229	4014486477917
4	CLEANING SHAFT DRIVE	6201269	2	AP1003313	4044978224903
5	COUNTER DRIVE (REAR)	6201378	1	AP1001673	4014486486377
6	CLEANING FAN DRIVE	6201273	1	AP1001003	4014486497267
8	ELEVATOR DRIVE UNIT	6201275	2	AP1003315	4014486477535
11	FINAL THRESHING UNIT	6201376	2	AP1005153	4044978203533
13	CUTTING DRUM	6201375	1	AP1001700	4014486486766
14	TRANSMISSION SHAFT	6201094	1	AP1002007	4014486491357
15	BEATER DRIVE	6201377	1	AP1001305	4014486492637
16	TILTED PLATFORM CHAMBER SHAFT	6201251	1	AP1003329	4014486491197
17	COUNTER DRIVE GRAIN	6201263	2	AP1002213	4014486477641
19	DUST REMOVING FAN	6201028	1	AP1000217	4014486462760
20	AIR CONDITIONING COMPRESSOR DRIVE	6201371	1	AP1002529	4014486494488
23	CUTTING UNIT DRIVE	6201271	2	AP1002226	4014486477849

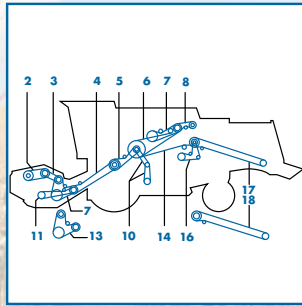


SAMPO

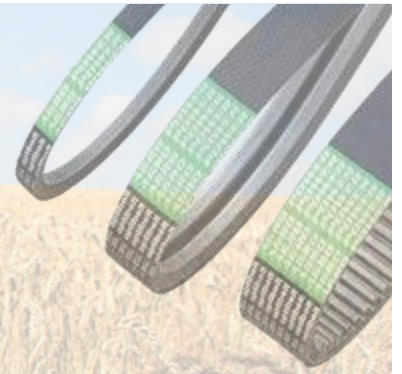
NR.	DRIVE	PART NUMBER	SET	AP NR.	EAN
		1472227	1	AP1002549	4014486494815
		613116	1	AP1000104	4014486461077
		613122	1	AP1003818	4014486478716
		613124	1	AP1000115	4014486461237
		613126	1	AP1002059	4014486475371
		613128	1	AP1000118	4014486461275
		614115	1	AP1000214	4014486462708
		614125	1	AP1000238	4014486463422
		614136	1	AP1000275	4014486464467
		614148	1	AP1000325	4014486465518
		614150	1	AP1000339	4014486520217
		614152	1	AP1000343	4014486465921
		614166	1	no AP	
		614212	1	AP1000235	4014486463361
		614215	1	AP1002304	4014486479928
		614217	1	AP1003839	4014486463538
		614222	1	AP1003840	4014486463903
		614224	1	AP1000257	4014486464047
		614225	1	AP1003834	4014486464146
		614226	1	AP1003841	4014486464139
		614227	1	AP1000269	4014486464320
		614242	1	AP1000300	4014486464979
		614246	1	AP1000313	4014486465273
		614260	1	AP1000370	4014486466331
		615108	1	AP1000548	4014486468359
		615109	1	AP1003495	4014486468588
		615116	1	AP1000575	4014486468847
		615124	1	AP1003821	4014486469721
		615128	1	AP1000645	4014486470055
		615129	1	AP1000664	4014486470307
		615130	1	AP1000646	4014486470062
		615135	1	AP1000652	4014486470154
		615139	1	AP1004894	4014486721980
		615146	1	AP1000781	4014486471922
		615147	1	AP1005148	4044978203502
		615151	1	AP1003556	4014486472615
		615159	1	AP1000755	4014486471557
		615168	1	AP1003822	4014486469967
		615170	1	AP1000622	4014486469660
		615173	1	AP1003516	4014486469677
		615179	1	AP1000669	4014486470376
		615184	1	AP1000745	4014486471410
		61533	1	AP1000698	4014486470802
		614214	1	AP1000238	4014486463422
		614218	1	AP1003418	4014486463705
		615147	1	AP1005148	4044978203502
		615147	1	AP1005148	4044978203502
		615162	1	AP1003991	4014486518665
		615163	1	AP1000622	4014486469660
		615165	1	AP1004936	4014486894790
		615165	1	AP1004936	4014486894790
		615167	1	AP1000675	4014486470475
		615169	1	AP1000619	4014486469592
		619082	1	AP1001614	4014486485448
		619091	1	AP1003337	4014486484847
		619096	1	AP1004528	4014486718331
		619190	1	AP1001505	4014486460209



COMIA LEFT



COMIA RIGHT



SAMPO

NR.	DRIVE	PART NUMBER	SET	AP NR.	EAN
		619054	1	AP1004099	4014486520606
		619062	1	AP1004867	4014486735079
		619065	1	AP1001633	4014486485783
		619070	1	no AP	
		619080	1	AP1001839	4014486488654
		619081	1	AP1001616	4014486485462
		619083	1	AP1001461	4014486459708
		619085	1	AP1003854	4014486486926
		619087	1	AP1004566	4014486717310
		619090	1	AP1001898	4014486489576
		619168	1	AP1003823	4014486460056
		619169	1	AP1001502	4014486460179
		619170	1	AP1004877	4014486735086
		619175	1	AP1004067	4014486518344
		619179	1	AP1001505	4014486460209
		619185	1	AP1004742	4014486720297
		619191	1	AP1003944	4014486460162
		619192	1	AP1003824	4014486459715
		R634644	1	AP1000339	4014486520217
		R634650A	1	AP1003821	4014486469721
		R634655	1	AP1005148	4044978203502
		R644247A	1	AP1000325	4014486465518
		R652307A	1	AP1000652	4014486470154
		R680791	1	AP1003823	4014486460056
		R680812B	1	AP1001898	4014486489576
		R694252A	1	AP1002304	4014486479928
		R694253	1	AP1000645	4014486470055
		R694254	1	AP1003834	4014486464146
		R694255A	1	AP1003495	4014486468588
		R694256	1	AP1000745	4014486471410
		R694263	1	AP1003841	4014486464139
		R694943	1	AP1003818	4014486478716
		R696665	1	AP1003822	4014486469967
		R698062	1	AP1003842	4014486464986
		R698063	1	AP1003839	4014486463538
		R700327	1	AP1003840	4014486463903
		R700328	1	AP1000235	4014486463361
		R701183	1	AP1003824	4014486459715
		R706495	1	AP1000257	4014486464047

COMIA					
2	REEL-DRIVE PICK UP, FRONT	614225	1	AP1003834	4014486464146
3	REEL-DRIVE PICK UP, REAR	615109	1	AP1003495	4014486468588
4	TABLE DRIVE	615184	1	AP1000745	4014486471410
5	TABLE DRIVE, ENGAGE MD	615124	1	AP1003821	4014486469721
5	TABLE DRIVE, ENGAGE TS	615182	1	AP1000702	4014486470857
6	THRESHING MECHANICAL ENGAGE	619090	1	AP1001898	4014486489576
7	FEEDER AUGER (DIA 450 MM.)	615135	1	AP1000652	4014486470154
7	GRAIN TANK UNLOADER	615135	1	AP1000652	4014486470154
10	CLEANING FAN VARIATOR	614215	1	AP1002304	4014486479928
11	KNIFE DRIVE	615168	1	AP1003822	4014486469967
13	FEEDER AUGER (DIA 385 MM.)	615128	1	AP1000645	4014486470055
14	STRAW CHOPPER DRIVE, FRONT	615147	1	AP1005148	4044978203502
16	RETURN AUGER BEVEL GEAR	614242	1	AP1000300	
17	STRAW CHOPPER DRIVE, REAR, STANDARD	615151	1	AP1003556	4014486472615
18	STRAW CHOPPER DRIVE, HIGH SPEED	619085	1	AP1003854	4014486486926
23	GRAIN ELEVATOR BEVEL GEAR	615139	1	AP1004894	4014486721980



SAMPO

NR.	DRIVE	PART NUMBER	SET	AP NR.	EAN
25	STRAW WALKER DRIVE	619062	1	AP1004867	4014486735079
26	SHAKER SHOE DRIVE	614150	1	AP1000339	
27	THRESHING CYLINDER (600 - 1300 RPM)	619192	1	AP1003824	4014486459715
29	ENGINE FAN DRIVE (OUTER)	614227	1	AP1000269	
30	ENGINE FAN DRIVE (INNER)	614242	1	AP1000300	
32	THRESHING CYLINDER (400 - 1150 RPM)	619191	1	AP1003944	4014486460162
33	PRE CYLINDER DRIVE	619077	1	AP1001571	4014486484748
SR 2010					
2	REEL DRIVE (FRONT)	614225	1	AP1003834	4014486464146
3	REEL DRIVE (REAR)	615109	1	AP1003495	4014486468588
4	CYLINDER DRIVE	619169	1	AP1001502	4014486460179
5	HYDROSTATIC PUMP DRIVE	619081	1	AP1001616	4014486485462
6	HYDRAULIC PUMP DRIVE (A 42)	613116	1	AP1000104	
7	FEEDER AUGER	615135	1	AP1000652	4014486470154
7	FEEDER AUGER	615128	1	AP1000645	4014486470055
8	TABLE DRIVE LEFT	615129	1	AP1000664	4014486470307
9	FAN DRIVE (LOWER)	614115	1	AP1000214	
10	FAN DRIVE (UPPER)	614215	1	AP1002304	4014486479928
11	THRESHING DRIVE	619065	1	AP1001633	4014486485783
12	AIR CONDITIONING COMPRESSOR DRIVE	613126	1	AP1002059	4014486475371
14	ELEVATOR DRIVE GRAIN	619062	1	AP1004867	4014486735079
16	TABLE CLEANING FAN (B79)	614227	2	AP1000269	
17	STRAW CHOPPER (REAR)	615159	1	AP1000755	4014486471557
18	STRAW CHOPPER (FRONT)	615170	1	AP1000622	4014486469660
19	STRAW WALKER DRIVE	614260	1	AP1000370	
20	SHAKER SHOE DRIVE	614246	1	AP1000313	
21	TABLE DRIVE RIGHT	615173	1	AP1003516	4014486469677
21	TABLE DRIVE RIGHT	615124	1	AP1003821	4014486469721
SR 2025					
2		614225	1	AP1003834	4014486464146
3		615109	1	AP1003495	4014486468588
4		615128	1	AP1000645	4014486470055
5		615179	1	AP1000669	4014486470376
6		615124	1	AP1003821	4014486469721
7		614150	1	AP1000339	
9		619054	1	AP1004099	4014486520606
10		619065	1	AP1001633	4014486485783
11		614136	1	AP1000275	
12		615146	1	AP1000781	4014486471922
14		615147	1	AP1005148	4044978203502
17		613116	1	AP1000104	
20		615116	1	AP1000575	4014486468847
23		619175	1	AP1004067	4014486518344
SR 2045 - SR 2060					
2		614225	1	AP1003834	4014486464146
3		615109	1	AP1003495	4014486468588
4		615128	1	AP1000645	4014486470055
5		615184	1	AP1000745	4014486471410
6		615124	1	AP1003821	4014486469721
7		619090	1	AP1001898	4014486489576
8		615135	1	AP1000652	4014486470154
9		613128	1	AP1000118	
10		615147	1	AP1005148	4044978203502
11		615151	1	AP1003556	4014486472615



STOLL

NR.	DRIVE	PART NUMBER	SET	AP NR.	EAN
		464580	1	AP1004237	4014486675726
		465620	1	AP1004201	4014486675511
		465930	1	AP1004240	4014486675757
		470590	1	AP1004241	4014486675764
		497480	1	AP1004238	4014486675733
		497540	1	AP1004204	4014486675528
		1592600	1	AP1004239	4014486675740
		0071480	1	AP1004228	4014486675634
		0204480	1	AP1004229	4014486675641
		0204510	1	AP1004234	4014486675696
		0401820	1	AP1004243	4014486675801
		0402980	1	AP1004236	4014486675719
		0425540	1	AP1000585	4014486469066
		0440800	1	AP1003552	4014486471991
		0441330	1	AP1004036	4014486518481
		0441770	2	AP1002121	4014486476231
		0441840	1	AP1004221	4014486675542
		0441860	1	AP1004248	4014486675931
		0443880	1	AP1000505	4014486467833
		0445510	1	AP1002148	4014486476637
		0451680	1	AP1005153	4044978203533
		0453850	1	AP1002117	4014486476170
		0455990	2	AP1000645	4014486470055
		0456660	1	AP1003680	4014486477061
		0457280	1	AP1002721	4014486476927
		0462560	1	AP1004235	4014486675702
		0462680	2	AP1004246	4014486675917
		0464590	2	AP1004222	4014486675566
		0465180	1	AP1002119	4014486476200
		0465510	2	AP1004219	4014486675559
		0465530	1	AP1000602	4014486469349
		0465850	1	AP1004218	4014486675535
		0465860	1	AP1000245	4014486463712
		0467010	1	AP1004227	4014486675627
		0467390	1	AP1004223	4014486675573
		0467640	1	AP1004225	4014486675597
		0469250	1	AP1004247	4014486675924
		0469800	2	AP1004244	4014486675894
		0469810	1	AP1004250	4014486675955
		0474850	2	AP1005132	4044978203342
		0476430	1	AP1000541	4014486468236
		0476440	1	AP1000632	4014486469851
		0479100	1	AP1004249	4014486675948
		0480490	2	AP1003392	4014486462678
		0488950	1	AP1004245	4014486675900
		0496030	3	AP1004231	4014486675665
		1361-2406	1	AP1003484	4014486468281
		1361-3202	1	AP1000263	4014486464191
		1361-3404	1	AP1000587	4014486469080
		1361-4101	1	AP1000272	4014486464429
		1361-4401	1	AP1000590	4014486520255
		1361-4402	1	AP1000591	4014486469172
		1361-4403	1	AP1000602	4014486469349
		1361-5202	1	AP1000300	4014486464979
		1361-5402	1	AP1000609	4014486469486
		1361-5404	1	AP1000624	4014486520262
		1361-5405	1	AP1000625	4014486469738



STOLL

NR.	DRIVE	PART NUMBER	SET	AP NR.	EAN
		1361-5501	1	AP1000940	4014486473933
		1361-5502	1	AP1000939	4014486473926
		1361-6102	1	AP1000335	4014486465754
		1361-6401	1	AP1000670	4014486470383
		1361-6402	1	AP1000643	4014486470031
		1361-6404	1	AP1000652	4014486470154
		1361-6405	1	AP1000659	4014486470239
		1361-6406	1	AP1000628	4014486469783
		1361-6407	1	AP1000633	4014486469868
		1361-6410	1	AP1000647	4014486470079
		1361-6501	1	AP1000946	4014486474015
		1361-7403	1	AP1000703	4014486470871
		1361-7502	1	AP1000949	4014486474046
		1361-8110	1	AP1000424	4014486466874
		1361-8300	1	AP1000819	4014486472455
		1361-8303	1	AP1000805	4014486472271
		1361-8304	1	AP1000807	4014486472301
		1361-8307	1	AP1000773	4014486471823
		1361-8308	1	AP1000777	4014486471878
		1361-8310	1	AP1000782	4014486471946
		1361-8311	1	AP1000779	4014486471915
		1361-8401	1	AP1000718	4014486471090
		1361-8403	1	AP1000706	4014486470925
		1361-8503	2	AP1004205	4014486675450
		1361-8505	1	AP1004203	4014486675443
		1361-8507	1	AP1004206	4014486675467
		1361-8508	1	AP1000967	4014486474268
		1361-8509	1	AP1000966	4014486474251
		1361-8511	1	AP1000975	4014486474350
		1361-8512	1	AP1000976	4014486474367
		1361-9601	1	AP1000894	4014486473360
		1361-9605	1	AP1000921	4014486473704
		1361-9608	1	AP1000932	4014486473834
		1361-9614	1	AP1003565	4014486473599
		1361-9615	1	AP1001034	4014486496338
		1361-9618	1	AP1000974	4014486474343
		1361-9703	1	AP1002127	4014486476309
		1361-9706	1	AP1002169	4014486477016
		1361-9707	1	AP1002148	4014486476637
		1361-9709	1	AP1002170	4014486477030
		1361-9715	1	AP1004216	4014486675870
		1361-9718	1	AP1004215	4014486675863
		1361-9733	1	AP1002364	4014486478983
		1361-9737	1	AP1002185	4014486477290
		1361-9804	1	AP1002126	4014486476286
		1361-9805	1	AP1002122	4014486476248
		1361-9901	1	AP1002217	4014486477702
		1361-9906	1	AP1003316	4014486477900
		1361-9908	1	AP1002224	4014486477818
		1362-1001	5	AP1003048	4014486478556
		1362-1002	5	AP1003050	4014486519211
		1362-1003	4	AP1003678	4014486476750
		1362-1004	3	AP1002134	4014486476446
		1362-1005	4	AP1002326	4014486478549
		1362-1006	4	AP1001285	4014486480283
		1362-1007	4	AP1003049	4014486478600
		1362-1008	2	AP1000219	4014486462814

PART NUMBER

PART NUMBER	OPTIBELT AP
AGCO	
6900	AP1002580
10487	AP1001350
56325	AP1000577
270412	AP1001799
270791	AP1001817
290331	AP1001051
400875	no AP
432244	AP1000224
432433	AP1003536
433128	AP1003368
433417	AP1003272
433435	AP1000702
433440	AP1000724
433442	AP1000755
433531	AP1000950
433537	AP1000959
434140	AP1000999
435125	AP1001174
435127	AP1001175
526155	AP1001953
526369	AP1004415
526370	AP1004415
527975	AP1001959
527976	AP1002752
703899	AP1001461
761757	AP1000306
765173	AP1001588
765174	AP1001597
855007	AP1000740
855122	AP1001185
855650	AP1005134
855718	AP1001281
855791	AP1000817
856047	AP1001824
856112	AP1001011
856401	AP1000646
856641	AP1000628
857219	AP1000703
1141641	AP1001865
1710292	AP1001282
4311315	AP1001975
4311316	AP1001976
6153386	AP1004633
6153715	AP1004547
6153723	AP1004632
6154285	AP1004600
6154998	AP1001719
6159053	AP1001768
6801631	AP1004791
7855331	AP1000649
7855349	AP1001609
7855810	AP1001878
26732797	AP1002193
26732815	AP1001902
26732820	AP1001749
26732833	AP1000794
26732883	AP1001865

PART NUMBER	OPTIBELT AP
26733247	AP1003410
26733248	AP1000343
26733312	AP1001223
26733578	AP1002759
26733588	AP1000328
26733596	AP1002763
26735939	AP1001637
26746958	AP1002852
26746970	AP1000350
26746971	AP1000434
26746972	AP1000825
26746973	AP1002028
26746995	AP1001863
26746996	AP1001075
26746997	AP1001074
26746998	AP1001541
26749057	AP1001269
28263409	AP1004859
28284841	AP1000764
41900000	AP1000037
41903400	AP1000092
41903700	AP1002582
41903800	AP1003722
41904200	AP1003706
41904300	AP1002534
41905600	AP1000116
41907500	AP1000128
41907800	AP1000134
41910400	AP1000141
41916800	AP1000181
41921700	AP1002369
41924700	AP1000211
41925200	AP1000211
41926500	AP1000235
41928400	AP1000243
41929400	AP1000252
41930600	AP1000262
41931100	AP1000287
41931600	AP1000272
41933400	AP1000298
41933900	AP1000298
41936300	AP1000321
41936500	AP1000331
41936800	AP1000330
41938000	AP1000346
41941100	AP1000392
41941900	AP1000351
41943600	AP1000414
41944700	AP1004840
41951700	AP1000548
41953300	AP1000596
41954300	AP1000664
41955500	AP1000709
41956500	AP1000779
41957500	AP1004120
41958600	AP1000860
41963800	AP1000241
41965100	AP1003431
41973000	AP1001356

PART NUMBER	OPTIBELT AP
41976200	AP1001359
41977600	AP1001726
41977700	AP1003612
41977800	AP1003347
41977900	AP1001728
41978300	AP1001250
41978600	AP1001365
41978700	AP1001732
41981400	AP1001437
41981500	AP1001538
41982000	AP1002860
41982300	AP1002862
41982600	AP1000669
41983200	AP1000809
41983300	AP1002863
41984900	AP1002864
41985400	AP1000839
41985700	AP1000694
41985900	AP1000648
41987400	AP1000866
41987500	AP1000874
41988600	AP1000900
41989000	AP1000910
41989800	AP1000905
41990011	AP1002362
41990012	AP1002328
41990013	AP1003730
41990014	AP1002335
41990019	AP1002359
41990020	AP1002324
41990021	AP1002339
41990022	AP1002338
41990026	AP1002361
41990037	AP1003565
41990045	AP1003659
41990047	AP1001677
41990048	AP1001722
41990049	AP1001675
41990053	AP1001874
41990054	AP1001812
41990055	AP1001816
41990056	AP1003658
41990058	AP1001945
41990060	AP1001254
41990061	AP1001946
41990062	AP1004092
41990063	AP1001815
41990065	AP1001992
41990700	AP1002571
41990800	AP1002575
41991100	AP1002355
41992000	AP1001621
41992300	AP1001614
41993800	AP1001951
41994500	AP1002001
41995000	AP1002070
41997500	AP1002185
41997900	no AP
41999100	AP1002345

PART NUMBER



PART NUMBER	OPTIBELT AP
45055100	AP1002051
46301055	AP1002268
46301057	AP1002556
46488200	AP1001046
49906200	AP1002056
70260149	AP1002604
70267630	AP1002987
70268485	AP1002559
70273193	AP1002740
71132108	AP1001093
71135618	AP1001395
71139963	AP1001447
71140808	AP1004745
71146271	AP1003607
71147547	AP1001568
71157414	AP1001490
71161595	AP1001605
71161596	AP1001623
71164177	AP1001640
71164350	AP1001498
71165927	no AP
71167114	AP1001521
71167409	AP1001661
71170490	AP1001475
71175575	AP1001585
71175687	AP1002586
71175989	AP1001613
71176492	AP1000253
71177537	AP1001856
71187728	AP1001386
71187779	AP1000577
71193749	AP1002556
71197876	AP1001500
71197999	AP1003636
71300867	AP1000800
71300996	AP1001495
71302482	AP1002554
71309140	AP1001558
71309150	AP1000391
71309685	AP1001057
71310380	AP1001387
71310381	AP1003300
71310382	AP1001638
71313804	AP1000280
71317254	AP1002593
71320449	AP1005140
71322828	AP1000705
71322834	AP1000691
71324690	AP1000683
71325150	AP1002775
71335475	AP1000790
71335788	no AP
71339886	AP1000593
71347560	AP1000422
71347561	AP1000353
71348989	AP1002035
71348999	AP1001921
71355170	AP1000420
71355232	AP1001660

PART NUMBER	OPTIBELT AP
71356409	AP1000639
71358255	AP1001653
71359598	AP1000699
71363802	AP1001876
71364077	AP1001052
71364155	AP1000783
71364514	AP1000396
71364922	AP1000588
71366207	AP1001918
71367459	AP1001384
71367469	AP1001601
71368135	AP1002030
71368809	no AP
71370214	AP1002034
71370279	AP1004077
71374276	AP1001861
71374305	no AP
71374306	AP1001390
71376238	no AP
71377787	AP1001775
71380485	AP1001923
71386695	AP1001389
71390209	AP1003358
71390561	AP1003717
71390885	no AP
71390886	no AP
71398366	AP1000588
71399514	no AP
71399562	AP1001876
71418976	AP1003716
71419304	AP1005065
71419306	AP1005066
71419328	AP1005167
71427254	AP1004476
71427343	AP1004625
71430816	AP1004590
71432619	AP1005073
71434213	no AP
71435200	AP1005161
71440983	no AP
71440993	AP1004560
71440999	AP1004515
71441879	AP1004582
71441902	AP1004558
71442230	AP1005086
71442255	AP1001656
71444986	AP1003718
71447313	no AP
71447314	AP1004482
71447401	AP1004525
71448482	AP1004047
71448483	AP1001389
71448503	AP1004919
71448508	AP1001769
71448515	AP1004599
71449576	AP1004527
71462784	AP1004521
71462787	AP1003888
71464666	AP1004501

PART NUMBER	OPTIBELT AP
71486240	AP1004077
72501439	AP1003730
84175580	AP1004042
87041732	AP1004060
87583785	AP1003979
87663510	AP1005308
87663600	AP1005307
201108473	AP1002321
201108520	AP1003503
340433045	AP1002460
340433109	AP1000087
340433119	AP1000095
340433237	AP1002758
340433238	AP1000210
340433240	AP1000212
340433242	AP1000213
340433251	AP1004883
340433257	AP1002779
340433476	AP1000583
340433477	AP1003469
340433988	AP1003855
340435126	AP1001474
340435156	AP1004070
344311234	AP1003849
344311235	AP1003850
344311237	AP1003853
344311311	AP1003918
344311313	AP1003919
344311322	AP1002015
344312129	AP1003851
684101000	AP1002453
684101025	AP1002455
684101050	AP1002456
684101100	AP1002459
684101125	AP1002460
684101150	AP1002462
684101175	AP1002465
684101225	AP1002471
684101238	AP1004876
684101350	AP1002483
684120825	AP1002507
684120875	AP1002512
684120900	AP1002514
684120918	AP1002415
684120925	AP1002515
684120950	AP1004851
684120975	AP1002520
684120992	AP1002521
684121050	AP1002529
684121075	AP1002532
684121100	AP1002534
684121125	AP1002537
684121200	AP1002547
684121225	AP1002549
684121250	AP1002551
684121275	AP1002554
684121300	AP1002556
684121325	AP1002558
684121350	AP1002560

PART NUMBER

PART NUMBER	OPTIBELT AP
684121375	AP1002562
684121400	AP1003730
684121450	AP1002575
684121475	AP1002579
684121500	AP1002582
684121525	AP1002584
684121550	AP1002586
684121575	AP1002588
684121600	AP1002589
684121625	AP1002593
684121650	AP1003746
684121675	AP1002594
685061555	AP1004861
685061675	AP1005150
685061725	AP1002634
685061740	AP1002635
685061755	no AP
685081290	AP1004869
685081315	AP1003120
685081660	AP1003158
685081680	AP1002652
685081710	AP1003163
685081730	AP1002656
685081745	AP1003788
685081785	no AP
685081800	AP1003172
685081850	AP1003177
685081895	AP1002661
685081920	AP1003186
685082300	AP1003217
685102194	AP1004317
685121370	AP1004339
685121530	AP1003067
685121555	AP1004341
685121570	AP1003069
685121610	AP1004343
685121725	AP1003074
685121765	AP1004344
685121845	AP1004345
685121860	AP1004829
685121880	AP1004829
685121905	AP1004687
685121945	AP1002613
685121965	AP1004347
685122020	AP1004348
685122140	AP1003954
685141585	AP1004390
700705430	AP1001283
700705503	AP1001284
700705773	AP1003401
700708547	AP1003158
700711852	AP1001671
700714423	AP1000694
700715554	AP1003788
700717275	no AP
700719205	AP1004852
700719689	AP1004359
700721267	AP1004601
836007765	AP1000201

PART NUMBER	OPTIBELT AP
3443111171	AP1003592
3443111278	AP1001637
228999M1	AP1000251
320593M2	AP1001361
320623M2	AP1000296
321034M3	AP1004428
322768M1	AP1000538
402177M1	AP1003399
402603M1	AP1000350
405928M1	AP1003462
410647M1	AP1001363
411020M1	AP1003384
411218M1	AP1001065
412333M1	AP1003574
418209M1	AP1003492
511275M1	AP1000150
515382M1	AP1001023
515383M1	AP1001024
523735M1	AP1000146
603719M1	AP1001406
624728M1	AP1000031
832790M3	AP1001444
832866M2	AP1000826
843302M1	AP1003557
843324M1	AP1000804
903594M2	AP1003392
905982M1	AP1001479
916801M2	AP1000641
916854M1	AP1000385
962666M1	AP1002467
1604055M2	AP1003484
1604401M1	AP1000370
1615962M1	AP1000759
1686837M1	no AP
1720674M2	AP1000220
1730367M1	AP1000877
1731014M1	AP1000668
3021251M1	AP1000142
3036551M1	AP1001880
3049010M91	no AP
3101337M1	AP1003431
3170530M1	AP1000841
3170531M1	AP1000797
3172001M1	AP1000827
3371438M1	no AP
3371643M1	no AP
3373171M2	AP1003505
3380422M1	no AP
3387555M1	no AP
3714575M1	no AP
3778297M1	no AP
3780607M91	AP1002567
4273269M1	AP1002627
4275185M91	AP1002525
4282444M1	AP1004195
6296417M1	AP1005311
0000055574	AP1003516
0000056325	AP1000577
0000290331	AP1001051

PART NUMBER	OPTIBELT AP
0000400875	no AP
0000765173	AP1001588
0000765174	AP1001597
0000855007	AP1000740
0000855791	AP1000817
0000856401	AP1000646
856641	AP1000628
0000857219	AP1000703
0006902	AP1002549
0006906	AP1002558
0006907	AP1002559
0007855331	AP1000649
0007855349	AP1001609
0007855356	AP1000230
021077T1	AP1002598
021078T1	AP1002598
026160T1	AP1002582
026161T1	AP1002582
034699T1	AP1002595
034948T1	AP1002595
038355T1	AP1000080
039363T1	AP1005315
039631T1	AP1003920
048392T1	AP1000695
049798T1	AP1002550
053640T1	AP1001510
053650T1	AP1002488
053928T1	AP1000652
054269T1	AP1002971
054315T1	AP1002487
054607T1	AP1002534
0554093.0	AP1004100
055574	AP1003516
056148T1	AP1002464
056149T1	AP1002582
056150T1	AP1002444
058147P1	AP1000098
059105T1	AP1001996
059106T1	AP1001499
059169R1	AP1002518
06154847	AP1000108
06155819	AP1000654
063211T1	AP1001571
063212T1	AP1001621
064441T1	AP1001467
065188T1	AP1001620
068154T1	AP1001629
068918T1	AP1001620
069361T1	AP1003589
069362T1	AP1004888
069998T1	AP1002492
069999T1	AP1002494
070460T1	AP1002492
070461T1	AP1002494
072727T1	AP1002560
1036940M1	AP1000876
105654W1	AP1002005
112366410100	AP1005144
117029010800	AP1000118

PART NUMBER



PART NUMBER	OPTIBELT AP
117512519500	AP1001765
117518511200	AP1000726
117537513500	AP1005316
650203041010	AP1005282
650203041120	AP1005283
650623030552	AP1005257
652200040070	AP1005228
653201042090	AP1002778
653620031100	AP1001292
653620031110	AP1005262
880022156280	AP1000900
1175-105-150.00	AP1001544
117510515000	AP1001544
1447317M1	AP1002562
1447784M91	AP1002546
1482511M2	AP1002558
1483880M1	AP1000540
1483881M1	AP1000609
1483882M1	AP1003489
1604464M1	AP1002056
1614629M91	AP1002593
1615962M1	AP1000759
1616714M1	AP1001485
1616715M1	AP1001460
1617332M1	AP1003366
1621182M1	AP1002265
1628951M1	AP1000783
1630361M1	AP1002462
1641945M1	AP1000189
1669923M1	AP1003730
1671988M1	AP1001179
1695146M1	AP1002571
1700120M1	AP1000034
1715558M91	AP1000183
1718508M91	AP1000143
1730033M91	AP1002596
1730034M91	AP1002593
1730366M1	AP1000872
1730687M1	AP1003552
1730781M1	AP1003554
1730782M1	AP1000771
1730976M1	AP1000842
1731015M1	AP1000708
1731023M1	AP1000722
1810378M91	AP1000534
1810382M91	AP1002780
1810543M91	AP1004036
186976M1	AP1002551
1876670M1	AP1002556
195672M1	AP1000633
197-6290	AP1004389
197-6291	AP1004388
197-6292	AP1004387
200432M1	AP1000636
207-2949	AP1001337
218560M91	AP1003873
226981M1	AP1001473
230356M4	no AP
233213M1	no AP

PART NUMBER	OPTIBELT AP
238887M2	no AP
240447M3	no AP
2833904M3	AP1005162
2833904M4	AP1005162
3019084M91	AP1002575
3021192M1	AP1000145
3021313M3	AP1000128
3035568M2	AP1001058
3035569M1	AP1001055
3036278M1	AP1002050
3041017M1	AP1002520
3042011M1	AP1002310
3042012M1	AP1002302
3049776M1	AP1000563
3050742M1	AP1000649
3052209M1	AP1002582
3098211M2	AP1004188
3098212M2	AP1003595
3106033M1	AP1002061
31-1730870	AP1001119
3145135M91	AP1002584
3148053M91	AP1002961
3173304M1	AP1000822
3175109M1	AP1000771
3175160M1	AP1000844
3193693M2	AP1002265
3226971M2	AP1001510
3315897M1	AP1000194
3316647M1	AP1000709
3371438M1	no AP
3371692M1	AP1000344
3371800M2	AP1001465
3372217M1	AP1002049
3383045M1	AP1002484
3383691F1	AP1002526
3386191M1	AP1002579
3389542M91	AP1002588
3435748M1	AP1002537
3465729M1	AP1000404
3538921M1	AP1000120
3581286M1	AP1002588
3581635M1	AP1002529
3582951M1	AP1002537
3582954M1	AP1002586
3587700M1	AP1004720
3587701M91	AP1004720
3590943M1	AP1000220
3590944M1	AP1000223
3616513M1	AP1002584
3617176M91	AP1002958
3617178M91	AP1002916
3617183M1	AP1002589
3619085M1	AP1002575
3619357M1	AP1002921
3619358M91	AP1002567
3637597M1	AP1002548
3637598M91	AP1002554
3637978M91	AP1002550
3648900M1	AP1002339

PART NUMBER	OPTIBELT AP
3656765M1	AP1002354
3700656M1	AP1002329
3700658M91	AP1002462
3712532M1	AP1002532
3761507M91	AP1002465
3777379M91	AP1002958
3777682M1	AP1002556
3777748M1	AP1004851
3778975M2	AP1004851
3780139M1	AP1002565
3780140M1	AP1002567
3780141M1	AP1002571
3780609M1	AP1002555
3780610M1	AP1002556
3780611M1	AP1002556
3780612M1	AP1002567
3780613M1	AP1002565
3780614M1	AP1002575
3780617M1	AP1002559
3780645M91	AP1002567
3780908M91	AP1002969
3920203M1	AP1002340
3920562M	AP1001276
3920712M	AP1002289
406562M1	AP1000869
406681M1	AP1000836
407189M91	AP1002071
407218M1	AP1002241
407692M1	AP1000328
410215M1	no AP
410617M1	no AP
410919M1	AP1000661
410957M1	AP1003492
410958M1	AP1000552
411218M1	AP1001065
41990007X	AP1004764
4288688M1	AP1004687
4293007M2	AP1004350
489734M2	AP1002560
500251D1	AP1002668
500252D1	AP1003945
511277M3	AP1000111
5115483M1	AP1002529
514806M1	AP1000094
518125M2	AP1000099
523733M1	AP1000095
530669M1	AP1000096
530756M1	AP1000147
531316M1	AP1002089
583824M1	AP1001354
584850M1	AP1000223
600P02	AP1004032
604735M1	no AP
604964M1	AP1000223
605638M91	AP1002780
6200242M1	AP1000590
6200432M1	AP1001484
6201516M1	AP1001770
6201932M1	AP1002567

PART NUMBER

PART NUMBER	OPTIBELT AP
6202555M1	AP1001815
6202933M1	AP1002016
6203462M2	AP1003923
6203660M1	AP1000587
6203678M1	AP1004467
6203764M1	AP1001611
6209374M1	AP1001638
6209375M1	AP1000350
6210650M1	AP1003495
6210826M1	AP1001632
6210914M1	AP1001719
6210914M2	AP1005318
6211072M1	AP1001773
6211078M1	AP1000329
6211079M1	AP1001189
6211081M1	AP1001600
6211082M1	AP1003664
6211083M1	AP1001139
6211250M1	AP1000726
6211508M1	AP1003924
6212014M1	AP1003925
6212790M1	AP1000693
621320M2	AP1001486
621321M2	AP1001482
6213293M2	AP1004492
621646M1	AP1001471
6216726M1	AP1000731
6216981M1	AP1002548
6217825M1	AP1004904
6217950M1	AP1002496
6217977M1	AP1000676
6218984M1	AP1002004
6219167M1	AP1001778
6219396M1	AP1001545
6219408M1	AP1004627
6219414M1	AP1003663
6219415M1	AP1001139
6220518M1	AP1004562
6220817M1	AP1004491
6220987M1	AP1003503
6223463M1	no AP
6227303M1	AP1004559
6228951M1	no AP
6228952M1	no AP
6230012M1	AP1001544
6230019M1	AP1004734
6230739M1	AP1000685
6230741M1	AP1001616
6230869M1	AP1004733
6230964M1	AP1005137
623098M1	AP1000187
6231546M1	AP1004199
6231547M1	AP1001741
6231843M1	AP1000650
6232489M1	AP1001613
6232589M1	AP1004621
623537M1	AP1000032
6235815M1	AP1003926
6235825M1	AP1003927

PART NUMBER	OPTIBELT AP
6236823M1	AP1002526
6236843M1	no AP
6237294M1	AP1004561
6237300M1	AP1004297
6237301M1	AP1004281
6239971M1	AP1000560
6240108M1	no AP
6247683M1	AP1001565
6247684M1	AP1005256
6248647M1	AP1004493
6262408M1	no AP
6263504M1	AP1000211
6266289M1	AP1004489
6266447M1	AP1003505
6268248M1	no AP
6268436M1	AP1001672
6268461M1	no AP
6268912M1	AP1004490
6272560M1	AP1004859
6272565M1	no AP
6273869M1	AP1003835
6275380M1	AP1004740
6275381M1	AP1004741
6284282M1	AP1000596
6289542M1	AP1003849
6289543M1	AP1003878
6289544M1	AP1001651
6289545M1	AP1003347
629004M1	AP1000488
6290138M1	AP1000100
6290856M1	AP1001638
6294242M1	AP1001679
6296417M1	AP1005311
6298212M1	AP1005037
6298761M1	AP1001632
6298767M1	AP1001606
6301511M1	AP1005312
6302960M2	AP1001603
6302961M2	AP1005303
6302962M2	AP1005212
6303174M1	AP1001654
6303185M1	AP1001830
6307675M1	AP1005242
6310564M1	AP1003384
6313477M1	AP1005076
636208M1	AP1000490
636276M1	AP1000491
641696M1	AP1003383
650.203.040.010	AP1004801
650.623.030.550	AP1004651
650203010870	AP1003143
650203040010	AP1004801
650623030550	AP1004651
650633020010	AP1004678
6627918	AP1004792
669452M91	AP1002783
685121905	AP1004687
7059995M1	AP1005253
7104225M1	AP1005231

PART NUMBER	OPTIBELT AP
7109573M1	AP1005160
71390199	AP1003933
71396754	AP1004364
71426450	AP1004501
71432802	AP1001664
71444306	AP1001657
71444986	AP1003718
782835M1	AP1001470
783539M1	AP1001481
783907M2	AP1000235
784789M2	AP1000643
787237M1	AP1000630
832882M1	AP1000323
833857M3	AP1001476
833857M5	AP1001476
833858M5	no AP
833865M2	AP1001973
833874M2	AP1001848
834061M1	AP1002423
834110M1	AP1001480
834174M1	AP1001462
842413M2	AP1000227
843810M1	AP1001184
84416 M1	AP1000121
87041732C	AP1004060
901855M1	AP1000574
906424M1	AP1002584
916201040200	AP1004340
916799M1	AP1000585
916800M2	AP1000775
960972M1	AP1002051
969186M1	AP1002047
ACW0364900	AP1003918
ACW0365210	AP1005251
ACW0365430	AP1003919
ACW0365950	AP1005252
ACW0368450	AP1005149
ACW0396390	AP1005309
ACW0529010	AP1002614
ACW0549830	AP1005288
ACW0549950	AP1005287
ACW0569260	AP1005310
ACW0669080	AP1005319
ACW1699410	AP1001648
ACW1699420	AP1005317
ACW2278990	AP1003604
ACW2514080	AP1005304
ACW2801190	AP1005314
ACW3156760	AP1005306
AG516558	AP1000984
AG516559	no AP
AG516861	AP1000983
AG517279	AP1000985
D41910400	AP1000141
D41921801	AP1004180
D41944700	AP1004840
D41978600	AP1001365
D41981400	AP1001437
D41985900	AP1000648

PART NUMBER



PART NUMBER	OPTIBELT AP
D41990014	AP1002335
D41997900	no AP
E040T07	AP1004021
F524200040160	AP1002694
F716200040020	AP1003163
F718202040010	AP1003172
F731200040090	AP1005274
GR17880810	AP1001025
LA340433238	AP1000210
LA340433242	AP1000213
LA344311322	AP1002015
V33099800	AP1004824
V33279300	AP1002558
V33279600	AP1002537
V35354900	AP1004607
V35380300	AP1002345
V684101000	AP1002453
V684101025	AP1002455
V684101050	AP1002456
V684101100	AP1002459
V684101125	AP1002460
V684101150	AP1002462
V684101175	AP1002465
V684101225	AP1002471
V684101238	AP1004876
V684101350	AP1002483
V684120825	AP1002507
V684120875	AP1002512
V684120900	AP1002514
V684120918	AP1002415
V684120925	AP1002515
V684120950	AP1004851
V684120975	AP1002520
V684120992	AP1002521
V684121050	AP1002529
V684121075	AP1002532
V684121100	AP1002534
V684121125	AP1002537
V684121200	AP1002547
V684121225	AP1002549
V684121250	AP1002551
V684121275	AP1002554
V684121550	AP1002586
V684121575	AP1002588
V684121600	AP1002589
V684121625	AP1002593
V684121650	AP1003746
V684121675	AP1002594
V685061555	AP1004861
V685061675	AP1005150
V685061725	AP1002634
V685061740	AP1002635
V685061755	no AP
V685081290	AP1004869
V685081315	AP1003120
V685081660	AP1003158
V685081680	AP1002652
V685081710	AP1003163
V685081745	AP1003788

PART NUMBER	OPTIBELT AP
V685081785	no AP
V685081800	AP1003172
V685081850	AP1003177
V685081895	AP1002661
V685081920	AP1003186
V685082300	AP1003217
V685102194	AP1004317
V685121370	AP1004339
V685121530	AP1003067
V685121555	AP1004341
V685121570	AP1003069
V685121610	AP1004343
V685121725	AP1003074
V685121765	AP1004344
V685121845	AP1004345
V685121860	AP1004829
V685121880	AP1004829
V685121905	AP1004687
V685121945	AP1002613
V685121965	AP1004347
V685122020	AP1004348
V685122140	AP1003954
V685141585	AP1004390
V836007765	AP1000201
WR10487	AP1001350
X696.519.400.000	AP1003366
X696.610.600.000	AP1000004
X696.611.312.000	AP1002447
X696.611.611.000	AP1002440
X696.612.000.000	AP1002484
X696.612.200.000	AP1002477
X696.612.313.000	AP1005041
X696.612.400.000	AP1002482
X696.612.500.000	AP1002442
X696.612.600.000	AP1002479
X696.612.602.000	AP1002479
X696.612.811.000	AP1002444
X696.612.913.000	AP1002445
X696.613.101.000	AP1002447
X696.613.308.000	AP1002448
X696.613.501.000	AP1002474
X696.613.600.000	AP1000012
X696.613.801.000	AP1002450
X696.613.901.000	AP1002469
X696.614.513.000	AP1002455
X696.614.601.000	AP1002456
X696.614.700.000	AP1002459
X696.614.802.000	AP1002421
X696.614.913.000	AP1002462
X696.615.002.000	AP1002465
X696.615.000.000	AP1002468
X696.615.301.000	AP1002483
X696.615.401.000	AP1002471
X696.615.408.000	AP1002471
X696.615.600.000	AP1002475
X696.615.601.000	AP1002475
X696.615.704.000	AP1002488
X696.616.000.000	AP1002472
X696.616.102.000	AP1002441

PART NUMBER	OPTIBELT AP
X696.616.201.000	AP1002933
X696.616.300.000	AP1002443
X696.616.600.000	AP1002488
X696.616.702.000	AP1002492
X696.616.702.010	AP1002492
X696.616.800.000	AP1002485
X696.616.913.000	AP1002474
X696.617.701.000	AP1002429
X696.617.800.000	AP1002451
X696.617.900.000	AP1002473
X696.618.200.000	AP1002507
X696.619.200.000	AP1002534
X696.619.413.000	AP1000060
X696.622.000.000	AP1000086
X696.622.700.000	AP1003698
X696.622.800.000	AP1003698
X696.622.900.000	AP1002505
X696.623.000.000	AP1002511
X696.623.200.000	AP1002514
X696.623.300.000	AP1002415
X696.623.400.000	AP1002520
X696.623.600.000	AP1002529
X696.623.700.000	AP1002537
X696.623.800.000	AP1002539
X696.623.900.000	AP1002543
X696.624.100.000	AP1002528
X696.624.200.000	AP1002547
X696.624.300.000	AP1002541
X696.624.400.000	AP1002549
X696.624.500.000	AP1002552
X696.624.800.000	AP1002561
X696.629.509.000	AP1000991
X696.631.009.000	AP1000993
X696.631.409.000	AP1000994
X696.631.609.000	AP1000995
X696.633.500.000	AP1000996
X696.633.800.000	AP1000209
X696.635.400.000	AP1000997
X696.635.500.000	AP1003397
X696.640.500.000	AP1002501
X696.640.600.000	AP1002502
X696.642.000.000	AP1003730
X696.989.501.000	AP1001131
X696519400000	AP1003366
X696610600000	AP1000004
X696611611000	AP1002440
X696612000000	AP1002484
X696612313000	AP1005041
X696612400000	AP1002482
X696612500000	AP1002442
X696612600000	AP1002479
X696612602000	AP1002479
X696612811000	AP1002444
X696613101000	AP1002447
X696613308000	AP1002448
X696613501000	AP1002474
X696613600000	AP1000012
X696613801000	AP1002450
X696613901000	AP1002469

PART NUMBER

PART NUMBER	OPTIBELT AP
X696614513000	AP1002455
X696614601000	AP1002456
X696614700000	AP1002459
X696614802000	AP1002421
X696615002000	AP1002465
X696615200000	AP1002468
X696615301000	AP1002483
X696615401000	AP1002471
X696615408000	AP1002471
X696615600000	AP1002475
X696615601000	AP1002475
X696615704000	AP1002488
X696616000000	AP1002472
X696616102000	AP1002441
X696616201000	AP1002933
X696616300000	AP1002443
X696616600000	AP1002488
X696616702000	AP1002492
X696616800000	AP1002485
X696617800000	AP1002451
X696617900000	AP1002473
X696618200000	AP1002507
X696619200000	AP1002534
X696619413000	AP1000060
X696622000000	AP1000086
X696622700000	AP1003698
X696622800000	AP1003698
X696622900000	AP1002505
X696623000000	AP1002511
X696623200000	AP1002514
X696623300000	AP1002415
X696623400000	AP1002520
X696623600000	AP1002529
X696623700000	AP1002537
X696623800000	AP1002539
X696623900000	AP1002543
X696624100000	AP1002528
X696624200000	AP1002547
X696624300000	AP1002541
X696624400000	AP1002549
X696624500000	AP1002552
X696624800000	AP1002561
X696629509000	AP1000991
X696631009000	AP1000993
X696631409000	AP1000994
X696631609000	AP1000995
X696633500000	AP1000996
X696633800000	AP1000209
X696635400000	AP1000997
X696635500000	AP1003397
X696640500000	AP1002501
X696640600000	AP1002502
X697.170.100.000	AP1001040
X697.171.900.000	AP1001048
X697.171.901.000	AP1001047
X697.172.100.000	AP1001049
X697.173.600.000	AP1002631
X697.174.000.000	AP1004337
X697170100000	AP1001040

PART NUMBER	OPTIBELT AP
X697171900000	AP1001048
X697171901000	AP1001047
X697172100000	AP1001049
X697173600000	AP1002631
XP12472	AP1000763
340433474	AP1000789
LA340433474	AP1000789
6215259	AP1002016
26746968	AP1004837
01145049	AP1004837
038357T1	AP1000161
BISO	
460189	AP1004083
41981500	AP1001538
84021591	AP1004053
84058338	AP1004054
84449765	AP1004043
87311867	AP1004046
87317063	AP1004047
87330894	AP1003602
87629601	AP1004050
87629602	AP1004051
9351007700	AP1005147
0554099.1	AP1004073
10VX00	AP1000801
10VX00A	AP1004024
10VX00B	AP1004023
18 PJ 1244	AP1004104
600A02	AP1005144
600A02B	AP1005144
600A03	AP1003999
600A07	AP1000769
600A09	AP1000602
600A14	AP1000575
600A16	AP1005148
600A17	AP1000615
600A750	AP1000808
600J02	AP1003984
600J03	AP1003985
600J07	AP1000674
600J20	AP1000756
600J22	AP1000725
600J31	AP1003986
600P01	AP1003392
600P03	AP1003384
600P04	AP1004033
600P06	AP1000196
600P12	AP1003385
600P90	AP1004034
9351.0013.00	AP1000628
9351.0046.00	AP1000730
9351.0053.00	AP1000738
9351.0077.00	AP1005147
9351.0082.00	AP1000798
9351.0084.00	AP1003987
9351.0092.00	AP1000815
9351.0108.00	AP1000836
9351.0128.00	AP1003688

PART NUMBER	OPTIBELT AP
9351.0132.00	AP1003312
9351.0136.00	AP1002241
9351.0148.00	AP1004029
9351.0150.00	AP1002247
9351.0154.00	AP1002251
9351.0183.00	AP1003326
9351.0190.00	AP1001690
9351.0193.00	AP1001692
9351.0196.00	AP1004012
9351.0234.00	AP1000278
9351.0286.00	AP1003617
9351.0287.00	AP1001657
9351.0102.00	AP1003989
9351.0204.00	AP1003618
990601371026	AP1000735
990602570005	AP1004031
990606582526	AP1001714
E020T11	AP1001662
E020T13	AP1004013
E020T14	AP1001631
E020T15	AP1003888
E020T16	AP1001634
T040H01	AP1004006
BIZON	
84021588	AP1000083
84026042	AP1001621
84995734	AP1002525
84996133	AP1001657
9818873	AP1003662
89818873	AP1003662
825117	AP1004147
9515076	AP1001416
89515076	AP1001416
9515075	AP1001428
89515075	AP1001428
51101131525	AP1000123
51103173220	AP1001861
51103173062	AP1003637
51101172438	AP1000301
51104173940	AP1003666
51104172270	AP1001952
51103172120	AP1001811
51101622375	AP1001545
51101171750	AP1003418
51101132800	AP1000158
51101321750	AP1001413
51101131570	AP1000126
51101171335	AP1000218
51101171375	AP1000221
51101171981	AP1000264
51101222525	AP1000628
51101255970	AP1000930
51102173550	AP1001651
51103172380	AP1001827
51103172650	AP1001840
51651222360	AP1000615
1374-310-409	AP1001840
613116	AP1000104

PART NUMBER



PART NUMBER	OPTIBELT AP
614136	AP1000275
614150	AP1000339
614152	AP1000343
614152	AP1000343
614225	AP1003834
615109	AP1003495
615116	AP1000575
615124	AP1003821
615128	AP1000645
615146	AP1000781
615147	AP1005148
615179	AP1000669
619170	AP1004877
CASE INTL. HARVESTER	
452864R1	AP1003484
191305C1	AP1000654
59969C91	AP1002589
178019C1	AP1000625
589622R1	AP1000421
Z20459	AP1003583
Z20562	AP1000753
Z21254	AP1000116
Z21400	AP1000563
Z21500	AP1001103
Z21501	AP1001102
Z22648	no AP
P40058	AP1001493
Z20703	AP1003534
Z20743	AP1003505
Z22208	AP1002554
214522C1	AP1004125
280210C2	AP1000115
196371C1	AP1000423
3175336R1	AP1003536
3175110R1	AP1001504
3176321R1	AP1001367
3157994R1	AP1000704
3157741R1	AP1001098
3157094R1	AP1001117
3173480R1	AP1000913
790522R1	AP1000578
1407123R1	AP1001418
3173115R1	AP1000914
3167149R1	AP1001760
3173717R1	AP1000725
3173164R1	AP1003996
3167797R1	AP1000755
3167653R2	AP1001999
3167361R2	AP1000637
3167489R1	AP1004101
3170210R1	AP1000686
181012C1	AP1001595
181055C1	AP1001374
197411C1	AP1000702
182945C1	AP1000737
183049C1	AP1001380
186509C2	AP1001379
191288C2	AP1000614

PART NUMBER	OPTIBELT AP
599060R1	AP1001411
674965R1	AP1000633
874097C1	AP1002521
191241C3	AP1001142
J911562	AP1004155
164550R2	AP1000102
1315265C1	AP1001602
1347157C1	AP1001610
191290C1	AP1000708
192738C1	AP1003473
195396C2	AP1001417
1321565C1	AP1002320
1347387C1	AP1001602
610521R1	AP1003415
1250587C1	AP1003476
1541569C1	AP1003472
J911572	AP1003140
396829R1	AP1003475
123305A1	AP1000432
1315266C1	AP1001620
1347160C1	AP1001625
191291C1	AP1000723
1989217C1	AP1000728
1315074C1	AP1001147
1541702C1	AP1001145
191244C1	AP1001879
244422A1	AP1001533
1347358C1	AP1001604
1541700C1	AP1001600
188213C1	AP1000692
1308489C2	AP1003573
123307A1	AP1002309
124573A1	AP1001600
124572A1	AP1001599
123306A1	AP1002307
301111A1	no AP
301146A1	AP1003931
235414A1	AP1002514
317904A1	AP1000694
400427A1	AP1001216
402368A1	AP1001169
413159A1	AP1004749
440498A3	AP1004116
A78022	AP1003195
4796327	AP1002461
21486	AP1002441
60010	AP1002470
66232	AP1000690
130012	AP1002571
130013	AP1002594
130071	AP1002561
130072	AP1002595
142273	AP1002451
159837	AP1000303
178623	AP1004701
186347	AP1000630
219498	AP1002468
230056	AP1003232
230077	AP1001489

PART NUMBER	OPTIBELT AP
230078	AP1001509
270174	no AP
274224	AP1004646
314115	AP1001494
321559	AP1001512
323646	AP1001949
326298	AP1003489
330715	AP1000726
333958	AP1000715
334065	AP1001403
350236	AP1003640
356024	AP1001489
356025	AP1001525
378989	AP1000243
381236	AP1002567
381237	AP1002567
387469	AP1000700
388280	AP1001410
393519	AP1002593
399058	AP1002599
421173	AP1002556
422731	AP1000696
424563	AP1001765
427456	AP1003351
431784	AP1000328
432642	AP1003746
433746	AP1003252
433747	AP1003252
434044	AP1002007
434222	AP1001635
437033	AP1003232
439129	AP1001493
440780	no AP
443596	AP1002598
444045	AP1002554
446969	AP1001489
446970	AP1001496
446971	AP1005044
447031	AP1001872
452022	AP1002595
456216	AP1002575
457643	AP1000159
516776	AP1000349
600021	AP1002495
600101	AP1002471
602211	AP1002531
603720	AP1003584
677419	AP1003412
709998	AP1004413
717699	AP1003882
743877	AP1003349
746894	AP1001695
748003	AP1003746
753053	AP1000706
754165	AP1002415
754388	AP1003341
754389	AP1000321
754423	AP1000660
755808	AP1001487

PART NUMBER

PART NUMBER	OPTIBELT AP
756900	AP1004477
797475	AP1000998
825013	AP1001562
835683	AP1003216
851791	no AP
851792	AP1001180
857938	no AP
861731	AP1003978
900611	AP1002532
904011	AP1001629
904027	AP1001741
904029	AP1001718
904031	AP1001724
904038	AP1001729
913524	AP1000412
918062	AP1002599
921330	AP1000785
922911	AP1002004
938787	AP1002543
1108520	AP1003503
1112638	AP1003948
1113390	AP1001005
1113831	AP1001259
1113936	AP1002567
1113985	AP1003582
1114295	AP1001177
1114568	AP1003623
1114576	AP1001729
1169428	AP1001938
1169983	AP1001231
1169991	AP1001319
1170003	AP1001313
1170011	AP1001997
1170028	AP1001993
1170036	AP1001230
1170044	AP1001797
1170060	AP1001798
1170116	AP1001322
1170124	AP1001323
1170140	AP1003618
1170157	AP1002673
1170181	AP1001318
1170204	AP1001310
1300721	AP1002595
1301131	AP1002598
1590486	AP1004760
1725666	AP1004758
1791046	AP1002582
2213342	AP1004838
2700114	AP1002346
2853208	AP1003158
2855970	AP1002651
2856151	AP1003163
2900435	AP1002343
2928981	AP1004820
2929681	AP1002528
2929932	AP1004818
2976405	no AP
3012326	AP1004819

PART NUMBER	OPTIBELT AP
3140006	AP1002546
3140053	AP1002567
3140058	AP1002534
3140085	AP1002475
3140109	AP1002537
3142286	AP1002440
3142287	AP1002443
3142590	AP1002507
3143002	AP1002462
3145900	AP1004724
3288757	AP1002645
3288768	AP1002645
3288812	AP1004155
3288867	AP1002663
3288922	AP1003139
3288999	AP1003955
3289078	AP1003158
3289224	AP1003788
3289279	AP1003170
3289481	AP1003177
3289593	AP1002661
3289604	AP1002661
3289648	AP1003186
3289768	AP1003195
3290158	AP1003191
3781694	AP1003431
3795185	AP1000702
4702438	AP1002462
4760486	AP1002548
4899373	AP1005211
5095203	AP1002460
6500261	AP1002567
8403632	AP1002060
8403693	AP1002050
8520042	AP1001576
8602680	AP1002643
9501182	AP1002579
9501863	AP1002556
9502828	AP1001053
9506748	AP1002508
9508557	AP1002575
9508558	AP1002554
9513984	AP1000631
9514310	AP1000152
9575059	AP1002571
9575153	AP1000747
9593418	AP1000813
9593440	AP1000816
9593464	AP1004077
9604339	AP1002567
9800111	AP1000713
9814069	AP1001557
9817374	AP1001876
9818705	AP1004896
9819676	AP1000672
9829162	no AP
9831571	AP1003668
9833619	AP1003137
9833888	no AP

PART NUMBER	OPTIBELT AP
9835120	AP1001781
9835683	AP1003216
9835815	AP1002571
9837412	AP1000573
9839375	AP1000774
9850080	AP1004079
20471086	AP1001000
20797305	AP1003650
20797483	AP1001202
20797491	AP1001205
31295188	AP1001872
31301147	AP1001704
31302068	AP1002256
31302076	AP1002669
31310695	AP1003051
31314408	AP1002673
31317917	AP1000313
31318645	AP1002018
31343437	AP1001574
31360374	AP1005154
47406268	AP1004391
47413433	AP1004438
47414501	AP1004640
47415905	AP1004577
47419045	AP1000691
47441074	AP1004286
47452756	AP1001685
47499273	AP1001831
47518145	AP1004963
47554214	AP1004150
47561505	AP1005188
47646465	AP1004035
47649529	AP1005046
47660908	AP1001958
47669131	AP1000634
47677433	AP1001956
47860815	AP1001595
47860816	AP1002717
47860817	AP1005115
47860818	AP1001891
47873409	AP1004410
47958701	AP1001657
47965917	AP1004147
47972277	AP1000236
48003350	AP1002283
48009502	AP1001613
48030508	AP1001557
48030509	AP1002913
48033449	AP1004898
48033456	AP1000653
48036464	AP1000708
48061967	AP1001697
48103693	AP1004127
48114650	AP1001853
48124416	AP1004467
48177755	AP1000571
50404925	AP1004257
51400100	AP1002457
51449123	AP1001633

PART NUMBER



PART NUMBER	OPTIBELT AP
51461446	AP1000410
51462504	AP1001628
51478467	AP1005103
60038063	AP1001892
60067590	AP1001901
60068286	AP1001869
60121284	AP1003589
60124334	AP1001944
60183586	AP1001211
60186515	AP1001883
60203060	AP1001863
60517253	AP1002560
60517261	AP1003773
60518004	AP1002534
60520763	AP1001894
61004680	AP1002002
61020978	AP1001900
61063633	AP1002010
61068927	AP1001246
61068935	AP1001866
61068943	AP1001241
61068968	AP1001308
72023391	AP1001220
72048753	AP1001317
73180336	AP1000060
75242369	AP1002571
80046914	AP1000596
80159837	AP1000303
80347469	AP1000700
80354115	AP1001494
80392361	AP1003661
80396749	AP1000577
80433747	AP1003252
80437607	no AP
80443635	AP1002460
80446969	AP1001489
80446970	AP1001496
80449701	AP1000426
80452022	AP1002595
80452023	AP1002595
80453267	AP1003311
80516776	AP1000349
80531558	AP1000596
80543226	AP1002132
80565498	AP1002132
80603720	AP1001405
80727852	AP1000596
80746889	AP1000735
80746890	AP1000744
80746891	AP1000798
80746893	AP1001647
80746894	AP1001695
80749144	AP1000559
80749145	AP1002822
80754423	AP1000660
80851791	no AP
80851792	AP1001180
80913524	AP1000412
80921330	AP1000785

PART NUMBER	OPTIBELT AP
80980001	no AP
81549846	AP1002546
81718144	AP1002549
81718146	AP1002539
81845565	AP1003727
82007330	AP1004258
82010895	AP1002619
82012177	AP1002619
82021010	AP1004260
82850752	AP1002639
83949803	AP1004724
84000190	AP1001694
84001336	AP1001776
84002709	AP1000583
84005357	AP1002758
84005861	AP1002639
84005971	AP1000826
84005972	AP1000829
84007006	AP1001766
84007677	AP1001783
84012390	AP1002026
84012562	AP1004612
84017753	AP1003038
84018998	AP1000831
84019041	AP1000730
84019385	AP1000834
84021589	AP1004052
84023913	AP1002677
84024926	AP1003366
84026668	AP1000667
84026762	AP1002746
84026892	AP1000571
84036578	AP1002929
84036579	AP1001165
84038109	AP1004061
84041069	AP1001711
84041070	AP1001707
84041094	AP1001712
84041095	AP1001708
84042180	no AP
84043106	AP1002823
84043107	AP1000290
84045018	AP1000712
84045444	AP1004421
84045751	AP1002602
84045959	AP1000672
84054417	AP1001007
84056914	AP1002927
84057609	AP1000294
84057610	AP1000294
84058063	no AP
84058255	AP1000650
84073615	AP1002824
84074272	AP1002659
84074273	AP1002145
84075053	AP1002691
84075677	AP1001342
84075683	AP1002172
84078581	no AP

PART NUMBER	OPTIBELT AP
84127377	AP1004629
84137560	no AP
84137716	AP1004925
84137965	AP1001637
84139175	AP1004498
84148387	AP1001249
84163222	AP1004926
84168012	AP1001647
84171789	AP1004314
84172256	AP1004444
84175581	AP1001636
84175582	AP1005033
84180490	AP1004425
84185033	AP1002556
84185053	AP1002543
84188121	AP1003643
84188501	no AP
84191907	AP1001767
84192753	AP1004546
84194650	AP1004899
84215838	AP1003254
84223612	AP1002627
84226318	AP1000674
84238513	AP1003718
84240788	AP1002971
84243629	AP1002521
84254480	AP1001865
84254495	AP1003634
84256364	AP1004466
84256369	AP1004850
84257945	AP1003189
84262973	AP1003935
84262995	no AP
84271496	AP1004724
84274885	AP1004533
84284322	AP1001563
84284468	AP1001681
84286546	AP1002599
84286835	AP1004520
84287970	AP1003939
84296393	AP1004653
84298887	AP1004583
84298895	AP1004581
84299873	AP1004310
84311543	AP1004006
84320459	AP1000671
84342685	AP1003977
84342686	AP1003976
84346830	AP1003940
84352807	AP1001685
84352808	AP1004286
84356659	AP1004628
84365262	AP1005071
84365709	AP1004826
84373502	AP1003200
84376536	AP1001603
84381274	AP1004186
84384813	no AP
84394081	AP1004503

PART NUMBER

PART NUMBER	OPTIBELT AP
84397971	AP1002644
84398996	AP1001823
84398997	AP1001838
84398998	AP1004574
84406044	AP1005070
84411381	AP1005149
84423385	AP1002686
84435248	AP1001187
84440188	AP1000806
84448759	AP1004650
84449048	AP1004602
84449232	AP1004649
84449233	AP1004648
84449518	AP1002584
84449662	AP1003355
84449861	AP1004654
84452723	AP1004836
84452979	AP1004906
84455757	AP1004833
84455758	AP1000265
84455765	AP1004833
84455766	AP1000265
84457069	AP1004698
84458482	AP1004669
84459680	AP1004605
84472848	no AP
84493479	no AP
84493480	no AP
84511734	AP1004652
84513766	AP1005149
84514757	AP1001838
84518497	AP1002627
84522809	AP1005034
84531713	AP1003719
84533502	AP1004006
84582506	AP1004575
84582509	AP1004623
84589012	no AP
84589013	AP1004581
84590653	AP1003170
84814035	AP1001188
84817621	AP1000620
84817622	AP1005157
84817624	AP1003341
84817625	AP1000321
84817633	AP1001657
84817634	AP1002026
84817637	AP1003617
84817638	AP1003807
84817640	AP1005124
84981849	AP1001493
84993224	AP1001488
84996134	AP1001715
84999531	AP1001168
8526230	AP1003129
85011009	AP1004690
86514512	AP1004374
86514520	AP1000232
86514607	AP1005032

PART NUMBER	OPTIBELT AP
86514611	AP1002539
86514615	AP1004724
86514616	AP1004723
86516699	AP1004879
86517680	AP1001853
86518569	no AP
86547070	AP1001713
86566286	AP1001627
86566606	AP1001978
86582818	AP1004615
86595191	AP1005137
86596143	no AP
86610860	no AP
86627797	AP1001942
86627796	AP1003356
86627797	no AP
86627808	AP1004609
86627809	AP1004608
86629764	AP1004414
86633896	AP1000607
86634492	AP1001350
86975809	AP1000744
86976208	AP1005072
86982450	AP1003132
86988710	AP1001616
87012453	AP1001969
87027209	AP1000671
87030923	AP1004613
87031779	AP1004127
87061270	AP1000667
87061591	AP1000642
87282305	AP1004182
87282333	AP1003244
87283139	AP1001373
87301455	AP1004898
87309958	AP1002664
87316555	AP1002648
87316556	AP1002636
87325327	AP1004793
87330903	AP1001616
87332161	AP1004924
87346514	AP1004497
87346859	AP1002601
87354138	AP1003171
87354141	AP1004851
87366024	AP1003698
87368902	AP1001680
87373569	AP1002529
87374574	AP1004722
87375325	AP1004548
87384158	AP1002328
87393905	AP1001558
87397416	AP1002656
87415774	AP1003125
87429954	AP1002552
87456836	AP1003044
87476486	AP1004065
87476487	AP1004064
87491779	AP1004252

PART NUMBER	OPTIBELT AP
87518813	AP1003368
87519458	AP1003184
87526139	AP1002589
87526140	AP1002589
87527868	AP1004591
87528118	AP1004692
87528805	AP1000730
87531466	AP1004692
87540195	no AP
87549556	AP1001841
87564450	AP1001620
87564452	AP1001616
87564549	AP1001616
87567471	AP1002521
87572660	AP1004406
87583899	AP1001877
87628477	AP1003356
87628478	AP1003618
87630521	AP1003132
87641387	AP1004369
87642957	AP1000693
87653464	AP1004383
87655953	no AP
87656225	AP1004357
87656270	AP1004659
87664231	AP1004524
87671290	AP1004718
87671291	AP1004717
87671748	AP1004532
87671939	AP1004889
87673234	AP1004373
87683178	AP1004115
87699094	AP1003941
87721960	AP1001850
87739437	AP1002811
87741240	AP1001914
87747431	AP1001876
87755884	AP1003195
87758085	AP1004376
87800129	AP1002569
89505865	AP1001654
89506463	AP1001690
89507997	AP1004413
89509459	AP1000163
89510091	AP1003431
89513440	AP1002138
89515166	AP1002120
89515167	AP1002865
89515172	AP1000546
89515713	AP1000275
89516212	AP1001206
89811480	AP1003616
89811963	AP1001695
89813594	AP1000399
89817249	no AP
89817439	AP1000593
89817548	AP1003996
89819506	AP1001693
89819507	AP1001699

PART NUMBER



PART NUMBER	OPTIBELT AP
89819509	AP1001692
89831571	AP1003668
89831693	AP1002445
89831694	AP1002448
89831695	AP1000012
89831696	AP1002450
89831697	AP1002454
89831698	AP1002452
89831699	AP1002456
89831700	AP1002457
89831701	AP1002460
89831702	AP1002462
89831703	AP1002465
89831704	AP1002468
89831705	AP1002471
89831706	AP1002473
89831707	AP1002475
89831708	AP1002478
89831709	AP1002933
89831710	AP1002483
89831711	AP1002920
89831712	AP1002922
89831713	AP1002488
89831714	AP1002490
89831715	AP1002492
89831716	AP1002494
89831717	AP1002495
89831718	AP1002496
89831719	AP1002497
89831720	AP1002499
89831721	AP1002461
89831722	AP1002505
89831723	AP1002507
89831724	AP1002508
89831725	AP1002512
89831726	AP1002514
89831727	AP1002515
89831728	AP1002521
89831729	AP1002534
89831730	AP1002537
89831731	AP1002539
89831732	AP1002543
89831733	AP1002547
89831734	AP1002549
89831735	AP1002551
89831736	AP1002554
89831737	AP1002556
89831738	AP1002558
89831739	AP1002560
89831740	AP1002562
89831741	AP1002567
89831742	AP1002571
89831743	AP1002575
89831744	AP1002579
89831745	AP1002582
89831746	AP1002584
89831747	AP1002588
89831748	AP1002593
89831749	AP1002594

PART NUMBER	OPTIBELT AP
89831750	AP1002595
89831751	AP1002598
89831752	AP1002599
89833888	no AP
89835010	AP1000726
89835047	AP1000827
89850532	AP1002147
99466943	AP1002555
99466947	AP1002555
209553078	AP1002124
340433153	AP1000127
419375000	AP1005136
500380059	AP1003718
500386112	AP1002555
700707578	no AP
700707586	AP1004937
700711518	no AP
770000722	AP1001629
770000980	AP1001894
770001008	AP1001742
770002330	AP1001721
842373502	AP1003200
873541380	AP1003171
873541410	AP1004851
873735690	AP1002529
875556830	AP1004157
4031832698	AP1003947
4032804396	AP1003948
4032807784	AP1003949
4032808262	AP1001828
4131775305	AP1001202
4131775313	AP1002213
4131781055	AP1001557
4131781578	AP1003036
4221613143	AP1000897
4221668157	no AP
4221668181	AP1001204
4240053761	AP1002122
4247047693	AP1000000
4250121764	AP1003650
4250121860	AP1000998
4250121877	AP1001202
4250121885	AP1001205
4250129730	AP1005155
4250129747	AP1003314
4250129755	AP1002228
4254138496	AP1002349
4254138824	AP1002218
4254138832	AP1002185
4254138840	AP1004771
4254138857	AP1002124
4255643332	AP1000623
4260699985	AP1001901
4260699993	AP1001516
4260700007	AP1002721
4260700015	AP1002135
4260700015	AP1002135
4260700023	AP1002721
4260700031	AP1002100

PART NUMBER	OPTIBELT AP
4260703838	AP1002280
4260703846	AP1002263
4260703926	AP1000906
4264715364	AP1004062
4270717737	AP1001944
4270717737	AP1001944
4270717737	AP1001944
4270722236	AP1003361
4270722244	AP1003589
4270722252	AP1002400
4270722252	AP1002400
4270722517	AP1003052
4270722517	AP1003052
9351017400	AP1001630
9911860435	AP1000906
9911860628	AP1000615
9911860958	AP1001178
9911861364	no AP
9911861477	AP1002065
9911861493	AP1002127
9911861516	AP1005154
9911861524	AP1002218
9911861540	AP1002223
9911861612	AP1002148
9911861717	AP1002110
9911861725	AP1002110
9911861862	AP1002237
9911861901	AP1002228
9911861918	AP1002065
9911861926	AP1005155
9911862043	AP1002074
14010060002	AP1002475
51102171670	AP1001556
51102174610	AP1001678
51651131427	AP1000119
51651132765	AP1000156
51651170965	AP1003383
51651170975	AP1003384
51651171700	AP1000243
51651171930	AP1000260
51651172413	AP1000300
51651173861	AP1004437
51651221725	AP1000561
51651221981	AP1000584
51651222413	AP1000620
51651222650	AP1000643
51651222800	AP1000659
51651223505	AP1000720
51651255246	AP1000927
51651321480	AP1001408
51651453200	AP1001490
51651502130	AP1001508
51652131450	AP1000120
51652171372	AP1000221
51652171800	AP1005149
51652172200	AP1001585
51652172500	AP1001602
51652174225	AP1001668
51652174350	AP1003614

PART NUMBER

PART NUMBER	OPTIBELT AP
51652175000	AP1001690
51653173180	AP1001859
51653173762	AP1003649
51654172420	AP1001956
3228287 R91	AP1002575
J911587	AP1002651
003795185	AP1000702
00422731	AP1000696
00921330	AP1000785
01100788	AP1002052
01101723	AP1000243
01101811	AP1001579
01101908	no AP
01103493	no AP
01103821	AP1000211
01104002	AP1000224
01108473	AP1000578
01108520	AP1003503
01109023	AP1002322
01109080	AP1002406
01109312	no AP
01111067	AP1002039
01111227	AP1002219
01111661	AP1002391
01111678	AP1003693
01111717	AP1002396
01111725	AP1004771
01111766	AP1000179
01111887	AP1002213
01111895	AP1003036
01112277	AP1002223
01112605	AP1002181
01113116	AP1001626
01113501	AP1001570
01113550	AP1005153
01113864	AP1002721
01113872	AP1000179
01113880	AP1004083
01113897	AP1000178
01113928	AP1002344
01113950	AP1002123
011170198	AP1003611
01145629	AP1004102
01169686	AP1002209
01169694	AP1002191
01170132	AP1001639
020476355	AP1002148
020953053	AP1002185
020953061	AP1004771
021189838	AP1004062
021206287	AP1002143
021365202	AP1003609
04-113516	AP1003577
04-113518	AP1001256
04-113598	AP1001946
04-114742	AP1003579
04-119434	AP1002025
04-122838	AP1001255
04-133180	AP1001232

PART NUMBER	OPTIBELT AP
060007646	AP1002721
060038666	AP1002280
060067605	AP1001649
060067638	AP1002135
060067646	AP1002721
060067654	AP1002100
060143490	AP1002198
060143505	AP1002132
060178276	AP1001622
060187034	AP1002257
060187276	AP1001622
060187284	AP1000714
060190778	AP1000688
060190786	AP1000637
060191762	AP1002060
060206963	AP1004750
060206971	AP1002070
060206988	AP1000041
060500044	AP1002747
060500108	AP1002347
060500116	AP1002352
060506933	AP1002409
060519150	AP1001676
061009082	AP1002202
061009396	AP1002110
061009402	AP1005153
061015851	AP1004703
061017105	AP1002282
061020986	AP1001647
061029584	AP1002264
061033443	AP1002151
061036454	AP1001628
061067790	AP1000371
061068951	AP1001659
061068976	AP1002132
061068984	AP1002390
061068992	AP1003051
061069028	AP1002201
061069036	AP1002389
0616355	AP1000662
082.383/28	AP1002560
082.383/42	AP1002961
10VX00C	AP1004025
1113096X1	AP1001771
1113097C2	AP1001144
130100060017	AP1002478
130100060018	AP1002478
1301000600181	AP1002478
130100130041	AP1002551
1301001300411	AP1002551
130100130071	AP1002560
130100130072	AP1002595
130100130112	AP1002575
130100130113	AP1002598
130300060002	AP1002551
1303000600021	AP1002551
130800060010	AP1002471
1316573C2	no AP
1315168C1	AP1001147

PART NUMBER	OPTIBELT AP
132000060012	AP1002571
1320000600121	AP1002571
132000130020	AP1002512
1320001300201	AP1002512
132000130021	AP1002560
1320001300211	AP1003726
1321564C1	AP1002316
1325050C1	AP1000748
1329161C1	no AP
1330311C1	AP1000247
1374-310-379	AP1001408
1374-310-380	AP1001490
1374-310-381	AP1001408
1374-310-400	AP1000220
1374-310-401	AP1000301
1374-310-403	AP1000931
1374-310-407	AP1001811
1374-310-418	AP1000123
1374-310-420	AP1001413
1374-310-421	AP1001508
1374-310-425	AP1000615
1374-390-129	AP1003615
1374-390-157	AP1001840
1374-390-255	AP1004428
1374-390-275	AP1004488
139900130003	AP1002567
1399001300031	AP1002567
139900270174	AP1000030
139900270236	AP1001172
139900270270	AP1002594
139900270408	AP1002074
139900270478	AP1001218
140100060001	AP1002475
140100060002	AP1002475
1401000600021	AP1002475
140100130131	AP1002594
140100130132	AP1002562
1401001301311	AP1002594
1401001301321	AP1003727
1411000600141	AP1002478
1413C060017	AP1002575
142000060001	AP1003727
1420000600011	AP1003727
142000060011	AP1003727
142000060012	AP1002569
1420000600121	AP1002569
142000130004	AP1002521
1420001300041	AP1002521
142000130005	AP1002526
1420001300051	AP1002526
159639A1	AP1004034
1609B130009	AP1000015
161200090098	AP1002460
16131DA	AP1000533
162000060001	AP1002571
162000060005	AP1002575
1620000600051	AP1002575
162000060006	AP1002569

PART NUMBER



PART NUMBER	OPTIBELT AP
162000600061	AP1002569
16200060007	AP1002582
16200060007(1)	AP1002582
162000600071	AP1002582
162000130003	AP1002579
1620001300031	AP1002579
162000130004	AP1002514
1620001300041	AP1002514
162000130007	AP1002515
1620001300071	AP1002515
162000130046	AP1002512
1620001300461	AP1002512
1620001300741	AP1002521
162000131001	AP1002521
178019R1	AP1000625
1806189C1	AP1002529
181055C11	AP1001374
182819C1	AP1000741
188213C3	AP1000692
190003140006	AP1002547
190003140007	AP1002475
190003140013	AP1002483
190003140020	AP1002594
190003140029	AP1002453
190003140030	AP1002451
190003140032	AP1002475
190003140035	AP1002512
190003140037	AP1002558
190003140039	AP1002508
190003140041	AP1002478
190003140047	AP1002554
190003140053	AP1002567
190003140054	AP1002442
190003140062	AP1002556
190003140064	AP1002539
190003140073	AP1002529
190003140078	AP1002512
190003140079	AP1000022
190003140080	AP1000185
190003140081	AP1002521
190003140083	AP1002551
190003140084	AP1002514
190003141018	AP1002468
190003142270	AP1002444
190003142272	AP1002447
190003142273	AP1002451
190003142275	AP1002447
190003142278	AP1002443
190003142284	AP1002442
190003142287	AP1002443
190003142290	AP1003321
190003142291	AP1002448
190003142293	AP1002445
190003142295	AP1002450
190003142304	AP1005041
190003142309	AP1002457
190003142313	AP1002473
190003142325	AP1002483
190003142332	AP1000012

PART NUMBER	OPTIBELT AP
190003142334	AP1002920
190003142340	AP1002933
190003142350	AP1002494
190003142357	AP1002455
190003142358	AP1002922
190003142503	AP1000044
190003142504	AP1002520
190003142508	AP1002505
190003142516	AP1002512
190003142521	AP1004851
190003142523	AP1002515
190003142525	AP1002558
190003142526	AP1002507
190003142527	AP1002515
190003142532	AP1000054
190003142543	AP1002549
190003142557	AP1002562
190003142558	AP1002571
190003142590	AP1002507
190003142710	AP1000194
190003142718	AP1004036
190003142802	AP1000492
190003143470	AP1002452
190003149999	AP1002343
194528C2	AP1003471
1970116C2	AP1000625
1979606C2	AP1003342
244420A3	no AP
244420A4	AP1004746
244422A3	AP1004747
244422A4	AP1004747
244423A3	AP1004748
244423A4	AP1004748
244423A5	no AP
247426A1	AP1004061
247428A1	AP1003917
288648A1	AP1003044
289198A1	AP1004804
289199A1	AP1004805
294462A1	AP1000107
299659A1	AP1002933
303416R1	AP1002551
3043167R1	AP1002571
3050382R1	AP1002468
3055525R1	AP1002560
3055526R1	AP1002586
3055715R91	AP1002556
3060802R2	AP1002575
3061786R2	AP1002314
3068879R1	AP1002529
3068901R1	AP1002525
3069379R1	AP1000094
3113342R1	AP1002586
3119750R1	AP1002446
31275207N1	AP1004228
31275280N1	AP1002441
31302068	AP1002256
31310695	AP1003051
3131095	AP1003051

PART NUMBER	OPTIBELT AP
31323185	AP1000388
3136257R1	AP1002558
3136421R1	AP1002582
3136663R1	AP1002575
3139157R91	AP1002589
31400010	AP1002586
47405555	AP1000720
3142280	AP1002447
3142541	AP1002539
3142558	AP1003730
3144098R91	AP1002594
3144678R1	AP1002558
3155068R1	AP1001446
3156215R1	AP1001463
3157009R1	AP1001478
3157738R2	AP1001115
3157739R1	AP1002828
3158242R1	AP1001477
3171057R2	AP1000130
3172232R1	AP1003401
3172275R1	AP1001366
3172404R1	AP1000309
3173726R1	AP1001889
3175036R2	AP1001101
3175078R1	AP1001885
3175457R1	AP1000264
3175578R1	AP1002094
3176558R1	AP1002103
3218043R1	AP1002537
3218802R1	AP1002598
3218951R1	AP1002560
3218952R1	AP1002571
3228131R1	AP1002543
3228274R1	AP1002551
3228279R1	AP1002547
3228282R1	AP1002534
3228287R1	AP1002575
3228287R91	AP1002575
3228641R1	AP1002584
3522468M3	AP1002518
358213R1	AP1000084
3674243M1	AP1002558
379461A1	AP1004851
380041A1	AP1001143
393750A1	AP1001146
393751A1	AP1001144
402370A1	AP1004923
4102/50063	no AP
413159A2	AP1004749
47551703C	AP1004170
47677433B	AP1003918
47774009A	AP1004422
47774029-C	AP1000640
47774077A	AP1000231
4240053712	AP1004703
4254138824	AP1002218
4254138840	AP1004771
4990/20555	AP1001217
58622R1	AP1000421

PART NUMBER

PART NUMBER	OPTIBELT AP
600 J 04	AP1004037
600A06	AP1004001
600A10	AP1003994
600A12	AP1003996
600A701	AP1004003
600A715	AP1004002
600A77	AP1003997
600J06	AP1004038
600J09	AP1004039
600P05	AP1004036
600P09	AP1004035
6100645M1	AP1002284
6102366M1	AP1002520
61521R1	AP1003415
662213R1	AP1000541
683548C91	AP1002303
69490DA	AP1000533
700714140	no AP
712216R1	AP1003370
714241R1	AP1000112
716404R1	AP1002471
716415R1	AP1002473
716417R1	AP1002478
739734R1	AP1000992
756232R1	AP1000086
756237R1	AP1000188
758866R1	AP1004352
760285R1	AP1002297
762861R1	AP1002265
764956R1	AP1000112
767564R1	AP1001001
767585R91	AP1002081
768220R91	AP1002081
769543R91	AP1004032
769830R2	AP1000694
793417R2	AP1000741
84766X1	AP1002521
9351.0039.00	AP1000715
9351.0047.00	AP1004040
9351.0055.00	AP1000744
9351.0174.00	AP1001630
9351.0179.00	AP1001647
9351.0274.00	AP1001743
97-018167	AP1002452
98-024334	AP1001579
98-026090	AP1001810
98-027803	AP1001939
98-028535	AP1001249
98-029076	AP1001620
98-029103	AP1001515
98-031256	AP1001967
98-032070	AP1001830
98-036087	AP1001829
98-036261	AP1001553
98-039673	AP1001960
98-039691	AP1002829
98-039777	AP1001234
98-039778	AP1001260
98-039783	AP1001808

PART NUMBER	OPTIBELT AP
98-039925	AP1002599
98-041408	AP1001248
98-041788	AP1001910
98-042220	AP1001813
98-042446	AP1002588
98-043793	AP1001989
98-045851	AP1002483
98-045896	AP1001233
98-046005	AP1002056
98-046076	AP1002345
98-046372	AP1002349
9817439	AP1000593
989271C1	AP1000728
98927C	AP1000728
99.060226-5000	no AP
99.060268-5000	AP1004887
99.060663-1005	AP1001721
99.060738-3023	AP1001883
99.060739-8023	AP1001890
A138759	AP1002266
A184652	AP1002525
A77938	AP1003140
A938768	AP1002452
AP706228207	AP1002097
B506233	AP1001378
B506234	AP1000648
B506235	AP1000693
B506236	AP1000233
B506237	AP1005136
B506238	AP1000260
B506239	AP1000295
B938746	AP1002487
BR11018	AP1002460
C338723	AP1002485
C938770	AP1002086
C9NN-10C318-B	AP1002565
CQ13837	AP1004101
DF069791	AP1001164
DF070542	AP1000683
DF091572	AP1000685
E020T12	AP1004014
E040T09	AP1001917
E128625	AP1002364
E84994	AP1002456
G138788	AP1003043
G38715	AP1000224
H938752	AP1002478
H938775	AP1002127
J38717	AP1004034
J911557	AP1002645
J911559	AP1002649
J911565	AP1002648
J911566	AP1003955
J911574	AP1003147
J911580	AP1003788
J925953	AP1003132
K138722	AP1000563
K311714	AP1002475
K38718	AP1000118

PART NUMBER	OPTIBELT AP
K903050	AP1002464
K913631	AP1000014
K938731	AP1003313
K952514	AP1002422
L38742	AP1000563
M138747	AP1002452
MGP1112	AP1000102
N38744	AP1000557
N938734	no AP
N938757	AP1002048
ND 9050	AP1002096
ND 9240	AP1002077
ND-9003	AP1002088
ND-9036	AP1002090
ND-9073	AP1002095
ND-9092	AP1002197
ND-9317	AP1002092
ND-9359	AP1003681
ND-9471	AP1003680
ND-9674	AP1005138
P138703	AP1003397
P38745	AP1000563
P938712	AP1000194
Q138796	AP1002044
Q938713	AP1003385
Q938736	AP1002543
R138705	AP1000119
R138797	AP1002045
R938760	AP1002082
S438718	AP1002520
S619146	AP1001198
S80928	AP1004879
S938738	AP1002483
S938761	AP1002362
T040H02-A	AP1004016
T38726	AP1000054
T938762	AP1002452
U938740	AP1002462
V938741	AP1002475
V938764	AP1002482
W938719	AP1000022
W938742	AP1002482
X938743	AP1002492
Z938744	AP1002457
Z938767	AP1002122
610521R1	AP1003415
4796327	AP1002461
790522R1	AP1000578
793051R2	AP1000988
1408761R1	AP1000372
3155127R1	AP1001091
3155178R1	AP1000749
769482R1	AP1002043
1407123R1	AP1001418
1408840R1	AP1001369
1410106R1	AP1001113
1410279R1	AP1003531
86013678	AP1004259
1407035R1	AP1002790

PART NUMBER



AG - BI
CA - CL
DE - DR
FE - FO
GL - GR
IN - JO
KP - KZ
LA - ME
NE - RO
SA - ST
VA - ZM
PARTS
SERVICE

PART NUMBER	OPTIBELT AP
1410462R1	AP1001095
3158811R1	AP1001370
3157094R1	AP1001117
3157600R1	AP1001371
3157994R1	AP1000704
3158455R1	AP1000904
9911861645	AP1002076
4796328	AP1002462
80230073	AP1000904
80230056	AP1003232
51101256000	AP1000931
4796327	AP1002461
CLAAS	
641682	AP1003635
1318010	AP1003842
4950080	AP1004569
7730150	AP1004908
767057.1	AP1003333
667958.1	AP1003598
673614.1	AP1001566
671012.0	AP1003631
671012.1	AP1003631
603337.0	AP1000662
603336.0	AP1000478
603336.1	AP1000478
673638.1	AP1001099
661031.2	AP1001564
0628964.1	AP1002687
11035850	AP1003253
11035860	AP1003209
11080500	AP1001336
11084620	AP1003196
11085260	AP1002971
11085270	AP1002575
11114270	AP1002652
11125690	AP1002579
11147900	AP1003259
11147910	AP1003258
11147940	AP1001335
11147950	AP1001335
11147960	AP1004090
11147990	AP1003200
11148000	AP1003198
11148040	AP1003158
11148050	AP1003156
11171600	AP1004259
11205790	AP1003194
11205791	AP1002652
11205800	AP1003189
11408400	AP1002478
11408410	AP1002549
11408420	AP1002554
11408430	AP1004878
11408440	AP1004875
11430440	AP1002567
6000130460	AP1000214
6000130463	AP1000115
6000133192	AP1004046

PART NUMBER	OPTIBELT AP
6000133265	AP1004827
6005000475	AP1002554
6005000493	AP1002552
6005000844	AP1002494
6005022912	AP1002410
6005717341	AP1002669
7700008696	AP1002478
7700010200	AP1002555
7700018067	AP1002567
7700027207	AP1001042
7700027471	AP1002507
7700035746	AP1001043
7700037114	AP1002589
7700037116	AP1002594
7700037231	AP1004729
7700040497	AP1002735
7700042687	AP1004708
7700042688	AP1004707
7700042689	AP1004706
7700042907	AP1004728
7700043664	AP1003215
7700043752	AP1002652
7700043753	AP1002677
7700048822	AP1001335
7700050644	AP1003245
7700050889	AP1001336
7700054412	AP1003131
7700055691	AP1003147
7700055692	AP1002663
7700056666	AP1002537
7700057145	AP1001337
7700059170	AP1003134
7700059172	AP1003196
7700059682	AP1002512
7700060521	AP1002649
7700060523	AP1002663
7700060527	AP1003807
7700062253	AP1003135
7700062256	AP1003195
7700062257	AP1003192
7700062268	AP1003140
7700062485	AP1003263
7700063621	AP1003807
7700066453	AP1003217
7700066699	AP1003196
7700066725	AP1003189
7700066735	AP1003253
7700068065	AP1003235
7700071570	AP1003229
7700074852	AP1003253
7700074853	AP1003253
7700074854	AP1003797
7700074855	AP1002679
7701018005	AP1002529
7701029701	AP1002462
7701029702	AP1002465
7701029703	AP1002468
7701029705	AP1002474
7701029707	AP1002483

PART NUMBER	OPTIBELT AP
7701030341	AP1002464
7701030342	AP1004875
055893.0	AP1004361
008952.1	AP1000487
0131808.0	AP1005035
020344.0	AP1000369
020345.0	AP1001667
020600.0	AP1001817
020601.0	AP1000338
020705.0	AP1003800
020706.0	AP1004418
020712.0	AP1000259
022985.0	AP1000394
023218.0	AP1003629
023219.0	AP1000772
023220.1	AP1000650
023999.0	AP1000268
024664.0	AP1004852
025242.0	AP1002717
027070.0	AP1004427
027275.0	AP1001209
027279.0	AP1003835
027280.0	AP1000237
027284.0	AP1004434
027286.0	AP1004265
027287.0	AP1004439
027322.0	AP1004858
027323.0	AP1004839
027324.0	AP1004529
027327.0	AP1004857
027508.0	AP1004737
027547.0	AP1000232
027581.0	AP1001720
034628.0	AP1004656
0480477.0	AP1004891
050090.0	AP1000528
050154.1	no AP
051689.0	AP1000368
0545307.0	AP1002869
0549238.0	AP1004253
055292.0	AP1000240
0554171.0	no AP
0554186.0	AP1004087
055772.0	AP1000352
060162.0	AP1000481
060239.1	AP1000484
060304.1	AP1002250
060305.0	AP1002249
060306.4	AP1000723
060307.0	AP1004487
060916.0	AP1002253
060954.0	AP1000865
061088.0	AP1004446
061204.0	AP1000884
061252.0	AP1000875
061253.1	AP1000873
061704.0	no AP
0617309.0	AP1000953
0617309.1	AP1000954

PART NUMBER

PART NUMBER	OPTIBELT AP
0617309.2	AP1000954
061872.1	AP1004936
064874.0	AP1000569
0660504.0	AP1001939
068752.0	AP1000369
068752.1	AP1000369
068786.0	AP1000362
069925.0	AP1000285
070052.0	AP1003392
076401.0	AP1001324
076401.1	AP1001324
077401.0	AP1000283
081648.0	AP1001326
083615.0	AP1001330
083668.0	AP1001329
083668.1	AP1001329
0854277500	AP1000108
090255.0	AP1001293
090256.0	AP1001295
090256.1	AP1001296
090265.0	no AP
090266.0	AP1005201
090267.0	AP1005203
090286.0	no AP
094046.1	AP1003401
094046.2	AP1003401
094047.0	AP1000092
103037.0	AP1002135
103735.0	AP1002382
104098.1	AP1002100
104237.1	AP1003680
104497.0	AP1003682
104914.0	AP1003492
104990.0	AP1000561
105580.0	AP1002382
105603.0	AP1002377
105660.0	AP1002719
105860.0	AP1000304
105860.1	AP1000304
12260820.0	AP1000488
12316790.0	AP1005208
124205.0	AP1005205
124205.1	AP1005205
124215.0	AP1005202
124215.1	AP1005202
124225.0	AP1005272
124231.0	AP1005255
124232.0	AP1005261
124233.0	AP1005268
124235.0	AP1005271
124258.0	AP1005106
124303.2	AP1005265
130901.0	AP1005207
130906.0	AP1004866
130931.0	AP1003800
130934.0	no AP
130998.0	no AP
130999.0	no AP
131801.0	AP1003842

PART NUMBER	OPTIBELT AP
131802.0	AP1005107
131802.1	AP1005107
131803.0	AP1005200
131995.0	no AP
131996.0	AP1005201
131997.0	AP1005203
131998.0	no AP
131999.0	no AP
1320324.0	AP1000108
1320382.0	AP1004411
1320434.0	AP1004401
1320628.0	AP1004393
1324222.0	AP1004569
140755.0	AP1004636
140756.0	AP1004679
140765.0	AP1005109
1409038.0	AP1005230
1409941.0	AP1005229
142845.1	AP1004866
144298.0	AP1004874
144298.1	AP1004874
144299.0	AP1004699
144356.0	no AP
144361.0	no AP
144550.0	AP1004676
144551.0	AP1004677
144898.0	AP1004839
145265.0	AP1002053
146890.0	AP1000097
147217.0	AP1002549
147218.1	AP1002548
147220.0	AP1004886
147232.1	AP1003730
176432.0	AP1001685
176432.1	AP1001685
176432.2	AP1001685
176432.3	AP1004524
176440.0	AP1001636
176440.1	AP1001636
176474.0	AP1001236
176474.1	AP1001236
176475.0	AP1001289
176542.0	AP1001936
176542.1	AP1001936
176544.0	AP1002299
181501.0	AP1003643
211240.0	AP1002121
212759.0	AP1000801
213589.0	AP1000158
214243.0	AP1004821
2150142.0	AP1002677
2150670.0	AP1003131
2158659.0	AP1003215
2158661.0	AP1003216
2158663.0	AP1003220
2210757.0	AP1004504
2227544.0	AP1004522
2227556.0	AP1004407
2227586.0	no AP

PART NUMBER	OPTIBELT AP
2227635.0	no AP
2227658.0	AP1004421
2314600.0	AP1005196
2314602.0	AP1004908
2314628.0	AP1005223
233510.0	no AP
233525.0	AP1002141
233943.1	AP1004413
2403919.0	AP1005110
2405230.0	AP1005264
247430A1	AP1004062
2606179.0	AP1002829
261545.0	AP1001328
310939.0	AP1002563
315972.0	AP1002565
316000.0	AP1003368
317432.1	AP1002550
319904A1	AP1004063
320008.0	AP1002582
324073.0	AP1003727
325728.0	AP1004362
326729.0	AP1004365
327055.0	AP1000100
349579.0	AP1004607
350340.0	AP1002661
350462.0	AP1001680
350517.0	AP1000793
352403.0	AP1001253
353706.0	AP1002640
353706.1	AP1004868
355658.0	AP1001672
360007.0	AP1002508
360009.0	AP1004806
360011.0	AP1004702
360012.0	AP1002428
361787.0	AP1002599
365119.0	AP1004814
376830.1	AP1000269
376846.0	AP1003840
376855.0	AP1004457
376869.0	AP1001209
376894.0	AP1001852
376968.0	AP1001861
378330.0	no AP
410685.0	AP1000094
410690.1	AP1005208
428189.0	AP1004536
428216.0	AP1004642
428232.0	AP1004530
429256.0	no AP
429272.0	no AP
429280.0	no AP
480477.0	AP1004891
481536.0	AP1004403
482122.0	AP1004408
483721.0	AP1004409
483935.0	AP1004399
495008.0	AP1004569
495067.0	AP1001618

PART NUMBER



PART NUMBER	OPTIBELT AP
495067.1	AP1001615
495431.0	AP1005036
500049.0	AP1000920
500273.1	AP1000910
500867.0	AP1000932
501771.0	AP1000944
501802.0	AP1000237
501903.0	AP1000246
503459.0	AP1000383
505022.0	AP1000305
505051.0	AP1004550
505112.0	AP1000292
505113.1	AP1000370
506792.1	AP1000916
507020.0	AP1005139
507278.0	AP1000959
507317.0	AP1000762
507317.1	AP1000762
507508.0	AP1000899
507626.0	AP1000769
507723.0	AP1004034
507908.0	AP1004035
509435.0	AP1005141
528305.0	AP1002128
530142.0	AP1002567
532011.1	AP1000216
538714.1	AP1000230
544032.0	AP1003843
544114.0	AP1003635
544115.0	AP1003635
545174.0	AP1004526
545175.0	AP1004516
545176.0	AP1005235
545176.1	AP1005235
545178.0	AP1001797
545186.1	AP1005199
545187.0	AP1004915
545188.0	AP1004512
545216.0	AP1005186
545306.0	AP1004918
545307.0	AP1002869
545451.0	AP1005031
545668.2	AP1004356
548189.0	AP1004513
549011.0	AP1004410
549055.1	AP1003968
549097.0	AP1004508
549144.0	AP1004443
549151.0	AP1004528
549187.2	no AP
549237.0	AP1001818
549238.0	AP1004253
549752.1	AP1002745
549752.2	AP1002745
554016.0	AP1003846
554031.0	AP1004506
554032.0	AP1003843
554087.0	AP1004508
554098.1	AP1001622

PART NUMBER	OPTIBELT AP
554110.0	no AP
554121.0	no AP
554141.0	AP1004916
554141.1	AP1004916
554150.0	no AP
554172.0	AP1004927
554201.0	AP1005237
554269.0	AP1004538
554279.0	AP1004539
554339.0	AP1004921
554361.0	AP1004610
554365.0	AP1004900
554396.0	AP1004114
555106.0	AP1004363
560690.0	AP1000888
566108.0	AP1003579
567824.0	AP1003340
567824.1	AP1005198
567825.0	AP1003626
568234.0	AP1002512
569528.0	AP1002000
570195.0	AP1003597
570195.1	AP1001594
570195.2	AP1004846
570407.0	AP1002027
570407.1	AP1002027
570827.0	AP1001919
570827.1	AP1001920
572150.0	AP1001240
573443.0	AP1000617
573443.1	AP1000616
577100.0	AP1002033
577101.0	AP1002037
577720.0	AP1001576
577720.1	AP1001576
577721.0	AP1001307
578331.0	AP1001809
578332.0	AP1001891
580166.0	AP1003727
596978.0	no AP
600A702	AP1004475
603013.1	AP1003412
603430.1	AP1000823
610152.1	AP1001033
610830.1	AP1002789
610833.0	AP1005139
610833.1	AP1005139
617001.0	AP1003568
61872.1	AP1004936
622156.0	AP1005132
622156.1	AP1005132
623252.0	AP1000917
623425.1	AP1004441
628175.0	AP1000296
628245.0	AP1004354
628390.0	AP1003355
628432.0	AP1001658
628533.0	AP1000818
628579.1	AP1000862

PART NUMBER	OPTIBELT AP
628779.1	AP1002871
628780.0	AP1000862
628782.0	AP1001320
628784.0	AP1001586
628785.0	AP1001880
628787.0	AP1001955
628788.0	AP1001887
628789.0	no AP
628791.0	AP1003657
628847.0	AP1001214
628888.0	AP1001684
628981.0	AP1000431
629001.1	AP1001934
629110.0	AP1005099
629110.2	AP1005099
629133.0	AP1001935
629133.1	AP1001935
629410.1	AP1002872
629440.2	AP1005099
629441.1	AP1000810
629445.0	AP1000209
629539.1	AP1005259
629580.0	AP1004078
629580.1	AP1004078
629739.0	AP1005138
629739.1	AP1005138
629783.0	AP1005266
629788.0	AP1004938
629791.1	AP1005267
629836.1	AP1003819
630011.0	AP1001129
630043.1	no AP
630169.0	AP1000962
633564.0	AP1004697
634046.0	AP1003419
638037.1	AP1005143
638367.1	AP1004448
639226.0	AP1000260
639226.1	AP1000260
639226.2	AP1000260
639373.0	AP1000924
639417.0	AP1000281
641682	AP1003635
640208.0	AP1002228
644209.2	AP1004843
644362.1	AP1005197
644368.1	AP1000858
644369.1	AP1002873
644391.0	AP1000802
644419.1	AP1000832
644509.0	AP1000718
644514.0	AP1002529
644771.0	AP1005157
644781.1	AP1005209
644891.0	AP1003591
644894.0	AP1003618
644895.0	AP1003645
644896.0	AP1001926
644897.0	AP1003642

PART NUMBER

PART NUMBER	OPTIBELT AP
644898.0	AP1003601
644899.0	AP1000699
644927.0	AP1001054
644928.1	AP1002439
644969.0	AP1001588
653380.1	AP1001032
660314.0	AP1004860
660314.1	AP1004860
660315.0	AP1004846
660382.0	AP1003254
660423.0	AP1005074
660455.0	no AP
660464.0	AP1004666
660488.0	AP1004420
660506.0	no AP
660554.0	AP1004663
660566.0	AP1004422
660569.0	AP1004611
660587.0	AP1004668
660762.1	AP1004505
660811.0	AP1000171
660815.0	AP1004848
660815.1	AP1004848
660821.0	AP1004567
660851.1	AP1004442
660854.0	AP1004380
660894.0	no AP
660961.0	AP1000116
660961.1	AP1005103
660962.0	AP1004358
660965.0	AP1004735
661031.3	AP1001564
661092.0	AP1001238
661128.0	AP1000796
661361.0	AP1000287
661362.2	AP1005038
661378.0	AP1000852
661378.2	AP1000852
661435.0	AP1000688
661458.1	AP1001957
661469.0	AP1000726
661541.0	no AP
664017.0	AP1004452
665010.1	AP1005254
665222.0	no AP
665798.0	AP1004485
665824.0	AP1004624
665825.1	AP1005206
665827.1	AP1005190
665830.0	AP1004486
665832.0	AP1005193
665833.0	AP1005188
665834.0	AP1005100
665865.0	AP1005192
665901.0	AP1004370
665901.1	AP1004371
665957.0	AP1004932
665967.0	AP1005206
665999.0	AP1004055

PART NUMBER	OPTIBELT AP
665999.1	AP1004055
665999.2	AP1004055
666290.0	AP1004468
667219.0	AP1005133
667245.0	AP1000413
667246.0	AP1000384
667248.2	AP1001317
667253.0	AP1001704
667254.0	no AP
667256.0	AP1003598
667452.0	AP1001302
667454.1	AP1002870
667511.0	AP1000347
667682.0	AP1001588
667788.0	AP1001014
667798.0	AP1000307
667798.1	AP1000307
667845.0	AP1003528
667846.0	AP1000593
667858.0	AP1001703
667947.1	AP1004537
667981.0	AP1001589
667981.1	AP1001589
667993.1	no AP
668619.0	AP1002644
670723.1	AP1005241
670724.0	AP1001672
670724.1	AP1001672
670751.0	AP1005189
670752.0	AP1004518
670768.0	AP1004353
670768.1	AP1004353
670796.0	AP1004440
670835.0	AP1004113
670844.0	AP1005234
670999.0	AP1003979
670999.2	AP1004795
672350.1	AP1001795
672359.1	AP1000477
673639.1	AP1001114
691381.0	AP1001278
707001.1	AP1000426
712386.0	AP1000001
712419.0	AP1005329
712419.2	AP1005329
720607.0	AP1000457
720607.1	AP1000457
720696.1	no AP
721295.0	AP1003401
722107.0	AP1002278
724043.0	AP1000236
724193.0	AP1000254
733308.0	AP1000483
733309.0	AP1000895
733311.0	AP1000620
733361.0	no AP
742023.0	AP1003629
742024.0	AP1002876
742026.1	AP1003800

PART NUMBER	OPTIBELT AP
742027.0	AP1004418
742028.0	AP1000259
742030.0	AP1004120
742131.1	AP1000334
742143.0	AP1000394
742162.0	AP1003385
742182.0	AP1001340
742206.0	AP1000277
744833.0	AP1001961
744833.1	AP1001963
744874.1	AP1004797
744913.0	AP1000376
744963.0	AP1003845
744965.1	AP1004897
744979.0	AP1004432
746505.0	AP1002272
746507.0	AP1000446
746508.3	AP1000266
746509.0	AP1000450
746550.0	AP1004788
747508.0	AP1000266
749701.0	AP1000167
749813.0	AP1001861
749817.0	AP1000436
749819.0	AP1002521
749824.0	AP1002438
749886.0	AP1003657
749914.0	AP1000720
749951.0	AP1001518
750192.0	AP1000451
750382.0	AP1003756
750382.1	AP1003756
750382.2	AP1003756
755070.2	AP1002795
756446.0	AP1003613
756474.0	AP1001078
758662.1	AP1000240
760869.0	AP1002648
760870.0	AP1002434
760870.1	AP1002434
761411.1	AP1002971
761412.0	AP1002567
761534.0	AP1002507
761979.0	no AP
768125.0	AP1000034
768457.0	AP1004738
769005.0	AP1001019
769202.0	AP1005143
769202.1	AP1005143
772647.1	AP1000485
773015.0	AP1004908
773298.0	AP1005194
781038.0	AP1001020
781047.0	AP1000888
781394.0	AP1002070
781399.0	AP1000300
781400.0	AP1000278
782209.0	AP1004445
783476.0	AP1004301

PART NUMBER



PART NUMBER	OPTIBELT AP
785168.2	AP1002318
785169.0	AP1000437
785170.0	AP1000451
785172.0	AP1000290
785172.1	AP1000290
785173.0	no AP
785174.1	AP1001056
785175.0	AP1005144
790461.0	no AP
790502.0	AP1000355
791307.0	AP1001009
791717.0	AP1003192
796343.0	AP1001194
796344.0	AP1003797
796719.0	AP1002567
796728.0	AP1003727
798779.0	AP1003946
800306.0	AP1000514
801491.0	AP1000942
801680.0	AP1000349
802530.0	AP1000302
808761.0	AP1001347
821249.0	AP1000105
821813.0	AP1000102
822597.0	no AP
825944.0	AP1000176
827808.0	AP1004366
827809.0	AP1004832
829080.0	AP1002806
837192.0	AP1000155
837195.0	AP1003368
837543.0	AP1000099
837546.0	AP1000172
837828.0	AP1000113
838227.0	AP1003756
847959.0	AP1004831
854132.0	AP1000112
895105.0	AP1000938
901573.0	AP1002988
905037.0	AP1004912
906561.0	AP1001300
906736.0	AP1001987
906736.1	AP1001987
916529.1	AP1000148
916532.1	AP1001893
917533.0	AP1001555
922188.0	AP1002799
922518.0	AP1004394
922519.0	AP1003389
922589.0	AP1000325
927323.1	AP1004456
927654.0	AP1000602
934301.0	AP1000254
934417.2	AP1003531
934418.1	AP1003536
934418.2	AP1000687
934862.0	AP1002765
936409.0	AP1003440
936718.0	AP1002800

PART NUMBER	OPTIBELT AP
936823.1	AP1002765
937031.0	AP1005135
937605.0	AP1002813
937997.0	AP1000238
938171.0	AP1000309
938171.2	AP1002803
938486.0	AP1000313
938931.0	AP1000322
939297.0	AP1003036
940490.0	AP1002181
943239.0	AP1000230
947112.0	AP1002812
947916.0	AP1003750
947916.1	AP1003750
949396.0	AP1000214
949668.0	AP1003311
949670.0	AP1002815
949888.0	AP1002772
950133.0	AP1003449
950327.0	AP1000314
950864.0	AP1000336
950890.0	AP1001931
951457.0	AP1000233
951654.0	AP1002813
951654.1	AP1002813
951655.0	AP1002818
951655.1	AP1004400
951889.0	AP1000281
951917.0	AP1002797
952578.0	AP1000288
952937.0	AP1002820
952937.1	AP1002820
953002.8	AP1000460
976299.0	AP1003415
977505.1	AP1004780
977506.1	AP1004771
980850.0	AP1001801
980851.0	AP1001829
980852.0	AP1001805
980852.1	AP1001805
980853.0	AP1002877
982376.0	AP1000644
982376.1	AP1000644
984885.1	AP1001810
985517.0	AP1001804
986390.0	AP1001942
986700.1	AP1001847
A0139973592	AP1004463
AN1462.0	AP1003643
AN6461.0	AP1004113
E040T08	AP1004022
V011532.0	AP1004635
V209702.0	no AP
V209707.0	AP1004667
V2714110	no AP
506880.0	AP1000901
506940.0	AP1000934
624131.0	AP1000194
750296.0	AP1000198

PART NUMBER	OPTIBELT AP
750624.0	AP1000197
756051.0	AP1000596
801221.0	AP1004103
756059.0	AP1000889
772657.0	AP1000619
772657.1	AP1000619
775698.0	AP1000272
800309.0	AP1000288
506023.0	AP1000928
801222.0	AP1000336
750294.0	AP1000251
751112.0	AP1001161
772658.0	AP1000935
772660.0	AP1000936
773313.0	AP1000480
774100.0	AP1000517
061700.1	AP1003356
603017.0	AP1000833
603017.2	AP1000833
629279.0	AP1001936
629002.0	AP1003395
629002.1	AP1003395
629908.0	AP1002332
629908.1	AP1002332
629763.0	AP1003593
629000.1	AP1003661
644141.0	AP1000476
644141.1	AP1000476
670224.1	AP1001158
603017.3	AP1000833
692149.0	AP1001852
692150.0	AP1001857
671013.1	AP1000676
713506.0	AP1000315
713506.1	AP1000315
713506.2	AP1000315
603380.0	AP1001080
603380.1	AP1001080
609762.0	AP1001713
506671.0	AP1000506
506671.1	AP1000506
506671.2	AP1000506
640653.1	AP1000350
644014.0	AP1002319
644014.1	AP1002319
644015.1	AP1002913
644016.0	AP1001800
644016.1	AP1001800
064168.0	AP1003635
064168.1	AP1003635
064168.2	AP1003635
233843.1	AP1000237
061701.1	AP1000790
061701.2	AP1000790
061872.0	AP1002867
061700.0	AP1003356
603247.1	AP1003626
628630.0	AP1001208
644177.0	AP1001221

PART NUMBER

PART NUMBER	OPTIBELT AP
680334.0	AP1001819
680334.1	AP1001819
783430.0	AP1000238
783430.1	AP1000238
695610.0	no AP
644017.1	AP1001236
695610.1	no AP
644017.0	AP1001236
644018.1	AP1001243
633030.0	AP1000220
661092.1	AP1001238
633030.2	AP1000220
661093.0	AP1001581
644403.0	AP1001247
603430.0	AP1000823
644419.0	AP1000832
629142.0	AP1001954
644267.0	AP1000243
233839.2	AP1000226
644418.0	AP1001212
644418.1	AP1001212
661429.0	AP1001212
661345.0	AP1000160
661245.0	AP1003377
501925.0	AP1003449
802931.0	AP1003456
687046.0	AP1000323
750288.0	AP1000339
750288.1	AP1000339
133528.0	AP1002560
133640.0	AP1003746
133630.0	AP1002961
133630.1	AP1002961
633030.1	AP1000220
687046.1	AP1000323
661430.0	AP1001229
644448.0	AP1000139
778717.1	AP1004307
702509.0	AP1001090
702536.0	AP1001200
778561.0	AP1001038
778717.0	AP1004307
610830.0	AP1002789
703314.0	AP1000296
706087.0	AP1000365
706829.0	AP1000524
720695.0	AP1000734
720696.0	AP1000467
720866.0	AP1003607
721306.0	AP1002276
721307.0	AP1002277
774099.0	AP1000511
618123.0	AP1000284
060306.2	AP1000723
060306.3	AP1000723
629732.2	AP1000417
670224.0	AP1001158
672353.0	AP1000809
629000.0	AP1003661

PART NUMBER	OPTIBELT AP
629001.0	AP1001934
673614.0	AP1001566
672358.0	AP1000662
629036.0	AP1000515
629214.0	AP1002317
769202.0	AP1005143
769202.1	AP1005143
671209.0	AP1001039
629081.0	AP1000755
629081.1	AP1000755
629732.0	AP1000415
060306.0	AP1000723
061253.0	AP1000873
629035.0	AP1001289
629510.0	AP1003634
629510.1	AP1003634
629214.1	AP1002317
629732.1	AP1000416
603378.0	AP1003389
689175.0	AP1003391
621903.0	AP1002041
621903.1	AP1002041
672351.0	AP1001570
640653.0	AP1000350
623427.1	AP1000409
629441.0	AP1000810
603033.0	AP1003619
603341.0	AP1003328
133549.0	AP1003727
133549.1	AP1003727
685693.0	AP1003773
629410.0	AP1002872
061360.0	AP1000870
061360.1	AP1000870
629366.1	AP1001821
603354.0	AP1001844
661220.0	AP1003340
661220.1	AP1003340
644405.1	AP1001941
644405.2	AP1001941
661114.0	AP1002336
660409.0	AP1001575
644404.0	AP1003354
644404.1	AP1003354
644447.0	AP1000420
671013.0	AP1000674
661301.0	AP1000840
661301.1	AP1000840
623427.0	AP1000410
783876.0	AP1002091
821734.2	AP1000154
629764.0	AP1000097
657793.0	AP1000107
661244.0	AP1000125
061214.0	AP1000868
061353.0	AP1000870
061353.1	AP1000870
609823.0	AP1001225
661298.0	AP1001630

PART NUMBER	OPTIBELT AP
629769.0	AP1002699
629769.1	AP1002699
603290.0	AP1000764
629836.0	AP1000746
673638.0	AP1001099
609822.0	AP1004575
755070.0	AP1002795
544049.0	AP1001939
755070.1	AP1002795
066034.0	AP1000302
785341.0	AP1000295
661337.0	AP1000845
661337.1	AP1000845
544049.1	AP1001561
644209.0	AP1000699
644209.1	AP1004843
644015.0	AP1002913
603015.1	AP1001503
644018.0	AP1001243
656028.0	AP1003335
544083.0	AP1001968
644539.0	AP1000871
644538.0	AP1001655
545689.0	AP1003332
644537.0	AP1000140
724141.0	AP1000709
349065.0	AP1002050
061902.0	AP1000851
724247.0	AP1000849
724247.1	AP1000849
785176.0	AP1000389
644465.0	AP1003630
661458.0	AP1001957
644369.0	AP1002873
661031.1	AP1001564
635494.0	AP1000382
635494.1	AP1000382
061213.0	AP1000860
061361.0	AP1000861
147233.1	AP1002575
661378.1	AP1000852
661031.0	AP1001564
661362.0	AP1001951
661362.1	AP1001951
661451.0	AP1001958
544166.0	AP1003360
544164.0	AP1001969
545668.1	AP1000119
133635.1	AP1002958
133642.0	AP1003772
133635.0	AP1002958
661239.1	AP1001244
644368.0	AP1000858
661239.0	AP1001244
644399.0	AP1000855
667238.0	AP1000693
661427.0	AP1001228
545954.0	AP1002646
796998.0	AP1003945

PART NUMBER



PART NUMBER	OPTIBELT AP
544172.0	AP1001745
724101.0	AP1001682
724179.0	AP1003423
724180.0	AP1003615
724301.0	AP1000648
724301.1	AP1000648
724168.0	AP1000624
724339.0	AP1000630
629756.0	AP1001209
671083.0	AP1003588
724248.1	AP1000849
061878.0	AP1000824
767057.0	AP1003333
724248.0	AP1000848
603015.0	AP1001503
603247.0	AP1003626
724100.0	AP1001907
783268.1	AP1002055
147227.0	AP1003722
147228.1	AP1002283
603122.0	AP1001116
603284.0	AP1000507
056961.0	AP1000117
603283.0	AP1000669
603048.0	AP1000503
629436.0	AP1001630
629737.0	AP1001511
724181.0	AP1001679
509435.0	AP1005141
062043.0	AP1000843
133523.0	AP1002551
673625.0	AP1001793
603427.0	AP1001627
603317.0	AP1001515
560562.0	AP1001101
532011.0	AP1000216
673601.0	AP1000512
673639.0	AP1000963
673690.0	AP1000558
673690.1	AP1000558
060949.0	AP1000863
060949.1	AP1000863
671015.0	AP1001287
544048.0	AP1001933
758662.0	AP1000240
758719.0	AP1003405
750284.0	AP1000891
750316.0	AP1000454
772659.0	AP1000937
123306A1	AP1002307
943227.0	AP1000224
211148.0	AP1002114
211148.1	AP1002114
070310.1	AP1000380
070953.1	AP1002020
750193.1	AP1003399
750193.2	AP1003399
659025.0	AP1000094
072110.0	AP1001182

PART NUMBER	OPTIBELT AP
176543.1	AP1001793
634019.0	AP1002792
634019.1	AP1002792
634019.2	AP1002792
073202.1	AP1002012
073203.0	AP1001810
073203.1	AP1001810
073199.0	AP1002004
073201.1	AP1002004
133641.0	AP1002596
602387.1	AP1002584
073204.0	AP1001183
073204.1	AP1001183
073202.0	AP1002012
073201.0	AP1002004
602387.0	AP1002584
070952.0	AP1001264
070952.1	AP1001264
070952.2	AP1001264
176543.0	AP1001793
074803.0	AP1001266
074803.1	AP1001266
074803.2	AP1001266
074771.0	AP1001267
074771.1	AP1001267
074771.2	AP1001267
063309.0	AP1002003
063285.0	AP1001245
063940.0	AP1000580
062294.0	AP1001351
981678.0	AP1001547
667560.0	AP1002597
667560.1	AP1002597
077796.0	AP1001314
077797.0	AP1001270
512087.0	AP1002588
052393.1	AP1004358
077400.0	AP1000282
077276.0	AP1000177
076403.1	AP1001186
067745.0	AP1001271
067289.0	AP1004700
067290.0	AP1004463
142232.0	AP1003950
067789.0	AP1001292
984885.0	AP1001810
987883.0	AP1001943
067746.0	AP1001315
721211.0	AP1000115
067747.0	AP1001325
067747.1	AP1001325
667248.0	AP1001317
667248.1	AP1001317
742025.0	AP1000650
667947.0	AP1001633
667680.0	AP1003353
667681.0	AP1001583
667981.2	AP1001588
667252.0	AP1003602

PART NUMBER	OPTIBELT AP
667683.0	AP1000738
644771.0	AP1005157
667454.0	AP1002870
667249.0	AP1003591
667651.0	AP1001706
667477.0	AP1000387
667242.0	AP1000225
667673.0	AP1002549
667973.0	AP1000340
667974.0	AP1000411
667561.1	AP1000168
667934.0	AP1001645
667957.0	AP1000320
667457.0	AP1001079
667251.0	AP1003601
667251.1	AP1003601
667683.1	AP1000738
667551.0	AP1000867
667958.2	AP1003598
667255.0	AP1003357
667255.1	AP1003357
352371.0	AP1001982
352371.1	AP1001982
667250.0	AP1001586
667958.3	AP1001593
667551.1	AP1000867
667530.1	AP1001163
667684.0	AP1000595
509035.0	AP1000430
509035.1	AP1000430
644902.0	AP1001639
644843.0	AP1004358
829094.0	AP1000245
539443.0	no AP
796475.0	AP1003215
796450.0	AP1003969
667551.2	AP1000867
667456.0	AP1002554
667530.0	AP1001163
667458.0	AP1003642
742026.0	AP1000328
176442.0	AP1003641
176442.1	AP1003641
644781.0	AP1005209
667453.0	AP1003350
765985.0	AP1002287
796474.0	AP1003217
749828.0	AP1001681
350463.0	AP1001665
749886.1	AP1001928
667881.0	AP1001320
644685.0	AP1003359
644685.1	AP1003359
749712.0	AP1003611
667891.0	AP1001013
667798.2	AP1000310
667427.0	AP1001839
667983.0	AP1003645
667554.0	AP1001926

PART NUMBER

PART NUMBER	OPTIBELT AP
667891.1	AP1001012
644966.0	AP1001823
644889.0	AP1001658
644890.0	AP1001664
644866.0	AP1003618
761979.1	AP1002668
644942.0	AP1001385
644892.0	AP1001860
355696.0	AP1004835
746508.1	AP1000266
798820.0	AP1003158
628991.0	AP1000433
580157.0	AP1003812
584627.0	AP1002652
584627.1	AP1002652
746506.0	AP1002784
796786.0	AP1003220
628964.1	AP1002687
743910.1	AP1003202
667452.1	AP1001302
628978.0	AP1001670
756466.0	AP1003613
628792.0	AP1001834
749895.0	AP1001828
667367.0	AP1002582
744785.0	AP1000326
744965.0	AP1004897
628847.1	AP1001213
644961.0	AP1001930
644884.0	AP1001321
644885.0	AP1001825
744873.0	AP1001338
644965.0	AP1003641
644893.0	AP1003602
661425.0	AP1000357
628579.0	AP1000862
628779.0	AP1002871
744870.0	no AP
749859.0	AP1001974
744874.0	AP1000088
610197.0	AP1000903
500863.0	AP1000902
551068.0	AP1000925
630144.0	AP1000965
610196.0	AP1001029
610835.0	AP1001031
653121.0	AP1001030
617309.2	AP1000954
610833.0	AP1005139
630025.0	no AP
636021.0	AP1000882
636021.1	AP1000883
630156.0	AP1000980
544114.1	AP1003635
544147.0	AP1000727
653060.0	AP1003653
653059.0	AP1000960
653062.0	AP1000964
653064.0	AP1000968

PART NUMBER	OPTIBELT AP
653063.0	AP1003572
653120.0	AP1000929
653450.0	AP1002137
653933.0	AP1002119
653779.0	AP1000908
655408.0	AP1001527
653380.0	AP1001032
654534.0	AP1000913
770214.0	AP1000897
779214.0	AP1000452
779272.0	AP1000459
780419.0	AP1000885
551190.0	AP1000933
758853.0	AP1000456
758854.0	AP1000449
779212.0	AP1000486
779213.0	AP1000482
505143.1	AP1000513
505143.0	AP1000513
503969.0	AP1000956
507020.0	AP1005139
509206.0	AP1000519
631904.0	AP1001162
654013.0	AP1002233
630118.0	AP1000959
554017.0	AP1003974
549099.0	AP1003966
644362.0	AP1001077
644362.1	AP1005197
544216.0	AP1003967
544216.1	AP1003967
629402.0	AP1000409
799181.0	AP1003189
549752.0	AP1002745
538714.0	AP1000230
549055.0	AP1003968
2227662.0	AP1000421
2314600.0	AP1005196
2314602.0	AP1004908
2599606.0	AP1003799
545189.0	AP1004513
660504.0	AP1001939
773015.0	AP1004908
9842161	AP1005295
47406281	AP1005300
47406748	AP1005279
47424853	AP1005292
47451475	AP1005258
47455617	AP1005293
47499747	AP1005218
47554216	AP1005123
47564638	AP1005125
47700254	AP1005301
47700255	AP1005313
47705826	AP1005072
47732166	AP1005227
47907813	AP1005244
48093960	AP1005121
71453905	AP1005217

PART NUMBER	OPTIBELT AP
84056168	AP1004266
84247607	AP1002614
84312027	AP1005294
84352375	AP1005296
84363681	AP1003933
84375965	AP1002668
84548651	AP1001614
84817640	AP1005124
87485645	AP1004907
87676816	AP1005299
87714971	AP1005297
DEUTZ-FAHR	
01141613	AP1001749
1116131	AP1005145
1139214	AP1002452
1139215	AP1002453
1139219	AP1002468
1139222	AP1002483
1139250	AP1005142
1141502	AP1001748
1141624	AP1003618
1141625	AP1001727
1141637	AP1001440
1141762	AP1001092
1141888	AP1004549
1142840	AP1001383
1145064	AP1001069
1145334	AP1001156
1145457	AP1001810
1145458	AP1001888
1145459	AP1001981
1145590	AP1001008
1145626	AP1001459
1145628	AP1001311
1145632	AP1001750
1145660	AP1001994
1145668	AP1002509
1145680	AP1001298
1145689	AP1002017
1145690	AP1001925
1145693	AP1004736
1145726	AP1001464
1145750	AP1001752
1145751	AP1001927
1145789	AP1004414
1145802	AP1001465
1146033	AP1001744
1146076	AP1004922
1148874	AP1002661
1154311	AP1002589
1154352	AP1002529
1154357	AP1002547
1168314	AP1000054
1168325	AP1002556
1174974	AP1001903
1176330	AP1002562
1178461	AP1004705
1178685	AP1004724

PART NUMBER



PART NUMBER	OPTIBELT AP
1178737	AP1002532
1179088	AP1002531
1179479	AP1002532
1179564	AP1002465
1179565	AP1002460
1179777	AP1002452
1179988	AP1002455
1180150	AP1002547
1180172	AP1002539
1180468	AP1002529
1180516	AP1003722
1180517	AP1002584
1180553	AP1002738
1180619	AP1002537
1180833	AP1004876
1180847	AP1004851
1180848	AP1002521
1181185	AP1003713
1181366	AP1002466
1182063	AP1002537
1182339	AP1002500
1182429	AP1002500
1182499	AP1002444
1182599	AP1003172
1183205	AP1002531
2231579	AP1002460
2235176	AP1002483
2235255	AP1002490
2235421	AP1002498
2419104	AP1002985
3170529	AP1000708
3170537	AP1004844
3651575	AP1001806
4305745	AP1002525
4325871	AP1002512
4343181	AP1002556
4435634	AP1002432
4437559	AP1002586
4437560	AP1004935
4438414	AP1002593
4450657	AP1002951
4452089	AP1003781
4452440	AP1002736
4452801	AP1002521
4455177	AP1003713
4455253	AP1003105
6204307	AP1001176
6204311	AP1001937
6204313	AP1001200
6212834	AP1003059
6212847	AP1002465
6212850	AP1002475
6212851	AP1002478
6212852	AP1002483
6215206	AP1001106
6215207	AP1001002
6215208	AP1001441
6215211	AP1001197
6215212	AP1001201

PART NUMBER	OPTIBELT AP
6215226	no AP
6215261	AP1001964
6225210	no AP
6241305	AP1002917
6259006	AP1001155
6273876	AP1001440
16006626	no AP
16015922	AP1001613
16015923	AP1003664
16024474	AP1004579
16026321	AP1001290
16029939	AP1002607
16031403	AP1001297
16031404	AP1001138
16031538	AP1001603
16039033	AP1004544
16042133	AP1001239
16055471	AP1004655
16061769	AP1004840
16062265	AP1004585
16062735	AP1004641
16062737	AP1004541
16062738	AP1003981
16062763	AP1002539
16062841	AP1004379
16062842	AP1000302
16062883	AP1004914
16062884	AP1002541
16062885	AP1004540
16063211	AP1004930
16064323	no AP
16617104	AP1002405
33700746	AP1000755
36200413	AP1000700
890009466056	AP1004928
0.017.4868.0	AP1000230
0.017.7465.0	AP1004854
0.017.9350.0	AP1002055
0.018.1907.0	AP1004857
0.018.1930.0	AP1004593
0.018.3550.0	AP1004831
0.018.9044.0	AP1001724
0.018.9690.0	AP1003980
0.0183111.0	AP1000039
01100903	AP1000305
01104054	AP1000887
01116060	AP1000094
01116062	AP1000098
01116063	AP1000100
01116080	AP1000196
01116089	AP1000217
01116091	AP1000224
01116092	AP1000230
01116093	AP1000243
01116094	AP1000257
01116095	AP1000288
01116096	AP1000296
01116097	AP1000336
01116113	AP1000492

PART NUMBER	OPTIBELT AP
01116114	AP1000494
01116131	AP1005145
01129779	AP1003401
1129780	AP1003449
01129970	AP1002247
01130742	AP1003431
01136717	AP1000249
01136724	AP1000514
01136729	AP1000924
01136731	AP1000952
01136734	AP1002050
01136747	AP1002240
01137509	AP1000235
01139068	AP1000351
01139070	AP1003478
01139071	AP1000505
01139073	AP1000521
01139074	AP1000522
01139076	AP1000525
01139078	AP1000530
01139079	AP1000602
01139080	AP1000623
01139081	AP1003519
01139082	AP1000709
01139083	AP1000738
01139084	AP1000755
01139085	AP1000784
01139086	AP1000797
01139088	AP1000864
01139089	AP1000902
01139090	AP1000926
01139091	AP1003568
01139092	AP1000943
01139093	AP1000948
01139204	AP1002257
01139205	AP1002275
01139206	AP1002278
01139207	AP1002111
01139209	AP1002232
01139210	AP1003312
01139213	AP1002260
01139224	AP1004752
01139227	AP1002045
01139228	AP1004884
01139230	AP1004885
01139231	AP1002051
01139232	AP1002055
01139234	AP1002065
01139235	AP1002080
01139237	AP1002081
01139240	AP1002152
01139241	AP1002193
01139242	AP1002200
01139243	AP1000438
01139244	AP1000439
01139245	AP1000442
01139246	AP1000443
01139247	AP1000445
01139248	AP1000448

PART NUMBER

PART NUMBER	OPTIBELT AP
01139250	AP1005142
01139251	AP1000469
01139252	AP1000545
01139253	AP1002210
01139254	AP1002215
01139256	AP1002230
01139258	AP1002245
01139259	AP1002246
01139260	AP1002251
01139300	AP1002061
01139301	AP1000779
01139634	AP1002106
01141373	AP1000675
01141503	AP1001698
01141530	AP1000435
01141554	AP1000535
01141555	AP1004755
01141556	AP1002117
1141595	AP1002907
1141608	AP1001637
1141622	AP1003355
1141623	AP1002239
1141626	AP1000697
1141642	AP1002108
1141643	AP1000735
1141644	AP1000812
1141666	AP1000794
1141758	AP1000694
1141765	AP1000366
1141770	AP1000639
1141788	AP1000258
1141789	AP1003462
1141792	AP1001807
1141798	AP1005147
1141801	AP1002101
1141816	AP1001630
1141818	AP1002100
1141819	AP1001644
1141823	AP1000772
1141840	AP1000356
1141850	AP1000398
1141882	AP1000654
1141894	AP1000706
1141917	AP1000659
1141918	AP1001650
1141938	AP1000615
1141958	AP1000682
1142150	AP1003536
1143410	AP1003415
1143412	AP1002909
1143497	AP1000398
1145003	AP1000346
1145026	AP1001541
1145047	AP1000240
1145051	AP1004425
1145052	AP1000350
1145053	AP1000434
1145054	AP1000427
1145055	AP1000825

PART NUMBER	OPTIBELT AP
1145143	AP1003355
1145186	AP1000764
1145203	AP1000657
1145211	AP1000768
1145214	AP1000308
1145215	AP1000324
1145216	AP1000354
1145218	AP1000408
1145226	AP1001657
1145260	AP1001612
1145262	AP1001595
1145263	AP1000407
1145318	AP1002046
1145330	AP1001636
1145335	AP1000847
1145348	AP1004854
1145367	AP1000091
1145368	AP1004565
1145374	AP1001541
1145449	AP1000635
1145461	AP1000685
1145462	AP1003532
1145465	AP1001164
1145475	AP1000689
1145481	AP1000780
1145484	no AP
1145504	AP1000683
1145505	AP1000671
1145625	AP1000254
1145627	AP1004658
1145630	AP1004139
1145631	AP1000295
1145633	AP1000799
1145640	AP1001734
1145667	AP1001622
1145685	AP1000293
1145697	AP1000393
1145699	AP1000564
1145703	AP1004545
1145725	AP1002854
1145738	AP1000629
1145766	AP1004902
1145782	AP1000273
1145790	AP1000240
1145792	AP1000770
1145823	AP1002090
1145877	AP1004543
1145884	AP1000685
1145921	AP1000042
1145922	AP1000855
1145937	AP1002914
1145940	AP1002844
1145949	AP1000776
1145959	AP1000251
1145960	AP1005134
1145961	AP1001821
1145970	AP1000043
1145973	AP1002761
1145977	AP1000268

PART NUMBER	OPTIBELT AP
1145980	AP1004507
1145989	AP1000331
1145990	AP1000560
1145991	AP1004093
1146013	AP1000301
1146027	AP1004436
1146032	AP1001742
1146045	AP1004419
1160990	AP1002459
1162717	AP1002526
1163087	AP1000029
1168304	AP1002457
1169885	AP1002448
1169889	AP1002537
1179132	AP1000545
1180447	AP1001041
1180448	AP1001042
1180450	AP1001045
1180913	no AP
1181260	AP1001044
1181730	AP1000981
1181748	AP1004312
1181768	AP1004313
1182044	no AP
1182600	AP1004312
1182726	AP1004688
1182727	AP1004688
1182767	AP1004318
1183002	AP1004938
1183146	AP1004934
1183152	AP1004688
1183156	AP1004315
1183157	AP1004938
1231688	AP1000813
1183387	AP1005055
1183397	AP1004938
1183511	AP1005057
1231696	AP1000819
1231697	AP1000838
1339252	AP1003484
1397518	AP1002102
1397596	AP1000581
1397776	AP1004883
1397850	AP1000224
1445465	no AP
2929933	no AP
2931480	no AP
3210969	AP1000540
4437549	AP1001050
4437867	no AP
4439434	no AP
4453084	AP1000981
6204283	AP1000044
6204284	AP1002057
6204285	AP1002069
6204286	AP1002071
6204287	AP1002067
6204288	AP1002075
6204289	AP1000509

PART NUMBER



PART NUMBER	OPTIBELT AP
6204291	AP1000652
6204295	AP1000529
6204296	AP1000978
6204297	AP1000979
6204300	AP1000444
6204304	AP1000880
6204305	AP1000440
6204310	AP1003477
6204314	AP1002163
6204315	AP1000464
6204317	AP1000462
6204318	AP1000475
6204322	AP1000906
6204324	AP1002177
6204325	AP1000455
6204326	AP1000471
6204327	AP1000474
6204329	AP1000479
6204331	AP1002127
6204332	AP1000961
6204333	AP1000958
6204334	AP1003605
6204335	AP1000957
6210851	AP1000682
6210853	AP1000406
6210869	AP1003377
6210870	AP1004108
6210874	AP1000190
6210880	AP1000199
6210881	AP1000201
6210889	AP1000237
6210890	AP1003410
6210894	AP1000261
6210904	AP1000313
6210906	AP1000318
6210912	AP1000330
6210913	AP1000331
6210915	AP1000339
6210916	AP1005136
6210917	AP1000343
6210918	AP1000344
6210919	AP1000349
6210921	AP1000356
6210923	AP1000364
6210924	AP1000370
6210925	AP1000375
6210927	AP1000390
6210929	AP1000418
6210930	AP1000428
6210932	AP1000493
6210934	AP1000496
6210938	AP1000497
6210939	AP1000498
6210941	AP1000499
6210943	AP1000502
6210947	AP1003479
6210951	AP1000510
6210953	AP1000513
6210954	AP1000516

PART NUMBER	OPTIBELT AP
6210955	AP1000517
6210957	AP1000518
6210960	AP1000523
6210963	AP1000526
6210969	AP1000540
6210970	AP1000548
6210971	AP1003492
6210973	AP1000584
6210975	AP1000599
6210977	AP1003504
6210978	AP1000596
6210981	AP1005145
6210984	AP1003516
6210986	AP1000632
6210988	AP1000646
6210989	AP1000647
6210990	AP1000654
6210991	AP1000660
6210992	AP1000670
6210993	AP1003531
6210994	AP1004120
6210996	AP1003536
6210997	AP1000702
6210999	AP1000724
6211001	AP1000751
6211003	AP1000763
6211004	AP1000769
6211006	AP1000779
6211009	AP1000814
6211010	AP1000826
6211014	AP1000879
6211016	AP1000884
6211019	AP1000889
6211020	AP1000890
6211023	AP1000892
6211024	AP1000896
6211025	AP1000897
6211026	AP1000899
6211027	AP1000901
6211031	AP1000907
6211032	AP1000914
6211033	AP1000920
6211034	AP1000923
6211041	AP1000944
6211042	AP1000945
6211043	AP1000947
6211046	AP1000951
6211053	AP1000893
6212828	AP1004754
6212833	AP1002103
6212839	AP1002258
6212840	AP1002259
6212842	AP1002261
6212843	AP1002262
6212845	AP1002264
6212855	AP1002279
6212866	AP1002049
6212870	AP1004886
6212871	AP1002055

PART NUMBER	OPTIBELT AP
6212872	AP1002055
6212874	AP1002059
6212883	AP1002077
6212885	AP1002078
6212890	AP1002083
6212894	AP1002093
6212895	AP1002105
6212896	AP1002109
6212900	AP1000245
6212907	AP1002199
6212909	AP1000437
6212915	AP1000447
6212918	AP1000461
6212919	AP1000463
6212924	AP1002211
6212925	AP1002220
6212927	AP1003314
6212932	AP1003688
6212933	AP1002235
6214290	AP1000531
6215191	AP1001035
6215192	AP1001036
6215193	AP1001037
6215194	no AP
6215218	no AP
6215219	AP1000977
6215225	no AP
6215228	AP1004494
6215231	AP1001638
6215234	AP1001696
6215235	AP1001699
6215236	AP1001679
6215238	AP1001628
6215239	AP1001601
6215240	AP1003337
6215241	AP1001691
6215242	AP1001686
6215243	AP1003616
6215248	AP1001901
6215249	AP1004576
6215251	AP1004580
6215254	AP1001810
6228207	AP1002098
6235567	AP1002228
6240407	AP1004845
6241147	AP1000468
6241910	AP1002229
6242124	AP1005142
6254069	AP1000453
6254070	AP1000441
6255583	AP1002910
6256381	AP1000306
6256546	AP1002759
6256547	AP1000313
6256619	AP1000328
6256714	AP1002763
6257897	AP1000854
6257898	AP1000688
6273236	AP1000736

PART NUMBER

PART NUMBER	OPTIBELT AP
6273237	AP1000811
6298998	AP1002067
6301463	AP1003316
06528420	no AP
06580049	AP1002096
06580119	AP1002094
089-000946-6.056	AP1004928
11 0464	no AP
114291.3	AP1002988
16062737/10	AP1004853
16062737/20	AP1004542
16062737/30	AP1004853
1-99-51021	AP1004496
1-99-51995	AP1004183
1-99-71575	AP1004596
2.4119.203.0	AP1004811
2.4119.204.0	AP1004832
2.4119.205.0	AP1004812
2.4119.206.0	AP1005056
2.4119.207.0	AP1004883
2.4119.208.0	AP1003401
2.4119.210.0	AP1004385
2.4119.211.0	AP1000142
2.4119.213.0	AP1001724
2.4119.214.0	AP1005053
2.4119.215.0	AP1005054
317-0537	AP1004844
4454180	AP1002632
9351.0176.00	AP1004018
T040H02	AP1001736
X221765	AP1004813
6240268	AP1001372
1139231	AP1002051
6215196	AP1001064
6215199	AP1001071
1139218	AP1002465
1139221	AP1002478
6215222	AP1001223
6215217	AP1001157
6215237	AP1003655
6215197	AP1001066
6215220	AP1001222
6215213	AP1001519
6215250	AP1001833
2235179	AP1002460
2235180	AP1002462
2235533	AP1002482
2235254	AP1002483
6215221	AP1001227
1100903	AP1000305
1139216	AP1002458
1139204	AP1002257
1139242	AP1002200
1139258	AP1002245
1139259	AP1002246
1139260	AP1002251
1141613	AP1001749
1141645	AP1003620
1136747	AP1002240

PART NUMBER	OPTIBELT AP
2234343	AP1002485
6285949	AP1001916
6215205	AP1001100
6215204	AP1001097
6215216	AP1001522
6215214	AP1001517
6215258	AP1001912
6215253	AP1001843
6215245	AP1001763
6210922	AP1005139
6215255	AP1003331
6215257	AP1005090
6215202	AP1001420
6215203	AP1001094
2235532	AP1002482
1139233	AP1002558
6215257	AP1005090
6215209	AP1001472
6215262	AP1002022
1141591	AP1001902
1141971	AP1001224
6215244	AP1001787
1141820	AP1001067
1141912	AP1003631
1141909	AP1001909
1141944	AP1001226
6215223	AP1001223
1141615	AP1003624
2235177	AP1002487
1141941	AP1001865
1141749	AP1001738
2235713	AP1002451
1141510	AP1002013
6215195	AP1001062
1139217	AP1002459
2235175	AP1002478
2235178	AP1002459
1139220	AP1002475
2235531	AP1002475
6215215	AP1001520
1139067	AP1000316
1145261	AP1001827
1145224	AP1001072
1145331	AP1001075
1145050	AP1001917
1145097	AP1001073
1145202	AP1001075
1145187	AP1001740
1145188	AP1001716
1145025	AP1001779
1145102	AP1001788
1143413	AP1002852
1145056	AP1002028
1145057	AP1001269
1145332	AP1001073
1145369	AP1001074
1145479	AP1001767
1145329	AP1001863
2237477	AP1002452

PART NUMBER	OPTIBELT AP
1145744	AP1001309
1180173	AP1002468
1145742	AP1001299
1145724	AP1001076
1145865	AP1001991
1145866	AP1001926
1141904	AP1001457
DRONNINGBORG	
41990001	AP1002212
41991400	AP1005149
41926000	AP1000230
41937500	AP1005136
41986500	AP1000805
41989100	AP1000915
41988900	AP1000899
41935700	AP1000323
41932600	AP1000289
41998900	no AP
41996300	AP1002205
41974300	AP1001357
41966500	AP1003444
41937300	AP1000339
41964400	AP1000238
41953700	AP1003505
41996500	AP1002150
41994300	AP1001215
41926100	AP1000224
41996100	AP1002080
41928100	AP1003415
41930300	AP1000260
41954800	AP1003536
41996400	AP1002071
41966900	AP1003449
41997600	AP1002197
41981900	AP1000570
41983500	AP1000609
41964300	AP1003405
41950600	AP1000641
41950900	AP1003993
41987200	AP1000624
41935200	AP1000318
41928900	AP1000249
41942100	AP1000404
41987300	AP1000815
41935900	AP1000328
41950400	AP1000624
41929200	AP1000254
41955400	AP1000724
41954100	AP1000645
41982200	AP1003232
41987100	AP1000602
41989900	AP1001375
41950000	AP1000625
41994600	AP1001845
41995600	AP1001822
41997200	AP1002135
41999700	AP1002208
41999800	AP1002207

PART NUMBER



AG - BI
CA - CL
DE - DR
FE - FO
GL - GR
IN - JO
KP - KZ
LA - ME
NE - RO
SA - ST
VA - ZM
PARTS
SERVICE

PART NUMBER	OPTIBELT AP
41940900	AP1000385
41995100	AP1000546
41957600	AP1000656
41957800	AP1000706
D41957800	AP1000706
41950100	AP1000628
41950200	AP1000694
41950300	AP1000712
41986800	AP1003536
41924900	AP1000214
41992700	AP1000910
41983900	AP1003521
41955900	AP1000704
41926600	AP1000235
41937600	AP1000328
41984300	AP1000898
41926300	AP1000230
41934900	AP1000314
41980300	AP1001439
41980600	AP1001439
D41980300	AP1001439
D41980600	AP1001439
41972200	AP1001353
41972300	AP1001353
D41972300	AP1001353
41992200	AP1001653
41992100	AP1001643
41958500	AP1000859
41992400	AP1000918
41972800	AP1001355
D41972800	AP1001355
41978500	AP1001365
41972100	AP1001352
41991600	AP1001879
41912300	AP1003380
41988700	AP1000900
41935500	AP1000321
41980800	AP1001501
41932800	AP1000292
D41932800	AP1000292
41964500	AP1000237
41902600	AP1000086
41993000	AP1001104
41982400	AP1000585
41990100	AP1001377
41993400	AP1003633
41929000	AP1000251
41930200	AP1000260
D41929000	AP1000251
41912400	AP1003380
41999200	AP1004068
41936200	AP1002770
41905300	AP1003756
41911000	AP1000143
41983600	AP1000609
41963900	AP1000233
41989200	AP1000908
41989400	AP1000911
41991700	AP1001844

PART NUMBER	OPTIBELT AP
41982500	AP1000585
41990400	AP1003581
41987800	AP1000620
41988000	AP1000698
41934800	AP1002768
41987900	AP1000575
41982100	AP1003232
41980900	AP1001526
D41980900	AP1001526
41987600	AP1000853
41990051	AP1001877
41990050	AP1003920
41942200	AP1000410
41985600	AP1000693
41984100	AP1000655
41990068	AP1001368
41978400	AP1001725
41909000	AP1003748
41991000	AP1002346
41990009	AP1002357
41936700	AP1000327
41979600	AP1003347
41990069	AP1001378
41991300	AP1001836
41933700	AP1000301
41979400	AP1001251
41979100	AP1001607
41978900	AP1001730
41979800	AP1001990
41979000	AP1001632
41986100	AP1000675
D41986100	AP1000675
41998800	AP1000278
41937500	AP1005136
41978800	AP1001683
41981200	AP1001427
D41981200	AP1001427
41981100	AP1001436
D41981100	AP1001436
41981000	AP1001539
41985200	AP1000603
41985300	AP1000620
41998700	no AP
D41998700	no AP
41922200	AP1000186
41962000	AP1003383
41939300	AP1000366
41903000	AP1003366
41938900	AP1000356
41904900	AP1000112
41995700	AP1001429
D41995700	AP1001429
41955800	AP1000757
41962600	AP1000201
41979900	AP1003576
41986300	AP1000756

FELLA

PART NUMBER	OPTIBELT AP
117118	no AP
117140	AP1001021
117141	AP1001022
118311	no AP
121282	AP1002096
121404	no AP
121745	AP1002086
122075	AP1002385
122076	AP1002372
122129	AP1002119
122253	AP1003047
122254	no AP
122297	AP1002104
122299	AP1002107
122649	AP1002111
122651	AP1002132
122652	AP1002149
122764	AP1002157
122968	AP1002170
123027	AP1002178
124976	AP1002102
124977	AP1003868

FENDT	
340433422	AP1005145
344311318	AP1005160
F934201040020	AP1002646
X696.612.313.000	AP1005041
X696.613.200.000	AP1005040
X696.615.603.000	AP1002475
X696.618.300.000	AP1005041
X696.628.000.000	AP1005042
X697.173.500.000	AP1005043
340433422	AP1005145
340433253	AP1000231
LA340433253	AP1000231
340433197	AP1000164
344311227	AP1001820
LA344311227	AP1001820
344312128	AP1003623
LA344312128	AP1003623
LA340433984	AP1001346
340435152	AP1001539
LA340435152	AP1001539
344311318	AP1005160
LA344311318	AP1005160
340433539	AP1001120
LA340433539	AP1001120
340433984	AP1001346
340433474	AP1000789
LA340433474	AP1000789
344311131	AP1001640
LA344311131	AP1001640
344311151	AP1001717
344311123	AP1001622
LA344311123	AP1001622
340435150	AP1001422
LA340435150	AP1001422
344311117	AP1003592

PART NUMBER

PART NUMBER	OPTIBELT AP
LA344311117	AP1003592
340433154	AP1003374
LA340433154	AP1003374
340434138	AP1001061
LA340434138	AP1001061
340433423	AP1000613
41979900	AP1003576
41978000	AP1001304
41978100	AP1003962
41937800	AP1004428
41990057	AP1003659
41979600	AP1003347
28274029	AP1001797
41921801	AP1004180
41929000	AP1000251
D41929000	AP1000251
41939300	AP1000366
41975300	AP1004165
41978800	AP1001683
41979800	AP1001990
41980500	AP1004070
D41980500	AP1004070
41981100	AP1001436
D41981100	AP1001436
41981200	AP1001427
D41981200	AP1001427
41986300	AP1000756
41990007	AP1003313
41990059	AP1001262
41990064	AP1001303
D41990064	AP1001303
685121585	AP1004124
FORTSCHRITT	
61011077	AP1005153
4240044262	AP1005152
4240044270	AP1005153
4270722244	AP1003589
9911860628	AP1000615
06014350	AP1002132
061011077	AP1005153
4250129747	AP1003314
4254138832	AP1002185
4260700023	AP1002721
4250121764	AP1003650
4250121780	AP1001663
4240023362	AP1001207
4240023387	AP1001956
4240023354	AP1001000
4240023395	AP1003652
4240044287	AP1002079
4240044295	AP1003680
4250121772	AP1001617
4240044301	AP1002148
4240044246	AP1000615
4240044270	AP1005153
9911861645	AP1002076
4240023370	AP1001990
4240044254	AP1002231

PART NUMBER	OPTIBELT AP
4240046545	AP1002988
4240040388	AP1002185
4240044262	AP1005152
4240043405	AP1002132
4240043413	AP1004703
4260699985	AP1001901
4260699960	AP1001915
4260699977	AP1001649
4260703942	AP1001869
4260715183	AP1001892
61020978	AP1001900
61029584	AP1002264
60168160	AP1003348
60143490	AP1002198
60143505	AP1002132
61009082	AP1002202
61017105	AP1002282
61009074	AP1001858
61004680	AP1002002
GLEANER	
V685121585	AP1004124
71410767	AP1001653
71414420	AP1000703
71418977	AP1003358
GOMSELMASH	
3-HB 3350	AP1001869
3-HB 3350 A	AP1001869
3-HB 2907	AP1003636
13x1230	AP1004352
13x3030	AP1003857
13x3580	AP1000174
14x10x887	AP1003942
14x10x937	AP1003934
16x11x1650	AP1003932
17x1220	AP1004036
17x1790	AP1003419
17x1890	AP1003423
17x2140	AP1004414
17x2950	AP1000336
17x4200	AP1005168
22x5000	AP1004192
2-HB 4062	AP1004262
2-HB 4062 „K“	AP1004262
2-HBx1912	AP1003872
2-HBx2162	AP1001582
2-HBx2362	AP1003873
2-HBx2440	AP1005170
2-HBx2470	AP1005171
2-HBx2512	AP1003961
2-HBx2512 A	AP1004098
2-HBx2662	AP1001609
2-HBx2907	AP1003878
2-HBx2962	AP1003962
2-HBx2962 A	AP1001625
2-HBx3110	AP1003607
2-HBx3212	AP1003882
2-HBx3212 A	AP1001634

PART NUMBER	OPTIBELT AP
2-HBx3812	AP1001663
2-HBx4250	AP1005172
2-HBx4812	AP1003887
2-HBx5580	AP1005173
38x18x1500	AP1001003
3-HB 1900	AP1004264
3-HBx2162	AP1001814
3-HBx2600	AP1005174
3-HBx2886	AP1005118
3-HBx3260	AP1005175
3-HBx3612	AP1003331
3-HBx3762	AP1003649
3-HBx3812	AP1003929
3-HBx3812 A	AP1001884
3-HBx4985	AP1003965
3-HBx7600	AP1005176
4-HAx2240	AP1004190
4-HB 2500	AP1004263
4-HB 2500 K	AP1004263
4-HBx1912	AP1003928
4-HBx2565	AP1005177
4-HBx2886	AP1005178
4-HBx3612	AP1002726
4-HBx4562	AP1003904
4-HBx4985	AP1005075
4-HBx4985 K	AP1005075
52x16x1250	AP1004187
5-HBx3515	AP1005179
5-HBx3570	AP1005180
5-HBx3812	AP1003963
68x24x2600	AP1001291
68x24x2600 A	AP1004085
8-SPCx2240	AP1003956
alternative Gomselmash	AP1000805
B95.02297	AP1000323
HB 2990	AP1003859
SPA 1157	AP1002049
SPAx1032	AP1003913
SPAx1120	AP1002046
SPAx1400	AP1002060
SPBx1250	AP1002110
SPBx1500	AP1002117
SPBx1800	AP1002127
SPBx2240	AP1002148
SPCx2800	AP1002220
17x2690	AP1003866
GRIMME	
B95.02293	AP1001884
B95.02294	AP1004587
B95.02001	AP1004893
B95.02004	AP1004883
B95.02005	AP1004883
B95.02006	AP1000233
B95.02008	AP1000339
B95.02009	AP1000356
B95.02017	AP1004447
B95.02025	AP1000501
B95.02026	AP1004449

PART NUMBER



PART NUMBER	OPTIBELT AP
B95.02033	AP1000511
B95.02035	AP1004451
B95.02044	AP1004739
B95.02045	AP1002182
B95.02047	AP1001358
B95.02049	AP1004742
B95.02070	AP1000349
B95.02079	AP1000502
B95.02090	AP1000633
B95.02104	no AP
B95.02106	AP1002460
B95.02111	AP1004771
B95.02113	AP1002185
B95.02114	AP1000274
B95.02116	AP1002173
B95.02117	AP1005136
B95.02118	AP1003419
B95.02120	AP1000675
B95.02122	AP1000504
B95.02124	AP1004453
B95.02125	AP1002167
B95.02126	AP1002197
B95.02127	AP1005153
B95.02128	AP1002185
B95.02131	AP1000520
B95.02134	AP1000508
B95.02138	AP1004783
B95.02142	AP1000349
B95.02145	AP1004771
B95.02146	AP1004774
B95.02147	AP1000509
B95.02149	AP1000250
B95.02150	AP1000269
B95.02151	no AP
B95.02152	AP1002132
B95.02155	AP1003401
B95.02158	AP1003415
B95.02161	AP1000237
B95.02162	AP1002764
B95.02165	AP1002834
B95.02166	AP1003412
B95.02167	AP1005135
B95.02169	AP1002595
B95.02170	AP1002600
B95.02171	AP1005136
B95.02188	AP1002154
B95.02193	AP1002158
B95.02205	AP1003024
B95.02206	AP1004766
B95.02207	AP1000589
B95.02208	AP1003025
B95.02209	AP1000588
B95.02210	AP1000593
B95.02211	AP1004770
B95.02223	AP1002113
B95.02224	AP1002125
B95.02225	AP1002136
B95.02226	AP1000761
B95.02227	AP1000837

PART NUMBER	OPTIBELT AP
B95.02228	AP1002837
B95.02229	AP1002888
B95.02232	AP1002129
B95.02239	AP1002099
B95.02240	AP1002095
B95.02241	AP1000260
B95.02244	AP1001349
B95.02245	AP1001344
B95.02246	AP1000626
B95.02247	AP1000828
B95.02250	AP1002765
B95.02259	AP1003528
B95.02260	AP1002889
B95.02261	AP1000870
B95.02262	AP1002325
B95.02263	AP1002331
B95.02265	AP1000768
B95.02269	AP1000263
B95.02271	AP1004555
B95.02272	AP1004481
B95.02273	AP1004462
B95.02274	AP1004478
B95.02280	AP1002601
B95.02281	AP1000624
B95.02288	AP1001354
B95.02289	no AP
B95.02290	AP1004777
B95.02292	AP1004767
B95.02302	no AP
B95.02304	AP1004458
B95.02306	AP1004763
B95.02308	AP1000580
B95.02309	AP1002588
B95.02314	AP1004757
B95.02317	no AP
B95.02318	AP1004459
B95.02319	AP1004765
B95.02322	no AP
B95.02325	AP1004479
B95.02326	AP1004465
B95.02327	AP1004480
B95.02328	AP1004483
B95.02329	AP1000828
B95.02330	AP1004460
B95.02331	AP1004557
B95.02332	AP1004484
B95.02333	AP1004858
B95.02336	AP1004554
B95.02337	AP1004553
B95.02338	AP1004552
B95.02339	AP1000740
B95.02341	AP1004759
B95.02342	AP1004768
B95.02343	AP1004761
B95.02348	AP1004756
B95.05842	AP1004578
B95.05854	no AP
B95.05856	AP1004762
B95.05866	AP1004415

PART NUMBER	OPTIBELT AP
B95.05873	AP1004732
B95.05876	no AP
B95.05891	AP1004556
B95.05902	AP1004414
B95.05934	no AP
JOHN DEERE	
Z20459	AP1003583
Z20460	AP1000697
Z20562	AP1000753
Z21171	AP1000113
Z21254	AP1000116
Z23752	AP1000095
Z21398	AP1000561
Z21400	AP1000563
Z21401	no AP
Z21402	no AP
Z23693	AP1000695
Z20703	AP1003534
Z20823	AP1001507
Z20743	AP1003505
Z21403	no AP
Z21500	AP1001103
Z21501	AP1001102
Z22208	AP1002554
Z22648	no AP
Z30692	AP1001407
Z30130	AP1001111
Z31367	AP1001452
Z25473	AP1000558
Z31283	AP1000038
Z28458	AP1005144
Z29962	AP1004146
Z32173	AP1001979
Z32568	AP1004129
Z33774	AP1000401
Z34405	AP1000675
Z32190	AP1000002
Z32883	AP1000158
Z33790	AP1001995
Z33368	AP1000603
Z34828	AP1003397
AZ22914	AP1001109
Z24833	no AP
Z33605	AP1000162
CA20518	AP1004034
Z34099	AP1001523
Z38186	AP1001647
Z37192	AP1004106
Z37473	AP1003589
Z46222	AP1001861
Z39313	AP1001109
Z41178	AP1001396
Z53288	AP1001507
Z44740	AP1000747
Z36813	AP1001397
Z42382	AP1002811
Z43253	AP1003492
Z36120	AP1001438

PART NUMBER

PART NUMBER	OPTIBELT AP
Z35965	AP1003380
Z39312	AP1001118
AR72036	AP1002351
Z39314	AP1001121
Z42756	AP1002350
CA22534	AP1003401
Z34786	AP1000040
Z45026	AP1000261
Z45482	AP1000224
Z47911	AP1000604
Z43863	AP1000036
Z33967	AP1001497
Z38697	AP1001996
Z41932	AP1004883
Z38704	AP1000039
Z51212	AP1001027
Z42757	AP1000226
Z43889	AP1002707
Z46709	AP1001832
Z43890	AP1003643
Z46463	AP1001261
Z46365	AP1001404
Z44936	AP1001544
R123451	AP1003150
Z54406	AP1001122
Z55801	AP1000786
Z61151	AP1001761
Z58752	AP1000788
Z59419	AP1001125
Z59556	AP1000635
Z63005	AP1000648
Z59557	AP1001388
Z53515	AP1001973
Z61858	AP1001973
Z62110	AP1001423
Z62111	AP1001432
Z59344	AP1003858
Z52909	AP1003856
Z61150	AP1001754
Z63327	AP1001751
Z64912	AP1001751
Z61857	AP1001190
Z59286	AP1001911
Z59114	AP1000324
Z59342	AP1003622
Z60135	AP1000395
Z59322	AP1000640
Z56959	AP1001089
Z56421	AP1001084
Z48212	AP1001769
Z60931	AP1003623
Z61152	AP1001764
Z61154	AP1001448
Z62211	AP1001449
Z54807	AP1001096
Z58751	AP1004084
Z55459	AP1001085
Z61153	AP1001753
Z61827	AP1001755

PART NUMBER	OPTIBELT AP
Z62213	AP1003856
Z62214	AP1001127
Z62551	AP1001784
Z60930	AP1001784
Z62552	AP1001786
E58967	AP1004189
H80896	AP1002569
H81742	no AP
340435138	AP1004295
H76136	AP1000542
H86259	no AP
H138762	AP1000710
R73784	AP1003983
Z44761	AP1001668
Z65924	no AP
AZ35635	AP1001105
R500173	AP1001335
H23950	AP1000682
H27433	AP1000598
H113749	AP1001514
H125380	AP1000791
AH84633	AP1001087
N110085	AP1000702
H80103	AP1000709
Z48567	AP1002618
AZ39678	AP1002843
AZ39676	AP1002766
AZ39677	AP1001343
H108175	AP1001140
H111519	AP1004270
H23927	AP1004084
H136881	AP1000693
R136235	AP1002684
R135199	AP1003235
Z55771	AP1002360
R503312	AP1002614
R502599	AP1002651
AZ51312	AP1003982
Z58886	AP1002539
AZ56225	AP1002313
AZ51638	AP1004153
H21925	AP1000694
H143869	no AP
H134216	no AP
H137264	AP1000938
H115759	AP1003590
H141167	AP1004088
H115881	AP1003663
H128010	AP1000797
H131169	AP1001392
AH127866	AP1005145
H140404	AP1001434
H125565	no AP
H140160	AP1003570
H125711	no AP
AH139436	AP1001382
H126345	AP1001124
H101813	AP1002580
AH163931	AP1001381

PART NUMBER	OPTIBELT AP
H132808	no AP
H210476	AP1003590
H161648	no AP
H151952	AP1003570
H145158	no AP
H146636	AP1004193
AH158880	AP1002861
H163515	AP1003209
H166870	AP1004090
H141166	AP1001394
H152146	AP1001435
H152180	AP1001431
H156796	AP1004269
H175632	AP1004469
H134437	no AP
H134344	no AP
H125381	AP1000778
H128234	AP1000419
H177263	AP1001394
H177589	AP1002285
H175467	AP1003125
H176765	AP1001789
H177177	AP1001905
H176766	AP1001756
H202821	AP1001759
H155998	no AP
H177186	AP1003223
H153297	AP1001551
R164820	AP1003114
H175628	AP1000180
H174455	AP1003217
H207851	no AP
H208431	no AP
H217352	AP1001772
R123465	AP1003220
H158512	AP1000853
H154723	AP1000738
AH150678	AP1002892
H175587	AP1004166
H165072	AP1001425
H154731	AP1000586
H178037	AP1002433
R135609	AP1003196
H156541	AP1001785
AH160080	AP1000681
H168301	AP1000708
H174367	AP1004686
H174885	AP1001777
155538	AP1003090
41959200	AP1004091
84012974	AP1004093
84238514	AP1004074
4032807792	AP1004089
7700068536	AP1003955
0554086.0	AP1004098
0660316.0	AP1004099
10VX00D	AP1004026
57920E	AP1005072
58484E	AP1005285

PART NUMBER



PART NUMBER	OPTIBELT AP
600A01	AP1003993
600A02	AP1005144
600A07	AP1000769
600A11	AP1003991
600A16	AP1005148
63333E	AP1005284
67563E	AP1004407
72100E	AP1005286
9351.0198.00	AP1004019
AFH213441	AP1004499
AFH216521	AP1004499
AH127866	AP1005145
AH228935	AP1004563
AH233198	AP1004464
AH236689	AP1000768
AJ58940	AP1002580
AS26639	AP1004882
AS33603	AP1004855
AXE10455	no AP
AXE10456	AP1004660
AXE17661	no AP
AXE17662	AP1005260
AXE22550	AP1004911
AXE24473	AP1004499
AXE25334	AP1004856
AXE26321	AP1004626
AXE27897	no AP
AXE29294	no AP
AXE33418	AP1004564
AXE33760	AP1002913
AXE37395	AP1005220
AXE37950	AP1005225
AXE41286	AP1005270
AXE42095	AP1005276
AXE51063	AP1001315
AXE51876	AP1005269
AXE52471	AP1005245
AXE58436	AP1005263
AXE59549	AP1005246
AXE60997	AP1005129
AYC10132	AP1004882
AYC10133	AP1004855
AZ100807	AP1003826
AZ100808	AP1003827
AZ100809	AP1003828
AZ100810	AP1003829
AZ101386	AP1004731
AZ25400	AP1002206
AZ40077	AP1001109
AZ41136	AP1000620
AZ43804	AP1002819
AZ43805	AP1000202
AZ45824	AP1004803
AZ46283	AP1002348
AZ58519	AP1004672
AZ61336	AP1003831
AZ63883	AP1004416
AZY83541	AP1004838
B28170	AP1003106

PART NUMBER	OPTIBELT AP
C17165	no AP
C19647	no AP
C22534	AP1003401
CC100317	AP1001834
CC100318	AP1001831
CC100752	AP1003654
CC100753	AP1001899
CC100754	AP1001894
CC102733	AP1001841
CC107199	AP1000034
CC109629	AP1004800
CC119474	AP1004807
CC18089	AP1000550
CC19065	AP1001004
CC21115	AP1001006
CC26949	AP1003358
CC26973	AP1001814
CC32123	AP1004607
CC32124	AP1004823
CC38627	AP1002334
CC38702	AP1004568
CC38984	AP1004825
CQ00626	AP1001126
CQ00628	AP1001758
CQ02867	no AP
CQ03160	no AP
CQ03265	AP1000603
CQ03283	AP1002874
CQ03457	AP1003536
CQ03478	AP1005141
CQ03492	AP1002811
CQ05106	AP1004933
CQ05208	AP1001123
CQ06153	no AP
CQ08238	AP1000150
CQ08239	AP1000151
CQ12236	AP1000109
CQ13375	AP1003404
CQ13673	AP1000085
CQ13800	AP1000035
CQ17755	AP1000225
CQ24186	AP1000363
CQ24340	AP1000132
CQ28344	AP1001736
CQ31965	AP1001583
CQ33577	AP1002520
CQ33886	no AP
CQ34122	AP1002525
CQ34237	AP1003757
CQ34345	AP1001631
CQ35417	AP1003812
CQ35426	AP1001867
CQ35531	AP1001565
CQ35559	AP1001731
CQ37755	AP1002427
CQ39824	AP1001734
CQ40221	AP1003955
CQ40222	AP1001563
CQ42066	AP1003143

PART NUMBER	OPTIBELT AP
CQ42150	AP1000650
CQ45617	AP1002646
CQ48048	AP1001634
CQ50143	AP1003238
CQ50144	AP1000987
CQ51920	AP1003131
CQ51921	AP1003817
CQ53362	AP1000610
CQ53363	AP1001263
CQ53364	AP1001886
CQ53367	AP1003612
CQ53369	AP1000244
CQ53370	AP1001546
CQ53371	AP1000592
CQ53372	AP1001838
CQ57311	AP1002749
CQ58873	AP1003235
CQ58875	AP1002661
CQ61084	AP1004375
CQ62911	AP1001137
CQ62912	AP1001028
CQ71838	no AP
CQ71839	no AP
DQ05106	no AP
DQ06154	no AP
DQ20810	AP1002560
DQ23754	AP1002589
DQ29594	AP1001107
E41055	no AP
E46113	AP1003505
EP0020	AP1000220
FH10164	AP1001838
FH10165	AP1001844
FH305097	AP1004571
H105040	AP1001968
H138761	AP1000701
H139436	no AP
H157105	no AP
H157523	AP1001633
H157726	AP1004928
H160080	AP1000680
H160831	AP1004455
H161945	AP1004251
H162310	AP1004598
H163576	AP1001965
H164368	AP1003830
H165545	AP1005182
H166457	no AP
H166759	AP1000857
H169449	AP1005182
H170047	AP1001548
H172610	AP1003244
H173024	no AP
H173832	AP1003799
H174456	AP1003114
H174457	AP1001777
H175631	AP1004382
H176536	AP1003125
H176882	AP1001088

PART NUMBER

PART NUMBER	OPTIBELT AP
H177442	AP1001917
H177887	AP1003229
H178757	AP1003110
H180896	no AP
H201571	AP1001633
H201794	AP1000671
H201916	AP1002436
H203473	AP1004929
H204133	AP1004197
H205169	no AP
H205240	AP1003229
H206738	AP1001393
H210001	AP1000678
H210003	AP1000650
H216026	AP1004130
H220884	AP1000671
H221324	AP1000678
H221327	AP1000650
H221498	AP1005182
H224185	AP1001606
H228261	AP1001996
H228348	AP1004686
H228523	AP1004618
H232237	AP1000685
H234704	no AP
H238679	AP1004355
H238867	AP1004367
H238869	AP1004798
H238870	AP1004794
H238871	AP1004790
H240885	AP1000708
H240888	AP1004890
H240895	AP1004060
H240972	AP1003528
H240974	AP1005156
H241000	AP1001142
H241212	AP1004903
H241230	AP1004595
HXE100455	AP1005281
HXE105874	AP1005250
HXE10785	AP1002652
HXE11255	AP1004137
HXE122890	AP1005133
HXE12425	AP1004588
HXE12426	AP1004573
HXE12427	AP1004572
HXE124364A	AP1004918
HXE124372	AP1001672
HXE124391	AP1001624
HXE124392	AP1001625
HXE124393	AP1001627
HXE124868	AP1004595
HXE124869	AP1004903
HXE126957	AP1004496
HXE137654	AP1004496
HXE13951	AP1004604
HXE13957	AP1004603
HXE15546	AP1004816
HXE15547	AP1004817

PART NUMBER	OPTIBELT AP
HXE15556	AP1004475
HXE15594	AP1004058
HXE16927	AP1005298
HXE16928	AP1004551
HXE17071	AP1002643
HXE17164	AP1001576
HXE17475	no AP
HXE19401	AP1004502
HXE20763	AP1004534
HXE22617	no AP
HXE24085	AP1004352
HXE24086	AP1003368
HXE24210	AP1000693
HXE24687	AP1002652
HXE24688	AP1003129
HXE28843	AP1003220
HXE29021	AP1004856
HXE34473	AP1004535
HXE34567	AP1004386
HXE35822	AP1004868
HXE35957	AP1004417
HXE35958	AP1000124
HXE36535	no AP
HXE38000	AP1004892
HXE39119	AP1004606
HXE39397	AP1001612
HXE41402	AP1001196
HXE43172	no AP
HXE43428	AP1003143
HXE43696	no AP
HXE44273	AP1004372
HXE46027	AP1005182
HXE46515	AP1004315
HXE47062	no AP
HXE47152	AP1005083
HXE51300	AP1001394
HXE54568	AP1005249
HXE56618	AP1001621
HXE64200	AP1004851
HXE65360	AP1005214
HXE65361	AP1005215
HXE72209	AP1000634
HXE72281	AP1004501
HXE72591	AP1001593
HXE73027	AP1001894
HXE73048	AP1005248
HXE73049	AP1004835
HXE73530	AP1005247
HXE73868	AP1004087
HXE74209	AP1005204
HXE74439	AP1005236
HXE74517	AP1005278
HXE74560	AP1004467
HXE75054	AP1000324
HXE75142	AP1005277
HXE76183	AP1005243
HXE81232	AP1002677
HXE82335	AP1004166
HXE86445	AP1005233

PART NUMBER	OPTIBELT AP
HXE87482	AP1003137
HXE88939	AP1003340
HXE88940	AP1005079
HXE93098	AP1005224
HXE94485	AP1003590
HXE95511	AP1004059
HXE98150	AP1005280
J57007	AP1002735
J57065	AP1002737
J57234	AP1002514
L101166	AP1003205
L110391	AP1003209
L110599	AP1005150
L11060	AP1003797
L110600	AP1002633
L110602	AP1002671
L110603	AP1002673
L110607	AP1003215
L110608	AP1003216
L110609	AP1003220
L111087	no AP
L111148	AP1002635
L111169	AP1002634
L111602	AP1003244
L111685	AP1003788
L111801	AP1003799
L111933	AP1003223
L114286	AP1003184
L114290	AP1002684
L114292	AP1003242
L114293	AP1003248
L114468	AP1003245
L114487	AP1003184
L115657	AP1003215
L115658	AP1003216
L115659	no AP
L115660	AP1002669
L115661	AP1002671
L166309	AP1003790
L169990	AP1005049
L170243	AP1005050
L170245	AP1005051
L172523	AP1004675
L200916	AP1002696
L201806	AP1002693
L202229	AP1002697
L202230	AP1002694
L203293	AP1002695
L203294	AP1004695
L203295	AP1002698
L203307	AP1004691
L212327	AP1005052
L213477	AP1005321
L79344	AP1002679
L79943	AP1003207
L79945	AP1003220
M45862	AP1000108
M82461	AP1000098
N153524	AP1003063

PART NUMBER



PART NUMBER	OPTIBELT AP
N154241	AP1003064
N157368	AP1003060
N157369	AP1003061
N371322	AP1003121
P51165	AP1000240
PT9483	no AP
QX38076	AP1003001
R107324	AP1003118
R108842	AP1003184
R115257	AP1003092
R116492	AP1003189
R118318	AP1003220
R120524	AP1002663
R120852	AP1002656
R122126	AP1003135
R123292	AP1003215
R123293	no AP
R123294	AP1003140
R123296	AP1003143
R123306	AP1003150
R123307	AP1003134
R123308	AP1003955
R123432	AP1003140
R123436	AP1002649
R123437	AP1003139
R123438	AP1003143
R123439	AP1003135
R123440	AP1003140
R123441	AP1002649
R123442	AP1003147
R123445	AP1003147
R123449	AP1003139
R123450	AP1003143
R123454	AP1002651
R123456	AP1003147
R123457	AP1003156
R123458	AP1003158
R123460	AP1002652
R123461	AP1002651
R123462	AP1002651
R123463	AP1003955
R123464	AP1003154
R123466	AP1003223
R123468	AP1003156
R123470	AP1003223
R123522	AP1003198
R124785	AP1003118
R124786	no AP
R125361	AP1003193
R125752	AP1003812
R128196	AP1003812
R128197	AP1002656
R128198	AP1003168
R128199	AP1003172
R128200	AP1003940
R128201	AP1003177
R128202	AP1003179
R128203	AP1003179
R128204	AP1003186

PART NUMBER	OPTIBELT AP
R128205	AP1003191
R128206	AP1003195
R128208	AP1003198
R128209	AP1003200
R128806	AP1004344
R129083	AP1002663
R129738	AP1002686
R130478	AP1003078
R130852	AP1003128
R130899	AP1003253
R131433	AP1003216
R131436	no AP
R132159	AP1003248
R132925	AP1003081
R133402	AP1003216
R133518	AP1003195
R133693	AP1003119
R133694	AP1003111
R133695	AP1003108
R133696	AP1003969
R133697	AP1003814
R133699	AP1003127
R133700	AP1003122
R133701	AP1003116
R133702	no AP
R133704	AP1004343
R133705	AP1004124
R133706	AP1003074
R133707	AP1003080
R133852	AP1003073
R133853	AP1003203
R134299	AP1002669
R134594	AP1003229
R134599	no AP
R134625	AP1003156
R134630	AP1004345
R134631	AP1003079
R134634	AP1003076
R134635	AP1002642
R134636	AP1003109
R134637	AP1003186
R134638	AP1004685
R135169	AP1003133
R135188	AP1001337
R135189	AP1003229
R135192	AP1002652
R135193	AP1002679
R135194	AP1003224
R135195	AP1003156
R135198	AP1003244
R135200	AP1002656
R135568	AP1002656
R135589	AP1002652
R135590	AP1003812
R135591	AP1002656
R135592	AP1003168
R135593	AP1003168
R135594	AP1003170
R135595	AP1003171

PART NUMBER	OPTIBELT AP
R135596	AP1003172
R135597	AP1003179
R135598	AP1003940
R135599	AP1003940
R135600	AP1003177
R135601	AP1003179
R135602	AP1003184
R135603	AP1003186
R135604	AP1003189
R135605	AP1002663
R135607	AP1003194
R135608	AP1003195
R135611	AP1003200
R135612	AP1003245
R135613	AP1003248
R135614	AP1002690
R135615	AP1002687
R135663	AP1004259
R135664	AP1003254
R135665	AP1001336
R135680	AP1003158
R135681	AP1003143
R135824	AP1003940
R135826	AP1003158
R135977	AP1003158
R136284	AP1003209
R136535	AP1003163
R156049	AP1003238
R156050	AP1003238
R175712	AP1003179
R175825	AP1004341
R175826	AP1003192
R181917	AP1003245
R181918	AP1002692
R202628	AP1003242
R211183	AP1003119
R239551	no AP
R300380	no AP
R300399	AP1005184
R500089	AP1003788
R500090	AP1003248
R500244	AP1003220
R500377	AP1003955
R500378	AP1002686
R500379	no AP
R500380	AP1003088
R500381	AP1003217
R500382	AP1003089
R500383	AP1003955
R500384	AP1003147
R500385	AP1003242
R500616	no AP
R501007	AP1003132
R501017	AP1002648
R501053	AP1002652
R501191	AP1003258
R501266	AP1003120
R501308	AP1003242
R501526	AP1003258

PART NUMBER

PART NUMBER	OPTIBELT AP
R502016	AP1003204
R502078	AP1003259
R502086	AP1003198
R502089	AP1003248
R502186	AP1003193
R502306	AP1003082
R502416	AP1002684
R502417	AP1001196
R502418	AP1003792
R502461	no AP
R502476	AP1003168
R503311	AP1003718
R503323	AP1003066
R503324	AP1004685
R503571	AP1004259
R503726	AP1003129
R503932	AP1002677
R504022	AP1002651
R504023	AP1003088
R504618	AP1003220
R504963	AP1003143
R505186	AP1003158
R505812	AP1003094
R515127	AP1003198
R515209	AP1003209
R515217	AP1003095
R515219	AP1003096
R515220	AP1003093
R517012	AP1003099
R517039	AP1003100
R517041	AP1003101
R94373	AP1003812
R98510	AP1002652
S07074	AP1001757
S07075	AP1001112
S13042	AP1001412
S165708	no AP
S17044	AP1000033
S17045	AP1004832
S26382	no AP
S33510	AP1000609
S33512	AP1001595
S33602	no AP
S33607	AP1004199
S33721	no AP
S37687	no AP
S60001	AP1000569
S60004	AP1000569
S60011	AP1001851
S60016	AP1000553
S60018	AP1000623
S60021	AP1001996
S60022	AP1000607
SA00101	AP1000703
SA00201	AP1004467
SA00301	AP1000538
SA00401	AP1000646
SA00501	no AP
SA00601	AP1000686

PART NUMBER	OPTIBELT AP
SA35274	LG2000430
SA35425	LG2000436
SA36024	LG2000424
SA36101	LG2000425
SA36130	AP1004674
SA36192	LG2000427
SA36521	AP1004815
SA36523	LG2000432
SA36536	AP1004309
SA36701	LG2000874
SA36717	LG2000429
SAU10552	LG2000435
SAU10691	LG2000436
SAU11073	LG2000437
SAU11158	LG2000435
SAU11284	LG2001009
SAU11321	LG2000431
SAU11644	LG2000433
SAU11645	LG2000434
SAU12081	LG2000426
T148208	AP1003940
T155457	AP1003812
T160034	AP1003171
T160036	AP1003814
T164949	AP1002643
T166823	AP1003116
T178409	AP1003171
T178410	AP1003163
T178411	AP1003807
T178412	AP1001336
T178413	AP1003940
T178414	AP1003788
T178415	AP1003147
T178416	AP1004259
T178417	AP1003154
T178418	AP1003116
T178419	AP1003186
T178420	AP1003143
T178421	AP1002663
T178422	AP1003156
T178423	AP1003200
T178465	no AP
T178536	AP1003179
T178538	AP1003172
T178539	no AP
T178548	AP1003808
T180368	AP1001337
T182169	AP1003086
T184590	AP1003229
T184592	AP1003184
T184594	AP1003158
T184595	AP1003088
T185061	AP1003172
T185081	AP1002661
T186776	AP1002651
T187391	AP1003085
T187704	no AP
T189016	no AP
T190384	AP1003088

PART NUMBER	OPTIBELT AP
T190809	AP1003788
T190810	no AP
T190817	AP1003177
VK648204	AP1004584
VK648215	AP1003358
VK648216	AP1004589
VK648223	AP1004395
Z101214	AP1004349
Z103479	AP1004381
Z103583	AP1004753
Z103861	AP1004467
Z103867	AP1000701
Z104104	AP1004884
Z104978	AP1004885
Z105041	AP1003590
Z105506	AP1002642
Z106227	no AP
Z21399	no AP
Z22556	no AP
Z23087	AP1004454
Z23475	AP1000446
Z23476	AP1000446
Z24729	AP1000614
Z25670	AP1001118
Z27710	AP1001102
Z28458	AP1005144
Z28842	AP1003571
Z30881	AP1003999
Z31867	no AP
Z32158	AP1004437
Z34121	AP1001493
Z35357	AP1003621
Z35358	AP1003361
Z36376	AP1001452
Z36499	AP1000706
Z36770	AP1000751
Z36771	AP1001682
Z37121	AP1004106
Z38699	AP1003389
Z38708	AP1000575
Z39750	AP1004673
Z43808	AP1002354
Z44762	AP1001723
Z48472	AP1002514
Z51089	AP1001689
Z51202	AP1001733
Z52009	AP1002575
Z53478	AP1001737
Z54332	AP1004183
Z56313	AP1000305
Z56351	AP1004184
Z56352	AP1004185
Z56829	AP1000316
Z59435	no AP
Z59930	AP1001734
Z63322	AP1003832
Z66787	AP1001097
Z66873	AP1001924
Z67285	AP1000299

PART NUMBER



AG - BI
CA - CL
DE - DR
FE - FO
GL - GR
IN - JO
KP - KZ
LA - ME
NE - RO
SA - ST
VA - ZM
PARTS
SERVICE

PART NUMBER	OPTIBELT AP
Z67326	AP1001926
Z73506	AP1003797
Z73879	AP1000631
Z75245	AP1003945
Z75246	AP1003266
Z77222	AP1002692
Z78834	AP1004069
Z78860	no AP
Z81070	AP1003083
Z81937	AP1004809
ZY100182	AP1005109
ZY100322	AP1001711
ZY103687	AP1001555
ZY86859	AP1004384
ZY87107	no AP
ZY94047	AP1004431
ZY94115	AP1000671
ZY95337	AP1000796
ZY96548	AP1004910
ZY96551	AP1005137
ZY96558	AP1000680
ZY98714	AP1003854
Z37191	AP1004105
Z45191	AP1000003
Z45192	AP1002425
Z41728	AP1001828
Z38703	AP1002344
Z45367	AP1002426
Z42758	AP1003401
Z47912	AP1000607
AZ37807	AP1001108
Z46759	AP1002333
Z46764	AP1004107
Z51707	AP1001634
Z47763	AP1001735
Z55645	AP1001739
HXE51101	AP1003590
H218645	AP1001393
AH202773	AP1002893
H211581	AP1004059
H221731	AP1004197
H221732	AP1004130
H206048	AP1001426
H211601	AP1001433
H209507	AP1004136
H169449	AP1005182
H157514	AP1004131
H204747	AP1001656
H201334	no AP
H218726	no AP
R135606	AP1003191
H236472	AP1004059
H230909	AP1004058
H203474	AP1004057
H221498	AP1005182
H219182	AP1000708
H201596	AP1001141
H213353	AP1004109
H221273	AP1004112

PART NUMBER	OPTIBELT AP
R521053	AP1001335
H165708	AP1001579
H139963	AP1000221
H206807	AP1002434
H157104	AP1002437
H165545	AP1005182
H235564	AP1001656
H220911	no AP
AT262958	AP1003799
H229018	AP1004145
H229019	AP1004144
H223384	AP1004142
HXE10556	AP1004133
H232997	AP1001606
HXE10501	AP1004142
H223212	AP1004134
H223230	AP1004137
H230230	AP1004138
H223385	AP1004133
R503505	AP1003207
H162629	AP1003590
H141429	AP1001149
H162541	AP1001774
HXE54503	AP1004138
H228347	AP1004149
H228346	AP1004143
Z103844	AP1001815
Z103845	AP1001571
H177383	AP1001128
H177178	AP1001913
JOHN DEERE - TURF N CARE	
TCU12829	AP1003102
TCU16026	AP1003104
TCU16841	AP1003107
TCU13749	AP1005032
KPAB	
904009	AP1003933
904020	AP1001740
904022	AP1001715
904028	AP1004265
904030	AP1001767
904033	AP1001603
904034	AP1004266
904035	AP1004267
904036	AP1001701
904041	AP1000856
904042	AP1000291
904043	AP1000312
904044	AP1000268
904045	AP1001742
904047	AP1001744
904049	AP1004268
904051	AP1003981
904052	AP1003980
KRONE	

PART NUMBER	OPTIBELT AP
2133350	AP1004682
2150791	AP1001331
2211880	AP1003730
2240410	AP1003664
2266930	AP1001333
2279090	AP1001332
2279091	AP1001332
2279251	AP1003354
2282321	AP1003722
2282340	AP1002584
2282350	AP1002601
2282360	AP1002149
2282430	AP1002353
9215002	AP1004083
9215010	AP1002675
9215030	AP1002844
9215040	AP1001932
9215050	AP1002802
9215060	AP1001803
9215070	AP1001235
9215090	AP1001793
9215101	AP1003383
9215102	AP1004032
9215110	AP1002052
9215121	AP1002148
9215130	AP1004883
9215140	AP1001983
9215151	AP1001940
9215161	AP1005075
9215181	AP1002049
9215190	AP1002188
9215221	AP1002190
9215232	AP1003683
9215241	AP1002024
9215251	AP1001555
9215260	AP1003027
9215270	AP1002065
9215280	AP1002331
9215290	AP1000242
9215310	AP1001579
9215320	AP1001796
9215330	AP1001574
9215360	AP1001792
9215370	AP1002032
9215380	AP1001596
9215390	AP1004619
9215400	AP1003682
9215412	AP1000214
9215420	AP1001602
9215450	AP1002288
9215470	AP1001791
9215520	AP1001587
9215530	AP1002341
9215540	AP1001574
9215550	AP1001555
9215560	AP1001791
9215570	AP1001796
9215580	AP1004566
9215931	AP1002140

PART NUMBER

PART NUMBER	OPTIBELT AP
9215962	AP1002160
9215981	AP1003026
9216000	AP1002174
9216010	AP1004940
9216070	AP1002171
200158560	AP1004961
200160010	AP1003664
200166250	AP1004960
200208261	AP1004963
200213740	AP1004684
200213750	AP1004681
200214040	no AP
200225360	no AP
200229240	AP1005002
200236560	no AP
202247460	AP1004976
270003340	AP1004751
270009750	AP1004772
270010830	AP1004683
270012960	no AP
270016482	AP1004617
270016491	AP1004620
270022770	AP1004619
270029402	AP1004639
270036620	AP1001606
270036680	AP1004378
270042650	AP1001332
270042651	AP1004681
270045470	AP1004828
270050730	AP1004810
270050740	AP1002065
270059850	AP1003961
270063910	AP1004671
270073020	AP1003920
270076720	AP1004616
270078750	AP1004570
270079810	AP1004957
270084780	AP1004661
270084781	AP1004662
270084783	AP1004975
270085110	AP1004664
270085120	AP1004644
270085130	AP1004850
270085150	AP1004638
270086200	AP1004670
270087820	AP1004634
270087821	AP1004969
270089770	AP1004657
270089880	AP1004965
270092540	AP1004957
270092541	AP1004796
270095150	AP1004637
270095930	AP1001340
270095940	AP1004881
270096080	AP1004645
270096090	AP1004314
270096091	AP1004967
270096100	AP1004665
270096890	AP1002061

PART NUMBER	OPTIBELT AP
270097250	AP1004776
270103490	AP1004881
270104120	AP1004966
270104130	AP1004495
2153350	AP1004703
9215300	AP1000255
9215451	AP1004822
9215460	AP1002148
9215601	AP1000259
9216030	AP1003477
270107440	AP1002122
270111280	AP1004958
270111281	AP1004959
270113710	AP1004983
270118600	AP1004982
270120020	AP1004977
270134180	AP1004964
270136370	AP1004981
270136380	AP1004948
270136640	AP1004971
270137320	AP1004979
270137740	AP1004962
270140470	AP1004968
270141060	AP1004978
270141140	AP1004980
270141380	AP1004970
270142400	AP1004973
270145800	AP1004974
270148030	AP1004972
270148232	AP1001628
E020T17	AP1001631
200211640	AP1004154
2168800	AP1001294
200225361	AP1001583
200208260	AP1004113
2159940	AP1004643
2253610	AP1000182
02253610	AP1000182
2279101	AP1003580
2282330	AP1003730
2253560	AP1002363
200216850	AP1002147
02253560	AP1002363
2282361	AP1002149
KUHNS	
6060124	AP1005005
6061629	AP1005015
6061630	AP1005016
6062123	AP1005022
6062124	AP1005023
83101051	AP1005026
83101052	AP1005030
83101053	AP1004950
83101057	AP1005010
83101059	AP1002275
83101060	AP1005027
83101062	AP1005028
83101063	AP1005029

PART NUMBER	OPTIBELT AP
83101066	AP1004951
83101067	AP1002272
83101070	AP1004956
83101252	AP1002337
83101253	AP1002342
83101268	AP1005011
83101270	AP1002060
83101276	AP1005012
83101279	AP1005013
83101282	AP1005009
83101286	AP1005014
83101656	AP1002386
83101658	AP1002383
83101662	AP1005151
83101664	AP1005018
83101665	AP1004955
83101670	AP1004771
83101672	AP1004771
83101673	AP1004771
83101675	AP1005017
83101680	AP1002370
83101682	AP1002374
83101686	AP1005019
83101687	AP1003056
83101688	AP1003057
83101747	AP1004952
83101753	AP1005004
83101764	AP1002366
83101785	AP1003415
83101791	AP1002398
83101792	AP1002399
83101793	AP1005025
83101794	AP1005024
83101795	AP1000258
83101796	AP1000270
83101797	AP1000279
83101798	AP1000284
83111677	AP1001173
83111678	AP1005008
83111679	AP1001219
83111682	AP1001191
83111683	AP1001192
J0019026	AP1005021
J0019028	AP1005020
KVERNELAND	
1099	AP1001280
1160	AP1001279
1224	AP1001278
37771407	AP1000295
43301603	AP1000296
43303407	AP1002401
43303410	AP1002373
43303412	AP1002377
43303413	AP1002371
43303417	AP1002376
43303418	AP1002402
43303420	AP1002364
43303424	AP1002384

PART NUMBER



PART NUMBER	OPTIBELT AP
43303426	AP1002395
43303427	AP1003419
43303429	AP1002305
43303432	AP1002382
43303434	AP1002393
43303435	AP1004946
43303436	AP1004945
43303437	AP1004942
99201011	AP1000093
99201014	AP1000104
99201017	AP1000108
99201020	AP1000113
99201032	AP1000137
99201038	AP1000141
99201040	AP1000142
99201411	AP1002044
99201412	AP1002040
99201413	AP1002041
99201414	AP1002045
99201418	AP1002050
99201420	AP1002084
99201422	AP1002085
99201424	AP1002086
99201510	AP1002330
99202008	AP1002293
99202009	AP1003045
99202011	AP1002294
99202012	AP1004035
99202013	AP1004194
99202014	AP1002785
99202015	AP1000216
99202016	AP1002757
99202017	AP1000231
99202018	AP1002846
99202019	AP1002778
99202021	AP1002805
99202022	AP1000240
99202024	AP1003046
99202025	AP1000249
99202026	AP1000249
99202027	AP1000249
99202028	AP1000249
99202031	AP1000257
99202032	AP1002308
99202035	AP1000292
99202036	AP1000298
99202038	AP1000303
99202039	AP1000305
99202040	AP1000302
99202041	AP1000313
99202042	AP1000248
99202062	AP1000370
99202063	AP1000373
99202220	AP1002243
99202322	AP1001790
99202325	AP1001794
99202409	AP1002367
99202410	AP1003058
99202412	AP1002117

PART NUMBER	OPTIBELT AP
99202413	AP1002118
99202415	AP1002115
99202420	AP1002133
99202423	AP1002174
99202424	AP1002174
99202425	AP1002174
99202428	AP1002203
99202429	AP1002195
99202430	AP1002129
99202431	AP1004940
99202432	AP1004941
99202433	AP1004703
99202435	AP1004939
99203005	AP1000538
99203006	AP1000539
99203008	AP1000544
99203010	AP1000547
99203012	AP1000553
99203014	AP1000561
99203015	AP1000565
99203016	AP1003495
99203017	AP1000575
99203018	AP1000575
99203019	AP1000575
99203020	AP1000565
99203021	AP1005144
99203022	AP1002900
99203023	AP1000596
99203024	AP1000565
99203025	AP1000575
99203026	AP1000575
99203027	AP1000575
99203029	AP1000624
99203038	AP1000675
99203039	AP1003534
99203042	AP1000697
99203045	AP1000709
99203046	AP1000712
99203048	AP1000715
99203050	AP1000724
99203052	AP1000731
99203056	AP1000745
99203063	AP1000769
99203082	AP1002902
99203083	AP1000558
99203085	AP1000576
99203086	AP1002904
99203087	AP1000578
99203088	AP1000578
99203090	AP1000588
99203091	AP1002901
99203093	AP1003536
99203203	AP1000767
99203204	AP1002906
99203208	AP1002241
99203210	AP1002242
99203211	AP1002244
99203212	AP1002225
99203213	AP1002227

PART NUMBER	OPTIBELT AP
99203215	AP1002221
99203216	AP1002222
99203218	AP1002227
99203245	AP1002254
99203250	AP1002255
99203310	AP1001150
99203315	AP1001151
99203320	AP1001152
99203330	AP1001272
99203331	AP1001273
99203332	AP1001274
99203333	AP1001153
99203335	AP1001154
99203415	AP1000912
99203418	AP1000918
99203419	AP1000919
99203422	AP1000922
99204062	AP1000969
99204076	AP1000972
99207010	AP1001345
99207113	AP1001348
99207225	AP1001341
0000930	AP1004036
0000930D	AP1004036
0000930M	AP1002296
0000939	AP1000211
0000942	AP1003389
0000942D	AP1003389
0000943	AP1000544
0000944	AP1003489
0001108	AP1002271
0001218	AP1002273
01142085	AP1002404
AC494745	AP1001026
AC494836	AP1001025
AC690011	AP1002416
AC690071	AP1002739
AC690081	AP1002419
AC690115	AP1002413
AC690123	AP1002417
AC690131	AP1002420
AC690132	AP1002419
AC690137	AP1002411
AC690138	AP1002418
AC690140	AP1000989
AC690149	AP1002414
AC690150	AP1002416
AC690164	AP1002410
AC690181	AP1002412
AC690201	AP1002407
AC690202	AP1002406
ND9036	AP1002090
ND9073	AP1002095
ND9092	AP1002197
ND9198	AP1002135
ND9240	AP1002077
ND9257	AP1002052
ND9359	AP1003681
ND9471	AP1003680

PART NUMBER

PART NUMBER	OPTIBELT AP
ND96001	AP1000369
ND96006	AP1000733
ND96008	AP1002103
ND96016	AP1002185
ND96023	AP1002202
ND96029	AP1000397
ND96053	AP1003684
ND96063	AP1002099
ND96067	AP1002184
ND96068	AP1002196
ND96070	AP1002159
ND96074	AP1002050
ND96075	AP1002204
ND96078	AP1002579
ND96082	AP1002327
ND96083	AP1002054
ND96084	AP1003682
ND96085	AP1002328
ND96087	AP1002191
ND96089	AP1002189
ND96090	AP1002063
ND96091	AP1002194
ND96096	AP1002356
ND96108	AP1002721
ND96109	AP1002139
ND96120	AP1004947
ND96123	AP1004940
ND96125	AP1004943
ND96132	AP1004944
ND96137	AP1004949
ND9629	AP1002328
ND9630	AP1003692
ND9674	AP1000361
ND9704	AP1002187
ND9732	AP1002388
ND9775	AP1002144
ND9909	AP1002132
ND9928	AP1002375
ND9958	AP1002179
RG00035618	AP1002274
RG00037276	AP1002272
RG00040590	AP1002275
RG00040922	AP1002270
RG00040955	AP1002269
KZK YENISEY	
28X16 X 1180 LP	AP1003306
28X16 X 1450 LP	AP1003307
38X18 X 1500 LP	AP1001003
38X18 X 2000 LP	AP1003308
38X18 X 2400 LP	AP1003309
3-HB 1650 LA	AP1003290
3-HB 2215 LA	AP1003630
3-HB 2302 LA	AP1003292
3-HB 2462 LA	AP1003293
3-HB 2907 LA	AP1003636
3-HB 3820 LA	AP1001884
45X22 X 2385 LP	AP1003310
45X22 X 4000 LP	AP1002723

PART NUMBER	OPTIBELT AP
4-HB 1662 LA	AP1003296
4-HB 1877 LA	AP1003297
4-HB 2200 LA	AP1003659
4-HB 2215 LA	AP1003299
4-HB 2907 LA	AP1003300
4-HB 3820 LA	AP1003301
5-HB 2777 LA	AP1003302
5-HB 3820 LA	AP1003303
5-HB 4012 LA	AP1003304
5-HB 6377 LA	AP1003305
KB 2/5V 1900 LA	AP1003288
KB 2/5V 2120 LA	AP1003289
2-HB 1862 LA	AP1003283
2-HB 1962 LA	AP1001568
2-HB 2062 LA	AP1001574
2-HB 3820 LA	AP1003285
2-HB 4432 LA	AP1003286
2-HB 4562 LA	AP1003287
A 2530 LP	AP1000148
A 2800 LP	AP1000156
A 3150 LP	AP1003269
A 3750 LP	AP1004376
B 2420 LP	AP1000302
C 1900 LP	AP1003272
C 2000 LP	AP1000579
C 2120 LP	AP1000590
C 2240 LP	AP1000597
C 2800 LP	AP1003273
C 2810 LP	AP1000652
C 3000 LP	AP1003274
C 3081 LP	AP1000682
C 3750 LP	AP1000736
C 4276 LP	AP1003276
C 4750 LP	AP1005147
C 7500 LP	AP1000863
D 1900 LP	AP1003282
D 2120 LP	AP1003277
D 3475 LP	AP1002702
D 3750 LP	AP1003278
D 4500 LP	AP1003279
D 5300 LP	AP1000972
HCM 2010 LA	AP1003280
SPC 2360 LP	AP1003281
LAVERDA	
340435138	AP1004295
340435120	AP1001468
H80896	AP1002569
H81742	no AP
H86259	no AP
H138762	AP1000710
H76136	AP1000542
344311318	AP1005160
LA344311318	AP1005160
340433129	AP1000104
344311126	AP1003608
LA344311126	AP1003608
340433539	AP1001120
LA340433539	AP1001120

PART NUMBER	OPTIBELT AP
340433316	AP1000367
340433446	AP1000787
LA340433446	AP1000787
340433181	AP1003379
LA340433181	AP1003379
340433134	AP1000107
LA340433134	AP1000107
340435147	AP1003848
340435150	AP1001422
LA340435150	AP1001422
340435151	AP1001419
340433191	AP1000170
340433469	AP1000624
340434138	AP1001061
LA340434138	AP1001061
340433422	AP1005145
344311127	AP1001637
LA344311127	AP1001637
340433424	AP1000614
344311134	AP1004071
340435152	AP1001539
LA340435152	AP1001539
344311137	AP1001679
340433457	AP1003833
340433984	AP1001346
344311226	AP1001835
LA344311226	AP1001835
340435124	AP1001468
340435127	AP1004072
282631119	AP1004297
28263120	AP1004281
28263240	AP1004284
28264254	AP1004294
41990027	AP1004300
87800127	AP1002567
340344276	AP1004413
340433132	AP1000101
340433141	AP1000115
340433144	AP1005103
340433166	AP1004274
340433174	AP1004931
340433195	AP1004275
340433198	AP1000165
340433280	AP1005133
340433537	AP1005213
340433970	AP1005061
340433985	AP1001360
340433986	AP1001362
340435155	AP1001540
344311113	AP1005129
344311117	AP1003592
344311121	AP1001591
344311124	AP1001624
344311128	AP1005045
344311129	AP1001642
344311132	AP1004283
344311212	AP1005048
344311229	AP1004286
344311230	AP1001888

PART NUMBER



AG - BI
CA - CL
DE - DR
FE - FO
GL - GR
IN - JO
KP - KZ
LA - ME
NE - RO
SA - ST
VA - ZM
PARTS
SERVICE

PART NUMBER	OPTIBELT AP
344311231	AP1003852
344311232	AP1005090
344311233	AP1001820
344311236	AP1004287
344311238	AP1003630
344311239	AP1004290
344311240	AP1004285
344311309	AP1004289
344311320	AP1005090
344411229	AP1001820
344411318	AP1002000
344435155	AP1001540
984909360	AP1002562
3404339850	AP1001360
3404339860	AP1001362
3443112310	AP1003852
3443112320	AP1005090
340435146K	AP1004271
6237302M1	AP1003038
6247230M1	AP1004293
6247231M1	AP1004069
6247232M1	AP1004277
6247944M1	AP1004291
6247946M1	AP1004296
6248653M1	AP1004282
6248658M1	AP1004279
6248667M1	AP1004278
6248670M1	AP1004280
7059737M1	AP1004292
7061016M1	AP1004288
7061235M1	AP1004298
7061926M1	AP1004299
LA340435155	AP1001540
LA344311117	AP1003592
LA344311121	AP1001591
LA344311124	AP1001624
LA344311128	AP1005045
LA344311230	AP1001888
LA344311233	AP1001820
340433531	AP1005102
340433537	AP1005213
340433162	AP1004273
340433289	AP1000302
340433409	AP1000541
340435146	AP1004271
340434140	AP1000999
340433435	AP1000702
344311139	AP1001688
340433475	AP1000588
340435131	AP1001499
LA340433984	AP1001346
344312128	AP1003623
LA344312128	AP1003623
344311123	AP1001622
340433131	AP1000106
340433260	AP1000241
340433270	AP1000256
344311130	AP1001652
344311151	AP1001717

PART NUMBER	OPTIBELT AP
LA344311151	AP1001717
344311228	AP1003630
340433159	AP1000135
340435153	AP1001424
LA340435153	AP1001424
340433268	AP1000252
340433405	AP1000554
LA340433405	AP1000554
340433262	AP1000244
LA340433262	AP1000244
340433151	AP1000124
340433152	AP1000119
344311227	AP1001820
LA344311227	AP1001820
340433259	AP1000225
340433253	AP1000231
LA340433253	AP1000231
340435120 K	AP1001468
LA340435120 K	AP1001468
340433423	AP1000613
340433179	AP1000149
340435117	AP1001161
E38713	AP1000107
340433272	AP1000266
MASSEY FERGUSON	
41958500	AP1000859
41955900	AP1000704
41935700	AP1000323
41988700	AP1000900
41926300	AP1000230
71320449	AP1005140
71438552	AP1005163
112366410100	AP1005144
117512510400	AP1005305
117522513800	AP1003232
117537513400	AP1001657
6313477M1	AP1005076
038580T1	AP1005302
039229T1	AP1000703
063971T1	AP1000603
227986M2	AP1005141
2833904M3	AP1005162
3370141M1	AP1005129
3654924M1	AP1002534
3669118M1	AP1002556
417441M1	AP1001471
785810M1	AP1005140
843760M1	AP1005148
906424M2	AP1002584
ACW0529040	AP1005165
V685081730	AP1002656
41930300	AP1000260
41934800	AP1002768
41929000	AP1000251
D41929000	AP1000251
41936200	AP1002770
1724154M1	AP1000647
417974M1	AP1000649

PART NUMBER	OPTIBELT AP
621259M1	AP1000547
621261M1	AP1000284
417468M1	AP1003397
418232M1	no AP
1721710M1	AP1002096
621258M1	AP1000346
905921M1	AP1004743
905920M1	AP1001450
417972M1	AP1000885
1722835M1	AP1000587
402607M1	AP1003515
621262M1	AP1000211
418192M1	AP1000547
410959M1	AP1000614
1604401M1	AP1000370
832877M1	AP1000232
833768M1	AP1001402
834140M1	AP1000734
230381M1	AP1000538
834058M1	AP1000598
834190M1	AP1000597
832789M3	AP1001442
834139M1	AP1000567
832878M1	AP1000596
227984M1	AP1000731
834492M2	AP1000211
1603701M1	AP1001641
1720255M1	AP1001871
784797M2	AP1000214
1855008M1	AP1000572
832490M1	AP1001277
893575M1	AP1000060
793863M1	no AP
795514M4	AP1000264
832538M1	AP1003431
1615254M1	AP1003999
320593M2	AP1001361
784796M2	AP1000731
789853M1	AP1001403
1615333M1	AP1003997
785810M1	AP1005140
621588M1	AP1000668
905980M1	AP1001552
1720205M3	AP1001889
1720674M2	AP1000220
795582M2	AP1000249
785585M3	AP1000598
1616477M1	AP1000211
619317M2	AP1000563
789967M1	AP1000986
789930M1	AP1002617
784170M2	AP1000425
3370141M1	AP1005129
843313M1	AP1001016
843045M1	AP1002543
834332M1	AP1000304
843760M1	AP1005148
240575M2	AP1002298
833962M1	AP1004120

PART NUMBER

PART NUMBER	OPTIBELT AP
843747M1	AP1000827
843732M2	AP1001443
844091M1	AP1001445
532779M92	AP1002933
230380M1	AP1000541
227457M1	AP1000572
227976M1	AP1000214
843737M1	AP1000216
834176M1	AP1001806
834175M1	AP1001842
227986M2	AP1005141
228813M3	AP1000543
1051235M1	AP1000878
842935M1	AP1000538
3043153M1	AP1001399
3043154M1	AP1001398
1687531M1	AP1002558
789931M1	AP1002616
222882M2	AP1000232
259047M91	AP1000131
265522M91	AP1000133
1686883M1	AP1002534
833874M1	AP1001848
833854M2	AP1000335
833868M2	AP1001483
833871M1	AP1001747
843948M1	AP1001451
832906M1	AP1000758
833872M1	AP1000762
833855M1	AP1000419
843310M1	AP1000429
273757M91	AP1000381
274015M91	AP1003436
281560M91	AP1000292
833863M1	AP1001400
833856M1	no AP
833858M4	no AP
844077M1	no AP
842809M1	AP1000700
833873M1	AP1001568
273837M91	AP1002490
833867M1	AP1000119
274339M91	AP1000128
833865M1	AP1001973
833860M1	AP1000819
3386214M1	AP1002541
521110M1	AP1002531
529964M1	AP1002534
227455M1	AP1000698
284633M91	AP1003757
1483277M1	AP1000349
844306M1	AP1000116
833862M3	AP1003597
832832M1	AP1000688
2834466M1	AP1003399
3145238M1	AP1002584
487802M2	AP1002550
1483884M1	AP1000677
101102M1	AP1001662

PART NUMBER	OPTIBELT AP
2593000W1	AP1001604
1680230W1	AP1004118
104072W1	AP1001171
103319M1	AP1000692
71379105	AP1001170
71385801	AP1003628
71388712	AP1000821
71386352	AP1001900
71385693	AP1003357
71387775	AP1003643
111954W1	AP1001166
71148120	AP1002556
31-2449520	AP1003299
228722M1	AP1000214
233950M1	AP1000211
1720488M1	AP1000675
912877M1	AP1001181
619327M1	AP1004086
619595M1	AP1000536
782850M2	AP1000537
324872M1	AP1000215
320595M2	AP1000540
322768M1	AP1000538
320496M3	no AP
320623M2	AP1000296
321034M3	AP1004428
320596M1	AP1003412
320551M1	AP1001063
410195M1	AP1002281
401110M1	AP1001160
402608M3	no AP
403041M1	AP1004036
403071M1	AP1000269
328656M1	AP1000527
402604M1	AP1003390
402605M1	AP1000264
402606M1	AP1000637
843324M1	AP1000804
412236M1	AP1000668
412074M1	AP1000230
412333M1	AP1003574
412237M1	AP1000886
412399M1	AP1000557
71403685	AP1000696
71390199	AP1003933
71390188	AP1001877
71418976	AP1003716
71418984	AP1004614
V685121585	AP1004124
71398388	AP1001391
71406339	AP1003617
71406361	AP1001645
71398384	AP1004135
71399505	no AP
71399519	AP1001148
71396754	AP1004364
71388216	AP1004622
71427255	AP1000801
71406338	AP1001648

PART NUMBER	OPTIBELT AP
71410767	AP1001653
71414420	AP1000703
71418978	AP1003717
71403721	AP1002009
71406285	AP1001961
71406286	AP1001831
41983500	AP1000609
41989200	AP1000908
41989400	AP1000911
41991700	AP1001844
41982400	AP1000585
41990100	AP1001377
41987800	AP1000620
41988000	AP1000698
41993400	AP1003633
41930200	AP1000260
41942100	AP1000404
41987300	AP1000815
41912400	AP1003380
41982500	AP1000585
41987900	AP1000575
41982200	AP1003232
41983600	AP1000609
41963900	AP1000233
41990400	AP1003581
41912300	AP1003380
41980900	AP1001526
D41980900	AP1001526
41982100	AP1003232
41990051	AP1001877
41990050	AP1003920
41942200	AP1000410
41985600	AP1000693
41984100	AP1000655
41990068	AP1001368
41978400	AP1001725
41986300	AP1000756
41991000	AP1002346
41990009	AP1002357
41979600	AP1003347
41950100	AP1000628
41950400	AP1000624
41990069	AP1001378
41991300	AP1001836
41987600	AP1000853
41979800	AP1001990
41990001	AP1002212
41981000	AP1001539
41979900	AP1003576
41979100	AP1001607
41978900	AP1001730
41933700	AP1000301
41979000	AP1001632
41911000	AP1000143
41986100	AP1000675
D41986100	AP1000675
41998800	AP1000278
41978800	AP1001683
41909000	AP1003748

PART NUMBER



AG - BI
 CA - CL
 DE - DR
 FE - FO
 GL - GR
 IN - JO
 KP - KZ
 LA - ME
 NE - RO
 SA - ST
 VA - ZM
 PARTS
 SERVICE

PART NUMBER	OPTIBELT AP
41981200	AP1001427
D41981200	AP1001427
41981100	AP1001436
D41981100	AP1001436
41985200	AP1000603
41985300	AP1000620
MDW	
60067613	AP1001516
72049753	AP1001317
770000466	AP1004887
770000482	AP1001630
770000730	AP1001718
770000827	AP1004116
770001153	AP1001724
770002340	AP1004531
020797321	AP1001663
MENGELE	
04-109135	AP1002019
98-006272	AP1000452
98-011048	AP1000466
98-014367	AP1004036
98-017686	AP1000473
98-017967	AP1002214
98-018167	AP1002452
98-020849	AP1000461
98-021123	AP1002562
98-022200	AP1004108
98-022265	AP1000472
98-022731	AP1000138
98-023422	AP1003625
98-024340	AP1000442
98-025521	AP1002045
98-026937	AP1005132
98-028264	AP1000473
98-028266	AP1000466
98-028267	AP1000469
98-028268	AP1000470
98-028271	AP1000458
98-028534	AP1001252
98-029383	AP1002462
98-029384	AP1002487
98-031590	AP1001847
98-031801	AP1004575
98-031803	AP1001899
98-036045	AP1001896
98-036276	AP1001258
98-036317	AP1001010
98-039776	AP1001265
98-039955	AP1001895
98-041405	AP1000560
98-041414	AP1001550
98-041435	AP1002021
98-041779	AP1001897
98-042197	AP1001257
98-042202	AP1003035
98-042380	AP1002301
98-042442	AP1001880

PART NUMBER	OPTIBELT AP
98-042619	AP1002042
98-043775	AP1001908
98-043776	AP1001904
98-043777	AP1001906
98-043929	AP1000559
MERCEDES	
A0019932496	AP1003950
A0129973892	AP1003951
A0149976092	AP1003952
A5419970992	AP1003953
A5429970192	AP1003954
NEW HOLLAND	
80333255	AP1000775
337415	AP1000625
80337415	AP1000625
80334065	AP1001403
80330715	AP1000726
80230059	AP1000654
80230043	AP1000224
80230061	AP1004467
80230046	AP1004468
80327040	AP1002267
80371222	AP1002547
80326298	AP1003489
80230078	AP1001509
330204	AP1000243
80330204	AP1000243
80230073	AP1000904
80230060	AP1003534
80336386	AP1000027
386155	AP1000022
80336426	AP1002460
80386155	AP1000022
80230057	AP1000603
80230103	AP1000881
80230056	AP1003232
80230108	AP1003452
80362500	AP1005139
80336784	AP1001506
80323646	AP1001949
80333958	AP1000715
80230164	AP1000622
80353584	AP1000734
80323413	AP1000577
80350236	AP1003640
80356025	AP1001525
80443634	AP1002543
80395955	AP1003492
80431784	AP1000328
80422731	AP1000696
80387469	AP1000700
80066232	AP1000690
80443636	AP1002460
80427456	AP1003351
80451481	AP1001946
80393326	AP1003323
80397297	AP1001858

PART NUMBER	OPTIBELT AP
80605529	AP1000366
80424318	AP1001467
605529	AP1000366
80410896	AP1000567
80230077	AP1001489
80356024	AP1001489
80399058	AP1002599
80378989	AP1000243
80388280	AP1001410
80396750	AP1000577
80437033	AP1003232
80447031	AP1001872
80424563	AP1001765
80321559	AP1001512
80411543	AP1003662
80391650	AP1001977
80384397	AP1004896
80387460	AP1001537
87621086	AP1001537
80391142	AP1000328
80391143	AP1000328
80432642	AP1003746
84017742	AP1001167
84026761	AP1002746
84012975	AP1002087
84022807	AP1001132
80747177	AP1002582
89835815	AP1002588
89814069	AP1001557
89593440	AP1000816
84004444	AP1001657
84005417	AP1001655
84995733	AP1005291
86514163	AP1005039
756971	AP1005148
824175	AP1005216
80362500	AP1005139
80445640	AP1003492
80446780	AP1005157
80754285	AP1005144
89514989	AP1001679
89817454	AP1000081
89832309	AP1001861
89850770	AP1005144
K68073	AP1002465
84072421	AP1002036
87011585	AP1001636
87580097	AP1001978
87580100	AP1004127
87580099	AP1001627
86566287	AP1000532
84056913	AP1000265
87526022	AP1001647
84818007	AP1002621
87676816	AP1005299
445930	AP1002074
84057085	AP1000175
87556830	AP1004157
86589482	AP1001914

PART NUMBER

PART NUMBER	OPTIBELT AP
84058339	AP1000200
87319821	AP1004066
84817627	AP1001135
87545653	AP1004148
87545651	AP1004150
87557181	AP1004139
87546479	AP1001636
87315599	AP1005121
87325684	AP1004179
87284244	AP1004162
87664428	AP1004111
747177	AP1002582
87636309	AP1004115
84818008	AP1004045
87676816	AP1005299
87053803	no AP
9513136	AP1004110
84320963	AP1001646
919739	AP1001136
500371653	AP1004934
84817638	AP1003807
84993120	AP1002011
84076421	AP1001705
84075955	AP1003347
84452153	AP1004044
84452112	AP1004114
84073979	AP1001421
84015531	AP1000601
84073276	AP1000340
84072772	AP1001237
84072815	AP1001952
84073933	AP1000566
84035748	AP1001316
84982278	AP1001697
84991234	AP1001922
84446792	AP1003326
84061465	AP1002586
84989965	AP1000169
84607712	AP1001850
84991836	AP1000653
84981586	AP1001720
89817374	AP1001876
84462590	AP1000653
87521887	AP1000341
84817635	AP1000601
84790356	AP1004472
84061463	AP1004160
87374615	AP1004049
84817626	AP1002579
84607713	AP1001853
84045256	AP1000638
84061293	AP1001634
84057914	AP1003844
84075345	AP1001636
84075635	AP1001687
84057392	AP1003337
84432785	AP1000680
84057482	AP1000400
84057874	AP1000699

PART NUMBER	OPTIBELT AP
84435035	AP1001644
84061615	AP1001884
84061279	AP1001880
89835816	AP1002588
84057710	AP1002690
84073457	AP1000256
84057393	AP1001581
84457079	AP1001583
84334995	AP1004196
87339998	AP1004042
84459056	AP1002593
84023277	AP1001132
84023278	AP1001133
9502654	AP1001135
9835816	AP1002588
84434260	AP1001714
84434295	AP1001645
80230045	AP1001568
9818704	AP1002589
87535206	AP1003727
89818704	AP1002589
84448591	AP1000657
9850782	AP1001491
89850782	AP1001491
336784	AP1001506
9515075	AP1001428
89515075	AP1001428
9515076	AP1001416
89515076	AP1001416
89837412	AP1000573
84971217	AP1001782
89818873	AP1003662
89514310	AP1000152
89831515	no AP
89818705	AP1004896
84005860	AP1002636
9838606	AP1000654
89838606	AP1000654
89817487	AP1004471
89817488	AP1001780
89835120	AP1001781
89839375	AP1000774
80825013	AP1001562
80755808	AP1001488
80455865	AP1001954
80433746	AP1003252
80434222	AP1001635
80743877	AP1003349
80440780	no AP
80448794	AP1000756
80186347	AP1000630
80434047	AP1001602
80434046	AP1000657
80439495	AP1000173
80439496	AP1002609
80439832	AP1001415
80434160	no AP
80433639	AP1000237
80750166	AP1001242

PART NUMBER	OPTIBELT AP
750290	AP1002008
80750290	AP1002008
84817628	AP1000631
80453268	AP1003311
80919681	AP1001602
84817632	AP1001861
84817636	AP1003404
448794	AP1000756
89832601	AP1001288
80750318	AP1001134
452023	AP1002595
80748003	AP1003746
80436304	AP1002482
84000191	AP1003616
84000189	AP1000668
80457309	AP1000181
84817623	AP1001954
84817631	AP1003668
84817629	AP1001557
9593400	AP1002029
89593418	AP1000813
84817639	AP1002608
84817670	AP1002969
84817630	AP1002606
84022715	no AP
84021588	AP1000083
84007307	AP1002605
84021590	AP1000082
4796327	AP1002461
87324567	AP1002575
715785	AP1004170
626654	AP1002567
716254	no AP
682008	AP1004122
259346	AP1002549
80259346	AP1002549
621367	AP1004120
849514	AP1004169
9613963	AP1004140
855676	AP1003746
577240	AP1002565
624650	AP1000258
615790	AP1004108
626657	AP1002567
774747	AP1001633
710752	AP1004167
773300	AP1004168
649035	AP1004151
618040	AP1004117
768340	AP1004158
859063	AP1004164
9604713	AP1004126
797979	AP1004152
9609607	AP1000230
773255	AP1002582
86518568	no AP
86503087	AP1004123
86514256	AP1004119
80922872	AP1002004

PART NUMBER



AG - BI
CA - CL
DE - DR
FE - FO
GL - GR
IN - JO
KP - KZ
LA - ME
NE - RO
SA - ST
VA - ZM
PARTS
SERVICE

PART NUMBER	OPTIBELT AP
80922911	AP1002004
89512971	AP1000554
80913151	AP1000264
80913153	AP1000081
80923019	AP1000166
89513984	AP1000631
80754285	AP1005144
80754389	AP1003339
80754388	AP1003341
89502654	AP1001135
80446780	AP1005157
80919739	AP1001136
80754165	AP1002415
84015852	AP1000231
89593464	AP1004077
84817640	AP1005124
84017621	AP1003617
84000838	AP1002603
84041518	AP1002608
PÖTTINGER	
460013	AP1000359
460047	AP1002058
460048	AP1002323
460053	AP1004992
460054	AP1004993
460055	AP1002403
460056	AP1003694
460057	AP1002062
460061	AP1002066
460062	AP1002064
460063	AP1002073
460064	AP1004994
460066	AP1002068
460079	AP1004995
460165	AP1004996
460166	AP1004997
460182	AP1004998
460184	AP1004955
460185	AP1004999
460186	AP1002135
460188	AP1002149
460192	AP1002176
460194	AP1000211
460195	AP1003389
460196	AP1000249
460197	AP1003415
460198	AP1003680
460199	AP1002181
460201	AP1000185
460212	AP1003431
460216	AP1002818
460217	AP1000251
460218	AP1000205
460222	AP1000243
460223	AP1000261
460231	AP1000184
460253	AP1000500
460259	AP1002312

PART NUMBER	OPTIBELT AP
460408	AP1001130
460409	AP1002291
460411	AP1000329
460412	AP1000340
460413	AP1000374
460420	AP1002311
460452	AP1001984
460453	AP1001985
460000042	AP1004984
460000043	AP1004985
4601730004	AP1004986
4601740003	AP1004987
4601800003	AP1004988
4601810003	AP1004989
4601830004	AP1004990
4604220004	AP1004991
460.000.0026	AP1000254
RENAULT AGRICULTURE	
7701029709	AP1004878
ROSTSELMACH	
6201348	AP1002730
6201326	AP1003317
6201354	AP1000972
6201316	AP1001609
6201017	AP1000835
6201353	AP1000970
6201290	AP1002702
6201005	AP1004035
6201006	AP1002701
6201022	AP1000729
6201023	AP1000830
6201029	AP1001661
6201080	AP1002300
6201081	AP1002518
6201083	AP1002715
6201084	AP1003323
6201085	AP1002714
6201086	AP1002716
6201087	AP1002719
6201088	AP1002704
6201089	AP1002705
6201091	AP1003314
6201096	AP1001082
6201097	AP1000238
6201195	AP1002014
6201196	AP1001301
6201265	AP1002716
6201277	AP1002232
6201298	AP1003688
6201315	AP1005136
6201317	AP1002706
6201318	AP1002707
6201319	AP1001848
6201320	AP1002713
6201322	AP1002712
6201324	AP1002132
6201329	AP1002725

PART NUMBER	OPTIBELT AP
6201330	AP1003323
6201335	AP1003331
6201339	AP1003680
6201340	AP1002708
6201341	AP1002726
6201342	AP1005147
6201349	AP1000704
6201350	AP1002729
6201356	AP1000428
6201357	AP1002700
6201358	AP1002727
6201363	AP1001617
6201373	AP1001102
6201379	AP1003751
6201380	AP1001963
6201381	AP1003756
6201382	AP1001575
6201383	AP1002709
6201384	AP1001314
6201387	AP1002121
6201392	AP1001654
6201393	AP1004311
6201394	AP1001998
6201396	AP1002135
6201397	AP1001582
6201399	AP1001921
6201400	AP1001663
6201401	AP1000174
6201403	AP1001324
6201404	AP1001638
6201405	AP1000226
6201406	AP1000171
6201408	AP1002711
6201411	AP1002358
6201412	AP1003328
6201413	AP1002009
6201414	AP1002559
6201415	AP1002717
6201416	AP1002731
6201417	AP1002732
6201418	AP1002734
6201419	AP1001604
6201420	AP1002705
6201421	AP1004703
6201422	AP1002733
6201424	AP1002710
6201426	AP1003933
6201428	AP1004523
6201432	AP1004895
6201437	AP1004703
6201461	AP1002537
6201249	AP1001306
6201246	AP1001291
6201297	AP1002229
6201269	AP1003313
6201378	AP1001673
6201273	AP1001003
6201275	AP1003315
6201376	AP1005153

PART NUMBER

PART NUMBER	OPTIBELT AP
6201375	AP1001700
6201094	AP1002007
6201377	AP1001305
6201251	AP1003329
6201263	AP1002213
6201028	AP1000217
6201371	AP1002529
6201271	AP1002226
6201272	AP1002185
6201270	AP1002247
6201253	AP1002220
6201260	AP1002252
6201197	AP1002236
6201254	AP1001060
6201327	AP1002538
6201266	AP1002721
6201328	AP1002248
6201325	AP1000751
6201347	AP1000722
6201166	AP1001193
6201264	AP1001962
6201247	AP1001327
6201351	AP1001081
6201258	AP1001203
6201256	AP1000773
6201355	AP1000303
6201346	AP1000636
6201345	AP1000608
6201343	AP1000579
6201352	AP1002315
6201255	AP1002723
6201344	AP1003324
6201016	AP1001986
6201015	AP1001259
6201315	AP1005136
6201342	AP1005147
6201367	AP1005222
6201376	AP1005153
6201423	AP1004883
6201431	AP1005097
6201452	AP1005068
6201460	AP1005094
6201485	AP1005096
6201491	AP1005113
6201495	AP1005148
6201496	AP1005126
6201506	AP1005127
6201517	AP1005091
6201518	AP1005085
6201519	AP1005090
6201520	AP1005092
6201521	AP1005086
6201523	AP1005087
6201526	AP1005089
6201528	AP1005063
6201529	AP1005064
6201530	AP1005093
6201534	AP1000275
6201535	AP1005128

PART NUMBER	OPTIBELT AP
6201536	AP1000717
6201537	AP1000816
6201541	AP1005219
6201547	AP1005096
6201550	AP1005114
6201551	AP1005130
6201558	AP1002008
6201560	AP1005181
6201570	AP1005115
6201571	AP1005116
6201572	AP1005159
6201573	AP1001857
6201587	AP1005166
SAMPO	
614214	AP1000238
614218	AP1003418
615147	AP1005148
615162	AP1003991
615163	AP1000622
615165	AP1004936
615167	AP1000675
615169	AP1000619
619082	AP1001614
619091	AP1003337
619096	AP1004528
619190	AP1001505
1472227	AP1002549
0613116	AP1000104
0613122	AP1003818
0613124	AP1000115
0613126	AP1002059
0613128	AP1000118
0614115	AP1000214
0614125	AP1000238
0614136	AP1000275
0614148	AP1000325
0614150	AP1000339
0614152	AP1000343
0614166	no AP
0614212	AP1000235
0614215	AP1002304
0614217	AP1003839
0614222	AP1003840
0614224	AP1000257
0614225	AP1003834
0614226	AP1003841
0614227	AP1000269
0614242	AP1000300
0614246	AP1000313
0614260	AP1000370
0615108	AP1000548
0615109	AP1003495
0615116	AP1000575
0615124	AP1003821
0615128	AP1000645
0615129	AP1000664
0615130	AP1000646
0615135	AP1000652

PART NUMBER	OPTIBELT AP
0615139	AP1004894
0615146	AP1000781
0615147	AP1005148
0615151	AP1003556
0615159	AP1000755
0615168	AP1003822
0615170	AP1000622
0615173	AP1003516
0615179	AP1000669
0615184	AP1000745
61533	AP1000698
0619054	AP1004099
0619062	AP1004867
0619065	AP1001633
0619070	no AP
0619080	AP1001839
0619081	AP1001616
0619083	AP1001461
0619085	AP1003854
0619087	AP1004566
0619090	AP1001898
0619168	AP1003823
0619169	AP1001502
0619170	AP1004877
0619175	AP1004067
0619179	AP1001505
0619185	AP1004742
0619191	AP1003944
0619192	AP1003824
R634644	AP1000339
R634650A	AP1003821
R634655	AP1005148
R644247A	AP1000325
R652307A	AP1000652
R680791	AP1003823
R680812B	AP1001898
R694252A	AP1002304
R694253	AP1000645
R694254	AP1003834
R694255A	AP1003495
R694256	AP1000745
R694263	AP1003841
R694943	AP1003818
R696665	AP1003822
R698062	AP1003842
R698063	AP1003839
R700327	AP1003840
R700328	AP1000235
R701183	AP1003824
R706495	AP1000257
614150	AP1000339
614215	AP1002304
614225	AP1003834
614227	AP1000269
614242	AP1000300
615109	AP1003495
615124	AP1003821
615128	AP1000645
615135	AP1000652

PART NUMBER



AG - BI
 CA - CL
 DE - DR
 FE - FO
 GL - GR
 IN - JO
 KP - KZ
 LA - ME
 NE - RO
 SA - ST
 VA - ZM
 PARTS
 SERVICE

PART NUMBER	OPTIBELT AP
615139	AP1004894
615151	AP1003556
615168	AP1003822
615182	AP1000702
615184	AP1000745
619062	AP1004867
619077	AP1001571
619085	AP1003854
619087	AP1004566
619090	AP1001898
619191	AP1003944
619192	AP1003824
613116	AP1000104
613126	AP1002059
614115	AP1000214
614246	AP1000313
614260	AP1000370
615108	AP1000548
615129	AP1000664
615159	AP1000755
615170	AP1000622
615173	AP1003516
619065	AP1001633
619081	AP1001616
619169	AP1001502
614136	AP1000275
615116	AP1000575
615146	AP1000781
615179	AP1000669
619054	AP1004099
619175	AP1004067
613124	AP1000115
613128	AP1000118
614148	AP1000325
619080	AP1001839
STOLL	
464580	AP1004237
465620	AP1004201
465930	AP1004240
470590	AP1004241
497480	AP1004238
497540	AP1004204
1592600	AP1004239
0071480	AP1004228
0204480	AP1004229
0204510	AP1004234
0401820	AP1004243
0402980	AP1004236
0425540	AP1000585
0440800	AP1003552
0441330	AP1004036
0441770	AP1002121
0441840	AP1004221
0441860	AP1004248
0443880	AP1000505
0445510	AP1002148
0451680	AP1005153
0453850	AP1002117

PART NUMBER	OPTIBELT AP
0455990	AP1000645
0456660	AP1003680
0457280	AP1002721
0462560	AP1004235
0462680	AP1004246
0464590	AP1004222
0465180	AP1002119
0465510	AP1004219
0465530	AP1000602
0465850	AP1004218
0465860	AP1000245
0467010	AP1004227
0467390	AP1004223
0467640	AP1004225
0469250	AP1004247
0469800	AP1004244
0469810	AP1004250
0474850	AP1005132
0476430	AP1000541
0476440	AP1000632
0479100	AP1004249
0480490	AP1003392
0488950	AP1004245
0496030	AP1004231
1361-2406	AP1003484
1361-3202	AP1000263
1361-3404	AP1000587
1361-4101	AP1000272
1361-4401	AP1000590
1361-4402	AP1000591
1361-4403	AP1000602
1361-5202	AP1000300
1361-5402	AP1000609
1361-5404	AP1000624
1361-5405	AP1000625
1361-5501	AP1000940
1361-5502	AP1000939
1361-6102	AP1000335
1361-6401	AP1000670
1361-6402	AP1000643
1361-6404	AP1000652
1361-6405	AP1000659
1361-6406	AP1000628
1361-6407	AP1000633
1361-6410	AP1000647
1361-6501	AP1000946
1361-7403	AP1000703
1361-7502	AP1000949
1361-8110	AP1000424
1361-8300	AP1000819
1361-8303	AP1000805
1361-8304	AP1000807
1361-8307	AP1000773
1361-8308	AP1000777
1361-8310	AP1000782
1361-8311	AP1000779
1361-8401	AP1000718
1361-8403	AP1000706
1361-8503	AP1004205

PART NUMBER	OPTIBELT AP
1361-8505	AP1004203
1361-8507	AP1004206
1361-8508	AP1000967
1361-8509	AP1000966
1361-8511	AP1000975
1361-8512	AP1000976
1361-9601	AP1000894
1361-9605	AP1000921
1361-9608	AP1000932
1361-9614	AP1003565
1361-9615	AP1001034
1361-9618	AP1000974
1361-9703	AP1002127
1361-9706	AP1002169
1361-9707	AP1002148
1361-9709	AP1002170
1361-9715	AP1004216
1361-9718	AP1004215
1361-9733	AP1002364
1361-9737	AP1002185
1361-9804	AP1002126
1361-9805	AP1002122
1361-9901	AP1002217
1361-9906	AP1003316
1361-9908	AP1002224
1362-1001	AP1003048
1362-1002	AP1003050
1362-1003	AP1003678
1362-1004	AP1002134
1362-1005	AP1002326
1362-1006	AP1001285
1362-1007	AP1003049
1362-1008	AP1000219
1362-1009	AP1002156
1362-1010	AP1004771
1362-1011	AP1002169
1362-1012	AP1002116
1362-1013	AP1002392
1362-1014	AP1002394
1362-1015	AP1002169
1362-1016	AP1002164
1362-1017	AP1002721
1362-1018	AP1005151
1362-1205	AP1003761
1362-1207	AP1002836
1362-1208	AP1002810
1362-1209	AP1000234
1362-1210	AP1004220
1362-2106	AP1002838
1362-2202	AP1000240
1362-2405	AP1000549
1362-2407	AP1000551
1362-3105	AP1004413
1362-3205	AP1002842
1362-4105	AP1005147
1362-6101	AP1004421
1362-8304	AP1000807
1362-8408	AP1004002
1362-8505	AP1000964

PART NUMBER

PART NUMBER	OPTIBELT AP
1362-9702	AP1003053
1362-9704	AP1005152
1362-9705	AP1002130
1362-9707	AP1002148
1362-9708	AP1004987
1362-9713	AP1003054
1362-9716	AP1002379
1362-9719	AP1002397
1362-9720	AP1002165
1362-9721	AP1003055
1362-9722	AP1002378
1362-9723	AP1002387
1362-9724	AP1002368
1362-9725	AP1004217
1362-9727	AP1002380
1362-9730	AP1003028
1362-9732	AP1002192
1362-9733	AP1002365
1362-9737	AP1002185
1362-9803	AP1002112
1362-9806	AP1004207
1362-9906	AP1003316
VASSALLI	
1-99-51528	AP1005077
1-99-70542	AP1005078
1-99-70543	AP1005080
1-99-71551	AP1005081
1-99-71553	AP1005079
VIC	
B195	AP1003943
ZMAJ	
083-122-5600	AP1001376
083-232-1213	AP1001403
083-232-1540	AP1001409
083-232-1795	AP1001414
083-245-1630	AP1001454
083-245-1715	AP1001455
083-245-1755	AP1001456
083-245-1810	AP1001458
083-245-3165	AP1001487
083-250-3190	AP1001524
083-260-2130	AP1001536
083-334-1369	AP1001549
083-334-2046	AP1001571
083-335-3335	AP1001868
083-336-2380	AP1001595
083-336-2410	AP1003920
083-355-1959	AP1001806
083-355-3180	AP1001859
083-355-3520	AP1003644
083-355-3810	AP1003650
083-368-3750	AP1001659
083-717-1980	AP1001569
083-722-3100	AP1001762
69-0104	AP1001430
69-0107/1	AP1001469

PART NUMBER	OPTIBELT AP
69-011671	AP1000540
71-01556	AP1001364
71-3975	no AP
72-0211	AP1001361
AGCO	
6310132M1	AP1000214
ACW0885720	AP1001120
X696.612.900.000	AP1002445
X696612900000	AP1002445
X696624600000	AP1002532
6201102M1	AP1002539
6296174M1	AP1002554
V684121300	AP1002556
V684121325	AP1002558
072728T1	AP1002565
4275545M3	AP1002613
3787373M2	AP1002620
4276375M1	AP1002627
651200010220	AP1002648
700723790	AP1003368
685061585	AP1003972
V685061585	AP1003972
916201040200	AP1004340
6213293M1	AP1004492
71426450	AP1004501
650623030550	AP1004651
650633020010	AP1004678
6627918	AP1004792
650203040010	AP1004801
BISO	
9351023400	AP1000278
9351001300	AP1000628
9351013200	AP1003312
9351018300	AP1003326
9351028600	AP1003617
9351020400	AP1003618
9351012800	AP1003688
9351008400	AP1003987
9351010200	AP1003989
9351019600	AP1004012
9351019800	AP1004019
9351014800	AP1004029
CASE INTL. HAVESTER	
704449R1	AP1000090
709502R1	AP1000189
47948721	AP1000281
577900	AP1000571
84291570	AP1000783
47439480	AP1001831
47434574	AP1001838
1966513C1	AP1002408
1966513C2	AP1002408
84766C1	AP1002424
5140009	AP1002455
5140010	AP1002457
K912196	AP1002458

PART NUMBER	OPTIBELT AP
87643267	AP1002462
47137503	AP1002465
500369112	AP1002465
98473705	AP1002467
1966512C1	AP1002479
241 895 A2	AP1002490
241895A2	AP1002490
5154152	AP1002512
47408557	AP1002521
48116472	AP1002521
162000130074	AP1002521
A169970	AP1002521
K307429	AP1002525
47129821	AP1002528
84395801	AP1002537
K308448	AP1002551
3055715R1	AP1002556
K306655	AP1002559
3136258R1	AP1002560
3138663R1	AP1002575
401128R2	AP1002575
47783488	AP1002580
534310R1	AP1002580
3129140R1	AP1002586
3129140R1	AP1002586
3129139R1	AP1002588
3129139R1	AP1002588
84994984	AP1002589
82989326	AP1002645
84412878	AP1002645
243372A1	AP1002651
243373A1	AP1002652
87802822	AP1002664
47430047	AP1002666
87402830	AP1002666
48165979	AP1002669
87441268	AP1002671
84292913	AP1002679
504380539	AP1002687
3131095	AP1003051
87472997	AP1003122
84413724	AP1003125
J911558	AP1003133
82989350	AP1003135
4899178	AP1003140
84127292	AP1003140
48166008	AP1003189
47452304	AP1003245
1979606C1	AP1003342
87041731	AP1003355
131403C1	AP1003474
131403C1	AP1003474
462133R1	AP1003505
11170198	AP1003611
1111678	AP1003693
87402831	AP1003792
87441267	AP1003795
3972386	AP1003812
86974844	AP1003812

PART NUMBER



AG - BI
 CA - CL
 DE - DR
 FE - FO
 GL - GR
 IN - JO
 KP - KZ
 LA - ME
 NE - RO
 SA - ST
 VA - ZM
 PARTS
 SERVICE

PART NUMBER	OPTIBELT AP
J911567	AP1003812
47865396	AP1003841
822427	AP1003850
84371625	AP1003940
87366407	AP1003971
87437226	AP1003972
325289A1	AP1003973
5094418	AP1004254
5186233	AP1004255
84305213	AP1004260
757725	AP1004271
47572218	AP1004653
47131754	AP1004685
87705737	AP1004685
84384158	AP1004727
84586129	AP1005070
47901651	AP1005322
87710661	AP1005323
47424854	AP1005324
87583907	AP1005326
47517242	AP1005328
84790244	AP1005331
84395802	AP1005333
47364506	AP1005335
84266080	AP1005336
71447360	AP1005337
84281470	AP1005337
47754793	AP1005338
CHALLENGER	
500685D1	AP1001337
V32889500	AP1002328
3617180M91	AP1002430
072729T1	AP1002484
3777748M2	AP1002518
3809174M1	AP1002525
5016260M1	AP1002525
3389525M1	AP1002534
3809175M1	AP1002546
049880T1	AP1002562
3780138M91	AP1002567
3808730M1	AP1002567
3815255M1	AP1002567
3815255M2	AP1002567
3817582M1	AP1002567
3779379M91	AP1002571
3619084M91	AP1002579
3780608M91	AP1002579
4275545M3	AP1002613
4271806M1	AP1002624
4273270M1	AP1002628
4274241M1	AP1002628
3789028M1	AP1002630
4273187M1	AP1002656
4278354M91	AP1002958
3780606M91	AP1002965
4273188M1	AP1003788

PART NUMBER	OPTIBELT AP
CLAAS	
0854132000	AP1000112
746508.2	AP1000266
0022985.0	AP1000394
545452.0	AP1001685
0315972.0	AP1002565
0320008.0	AP1002582
26061790	AP1002829
0061872.0	AP1002867
5453070	AP1002869
7988200	AP1003158
6283900	AP1003355
0324073.0	AP1003727
0796728.0	AP1003727
25996060	AP1003799
0130931.0	AP1003800
5540991	AP1004073
554099.1	AP1004073
5541860	AP1004087
554186.0	AP1004087
5540860	AP1004098
554086.0	AP1004098
6603160	AP1004099
660316.0	AP1004099
0554093.1	AP1004100
554093.0	AP1004100
554093.1	AP1004100
5492380	AP1004253
6707680	AP1004353
5451890	AP1004513
0176432.3	AP1004524
13242220	AP1004569
346280	AP1004656
0360009.0	AP1004806
0365119.0	AP1004814
0130906.0	AP1004866
4804770	AP1004891
7449651	AP1004897
0554365.0	AP1004900
23146020	AP1004908
0545186.0	AP1004913
5453060	AP1004918
0545306.0	AP1004918
618721	AP1004936
0061872.1	AP1004936
6297880	AP1004938
0629788.0	AP1004938
0545451.0	AP1005031
6291100	AP1005099
6291102	AP1005099
0629110.0	AP1005099
6609611	AP1005103
0144356.0	AP1005104
1242580	AP1005106
0124258.0	AP1005106
1318020	AP1005107
1318021	AP1005107

PART NUMBER	OPTIBELT AP
0131802.0	AP1005107
0131802.1	AP1005107
0124291.0	AP1005108
1407650	AP1005109
0140765.0	AP1005109
0142078.0	AP1005111
5452160	AP1005186
0545216.0	AP1005186
6658330	AP1005188
6707510	AP1005189
6658271	AP1005190
6658650	AP1005192
6658320	AP1005193
23146000	AP1005196
5678241	AP1005198
5451861	AP1005199
1318030	AP1005200
902660	AP1005201
1319960	AP1005201
90266.0	AP1005201
0124215.0	AP1005202
902670	AP1005203
1319970	AP1005203
1242051	AP1005205
0124205.0	AP1005205
0124205.1	AP1005205
6658251	AP1005206
6659670	AP1005206
1309010	AP1005207
4106901	AP1005208
6447811	AP1005209
DEUTZ-FAHR	
01180709	AP1000012
01182065	AP1000012
1169886	AP1000015
01169886	AP1000015
01169886	AP1000015
01831110	AP1000039
1116059	AP1000092
01116059	AP1000092
01116059	AP1000092
1116064	AP1000104
01116064	AP1000104
01116078	AP1000194
01116087	AP1000211
01182740	AP1000981
01183153	AP1000981
01183377	AP1000981
04156783	AP1001041
04154836	AP1001042
01180449	AP1001043
04156387	AP1001043
04154401	AP1001044
4154525	AP1001045
04154525	AP1001045
01181254	AP1001046
1132421	AP1002110
01132421	AP1002110

PART NUMBER

PART NUMBER	OPTIBELT AP
1181675	AP1002441
01181675	AP1002441
1180434	AP1002443
01180434	AP1002443
1179471	AP1002444
1180640	AP1002444
1182064	AP1002444
01179471	AP1002444
01180640	AP1002444
01182064	AP1002444
1164848	AP1002445
1179472	AP1002445
0116 4848	AP1002445
01164848	AP1002445
01179472	AP1002445
1179648	AP1002447
1182050	AP1002447
01179648	AP1002447
01182050	AP1002447
1180901	AP1002448
01180901	AP1002448
2235377	AP1002450
603450200900	AP1002450
02235377	AP1002450
1179474	AP1002451
1182045	AP1002451
01179474	AP1002451
01182045	AP1002451
1175745	AP1002452
1182051	AP1002452
01175745	AP1002452
01182051	AP1002452
1174612	AP1002453
1181184	AP1002453
01174612	AP1002453
01181184	AP1002453
1175882	AP1002455
1175929	AP1002455
1179978	AP1002455
1182053	AP1002455
01175882	AP1002455
01175929	AP1002455
01179978	AP1002455
01182053	AP1002455
1175928	AP1002456
1179996	AP1002456
1180195	AP1002456
1182056	AP1002456
01175928	AP1002456
01179996	AP1002456
01180195	AP1002456
01182056	AP1002456
2235253	AP1002457
02235253	AP1002457
12500311	AP1002459
603450201100	AP1002459
1156921	AP1002460
01179461	AP1002460
01180027	AP1002461

PART NUMBER	OPTIBELT AP
2235257	AP1002462
01179566	AP1002462
01154347	AP1002464
2235181	AP1002465
2235181	AP1002465
01180846	AP1002465
02235181	AP1002465
01154348	AP1002467
603450501200	AP1002468
01154350	AP1002468
01182184	AP1002468
1168307	AP1002471
1168308	AP1002471
60345051225	AP1002471
603450501225	AP1002471
0116 8307	AP1002471
0116 8308	AP1002471
01168307	AP1002471
01168308	AP1002471
01176331	AP1002471
01179475	AP1002471
02235259	AP1002472
01161860	AP1002473
01176178	AP1002473
01180831	AP1002473
2235530	AP1002475
01179747	AP1002475
01179750	AP1002475
1179888	AP1002478
2235260	AP1002478
603450501300	AP1002478
01179476	AP1002478
01179852	AP1002478
1183024	AP1002482
01183023	AP1002482
1179749	AP1002483
01179718	AP1002483
12270924	AP1002483
01180830	AP1002484
01179480	AP1002485
01180194	AP1002487
1179722	AP1002488
01179720	AP1002488
02235261	AP1002490
1175960	AP1002492
603450201450	AP1002492
01182810	AP1002492
02235256	AP1002492
2235056	AP1002494
2235262	AP1002494
02235056	AP1002494
01175766	AP1002495
01179779	AP1002495
1175765	AP1002496
01175765	AP1002496
01179780	AP1002496
1179481	AP1002497
2239152	AP1002497
2239152	AP1002497

PART NUMBER	OPTIBELT AP
01179478	AP1002497
01179781	AP1002498
01181897	AP1002498
01179782	AP1002499
01182207	AP1002500
01179639	AP1002507
01154351	AP1002508
4325382	AP1002514
4325382	AP1002514
00673224	AP1002514
01183250	AP1002514
04325382	AP1002514
4325382	AP1002514
12270923	AP1002515
1160050	AP1002520
0116 0050	AP1002520
01160050	AP1002520
01180464	AP1002520
01182059	AP1002520
1168311	AP1002521
0116 8311	AP1002521
01168311	AP1002521
01179650	AP1002521
01179830	AP1002521
01182067	AP1002521
01183019	AP1002521
01175933	AP1002526
01180467	AP1002526
01182060	AP1002526
01180849	AP1002528
1168313	AP1002529
603450211050	AP1002529
0116 8313	AP1002529
01168313	AP1002529
01182061	AP1002529
603450211075	AP1002532
603451111075	AP1002532
01154353	AP1002532
01182046	AP1002532
01182505	AP1002532
02418962	AP1002532
1178736	AP1002534
1179891	AP1002534
01168316	AP1002534
01179890	AP1002534
01180182	AP1002534
01182052	AP1002534
01154354	AP1002537
1168318	AP1002539
01154355	AP1002539
0116 8318	AP1002539
01168318	AP1002539
01181076	AP1002539
01182055	AP1002539
F117.200.010.010	AP1002539
01182542	AP1002541
1172391	AP1002547
0117 2391	AP1002547
01182054	AP1002547

PART NUMBER



AG - BI
CA - CL
DE - DR
FE - FO
GL - GR
IN - JO
KP - KZ
LA - ME
NE - RO
SA - ST
VA - ZM
PARTS
SERVICE

PART NUMBER	OPTIBELT AP
01175555	AP1002549
01178738	AP1002549
01180552	AP1002549
01181587	AP1002549
01183403	AP1002549
1168322	AP1002551
0116 8322	AP1002551
01168322	AP1002551
01175719	AP1002551
01175968	AP1002551
01177873	AP1002551
01180435	AP1002551
1154304	AP1002554
1175969	AP1002554
603450211275	AP1002554
01175970	AP1002554
01180350	AP1002554
1180904	AP1002556
1182068	AP1002556
1168328	AP1002558
01154358	AP1002558
0116 8328	AP1002558
01168328	AP1002558
01180436	AP1002558
01182057	AP1002558
1168330	AP1002560
603451111350	AP1002560
0116 8330	AP1002560
01168330	AP1002560
01175974	AP1002560
01180612	AP1002560
01182062	AP1002560
603450211375	AP1002562
1154306	AP1002567
4359336	AP1002567
603450211400	AP1002567
603451111400	AP1002567
603451311400	AP1002567
01179673	AP1002567
04123559	AP1002567
04359336	AP1002567
4147300	AP1002571
603450211425	AP1002571
1154307	AP1002575
1180437	AP1002575
4342249	AP1002575
4342249	AP1002575
1154359	AP1002579
1180438	AP1002579
603451311500	AP1002580
1151369	AP1002584
1154310	AP1002584
12272665	AP1002584
12500218	AP1002584
603451111550	AP1002586
12500121	AP1002589
1154312	AP1002595
603451111700	AP1002595
1151370	AP1002596

PART NUMBER	OPTIBELT AP
01182426	AP1002642
01182428	AP1002642
01183129	AP1002642
01183130	AP1002642
01183131	AP1002642
01183335	AP1002645
01182470	AP1002646
01182558	AP1002646
01183136	AP1002646
01183371	AP1002648
01183367	AP1002661
1162716	AP1002920
1176304	AP1002920
1179477	AP1002920
0116 2716	AP1002920
01162716	AP1002920
1175924	AP1002922
1179675	AP1002922
603450201400	AP1002922
1179674	AP1002933
2235816	AP1002933
4232845	AP1002933
02235714	AP1002933
1174834	AP1002958
1174283	AP1002961
12500266	AP1002961
1175939	AP1002965
12500285	AP1002965
1154308	AP1002969
01180663	AP1002985
01182293	AP1003121
01182373	AP1003121
01182732	AP1003121
01182733	AP1003121
01183133	AP1003121
01183134	AP1003121
01183135	AP1003121
01183704	AP1003127
01182432	AP1003133
01182423	AP1003135
01182425	AP1003135
01183137	AP1003135
01183138	AP1003135
01183139	AP1003135
01182294	AP1003139
01148079	AP1003163
01183398	AP1003163
01148492	AP1003171
01183361	AP1003171
01148512	AP1003172
01183364	AP1003172
01182651	AP1003177
01183363	AP1003177
01183073	AP1003192
01183173	AP1003193
01183366	AP1003193
2.4119.209.0	AP1003415
01101674	AP1003477
01181126	AP1003713

PART NUMBER	OPTIBELT AP
01154305	AP1003727
01182185	AP1003727
12500125	AP1003727
1168333	AP1003730
0116 8333	AP1003730
01168333	AP1003730
1178739	AP1003773
01182718	AP1003940
01183362	AP1003940
01183480	AP1003969
01116061	AP1004046
01182607	AP1004182
01183391	AP1004182
01183420	AP1004312
01183380	AP1004313
01183558	AP1004313
01182347	AP1004315
01182369	AP1004315
01182449	AP1004315
01182730	AP1004315
01182731	AP1004315
01183154	AP1004315
01183155	AP1004315
01182471	AP1004317
01182559	AP1004317
01183164	AP1004317
01183165	AP1004318
01153065	AP1004385
01182312	AP1004473
01182360	AP1004473
01182367	AP1004473
01182728	AP1004473
01182729	AP1004473
01182830	AP1004473
01182831	AP1004473
01182832	AP1004473
01183144	AP1004473
01183145	AP1004473
01183147	AP1004473
01183148	AP1004473
01183149	AP1004473
01182310	AP1004688
01182365	AP1004688
01183150	AP1004688
01183151	AP1004688
01183559	AP1004688
01179456	AP1004724
S2.4119.240.0	AP1004724
1111615011700	AP1004845
1111-6150-117-00	AP1004845
1111-6150-117-00	AP1004845
01182066	AP1004876
FENDT	
51.96820-0209	AP1001131
X696.613.313.000	AP1002448
X696613313000	AP1002448
X696.614.602.000	AP1002456
X696614602000	AP1002456

PART NUMBER

PART NUMBER	OPTIBELT AP
X696.613.902.000	AP1002469
X696613902000	AP1002469
X696615603000	AP1002475
F100002235175	AP1002478
X696612401000	AP1002482
X696616702010	AP1002492
F404200040020	AP1003172
F119.202.010.040	AP1003713
F119202010040	AP1003713
F934201040010	AP1004318
X696613200000	AP1005040
X696618300000	AP1005041
X696628000000	AP1005042
X697173500000	AP1005043
GOMSELMASH	
2-HBx3110 K	AP1001630
3-HBx2662	AP1002716
A 1220	AP1003370
3-HBx4062	AP1003652
B 2990	AP1003859
2-HBx4812 K	AP1003888
3-HBx2162 K	AP1003890
3-HBx2662 K	AP1003892
3-HBx4985 K	AP1003897
4-HBx4562 K	AP1003905
5-HBx3612 K	AP1003907
5-HBx3812 K	AP1003909
7-HBx9100	AP1003912
8PK1829	AP1003941
3-HBx2886K	AP1004080
2-HBx2512 K	AP1004098
4-HA2886 K	AP1004191
JOHN DEERE	
L114489	AP1000987
R133703	AP1000987
AYC18136	AP1001108
H228250	AP1001145
R135822	AP1001195
R210808	AP1001196
L203299	AP1001336
R96255	AP1001337
P40058H	AP1001493
Z44937	AP1001544
HXE124870	AP1001779
HXE69321	AP1001779
HXE95935	AP1001785
R87153	AP1002302
L41330	AP1002595
L41331	AP1002598
L59206	AP1002599
R123453	AP1002651
R95917	AP1002651
R123459	AP1002652
R123469	AP1002652
R228566	AP1002668
L111804	AP1002677
L203302	AP1002677

PART NUMBER	OPTIBELT AP
L101411	AP1002679
L110605	AP1002679
L203300	AP1002690
R115935	AP1002690
L212326	AP1002695
AXE13650	AP1002889
R101069	AP1003062
R111090	AP1003065
R131083	AP1003067
R134632	AP1003069
R131213	AP1003084
L153281	AP1003089
L155538	AP1003090
R505810	AP1003093
R515222	AP1003098
R157687	AP1003118
L111600	AP1003131
R106122	AP1003156
R118317	AP1003172
T178537	AP1003177
R106120	AP1003184
L153280	AP1003185
L203306	AP1003185
L114488	AP1003186
L203305	AP1003186
R135823	AP1003186
R157688	AP1003186
R174754	AP1003195
L169273	AP1003215
L213023	AP1003215
R115936	AP1003215
R95924	AP1003217
L153282	AP1003231
L111601	AP1003238
R131434	AP1003261
R128210	AP1003263
R208755	AP1003792
L111170	AP1003797
R135438	AP1003955
H166077	AP1004060
R216071	AP1004075
HXE15671	AP1004131
L169272	AP1004259
L213022	AP1004259
H220052	AP1004595
H218197	AP1004597
H229882	AP1004597
H228260	AP1004686
HXE57305	AP1005290
AZ53559	AP1005340
KRONE	
270148230	AP1001620
9215150	AP1001940
9215240	AP1002024
270118210	AP1003602
270084782	AP1004662

PART NUMBER	OPTIBELT AP
KUHN	
9147110	AP1000224
6060025	AP1000539
6060115	AP1000541
6060123	AP1000542
6060023	AP1000544
83101250	AP1002040
83101257	AP1002044
83101056	AP1002271
83101068	AP1002273
83101065	AP1002276
83102268	AP1003495
83101758	AP1004032
83101305	AP1004885
KVERNELAND	
ND96134	AP1002137
ND96135	AP1002150
ND9030	AP1002192
2953370	AP1002401
99202045	AP1004400
KZK YENISEY	
KB 2/5V 2120 LA	AP1003289
LAVERDA	
340433279	AP1000282
ACW0366960	AP1001591
323019750	AP1002643
ACY1582740	AP1004622
1005047?	AP1005047
340433264	AP1005331
MASSEY FERGUSON	
529900M91	AP1000029
063971T2	AP1000603
826960M1	AP1001015
517344M2	AP1002428
517344M2	AP1002428
517344M2	AP1002428
3617180M91	AP1002430
1612891M91	AP1002431
3810420M1	AP1002475
3810420M1	AP1002475
1686616M91	AP1002478
518506M92	AP1002482
518506M92	AP1002482
3383044M91	AP1002485
3619356M91	AP1002487
3619356M91	AP1002487
1612892M91	AP1002488
1612892M91	AP1002488
517951M91	AP1002492
517951M91	AP1002492
517951M91	AP1002492
1686615M91	AP1002494
1687610M91	AP1002494
1687610M91	AP1002494

PART NUMBER



PART NUMBER	OPTIBELT AP
3612930M1	AP1002515
3612930M1	AP1002515
3777748M2	AP1002518
966427M1	AP1002521
3809174M1	AP1002525
3809174M1	AP1002525
3809174M1	AP1002525
3809174M1	AP1002525
5016260M1	AP1002525
5016260M1	AP1002525
3712531M1	AP1002528
3712531M1	AP1002528
3712531M1	AP1002528
1690692M1	AP1002529
1690692M1	AP1002529
828729M1	AP1002531
509572M1	AP1002532
509572M1	AP1002532
3389525M1	AP1002534
3389525M1	AP1002534
1614371M1	AP1002539
3614715M2	AP1002539
3614715M2	AP1002539
1693746M1	AP1002543
3809175M1	AP1002546
3809175M1	AP1002546
521370M1	AP1002546
521370M1	AP1002546
3612115M1	AP1002547
3714894M1	AP1002547
3714894M1	AP1002547
890982M1	AP1002547
890982M1	AP1002547
1682684M2	AP1002548
1682684M2	AP1002548
3582952M1	AP1002549
3582952M1	AP1002549
1688988M1	AP1002554
1688988M1	AP1002554
4272496M1	AP1002554
517456M1	AP1002554
524413M92	AP1002554
524413M92	AP1002554
3637306M91	AP1002556
3637306M91	AP1002556
3780603M91	AP1002556
3780603M91	AP1002556
3780604M91	AP1002556
3780604M91	AP1002556
3780604M91	AP1002556
3815256M1	AP1002556
3815257M1	AP1002556
3815257M1	AP1002556
3815257M1	AP1002556
513833M1	AP1002558
531371M1	AP1002558
531371M1	AP1002558
843198M1	AP1002559
040560T1	AP1002561
3581611M1	AP1002562
1447778M91	AP1002565

PART NUMBER	OPTIBELT AP
3808704M1	AP1002565
3808704M1	AP1002565
3808704M1	AP1002565
3780138M91	AP1002567
3808730M1	AP1002567
3815255M2	AP1002567
3815255M2	AP1002567
3817582M1	AP1002567
3817582M1	AP1002567
6201602M91	AP1002567
2801859M1	AP1002571
3595070M91	AP1002571
3779379M91	AP1002571
3779379M91	AP1002571
595851M1	AP1002571
1688216M91	AP1002575
3780608M91	AP1002579
3780608M91	AP1002579
513133M1	AP1002579
513133M1	AP1002579
1693745M1	AP1002580
3040949M1	AP1002580
3386190M91	AP1002580
3386190M91	AP1002580
3780061M91	AP1002582
3780061M91	AP1002582
1809095M2	AP1002584
1809095M2	AP1002584
3614706M92	AP1002584
3614706M92	AP1002584
3582953M91	AP1002588
3582953M91	AP1002588
6214645M1	AP1002588
036720T1	AP1002589
3412285M2	AP1002589
3617184M91	AP1002589
3617184M91	AP1002589
4275545M3	AP1002613
4275784M1	AP1002622
3787792M1	AP1002623
4271806M1	AP1002624
4271806M1	AP1002624
4277220M1	AP1002625
4277220M1	AP1002625
4276808M1	AP1002626
4276375M1	AP1002627
4273270M1	AP1002628
3789028M1	AP1002630
3789028M1	AP1002630
4273187M1	AP1002656
4273187M1	AP1002656
4273187M1	AP1002656
3808705M1	AP1002921
3808705M1	AP1002921
3616512M91	AP1002958
3777681M91	AP1002961
3780605M91	AP1002961
3780605M91	AP1002961
3780605M91	AP1002961

PART NUMBER	OPTIBELT AP
3780606M91	AP1002965
3780606M91	AP1002965
6203323M91	AP1002965
3780616M91	AP1002968
3780616M91	AP1002968
4274693M91	AP1002969
4275520M1	AP1003186
5015577M1	AP1003691
5015577M1	AP1003691
5015577M1	AP1003691
3381364M91	AP1003740
4273188M1	AP1003788
4273188M1	AP1003788
6203462M1	AP1003923
2833904M2	AP1004744
3777243M1	AP1004829
3777243M1	AP1004829
V836859262	AP1004829
NEW HOLLAND	
336386	AP1000027
422441	AP1000154
447041	AP1000625
9579546	AP1000630
468291	AP1000718
468584	AP1000729
758632	AP1001489
87590392	AP1001538
1330499C1	AP1001880
5140009	AP1002455
5140009	AP1002455
4809680	AP1002460
4809680	AP1002460
5186232	AP1002460
5186232	AP1002460
5088081	AP1002462
5088081	AP1002462
87643267	AP1002462
5140011	AP1002465
47137503	AP1002465
500369112	AP1002465
98473705	AP1002467
5140012	AP1002490
5140014	AP1002490
5154152	AP1002512
5154152	AP1002512
5154152	AP1002512
84422774	AP1002554
98490935	AP1002554
87605390	AP1002582
824518	AP1002588
80824518	AP1002588
758728	AP1002593
824182	AP1002596
824517	AP1002602
87374472	AP1002608
504049425	AP1002614
87709228	AP1002621
82850750	AP1002636

PROBLEMS – CAUSES – REMEDIES

Competency in drive technology

OPTIBELT SERVICE MANAGEMENT

The best machine is of little value if it is not operated efficiently. The main objective has to be the optimisation of existing power drives. The Optibelt Service Management offers a broad range of technologically demanding products. Service devices, thematic expert seminars and, last but not least, customised software solutions for drive design and optimisation complete the high-tech segment of Optibelt.

THE OPERATIONAL LIFE IS OF ESSENTIAL IMPORTANCE

Half of all drives achieve only between 50 to 70 percent of the estimated operational life; about 20 percent achieve a longer operational life whereas about a third of all drives only achieve 10 to 20 percent of the estimated time. The causes of drive problems are diverse. The biggest problem by far is improper maintenance of the drive; this applies to approx. 40 percent of all cases. An incorrect installation of the belts or the pulleys causes problems for 20 percent of the drives; the same percentage applies to negative external influences as the cause for drive problems. Furthermore, about 12 percent of the problems are due to an incorrect drive design and 4 percent each due to defective drive elements and improper storage or handling of the drive belts.

OPTIMISE DRIVES IN THEORY AND PRACTICE

Cost reductions can easily and quickly be achieved via simple but highly efficient tools. Simply use the technical equipment by Optibelt for trouble-free operation of the individual installation.

PROBLEMS – CAUSES – REMEDIES

V-BELTS

PROBLEM	POSSIBLE CAUSES	REMEDIES
	<p>BELT BREAKS AFTER SHORT RUNNING PERIOD (BELT TORN)</p> <ul style="list-style-type: none"> Forceful mounting, therefore, damaging the tension cord Drive blocked Ingress of foreign matter during operation Drive underdimensioned, insufficient number of belts 	<ul style="list-style-type: none"> Apply unforced mounting according to instructions Remove the cause Fit a guard Check drive conditions and remachine
	<p>EXCESSIVE WEAR ON BELT EDGES</p> <ul style="list-style-type: none"> Tension too low Starting torque too high Worn pulley grooves Wrong belt/groove section Wrong groove angle Pulleys do not align Small pulley diameter below recommended minimum 	<ul style="list-style-type: none"> Check tension and retension Check drive conditions and remachine Replace pulleys Adjust belt and groove sections Remachine or replace pulleys Align pulleys Increase pulley diameter (new drive design), use Optibelt special execution or optibelt SUPER XE-POWER PRO M=S (SUPER TX)
	<p>CUTS AND SPLITS AT THE BASE OF THE BELT (BRITTLENESS)</p> <ul style="list-style-type: none"> Outside idler pulley in use the arrangement and diameter of which does not comply with our recommendations Abnormal belt slip 	<ul style="list-style-type: none"> Note Optibelt recommendations, e. g. increase diameter. Increase size of existing idler. Use optibelt RED POWER 3 or Optibelt special execution. Retension drive according to installation instructions. Check drive conditions and redesign, if necessary. Redesign using minimum pulley diameters.
	<ul style="list-style-type: none"> Pulley diameter too small Ambient temperature too high Ambient temperature too low Chemical influences 	<ul style="list-style-type: none"> Use Optibelt special execution or optibelt SUPER X-POWER M=S (SUPER TX) Ensure good ventilation, protect belts from direct heat. Use Optibelt XHR special execution (extra heat resistant) or use optibelt SUPER X-POWER M=S (SUPER TX) or belt with aramid cord construction. Warm area surrounding drive and belt before use. Use Optibelt special execution. Protect drive from contamination. Use Optibelt special execution.

PROBLEMS – CAUSES – REMEDIES



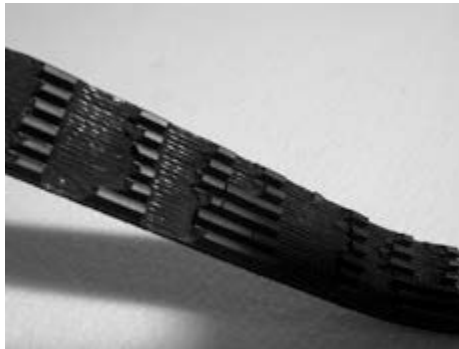
V-BELTS

PROBLEM	POSSIBLE CAUSES	REMEDIES
	<p>BELT SWELLING OR SOFTENING</p> <p>Contamination by oil, grease, chemicals</p>	<p>Protect drive from contamination. Use raw edge optibelt SUPER X-POWER M=S (SUPER TX) or special execution "05". Clean pulley grooves with petrol or alcohol before using new belts!</p>
	<p>BELTS TURN OVER</p> <p>Wrong belt/groove section</p> <p>Pulleys do not align</p> <p>Pulley grooves severely worn</p> <p>Tension too low</p> <p>Excessive vibrations</p> <p>Foreign matter in pulley grooves</p>	<p>Realign belt and groove section correctly</p> <p>Realign pulleys</p> <p>Replace pulleys</p> <p>Retension drive</p> <p>Use inside idler pulley on drive slack side or optibelt KB kraftbands</p> <p>Remove foreign matter and protect drive</p>

If further problems arise, contact our engineers from the applications engineering dept. Detailed technical data are necessary for specific assistance.

PROBLEMS – CAUSES – REMEDIES

RIBBED BELTS

PROBLEM	POSSIBLE CAUSES	REMEDIES
	<p>UNUSUAL WEAR AND TEAR OF RIBS</p> <ul style="list-style-type: none"> Tension too low Ingress of foreign matter during operation Pulleys do not align Pulleys defective Wrong rib/pulley section 	<ul style="list-style-type: none"> Correct tension Fit a guard Align pulleys Remachine or replace pulleys Align rib and pulley section
	<p>BREAK OF RIBBED BELTS AFTER SHORT RUNNING TIME (BELTS TORN)</p> <ul style="list-style-type: none"> Ribbed belt slips or catches on protruding parts Drive blocked Drive overloaded Effects of oil, grease, chemicals 	<ul style="list-style-type: none"> Remove protruding parts; realign drive Remove cause Check drive conditions and redesign Protect drive from environmental influences
	<p>CUTS AND SPLITS IN THE RIBS (BRITTLINESS)</p> <ul style="list-style-type: none"> Effects of an outside idler pulley the arrangement and diameter of which does not comply with our recommendations Pulley diameter too small Ambient temperature too high Ambient temperature too low Abnormal belt slip Chemical influences 	<ul style="list-style-type: none"> Comply with Optibelt recommendations, e.g. increase diameter; use an inside idler pulley on the drive slack side Ensure minimum pulley diameter Remove source of heat, protect belts from direct heat. Improve air ventilation. Warm up ribbed belt before use Retension drive according to installation instructions. Check drive conditions and redesign if necessary. Protect drive from contamination

If further problems arise, contact our engineers from the applications engineering dept. Detailed technical data are necessary for specific assistance.

PROBLEMS – CAUSES – REMEDIES

KRAFTBANDS

PROBLEM	POSSIBLE CAUSES	REMEDIES
	<p>FRAYED, WORN OR DAMAGED TOP OF TIE-BAND</p> <p>Interference with guard Backside idler malfunction or damaged</p>	<p>Check guard Repair or replace backside idler</p>
	<p>MULTIPLE BELT COMES OFF DRIVE</p> <p>Debris in pulleys</p>	<p>Clean grooves. Use single belts to prevent debris from being trapped in grooves.</p>
	<p>ONE OR MORE RIBS RUN OUTSIDE OF PULLEY</p> <p>Misalignment Undertensioned</p>	<p>Realign drive Retension</p>
	<p>TIE-BAND SEPARATION</p> <p>Worn pulleys Improper groove spacing</p>	<p>Replace pulleys Use standard groove pulleys</p>



NOTES

AG - BI

CA - CL

DE - DR

FE - FO

GL - GR

IN - JO

KP - KZ

LA - ME

NE - RO

SA - ST

VA - ZM

PARTS

SERVICE

GB

D

ABBREVIATIONS	ABKÜRZUNGSERKLÄRUNG
1. AND 2. SEPARATOR CYLINDER	1. UND 2. ZYLINDER RESTKORNABSCHIEDUNG
115=CASE 6 CYL 411, WATER PUMP (Prior to)	115=CASE 6 CYL 411, WASSERPUMPE (FRÜHERE MODELLE - BIS)
1174 - FOR POSITORQUE GROUND SPEED DRIVE	1174 - FÜR POSITORQUE ANTRIEB HÖCHSTGESCHWINDIGKEIT
1174 ONLY AC WITH INTEGRATED CONDENSER COOLING	NUR 1174 - AC MIT INTEGRIERTEM KÜHLUNGSKONDENSATOR
130=CASE 4 CYL 273, WATER PUMP (Prior to)	130=CASE 4 CYL 273, WASSERPUMPE (FRÜHERE MODELLE - BIS)
1ST AND 2ND SEPARATOR DRUM	1. UND 2. TROMMEL RESTKORNABSCHIEDUNG
1ST EACH SPREADER BLOWER	1ST JE SPREUVERTEILER LÜFTER
1ST STAGE BLOWER	1. STUFE GEBLÄSE
1ST STAGE CHOPPER	1. STUFE HÄCKSLER
1ST STAGE CLEANING	1. STUFE REINIGUNG
1ST STAGE CUTTERBAR	1. STUFE SCHNEIDLEISTE
1ST STAGE HYBRID	1. STUFE HYBRID
1ST STAGE RADIATOR SCREEN	1. STUFE LÜFTER GITTER
268 C.I. / 258 C.I., FAN W/AIR	268 C.I. / 258 C.I., LÜFTER W/LUFT
2HC DRIVE BESIDE STRAW ELEVATOR	2HC ANTRIEB - NEBEN STROHFÖRDERER
2ND STAGE CHOPPER	2. STUFE HÄCKSLER
2ND STAGE CUTTERBAR WITHOUT VARIABLE SPEED	2. STUFE SCHNEIDWERK OHNE VARIABLEN ANTRIEB
2X BY MAIZE PICKET	2X BY MAIS PICKER (- BIS NR. 15606082)
3 CYL, 152 - 4 CYL, 134/145, FAN (GAS) (DELUXE & VINEYARD)	3 CYL, 152 - 4 CYL, 134/145, LÜFTER (GAS) (DELUXE & VINEYARD)
3 CYL, 152 - 4 CYL, 134/145, FAN (GAS) (ORCHARD ONLY)	3 CYL, 152 - 4 CYL, 134/145, LÜFTER (GAS) (NUR ORCHARD)
3RD STAGE CHOPPER	3. STUFE HÄCKSLER
4 CYL, 276, DRIVE W/AIR CONDITIONER	4 CYL, 276, ANTRIEB W/KLIMATISIERUNG
6 CYL, 456, FAN	6 CYL, 456, LÜFTER
8. SEPARATOR DRUM	8. TROMMEL RESTKORNABSCHIEDUNG
ACCELERATOR	BESCHLEUNIGER
AGITATOR DRIVE (FRONT)	MISCHERANTRIEB (VORN)
AIR ASPIRATOR	LUFT ABSSCHNECKE
AIR COMPRESSOR - BLOW-OFF SYSTEM	KOMPRESSOR - BLOW-OFF SYSTEM
AIR CONDITION COMPRESSOR	KLIMATISIERUNG KOMPRESSOR
AIR CONDITIONER UNIT : MOUNTING GROUP - WITHOUT HEATING	KLIMATISIERUNG - OHNE HEIZUNG
AIR EXHAUST	LUFTAUSLASS
AIR FILTER	LUFTFILTER
AIR INTAKE	LUFTEINLASS
AT 4G - CHAIN DRIVE	BEI 4G - ANTRIEB KETTE
AT 6G - TRANSMISSION	BEI 6G - TRANSMISSION
AT CHAFF SPREADER	SPREUVERTEILER
AT CHAFF, STRAW- AND RADIAL SPREADER	BEI SPREU-, STROH- UND RADIALVERTEILER
AT CORN	BEI KORN
AT GRAIN	BEI GETREIDE
AT HIGH - LOW SPEED RANGE TRANSMISSION	BEI HOHER / NIEDRIGER ÜBERTRAGUNGSGESCHWINDIGKEIT
AT HYDRAULIC GROUND DRIVE	BEI HYDRAULISCHER HAUPTANTRIEB
AT MERCEDES OM 366 LA WITH HYDRAULIC GROUND DRIVE	BEI MERCEDES OM 366 LA MIT HYDRAULISCHEM HAUPTANTRIEB
AT MERCEDES OM 366 LA WITH MECHANICAL GROUND DRIVE	BEI MERCEDES OM 366 LA MIT MECHANISCHEM HAUPTANTRIEB
AT SPREADER FAN	BEI RADIALVERTEILER
AUGER - LOWER RETURN AUGER (GRAIN)	FÖRERSCHNECKE -RÜCKLAUFSCHNECKE (GETREIDE)
AUGER AND KNIFE DRIVE (102)	FÖRERSCHNECKE UND MESSERANTRIEB (102)
AUGER BOTTOM GRAIN TANK	FÖRERSCHNECKE GETREIDETANK BODEN
AUGER DRIVE TAILINGS AND GRAIN	ANTRIEB FÖRERSCHNECKE ABRAUM UND GETREIDE
AUXILIARY CYLINDER (SLINGER)	HILFS-ZYLINDER (SLINGER)
AUXILIARY PUMP DRIVE	ANTRIEB HILFSPUMPE
AWNER SHAFT	ENTGRANNERWELLE
BALER	BALLENPRESSE
BAR CONTROL	STEUERLEISTE
BEATER	WENDETROMMEL
CAT 8 CYL, 573/636/636/636, AUXILIARY HYDRAULICS	CAT 8 CYL, 573/636/636/636, HILFSHYDRAULIK
CENTER SHAFT	MITTLERE WELLE
CENTRIFUGAL SEPARATOR	VORRICHTUNG ABSCHIEDEZENTRIFUGE
CHAFF SPREADER	SPREUVERTEILER
CLEAN GRAIN ELEVATOR	FÖRDERER, FÜR GEREINIGTES GETREIDE
CLUTCH GRAIN TANK	KUPPLUNG GETREIDETANK

GB

D

ABBREVIATIONS	ABKÜRZUNGSERKLÄRUNG
CONDENSER FAN	KÜHLUNGSLÜFTER
CONDENSER ROTARY BLADE	KÜHLER MESSERKREISEL
CONVERTER DRIVE	TRANSFORMATOR ANTRIEB
CONVEYOR SHAFT 1306 MM	FÖRDERWELLE 1306 MM
CORN CRACKER DRIVE	CORN CRACKERANTRIEB
CORN PICKER FOLDING	KORNPFLÜCKER FOLDING
COUNTER DRIVE	ANTRIEB VORLEGEWELLE
CRACKER DRIVE / TENSIONING DEVICE BIG X 1000	ANTRIEB CRACKER / SPANNELEMENT BIG X 1000
CRANK PULLEY	KURBELWELLENSCHEIBE
CRANKSHAFT	KURBELWELLE
CRUSHER DRIVE	ANTRIEB BRECHER
CUTTING DRUM	SCHNEIDETROMMEL
CUTTING MECHANICAL BY 3.0 M	SCHNEIDEMECHANIK VON 3.0 M
CUTTING TABLE	SCHNEIDTISCH
CUTTING UNIT DRIVE	ANTRIEB SCHNEIDE EINHEIT
CUTTING UNIT KNIFE	SCHNEIDE EINHEIT MESSER
CYLINDER DRIVE	ZYLINDER ANTRIEB
DEFLECTOR DRUM	DEFLECTOR TROMMEL
DISCHARGE AUGER	FÖRDER SCHNECKE
DISPOSAL SHAFT DRIVE	ANTRIEB ÜBERGABE
DRAPER TABLE	SCHNEIDWERKSTISCH
DRIVE - VARIATOR	ANTRIEB - VARIATOR
DRIVING GEAR	ANTREIBENDES GETRIEBE
DUST - SCREEN BELT	STAUB - SIEB RIEMEN
DUST EXTRACTOR	STAUBABZUG
DUST REMOVING FAN	STAUB - SIEB LÜFTER
ECCENTRIC DRIVE	EXZENTERWELLE
ELEVATOR SHAKER GRAIN	FÖRDERER, - GETREIDESCHÜTTLER
EQUIPMENT (MAIZE)	AUSRÜSTUNG (MAIS)
EXTENSION COUNTERSHAFT	VERLÄNGERUNG VORLEGEWELLE
FAN DRIVE FOR OM 457 LA	ANTRIEB LÜFTER FÜR OM 457 LA
FAN INTERMEDIATE DRIVE	ANTRIEB ZWISCHENLÜFTER
FAN JACKSHAFT DRIVE	ANTRIEB LÜFTER VORLEGE
FAN MILL VARIABLE SPEED	MÜHLENANTRIEB STUFENLOS
FANNING MILL	LÜFTER FÜR MÜHLE
FEED ACCELERATOR, STANDARD SPEED	EINZUG BESCHLEUNIGER, STANDARD GESCHWINDIGKEIT
FEED RAKE DRIVE	RAFFERANTRIEB
FEEDER - PLATFORM	EINZUGSKANAL - PLATTFORM
FEEDER ACCELERATOR - STANDARD SPEED	EINZUGSKANAL BESCHLEUNIGER - STANDART GESCHWINDIGKEIT
FEEDER AUGER	EINZUGSKANAL SCHNECKE
FEEDER CHANNEL	FÖRDERTUNNEL
FEEDER CONVEYOR DRIVE	ZUFÜHRUNGSSCHNECKE ANTRIEB
FIXED SPEED FEEDER HOUSE	FIXIERTE GESCHWINDIGKEIT EINZUGSKANAL
FOR EXTENDED RANGE	FÜR WEITERTE REICHWEITE
GEAR BOX	GETRIEBE
GOVERNOR DRIVE	DREHZAHLREGELER
GRAIN CONDITIONER CPL TAFEL 31 - 37 BIG X 500	GETREIDEREINIGER CPL TAFEL 31 - 37 BIG X 500
GRAIN ELEVATOR , DRIVE	GETREIDE FÖRDERER, ANTRIEB
GRASS SEED EQUIPMENT - ACCESSORIES FOR FIXED SHOE ONLY	GRASS/SAAT ZUSATZAUSSTATTUNG - AUSRÜSTUNGSTEIL NUR FÜR FIXIERTEN VORSATZ
HEADER AND REEL PUMP (FIXED CAPACITY)	VORSATZ- UND HASPELPUMPE (FIXIERTE KAPAZITÄT)
HEADER COUNTERSHAFT TO PIVOT SHAFT	VORSATZVORLEGEWELLE - BIS PIVOT WELLE
HEAVY DUTY VERSION	HOCHLEISTUNGS VERSION
HOPPER	HOPPER
HYDRAULIC PUMP	HYDRAULIKPUMPE
HYDRAULIC REEL DRIVE	HYDRAULISCHER HASPELANTRIEB
INTENSIVE SEPARATION SYSTEM DRIVE	INTENSIVSCHÜTTLER ANTRIEB
INTERMEDIATE DRIVE BLOWER	ZWISCHEN-ANTRIEB GEBLÄSE
JACKSHAFT DRIVE	VORLEGEWELLE ANTRIEB
KNIFE DRIVE	MESSERANTRIEB
MAIN DRIVE	HAUPT-ANTRIEB

GB

D

ABBREVIATIONS

ABKÜRZUNGSERKLÄRUNG

MAIN FAN SELECTOR - STRIPPER BEATER	HAUPT-LÜFTER SELECTOR - ABSTREIFER WENDETRÖMDEL
MOWER DECK	MÄH-DECK
OUTLET GRAIN	AUSLASS GETREIDE
OVERSHOT BEATER DRIVE	ÜBERSCHUß WENDETRÖMDEL ANTRIEB
PICK UP DRIVE	PICK UP ANTRIEB
PICK UP REEL	PICK UP HASPEL
PICKING - ATTACHMENTS DRIVE (MAIZE)	PICKING - ATTACHMENTS ANTRIEB (MAIS)
POWER STEERING	HYDROPUMPE
PROPULSION PUMP DRIVE	ANTRIEBSREGELUNG
PURIFY DRIVE	ANTRIEB AUFBEREITER
REEL DRIVE	HASPEL ANTRIEB
ROTARY DUST SCREEN DRIVE	ROTATIONS STAUBGITTER ANTRIEB
ROTARY SIEVE DRIVE	ROTATIONS SIEB ANTRIEB
SELECTOR FOR MAIN FAN	SELECTOR FÜR HAUPT-LÜFTER
SELF LEVELLING	SELBSTAUSGLEICHEND
SEPARATOR	ABSCHIEDEVORRICHTUNGS
SHAKER SHOE - 203 MEGA	SCHÜTTLER AUSLAUF - 203 MEGA
SHREDDER FAN DRIVE	SCHREDDER ANTRIEB LÜFTER
SIEVE BOX	SIEBKASTEN
SIEVE DRIVE	SIEBKASTEN ANTRIEB
SPRING LOADED DRIVE VARIATOR	FEDERBELASTETER VARIATORANTRIEB
STACKER DRIVE	STAPEL-ANTRIEB
STRAW BALER	STROH PRESSE
STRAW CHOPPER DRIVE	STROH HÄCKSLER ANTRIEB
STRAW CUTTER	STROH CUTTER
STRAW DISCHARGE	STROH ENTLADUNG
STRAW DISTRIBUTOR	STROH VERTEILER
STRAW ELEVATOR	STROH FÖRDERER
STRAW GUIDE	STROH-FÜHRUNG
STRAW SHAKER	STROH SIEBKASTEN
STRENGTHENED DRIVE	VERSTÄRKTER ANTRIEB
STRIPPER BEATER	ABSTREIFER WENDETRÖMDEL
SUCTION BLOWER	SAUGGEBLÄSE
TAILINGS AUGER AND ELEVATOR	ABRAUM SCHNECKE UND FÖDERER
TANDEM PUMP DRIVE	TANDEM PUMPE ANTRIEB
TANK UNLOADER DRIVE	ANTRIEB TANKENTLADUNG
THRESHING DRIVE	DRESCH-ANTRIEB
THRESHING DRUM	DRESCHTRÖMDEL
THROW-OUT BEATER DRIVE	AUSWURF WENDETRÖMDEL ANTRIEB
TILTED PLATFORM CHAMBER SHAFT	ANTRIEBSWELLE GENEIGTE PLATTFORM
TORQUE-SENSING COUNTERSHAFT DRIVE	DREHMOMENTERFASSUNG VORGELEGEWELLE ANTRIEB
TRACTION DRIVE	TRAKTION ANTRIEB
TRANSMISSION SHAFT	ÜBERTRAGUNGSWELLE
TRAVEL DRIVE	FAHRANTRIEB
TRESHING MACHINE	DRESCH-ANTRIEB
U-JOINT LOADING AUGER	KREUZGELENK SCHNECKENBELADUNG
UNKNOWN ENGINE	UNBEKANNTER MOTOR
UNLOADER DRIVE	ENTLADE-ANTRIEB
UNLOADING AUGER DRIVE	ENTLADE-SCHNECKE ANTRIEB
VARIABLE DRIVE FEEDER HOUSE, HIGH CAPACITY	VARIABLER ANTRIEB EINZUGSKANAL, HOHE KAPAZITÄT
VARIABLE SPEED FEEDER HOUSE DRIVE	REGELANTRIEBEINZUGSKANAL ANTRIEB
VARIATOR DRIVE	VARIATOR ANTRIEB
VENTILATOR	VENTILATOR
WATERPUMP DRIVE	WASSERPUMPE ANTRIEB
WHEEL SHAFT (FRONT)	RAD-WELLE (VORN)
WOBBLE BOX DRIVE	SCHÜTTLERKASTEN ANTRIEB

Optibelt GmbH
Corveyer Allee 15
37671 Hörter
GERMANY

T +49 5271 621
F +49 5271 976200
E info@optibelt.com



www.optibelt.com